

SAMSUNG

Portable, Compact Digital Presenter



Touchboards

205 Westwood Ave, Long Branch, NJ 07740
Phone: 866-94 BOARDS (26273) / (732)-222-1511
Fax: (732)-222-7088 | E-mail: sales@touchboards.com

Full HD Compact Digital Presenter

SDP-760

- 3Megapixels for superior quality image display
- Native Full HD (1920 x 1080) at 30fps with no latency
- Digital 8x zoom & Digital Image Rotation
- Compact footprint with flexible arm
- User scalable display outputs from XGA to Full HD at 16 : 9

Full HD Compact Digital Presenter

SDP-760

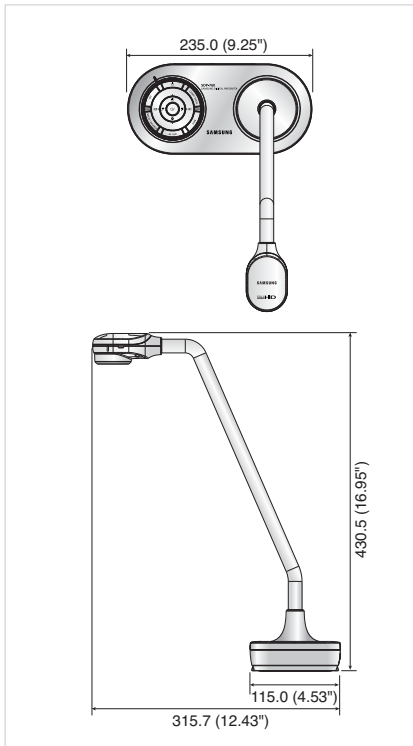


Specifications

| | | SDP-760 |
|----------------------------|-------------------------|-------------------------------------------------------------------------------------------------------|
| OPTICAL SYSTEM | | |
| Lens | | F=2.0, f=5.0mm |
| Shooting Area | | Max : 364 x 257mm (14.3" x 10.1") |
| Zoom | | 8x zoom (Digital 8x) |
| Focus | | Auto focus / Manual |
| Iris | | Auto (with fine level adjustment) |
| VIDEO | | |
| Pick-up Device | | 1/3" Progressive scan CMOS image sensor |
| Total Number of Pixels | | 2,144(H) x 1,588(V), 3.40M pixels |
| Number of Effective Pixels | | 2,096(H) x 1,561(V), 3.27M pixels |
| Frame rate | | Max. 30fps (2M) |
| VGA Output | Native Signal Output | Full HD (1,920 x 1,080) |
| | Converted Signal Output | UXGA (1,600 x 1,200), SXGA (1,280 x 1,024), WXGA (1,280 x 800) HD (1,280 x 720), XGA (1,024 x 768) |
| NTSC / PAL Video Output | | Available (NTSC / PAL) |
| Resolution | | H : 700TV lines / V : 700TV lines |
| LIGHT | | |
| Upper | | LED illumination system |
| FUNCTIONS | | |
| White Balance | | ATW / AWB (One-touch) / Manual |
| Aperture Function | | Image mode / Text mode / Custom mode |
| Noise Reduction | | Available (Low light presenter with 2D/3D NR) |
| Mask Function | | Available |
| Image Freeze | | Available |
| Image Rotation | | Available (180°) |
| USB I/F | | USB 2.0 support (UVC for Web camera, Twain driver) |
| INTERFACE | | |
| Output Port | VGA OUT | 15pin DSUB connector x 1 |
| | C-VIDEO Out | RCA connector x 1 |
| I/F Port | RS-232C | Ø3.5 Jack x 1 |
| | USB | USB type B connector x 1 (USB device port) |
| Power Port | Power Input | 5V DC In x 1 |
| ETC | | |
| Kensington Lock Hole | | Built-in (Kensington lock hole supplied) |
| Security Thread on Base | | Built-in |
| Microscope Mode | | Available [Microscope adapter supplied (Option)] |
| GENERAL | | |
| Operating Temperature | | +5°C ~ +35°C (+41°F ~ +95°F) |
| Operating Humidity | | less than 90% RH |
| Power | | 5V DC (Adaptor input : 100V ~ 240V AC free voltage, 50/60Hz, output : 5V DC, 2.2A) |
| Dimensions (WxHxD) | In-use | 235.0 x 430.5 x 115.0 (9.25" x 16.95" x 4.35") |
| | Off-use | 235.0 x 115.0 x 290.0 (9.25" x 4.35" x 11.42") |
| Weight | | 2.4Kg (5.29 lb) |
| Accessories | Supplied Accessories | USB cable, VGA cable, AC adapter, CD (Software, Manual) |
| | Optional Accessories | Microscope adapter, RS-232C cable |

Dimensions

Unit : mm (inch)



The Eco mark represents Samsung Technwin's will to create environment-friendly products, and indicates that the product satisfies the EU RoHS Directive.

Design and specifications are subject to change without notice.

Touchboards

205 Westwood Ave, Long Branch, NJ 07740
 Phone: 866-94 BOARDS (26273) / (732)-222-1511
 Fax: (732)-222-7088 | E-mail: sales@touchboards.com