

SZ Stereo Zoom Binocular Microscopes

SERIES Our most advanced microscope systems. Highly configurable binocular suitable for a wide-range of applications.

SCIENSCOPE
We Sell Solutions.

T  **USA**
Equipment
.NET

205 Westwood Ave
Long Branch, NJ 07740
1-877-742-TEST (8378)
Fax: (732) 222-7088
salesteam@Tequipment.NET

Proven durability and safety.

The newly redesigned SZ series microscope from SCIENSCOPE. High performance and time-tested construction that provides years of service with modest investment.

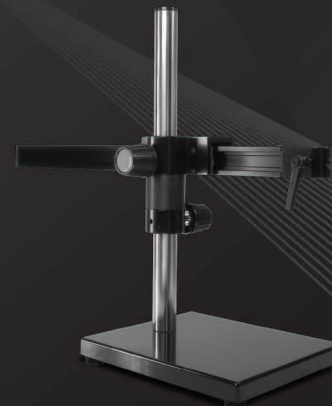
System Specifications

Eyeieces Inclination:	45°
Dioptric Adjustment:	±5
Zoom Range:	0.67x - 4.5x
Zoom Ratio:	6.7:1
Interpupillary Adjustment:	50 - 76mm



8 point LED Ring Light

- UV Free
- 8-points high quality LED light
- Adjustable/dimming control
- Optimum angle for even distribution of light



Rugged & Smooth Gliding Boom Stand

- Precision light weight rail assembly
- Smooth fluid horizontal movement
- Clean room version available
- 9" verticle extension post available



Solid Construction

- Ergonomic Styled Body
- Lock-in eyepieces for factory environments
- Larger zoom knobs
- Trinocular version available



ACCESSORIES



LED Ring Light 2.4" ID IL-LED-R2E

- UV Free
- 8-points high quality LED light
- Adjustable/dimming control
- Optimum angle for even distribution of light
- Luminosity/brightness: 2.2 kfc (thousand foot candles)
- Color temperature: 6000k~7000k (cool white light)
- Inner diameter: 2.4"

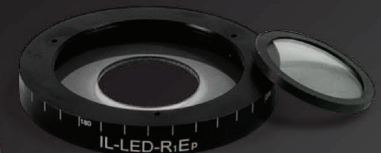


Polarizer for IL-LED-R2E IL-LED-R2EP



LED Ring Light 1.6" ID IL-LED-R1E

- UV Free
- 6-points high quality LED light
- Adjustable/dimming control
- Optimum angle for even distribution of light
- Luminosity/brightness: 1.9 kfc (thousand foot candles)
- Color temperature: 6000k~7000k (cool white light)
- Inner diameter: 1.6"



Polarizer for IL-LED-R1E IL-LED-R1EP

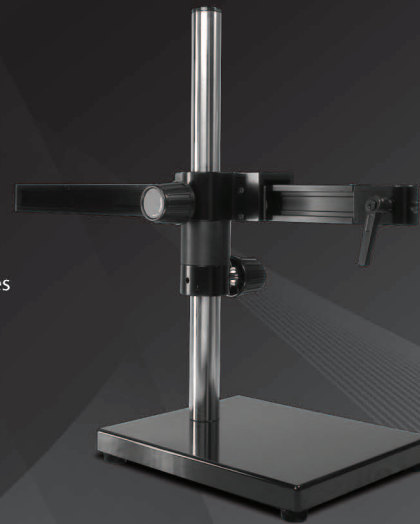


LED Illuminator IL-FOI-L24

- Noise free; no cooling fan to generate noise
- Smaller footprint; use less desktop space
- Compatible with most fiber optic cables or guides
- Life: 10,000 hrs
- Color temperature: 6000~7000k
- LED power: 24W
- Filters available: Yellow, Red, Blue



Polarizer for Fiber Optic Annular Ring Light IL-AN-PLRZ



Gliding Boom Stand SB-BM2-R0

- Precision light weight rail assembly
- Smooth fluid horizontal movement
- Clean room version available
- 9" verticle extension post available
- Horizontal arm length: 20"
- Vertical post height: 12"
- Base dimension: 9.5"W x 11.25"D x 1"H
- Mounting dowel ID: 5/8" diameter



Dual LED Illuminated Track Stand CMO-ST-L2

- Dual illumination LED top and bottom light with adjustable intensity
- Rack and pinion focusing
- Fine focus available

Tequipment
.NET



205 Westwood Ave
Long Branch, NJ 07740
1-877-742-TEST (8378)
Fax: (732) 222-7088
salesteam@Tequipment.NET

emarks of Microsoft Corporation in the United States and/or other countries.

RECYCLE, REDUCE, REUSE
PRINTED IN U.S.A.

