



MODEL AN-STWM20

**INSTALLATION INSTRUCTIONS FOR SHORT THROW PROJECTOR
WALL MOUNTING BRACKET FOR USE WITH SHARP PROJECTOR
MODEL NOS. PG-F267X, PG-D2870W**



**AN-STWM20 SHORT THROW
WALL MOUNTING BRACKET
WITH EXTENSION**




COLOR: WHITE





Touchboards

205 Westwood Ave, Long Branch, NJ 07740
Phone: 866-94 BOARDS (26273) / (732)-222-1511
Fax: (732)-222-7088 | E-mail: sales@touchboards.com

INSTALLATION INSTRUCTIONS

	C A U T I O N
<p>INSTALLATION OF THIS ADJUSTABLE WALL MOUNTING BRACKET SHOULD BE PERFORMED BY QUALIFIED SERVICE/ INSTALLATION PERSONNEL FOLLOWING THE INSTALLATION INSTRUCTIONS INCLUDED WITH THIS BRACKET</p>	

	<p>THE EXCLAMATION POINT WITHIN AN EQUILATERAL TRIANGLE IS INTENDED TO ALERT THE USER TO THE PRESENCE OF IMPORTANT OPERATING AND MAINTENANCE (SERVICING) INSTRUCTIONS IN THE LITERATURE ACCOMPANYING THE APPLIANCE.</p>
---	---

 **IMPORTANT! THE INSTALLER SHOULD READ THESE INSTRUCTIONS THOROUGHLY BEFORE BEGINNING THE INSTALLATION AND SHOULD MAKE SURE THAT ALL THE WORK IS DONE IN COMPLIANCE WITH NEC AND ALL LOCAL BUILDING AND SAFETY CODES. SAVE THIS BOOKLET AFTER THE INSTALLATION IS COMPLETED. THE ACCESSORIES REFERRED TO IN THESE INSTRUCTIONS ARE INTENDED FOR USE ONLY WITH COMPATIBLE SHARP PROJECTORS. SEE SHARP PROJECTOR OWNER’S MANUAL OR SHARP DEALER TO DETERMINE SUITABILITY.**

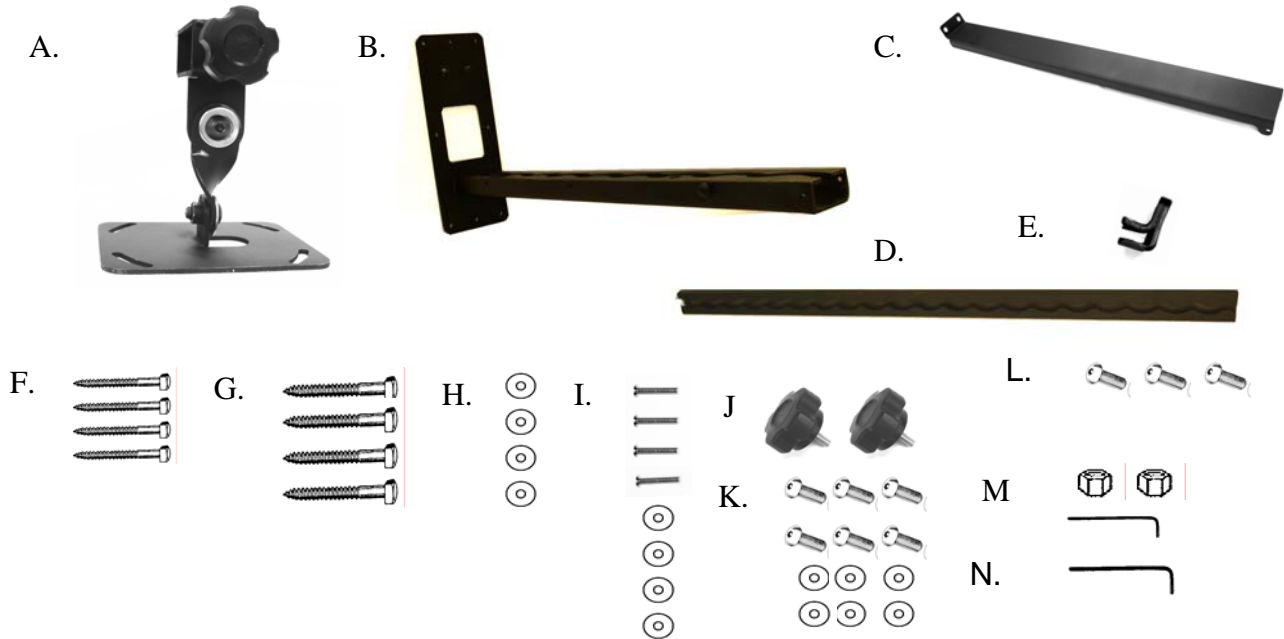
 **CAUTION: THE BRACKET MOUNTING SCREWS MUST GO DIRECTLY INTO THE BEAMS. SHEETROCK, LATH AND PLASTER, WILL NOT PROVIDE A SUFFICIENTLY SECURE SUPPORT.**

 **CAUTION: TO REDUCE THE RISK OF PERSONAL INJURY, USE ONLY THE COMPONENTS WHICH ARE INCLUDED IN THIS PACKAGE, OR SPECIFIED IN THESE INSTRUCTIONS.**

**PARTS LIST FOR MODEL AN-STWM20
SHORT THROW PROJECTOR WALL MOUNTING BRACKET (SEE FIG. 1)**

ITEM	DESCRIPTION	QUANTITY
A.	MOUNTING TWIST ASSEMBLY FOR ATTACHMENT TO BOTTOM OF PROJECTOR INCLUDES DUAL POSITIONING ASSEMBLY	1
B.	MAIN WALL MOUNTING BRACKET ASSEMBLY WHICH INCLUDES OUTER EXTENSION TUBE	1
C.	DIAGONAL BRACE	1
D.	INNER EXTENSION TUBE	1
E.	END STOP FOR INNER EXTENTION TUBE	1
F.	1/4 X 10 HEX HEAD LAG BOLTS 2-1/2” LONG	4
G.	1/4 X 10 HEX HEAD LAG BOLTS 3” LONG	4
H.	1/4” I.D. WASHERS FOR USE WITH LAG BOLTS	4
I.	M4X10 SCREWS AND WASHERS FOR USE WITH PROJECTOR ATTACHMENT PLATE	4
J.	1/4-20 X 1/2” KNOB	2
K.	1/4-20 X 1/4” BUTTON HEAD SOCKET CAP SCREW WITH WASHERS (BLACK) FOR EXTENSION TUBE	6
L.	1/4-20 X 5/16” BUTTON HEAD SOCKET CAP SCREW FOR DIAGONAL BRACE AND END STOP	3
M.	1/4-20 NYLON CAP NUTS	2
N.	5/32 AND 7/32 ALLEN WRENCHES	2

FIGURE 1. ILLUSTRATION OF PARTS FOR WALL MOUNTING BRACKET



INVERT THE PROJECTOR IMAGE

Please refer to the owners manual for your LCD Projector for detailed instructions of how to electrically invert the projected image to accommodate its use in the wall mounted mode.

LOCATION OF THE WALL MOUNTING BRACKET

Please refer to the owner’s manual for your SHARP LCD PROJECTOR for information which will help you to determine the best location for the placement of the wall mounting bracket assembly.

INSTALLATION OF THE WALL MOUNTING BRACKET

After you have determined the appropriate location for the bracket, you must locate the exact location of the wall studs. Most standard residential construction uses 16 inches between centers for wall studs. You can mount the bracket in line with a single beam.

CAUTION: THE BRACKET MOUNTING SCREWS MUST GO DIRECTLY INTO THE STUDS. SHEETROCK, LATH AND PLASTER, WILL NOT PROVIDE A SUFFICIENTLY SECURE SUPPORT.

FOR WALLS MADE OF CEMENT BLOCK, BRICK OR SOLID MASONRY, EXPANSION ANCHORS SHOULD BE USED.

INSTALLATION INSTRUCTIONS

STEP 1. ATTACH THE MOUNTING ASSEMBLY TO THE BOTTOM OF THE PROJECTOR.

- 1.1 Place the flat surface of the 4 1/4" x 5 3/8" plate against the bottom of the Projector with the "U" shaped cut out toward the rear of the projector.
See Fig. 2
- 1.2 Align the plate so that the four crescent shaped mounting slots are over the threaded holes in the bottom of the projector.
- 1.3 Install the four M4x10 mounting Screws and washers. See Fig. 2. DO NOT TIGHTEN. These slots will be used to adjust the horizontal positioning of the image on the screen during final set up.

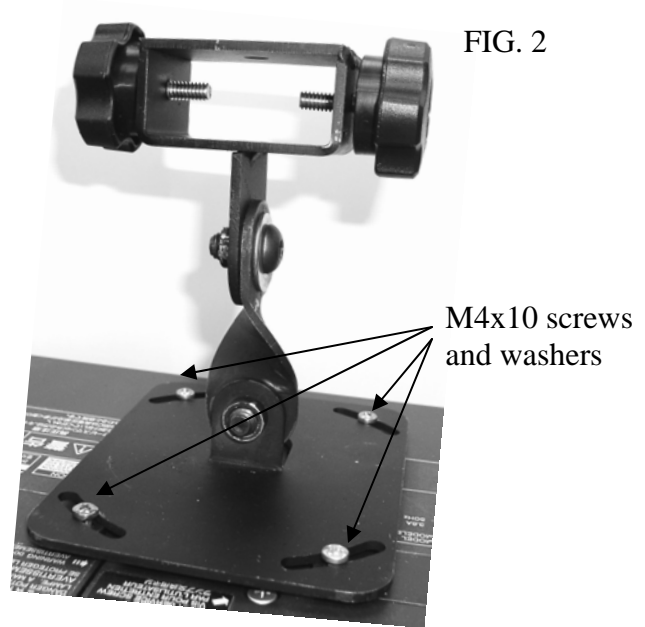


FIG. 2

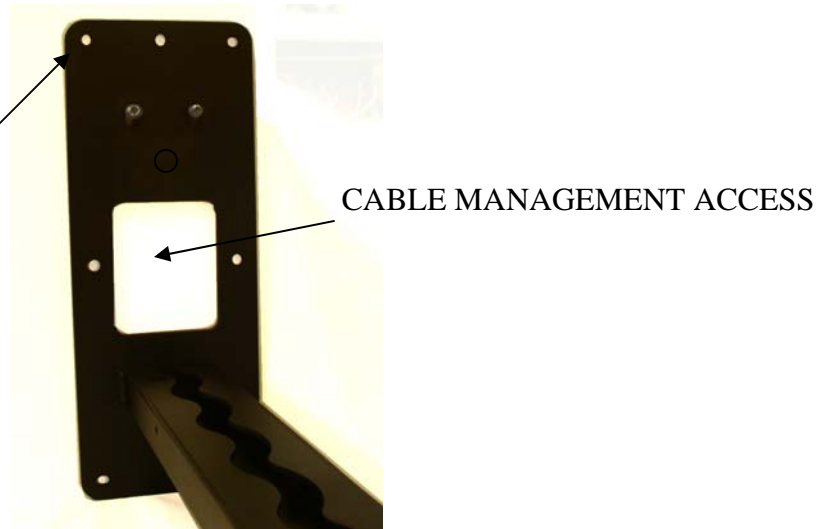
STEP 2. ATTACH THE WALL BRACKET TO THE WALL. (REFER TO THE PROJECTOR OWNERS MANUAL FOR INFORMATION HELPFUL IN LOCATING THE PROPER LOCATION FOR MOUNTING THE SUPPORT BRACKET.)

- 2.1.1 Use the bracket as a template to mark the location where the pilot holes should be drilled.
- 2.1.2 Drill the holes for the support screws using a 1/8" (.125 inch) drill bit into the center of the stud.
- 2.1.3 Screw the bracket to the studs. Use at least 4 hex head screws supplied with the unit. These screws should be tightened firmly to insure a vibration free support.

Note: Two sizes of hex head lag bolts are provided. Use shorter screws for sheetrock surfaces and use the longer screws for walls constructed of wood lath and plaster.

CAUTION: THE BRACKET MOUNTING SCREWS MUST GO DIRECTLY INTO THE STUDS. SHEETROCK OR LATH AND PLASTER ALONE WILL NOT PROVIDE A SUFFICIENTLY SECURE SUPPORT. IF THE WALL IS CEMENT BLOCK, BRICK OR SOLID MASONRY, EXPANSION ANCHORS SHOULD BE USED.

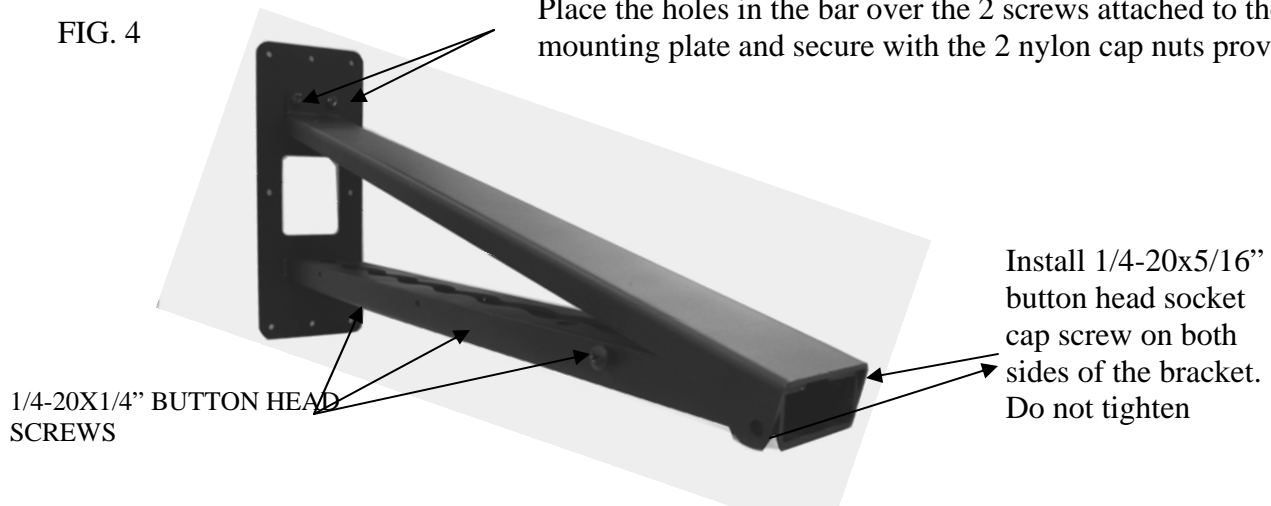
FIG. 3
WALL MOUNTING PLATE
MOUNT ONTO WALL
USING HEX HEAD BOLTS
PROVIDED



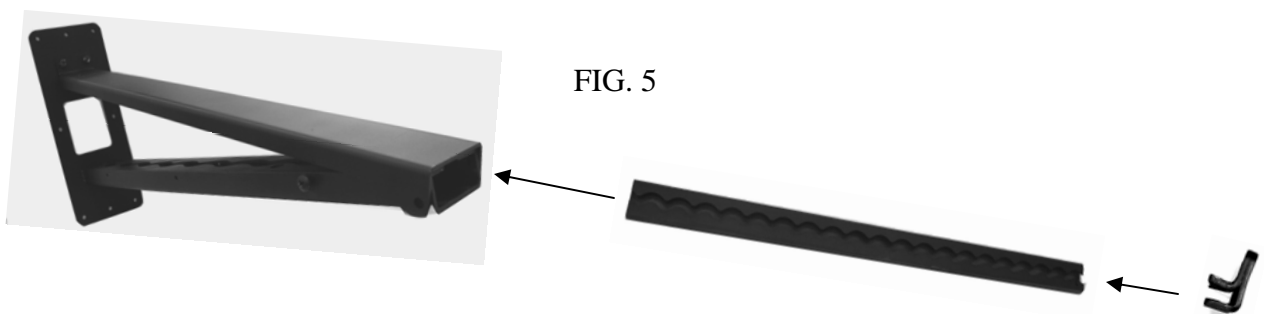
- 2.2 Note that the mounting plate has a rectangular hole intended to facilitate wire and cable management if the wiring is fed through the wall.
- 2.3 Attach the upper support bar to the wall mounting bracket.

FIG. 4

Place the holes in the bar over the 2 screws attached to the wall mounting plate and secure with the 2 nylon cap nuts provided.



- 2.4 Press on the stop button in order to slide the long inner slide tube into the outer slide tube. The stop has two positions, one nearer the wall and one at the furthest extension. The 1/4-20 side button head screws must be backed out far enough in order to slide the inner tube into the outer tube.



INSTALLATION INSTRUCTIONS

- 2.5 Tighten the button head screws on both sides of the extension tube after you have set the desired length. See Figure 5.

STEP 3. HANG THE PROJECTOR

- 3.1 Hang the projector on the long inner slide tube by sliding the rectangular sleeve over the long tube.
- 3.2 Slide the sleeve forward over the long tube to the desired position and secure it with the two knobs on either side of the sleeve.
- 3.4 Insert the stop onto the end of the long tube and secure with the 1/4-20x5/16" screw provided.

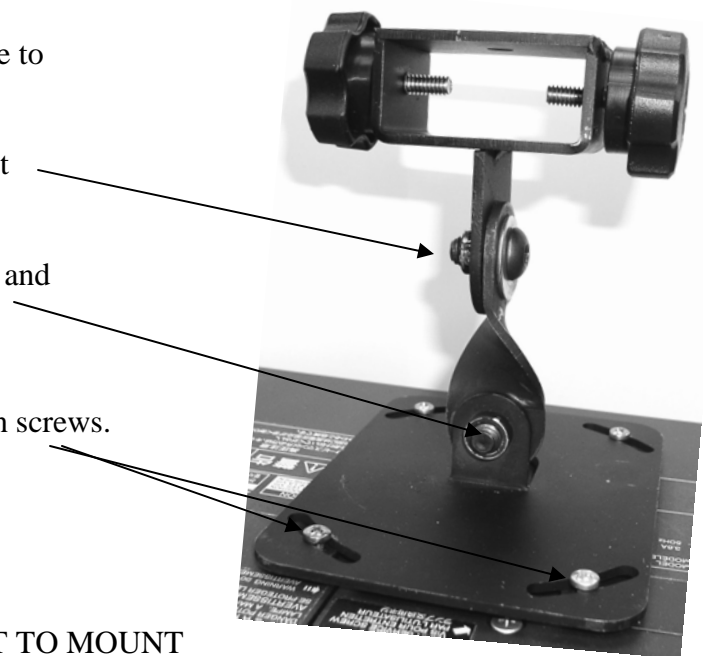
STEP 4. ATTACH ALL CABLES AND POWER CORD

4. Tuck all the wires into the zig-zag slot on the topside of the long tube.

FIG. 6

STEP 5. FINAL POSITIONING ADJUSTMENTS.

- 5.1 Slide the projector assembly along the tube to adjust the size of the image on the screen.
- 5.2 Loosen screw "A" FIG. 6, to adjust and set vertical positioning, tighten screw
- 5.3 Loosen Screw "B" to adjust horizontal tilt and tighten screw.
- 5.3 Use the four mounting screws and slots to adjust horizontal positioning and tighten screws.



SPECIAL NOTE: IN THE EVENT YOU WANT TO MOUNT THE PROJECTOR CLOSER TO THE WALL THAN THE LONG TUBE WILL ALLOW, YOU CAN REMOVE THE SCREWS FROM THE FAR END OF THE UPPER SUPPORT BRACKET AND SLIDE THE SLEEVE ON THE TOP OF THE PROJECTOR MOUNTING ASSEMBLY ON TO THE OUTER TUBE. (THE RECTANGULAR SLEEVE IS LARGE ENOUGH TO ACCOMMODATE THIS). RE-INSTALL THE SCREWS AND POSITION THE PROJECTOR TO THE DESIRED CLOSER LOCATION.



SHORT THROW PROJECTOR WALL MOUNTING BRACKET
WITH PROJECTOR MOUNT ASSEMBLY
SPECIFICATIONS SUBJECT TO CHANGE WITHOUT NOTICE

- A. From bottom of extension tube to top of projector 5"
- B. From bottom of extension tube to center of lens 7 1/4"
- C. From mounting plate to end of attached outer tube 23 5/8"
- D. From mounting plate to end of inner tube fully extended 64 1/8"
- E. Weight of wall mounting bracket with projector mount 17#
- F. Projector mounting screws M4x10mm long metric.

COLOR: WHITE

ONE YEAR LIMITED WARRANTY

AVDEX Corporation warrants to the first end use purchaser, that this AVDEX brand product (the "Product"), when shipped in its original container, will be free from defective workmanship and materials, and agrees that it will, at its option, either repair the defect or replace the defective product or part thereof at no charge to the purchaser for parts or for labor, excluding costs of removal and/or installation, for one year from date of purchase.

This warranty does not apply to any appearance items of the Product nor to any Product the exterior of which has been damaged or defaced, which has been subject to misuse, abnormal service or handling, or which has been altered or modified in design or construction. In order to avail the purchaser of his/her rights under this limited warranty, the purchaser should carry in or ship the Product prepaid and insured, including proof of purchase, to: AVDEX Corporation, 115 Henry Street, Freeport, NY 11520.

The limited warranty described above is in addition to whatever implied warranties may be granted to purchasers by law. To the extent permitted by applicable law ALL IMPLIED WARRANTIES INCLUDING THE WARRANTIES OF MERCHANTABILITY AND FITNESS FOR USE ARE LIMITED TO THE PERIOD(S) FROM THE DATE OF PURCHASE SET FORTH ABOVE. Some states do not allow limitations on how long an implied warranty lasts, so the above limitation may not apply to you.

Neither the sales personnel of the seller nor any other person is authorized to make any warranties other than those described above, or to extend the duration of any warranties beyond the time period described above on behalf of AVDEX.

The warranties described above shall be the sole and exclusive warranties granted by AVDEX and shall be the sole and exclusive remedy available to the purchaser. Correction of defects, in the manner and for the period of time described herein, shall constitute fulfillment of all liabilities and responsibilities of AVDEX to the purchaser with respect to the Product, and shall constitute full satisfaction of all claims, whether based on contract, negligence, strict liability or otherwise. In no event shall AVDEX be liable, or in any way responsible, for any damages or defects in the Product which were caused by repairs or attempted repairs performed by anyone other than AVDEX. Nor shall AVDEX be liable or in any way responsible for incidental or consequential economic or property damage. Some states do not allow the exclusion of incidental or consequential damages, so the above exclusion may not apply to you.

THE WARRANTY GIVES YOU SPECIFIC LEGAL RIGHTS. YOU MAY ALSO HAVE OTHER RIGHTS WHICH VARY FROM STATE TO STATE.

Specifications are subject to change without notice.

AVDEX CORPORATION, 115 HENRY STREET. FREEPORT, NEW YORK 11520

