

# SHIMPO'S TNP Digital Torque Meter

**2 YEAR  
WARRANTY!**



*Torque Testing Instrument for Medical, Pharmaceutical and Industrial Quality Control, R&D and countless torque applications*

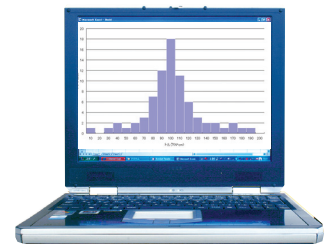
The new Shimpo TNP torque meter is a precision instrument for measuring OPEN and CLOSE torque values for various applications. As a cap torque analyzer, the TNP repeatedly determines bottle closure and breakaway torque. It's wide memory capacity is capable of storing 1,000 data points. In addition to Average, Maximum and Minimum values. A HI-GO-LO comparator feature can be utilized for large batch testing to ensure overall product quality.

The TNP torque meter is USB capable for easy PC/Software interface. Combined with the free "Digitorg" Software, statistical testing and analysis can be performed.

The TNP is a portable device powered with internal rechargeable batteries or thru a universal AC adapter/charger. Designed with a small footprint it can easily be transferred between the shop floor and laboratory.

## FEATURES & BENEFITS

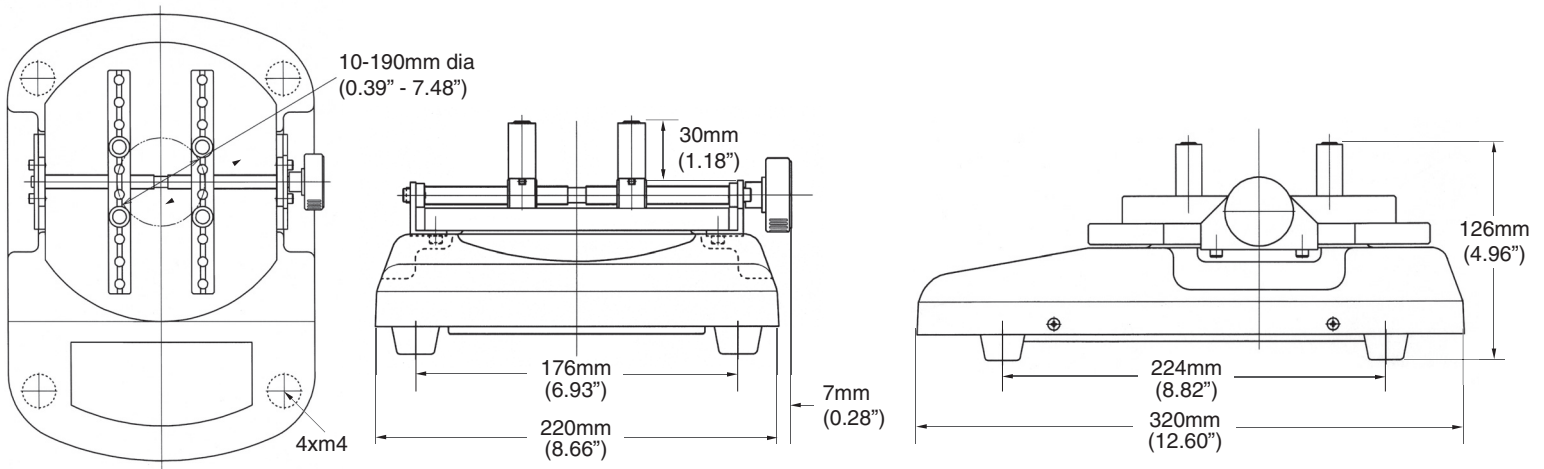
|                                    |  |
|------------------------------------|--|
| <b>High Accuracy</b>               | ± 0.5% F.S. to ensure precise results                                      |
| <b>Wide Torque Range</b>           | 0.5Nm, 2Nm, 5Nm and 10Nm models to meet a wide variety of applications     |
| <b>Adjustable Sample Size</b>      | Quick and easy setup takes just seconds                                    |
| <b>Test Memory</b>                 | One touch operation, stores up to 1000 measurements & resets for next test |
| <b>Variable Units of Measures:</b> | Displays Torque values in, Lbin, Kgcm, Nm, Ncm                             |
| <b>Large Digital Display</b>       | Easy to read L.C.D.  |
| <b>PC Output</b>                   | USB interface with add in "Digitorg" software for Microsoft Excel          |
| <b>Flexible Power</b>              | Rechargeable NiMH batteries and 120 / 240 VAC AC adapter                   |
| <b>Selectable Measuring Modes</b>  | Captures Average and Peak Opening and Peak Closing torque values (CCW, CW) |
| <b>Portable</b>                    | Small foot print, compact, space saver design                              |



**Free Digitorg Software  
with Graphing Capability.  
Data logging**



**TNP Digital Torque Meter  
Shown checking gear  
head torque**



## SPECIFICATIONS

### TNP- XX Series Digital Torque Tester w/USB interface

| TNP Models                                | TNP-0.5   | TNP-2  | TNP-5               | TNP-10              |
|---|---|--|---------------------|---------------------|
| Measuring units                           | Ncm, mNm, gcm, lbin   | Nm, Ncm, Kgcm, Lbin  | Nm, Ncm, Kgcm, Lbin | Nm, Ncm, Kgcm, Lbin |
| Measuring range                           | 0-50.00 Ncm   | 0-2.000 Nm   | 0-5.00 Nm           | 0-10.00 Nm          |
|   | 0-500.0 mNm   | 0-200.0 Ncm  | 0-500.0 Ncm         | 0-1000 Ncm          |
|   | 0-5099 gcm  | 0-20.39 Kgcm   | 0-50.99 Kgcm        | 0-102.0 Kgcm        |
|   | 0-4.425 lbin  | 0-17.70 Lbin   | 0-44.25 Lbin        | 0-88.5 Lbin         |
| Overload protection / Percentage overload | 150% of full scale  |  |                     |                     |
| Sample diameter range                     | Φ 10 - 190 mm ( 0.39 " - 7.48" )  |  |                     |                     |
| Overload display                          | Display "OVR" at sub display of LCD, blinking LED   |  |                     |                     |
| Display                                   | Main display  | 4-digit LCD display Character height 12mm  |                     |                     |
|   | Sub display   | 3-digit LCD display Character height 7mm   |                     |                     |
|   | Comparator Display  | HI - GO - LO (green and red LED indicator)                                       |                     |                     |
| Accuracy                                  | ± 0.5% Full Scale   |  |                     |                     |
| Measuring                                 | Opening mode  | Show max value when opening (peak display) Displays max counterclockwise torque. |                     |                     |
|   | Closing mode  | Show max value when closing (peak display) Displays max clockwise torque.        |                     |                     |
|   | Average mode  | Real time display (average value display) Displays torque in real time.          |                     |                     |
| Display Update Time                       | Select from 0.125 second (8 times/second), 0.25 second (4 times/second), 0.5 second (2 times/second), 1 second(1 time/second). Peak display: 0.125 second |  |                     |                     |
| Sampling Rate                             | 1000 times/second   |  |                     |                     |
| Memory                                    | Memory data number  | 1000 data (max)  |                     |                     |
|   | Statistical process   | Average value, max value, min value  |                     |                     |
| Data output                               | USB1.1  |  |                     |                     |
| PC software                               | Digitorq software   |  |                     |                     |
| Standard Accessories                      | USB cable, 120/240 VAC AC adapter, 30mm chuck pin (4pcs), Manual  |  |                     |                     |
| Optional Accessories                      | Torque pins available: 30mm (4pcs) TNP-TP30, 50mm (4pcs) TNP-TP50   |  |                     |                     |
| Power                                     | Built in nickel hydride battery or Auto-ranging AC adapter (AC100 - 240V)   |  |                     |                     |
| Dimensions L x W x H mm/ (in)             | 320 x 227x 126 (12.60" x 8.94" x 4.96" )  |  |                     |                     |
| Shipping weight                           | 8 kg (17.62lb)  | 8 kg (17.62lb)   | 8 kg (17.62lb)      | 12.5 kg (27.53lb)   |
| Operation environment                     | 0 - 40 degree C / 32 - 104 degree F   |  |                     |                     |
| Certifications                            | CE approval   |  |                     |                     |
| Battery Type/Battery Life                 | NiMH / 8 hours after full charge  |  |                     |                     |
| Battery Recharge Time                     | Max. 16 hours   |  |                     |                     |

## DISTRIBUTED BY



**205 Westwood Ave**  
**Long Branch, NJ 07740**  
**1-877-742-TEST (8378)**  
**Fax: (732) 222-7088**  
**salesteam@Tequipment.NET**