

# JAVELIN Series Digital Force Gauges

## Models FGE-200HX - 500HX

## Models FGV-200HX - 500HX

# INSTRUCTION MANUAL



Congratulations on your purchase of a Shimpo FGE/V-HX series digital force gauge. We trust you will enjoy many years of professional results from your Shimpo product.

Please read the entire instruction manual thoroughly before initial set-up and operation; the information contained herein will aid you in operating your Shimpo digital force gauge safely and with excellent results.

If you have any questions regarding our product(s), call your local Shimpo representative or contact Shimpo Instruments directly for assistance.

## Inspection/Standard Accessories

If upon delivery shipping damage is detected, do not operate the unit. Notify shipping carrier immediately for damage claim instructions. Refer to nameplate and record serial number for future reference. Items included with the JAVELIN series are:

- (1) Carrying case
- (1) Standard adapter set (hook, chisel, flat head, notched head, cone head, extension rod)
- (1) Inch adapter (metric - English thread)
- (1) Hanger
- (1) RS-232C cable (FGV-HX series only)
- (2) Knurled steel handles
- (1) AC charger/adapter

## Features and Benefits

Shimpo's JAVELIN series digital force gauges offer many features and benefits, including:

- 1,000 Hz update rate for capturing highest peaks
- Rugged die-cast aluminum construction provides exceptional durability for the harshest environments
- Ergonomically designed for easy, hand held use
- Single touch, measure force in lb, Kg and N engineering units
- When gauge is placed on a test stand or if the hanger is used, display may be reversed with push buttons so that it can be read right side up.
- High accuracy (  $\pm 0.2\%$  F.S. ) is ideal for QC inspection and process control
- RS-232C and analog output (FGV-HX series only)
- Inch adapter for converting the Metric thread sensor shaft to an English thread.

## Safety Precautions



Do not operate or store instrument in the following places: explosive areas; near water, oil, dust, or chemicals; areas where temperature is above 104°F (40°C).

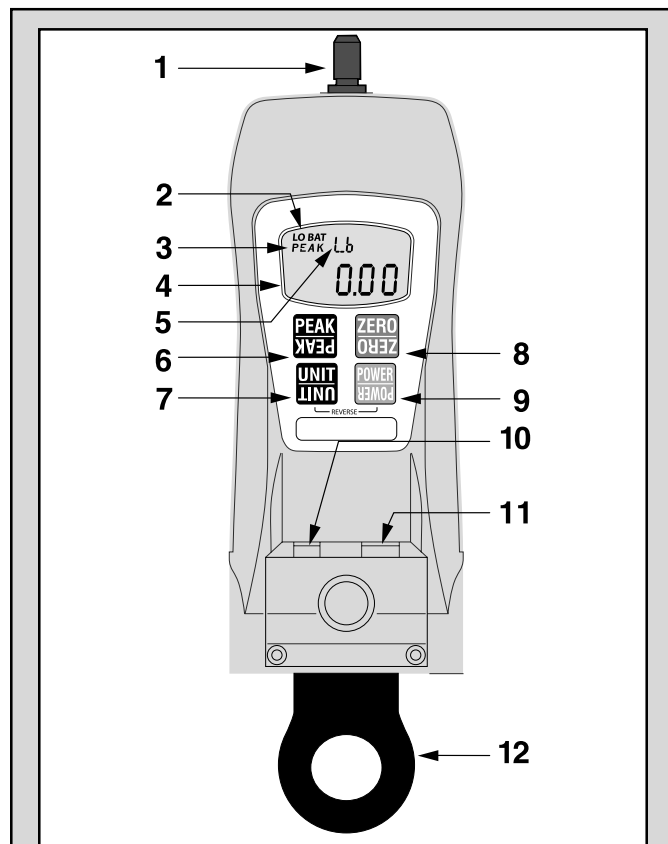


When not in use, place gauge back in its case to prevent damage due to accidental drop etc. With a little care you can have an instrument that will provide service for many years.



Do not disassemble or repair unit while in operation.

## Physical Features



NO.	DESIGNATION
1.	Sensor Shaft
2.	Low Battery Indicator
3.	Peak Indicator
4.	Main Display
5.	Small Display
6.	Peak Button
7.	Unit Button
8.	Tare and Zero Button
9.	Power (ON, OFF) switch
10.	AC Adapter Port
11.	Data Output Port (FGV-HX only)
12.	Hanger

## Factory Setting

The FGE/V-HX will revert to factory setting when the gauge is first powered on. Consult the "Function Setting" section to customize these default settings.

The following chart reflects the default settings as programmed by the factory:

FUNCTION NUMBER	DESCRIPTION	DEFAULT FACTORY SETTING
f01	Plus or Minus sign	0001 (plus for compression)
f02	Display update time	3 (3 times/sec)
f03	Auto power off	10 (min)
f04	Baud rate of RS-232C	2400 (bps)

## Operation

1. Charge the batteries for approximately 18 hours before using the gauge (Batteries come discharged from the factory). The BAT indicator is on when batteries are charging, off when the batteries are fully charged.
2. Hand tighten appropriate attachment to unit's measuring shaft (do not use a wrench or any other device to tighten the attachment).
3. Press POWER and release. The unit will display model name in small display and capacity in main display and then will show some zeros with the last one or two digits changing to some random numbers. Also the unit of measurement (lb, Kg or N) will appear above the digits and stay as long as the instrument is on.

### Change Display Units

To change the display units, just press UNIT and the units will change every time the button is pressed.

lb → N → Kg →

### Reverse the Display

If unit is used with the hanger or mounted on a test stand and the display must be reversed, follow this procedure:

1. Press POWER and hold it; display will go blank.
2. Press and hold UNIT.
3. Release POWER while you are still holding UNIT; display is still blank.
4. Press POWER once more and release it while still holding UNIT. At this point you should see the display reversed.
5. Release UNIT; the display stays in that mode.

To go back to normal mode repeat steps 1 through 5.

### Select Average or Peak

If you want to measure force in real time (average) the display will show only the digits and units of the force being measured. If you want to measure "peak" force:

1. Press PEAK; the word PEAK will appear in the upper left corner of the display. (If you need a minus peak, press PEAK again.)
2. The display will freeze after capturing the peak force.
3. Press ZERO to cancel previous peak and continue with your tests.

If you want to go back to average mode press PEAK again. The word PEAK will disappear from the display.

**NOTE:** It is very important that you measure forces (tension or compression) that are in line with the measuring shaft and not at any angle (see figure 1). Failure to observe this directive will damage the instrument. Also, after the gauge is positioned and ready to take a measurement (with the proper attachment in place) tare the unit by pressing ZERO. To clear the display for another measurement (in PEAK mode), press ZERO.

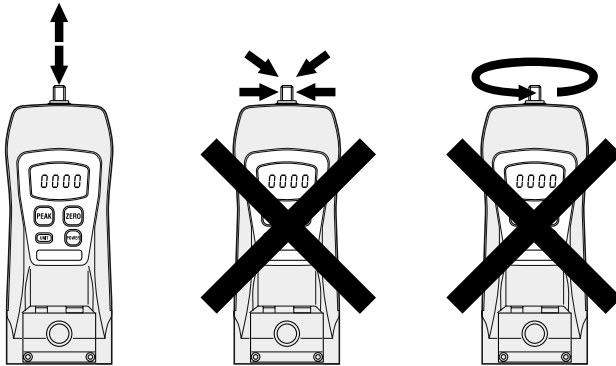


Figure 1

**Tension Measurement**

To measure tensile force, use the hook attachment. The display will show the force measured and a minus sign (-) will appear on the left of the display (to the left of the digits).

**NOTE:** To display no sign (plus) for tensile force, consult the "Function Setting" section.

**Compression Measurement**

To measure compression force, use the flat head attachment. No sign will appear on the left of the display during a compression measurement.

**NOTE:** To display minus sign (-) for compression force, consult the "Function Setting" section.

**Low Battery**

When battery charge is low, LO BAT will appear on the display indicating the batteries need to be charged. Charging time of fully depleted batteries is approximately 18 hours when the unit is off. The adapter/charger automatically shuts off when the battery is at full charge to protect the battery.

**NOTE:** The adapter/charger can be used to power the unit during battery charging, but will lengthen charging time.

**Auto Power Off**

If the gauge is on and there is no activity for 10 minutes, the unit automatically powers off to conserve battery charge. PWR appears above the display digits to notify that there is 1 minute before power off. If the adapter/charger is powering the gauge, auto power off function becomes inactive.

**NOTE:** To modify the auto power off function, consult the "Function Setting" section.

**External Device Communications**

When operated with the appropriate output cable, the FGV-HX offers output capabilities.

**Overload**

Caution should be exercised that overloads do not occur; sensor damage can result. To protect the gauge and sample under test when used with a motorized stand (or similar device), two built-in OC NPN transistors stop motion when the gauge reaches 120% of its rated capacity. One transistor is for tension, the other for compression (figure 2).

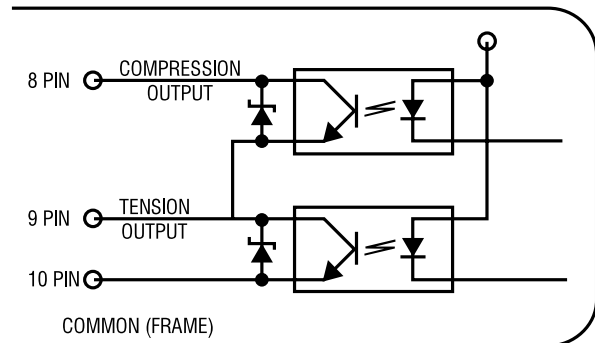


Figure 2

**Analog Output**

An analog output signal is available for recording purposes. The amplitude of this signal is ± 1 VDC. The voltage is positive when compression testing is performed and negative for tension. The signal characteristics are as follows:

<b>Amplitude</b>	± 1 VDC
<b>Generated by</b>	12-bit D/A converter
<b>Signal update</b>	100 times/sec (update every 10 msec)
<b>Load impedance</b>	10 KΩ minimum
<b>Connector pins</b>	Pin #1 signal output (analog) Pin #2 GND (analog)

(see Fig.3 & Table 1)

**NOTE:** When the zero switch is pressed to tare the gauge the analog output goes to 0V automatically.

## RS-232C Port

An important feature of the FGV-HX family of gauges is the RS232C communications port. Data and commands can be linked to a PC or any other device responding to RS232C signals for storage or further analysis. Table 1 (below) describes the function of each pin of the connector (HR12-10RC-10SDL) shown in Figure 3.

PIN#	DESCRIPTION
1	Analog signal output
2	Analog GND
3	Receive data (input)
4	Digital GND
5	Communication enable
6	Transmit data (output)
7	No connection
8	Compression overload output
9	Tension overload output
10	Frame GND

Table 1

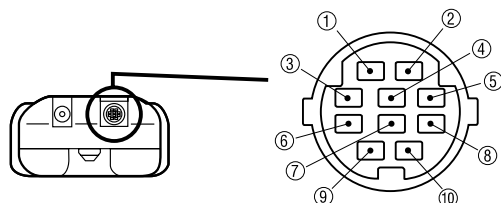


Figure 3  
(HR12-10RC-10SDL), HIROSE

### RS232C Output Specifications

Baud rate	2400, 4800, 9600, 19200 bps (selectable)
Data length	8 bits
Parity	None
Stop bit	One

## Commands/Responses

The FGV-HX series of force gauges has the ability to recognize and respond to various commands from outside peripherals. If for instance the gauge receives a legitimate command from a PC, it will respond by sending back the same code indicating to the PC that the command was recognized. If for example the command is a request for average data output, it will send the data and the code NA etc. If the gauge recognizes an error while it is receiving a command, an error symbol is transmitted back to the PC indicating the exact nature of the error.

### Commands to FGV-HX Gauge

AAcr	Tare
ABcr	Stop output
ACcr	Change to peak mode
ADcr	Change to average mode
AEcr	Peak reset
AFcr	Change units to Kg (g)
AGcr	Change units to N
AHcr	Change units to lb (oz)
BAcr	Data output request (single reading)
BBcr	Continuous data output request (10 times/sec)
BB1cr	Continuous data output request (20 times/sec)
BB2cr	Continuous data output request (50 times/sec)
BB3cr	Continuous data output request (100 times/sec)
BCcr	Model name confirmation request
BDcr	Units confirmation request
BEcr	Peak data output request
BFcr	Minus Peak data output request
cr	(cr: carriage return)

### Response from FGV-HX gauge

NA□□□□□cr	Average data output
NB□□□□□cr	Peak data output
	4-digit number with decimal point
	sign (+ or -)
NE□□cr	Model number
	0A = FGV-200HX
	0C = FGV-500HX
NH□cr	Unit
	0 = N
	1 = Kg
	2 = lb

### Error Symbols

OBcr	Command error
OEcr	Parity error
OFcr	Format error
OGcr	Summing error
OHcr	Overrun error





# Troubleshooting

The following are general checkpoints; please call your local Shimpo representative or contact Shimpo Instruments directly for further assistance.

The force gauge does not come on:

- Check all electrical components (power source, charged battery or AC adaptor connected)

The stand does not recognize the RS232 output/input:

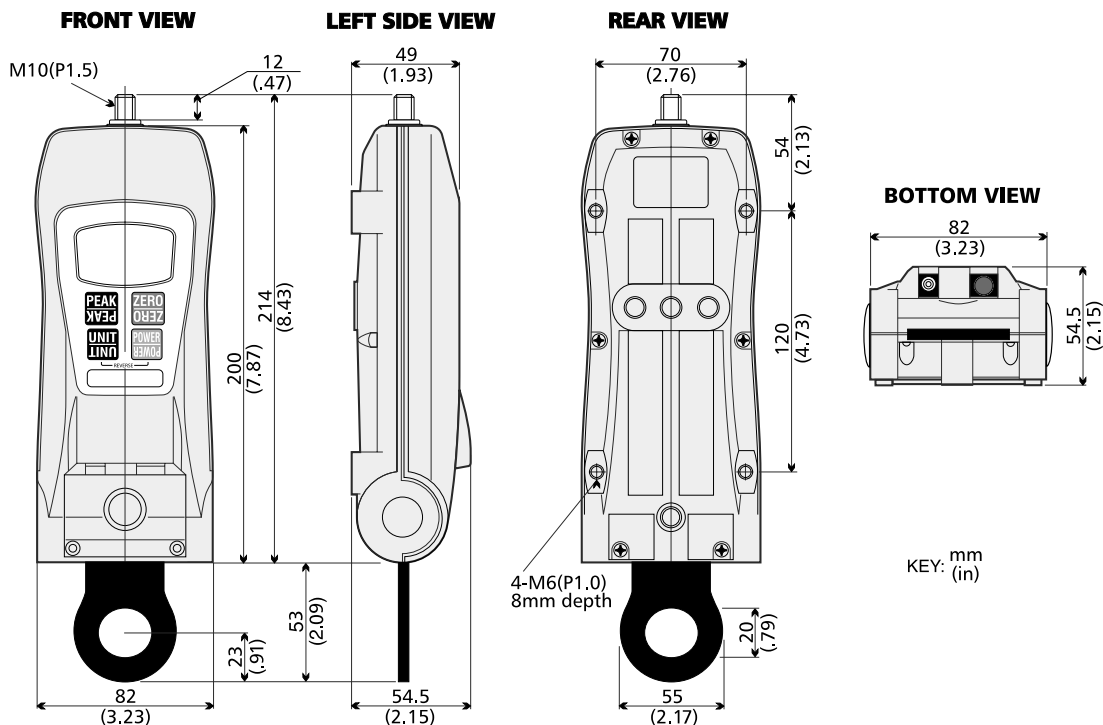
- Check all connections between the test stand and the force gauge and/or computer

Error codes are displayed:

- Turn unit off, then back on. If error codes are still displayed, see table below:

Small display	Condition	Action
<b>OVM</b>	Minus side overload condition - possible load cell damage	Remove excessive load; if the display does not return to normal operation, send unit in for repair
<b>OVP</b>	Plus side overload condition - possible load cell damage	
<b>OV+</b>	The load exceeds 120% of its capacity	Remove excessive load
<b>OV-</b>		
<b>ERR - 3 -</b>	EEPROM reading error	Turn off, then turn on again. If the display does not return to normal operation, send unit in for repair.
<b>ERR - 4 -</b>	EEPROM writing error	

# Dimensions



## Specifications

FGE-X and FGV-X JAVELIN SERIES SPECIFICATIONS		
FGE-HX Model	FGE-200HX	FGE-500HX
FGV-HX Model	FGV-200HX	FGV-500HX
Capacity	200 lb 100 Kg 1000 N	500 lb 250 Kg 2500 N
Resolution	0.1 lb 0.1 Kg 1 N	0.1 lb 0.1 Kg 1 N
Accuracy	±0.2% F.S.	
Display	4-Digit LCD, 12mm high. Reversible by the push of a button. Minus sign for tension.	
Display Update	0.05, 0.1, 0.2, 0.3, 0.5, 1 sec	
Sampling Rate	1000 times per second	
Overload	200% of F.S.	150% of F.S.
Power	Rechargeable Ni-Cad battery or AC through adapter/charger	
Output (FGV only)	Analog: ±1VDC (through a 12 bit D/A converter) RS232C: Baud rate (19200, 9600, 4800, 2400 bps selectable), commands control	
Auto Power Shut-Off	10 minutes (not active if adapter/charge is in use)	
Battery Charge	12 hours (when fully charged)	
Recharge Time	Approximately 18 hours when fully discharged	
Temperature	32° - 104°F (0° - 40°C)	
Dimensions	8.43" L x 3.23" W x 2.15" H (214 mm x 82 mm x 54.5 mm)	
Weight	2 lb (900 g)	
Standard Accessories	AC adapter/charger, carrying case, hook, chisel, flat head, notched head, cone head, extension rod, inch adapter, hanger, handles, FGV-232CABLE (FGV-HX series only)	
Approvals	CE approved	

## Warranty

### LIMITED EXPRESS WARRANTY

Shimpo Instruments warrants, to the original purchaser of new products only, that this product shall be free from defects in workmanship and materials under normal use and proper maintenance for one year from the date of original purchase. This warranty shall not be effective if the product has been subject to overload, misuse, negligence, or accident, or if the product has been repaired or altered outside of Shimpo Instruments's authorized control in any respect which in Shimpo Instruments's judgment, adversely affects its condition or operation.

### DISCLAIMER OF ALL OTHER WARRANTIES

The foregoing warranty constitutes the SOLE AND EXCLUSIVE WARRANTY, and Shimpo Instruments hereby disclaims all other warranties, expressed, statutory or implied, applicable to the product, including, but not limited to all implied warranties of merchantability and fitness.

### LIMITATION OF REMEDY

Under this warranty, Shimpo Instruments' SOLE OBLIGATION SHALL BE TO REPAIR OR REPLACE the defective product or part, at Shimpo Instruments' option. Shimpo Instruments reserves the right to satisfy warranty obligation in full by reimbursing Buyer for all payments made to Shimpo Instruments, whereupon, title shall pass to Shimpo Instruments upon acceptance of return goods. To obtain warranty service, Purchaser must obtain Shimpo Instruments's authorization before returning the product, properly repackaged, freight pre-paid to Shimpo Instruments.

### INDEMNIFICATION & LIMITATION OF DAMAGES

Buyer agrees to indemnify and hold Shimpo Instruments harmless from and against all claims and damages imposed upon or incurred arising, directly or indirectly, from Buyer's failure to perform or satisfy any of the terms described herein. In no event shall Shimpo Instruments be liable for injuries of any nature involving the product, including incidental or consequential damages to person or property, any economic loss or loss of use.

### MERGER CLAUSE

Any statements made by the Seller's representative do not constitute warranties except to the extent that they also appear in writing. This writing constitutes the entire and final expression of the parties' agreement.

Copyright© Nidec-Shimpo America Corporation 2000. All rights reserved. Product specifications are subject to change without notice.