



- $\pm 2\%$  Full Scale Accuracy
- UL Recognized
- Phenolic Case with Glass Windows
- Calibration Not Affected By Steel Mounting
- Distinctive Case Style
- Two Popular Sizes: 2-1/2" & 3-1/2"



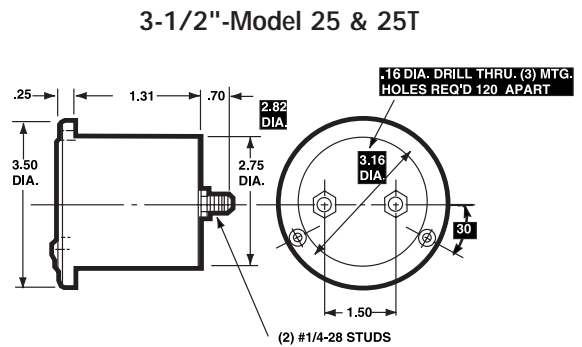
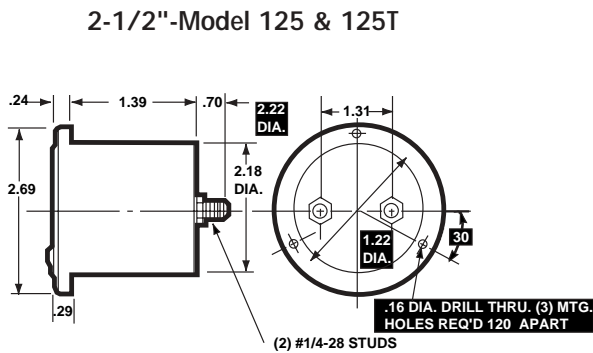
Model Number	Size	Meter Movement
125, 125T	2-1/2"	Self-Shielding
25, 25T	3-1/2"	Self-Shielding

For industrial or commercial applications, the Round style panel meter offers maximum reliability and  $\pm 2\%$  full scale (F.S.) accuracy. With a black phenolic case and glass window for optimum viewing, the Round style meter is a popular replacement. All DC units have pivot and jewel suspensions that are spring-loaded for shock protection. The self-shielded meter movement prevents magnetic interaction between the meter and a steel panel. Two popular sizes of 2-1/2" and 3-1/2" are available to measure various voltage ranges up to 1000 amps. DC current meters are self con-

tained for ranges up to and including 50 amperes. Higher range DC current meters require external shunts. See "Accessories." This style meter is ideal for many other electrical functions. See the "Function Reference Table."

### Dimensions and Compatibility

1 = Panel Meter Cut-out Dimensions



NOTE: "T" model suffix used for Taut-Band movement

### Compatibility Reference Table

Manufacturer	Size/Model	
	2-1/2"	3-1/2"
Beede	501	310
Hoyt	17/3	583
Triplett S Series	221-T	
Weston 200 and 300	201	301

## Specifications

<b>Accuracy:</b>	±2% F.S.
<b>Movement</b>	Annular, self-shielding
<b>Suspension:</b>	Models 25, 125: Pivot and Jewel
<b>Tracking:</b>	±3%
<b>Shielding:</b>	Calibration is unaffected by magnetic panel mounting.
<b>Response Time:</b>	1.5 seconds maximum
<b>Overload (1 sec.):</b>	10 times full scale rating
<b>Overload (Continuous):</b>	1.5 times full scale rating
<b>Repeatability:</b>	Models 25, 125: 2%; Models 25T, 125T: 0.5%
<b>Dial:</b>	Sharp clear scale. Each dial arc is calibrated to track the specific type of movement used.

<b>Resistance:</b>	±15%
<b>Operating Temperature:</b>	-4°F to +149°F (-20°C to +65°C)
<b>Repeatability:</b>	2%
<b>Case:</b>	High density black phenolic.
<b>Pointer:</b>	Spade Pointer, with black matte finish.
<b>Scale Length:</b>	Model 25: 2.5" (63.5 mm) Model 125: 1.8" (45.7 mm)
<b>Net Weight:</b>	Model 25: 8 ozs (0.23 kg) Model 125: 7 ozs (0.20 kg)

## Ordering Information

### DC Microammeters Self-Shielding Meter Movement

Range	Approx. Impedance (Ohms)	Model/Size and Catalog Number	
		2-1/2" Model 125	3-1/2" Model 25
0-50	1800	04210	03760
0-100	1800	04220	03770
0-200	1100	04230	03780
0-500	90	04240	03790
25-0-25	1800	<>	<>
50-0-50	1800	04294	03810
100-0-100	1100	04296	03820
500-0-500	43	<>	03830

<> Available on special order.

### Taut-Band DC Microammeters Self-Shielding Meter Movement

Range	Approx. Impedance (Ohms)	Model/Size and Catalog Number	
		2-1/2" Model 125T	3-1/2" Model 25T
0-5	5750	<>	03738
0-10	4900	04197	<>
0-15	1960	<>	03741
0-25	1960	04201	03751
0-50	960	<>	03761
0-100	500	<>	03771

<> Available on special order.

### DC Milliammeters Self-Shielding Meter Movement

Range	Approx. Impedance (Ohms)	Model/Size and Catalog Number	
		2-1/2" Model 125	3-1/2" Model 25
0-1	43.0	05580	04610
0-1.5	43.0	<>	04620
0-3	2.0	<>	<>
0-5	2.0	05610	04640
0-10	10.0	05620	04650
0-15	6.6	05630	04660
0-20	5.0	<>	<>
0-25	4.0	05650	04680
0-50	2.0	<>	04690
0-75	1.3	05670	<>
0-100	1.0	05680	04710
0-150	.66	05690	04720
0-200	.5	05700	04730
0-250	.4	05710	<>
0-300	.33	<>	04750
0-500	.2	05730	04760
0-750	.13	<>	<>
0-1000	.05	<>	04780

<> Available on special order.

## Function Reference Table

For your convenience, the table below lists Round models for other electrical monitoring functions with page number reference.

Function	Section	Pages
AC Current	E	
AC Voltage	E	
DC Voltage	E	
Watts	E	

### DC Current Meters Self-Shielding Meter Movement

Range	Approx. Impedance (Ohms)	Model/Size and Catalog Number	
		2-1/2" Model 125	3-1/2" Model 25
0-1	.050	01460	00005
0-1.5	.033	<>	<>
0-2	.025	<>	00030
0-3	.0166	01490	00040
0-5	.010	01500	00050
0-10	.005	01510	00060
0-15	.0033	01520	00070
0-25	.0020	01530	00080
0-30	.0017	01540	00090
0-50	.001	01550	00099
0-75	10.0	01560†	00110†
0-100	10.0	01570†	00120†
0-150	10.0	01580†	00130†
0-200	10.0	01590†	00140†
0-250	10.0	<>	00151†
0-300	10.0	01610†	00160†
0-500	10.0	01620†	00170†
0-750	10.0	<>	00177†
0-1000	10.0	<>	00188†
15-0-15	.0033	<>	00200
30-0-30	.0017	01660	00210
50-0-50	.001	01670	00220

† DC current meters are self-contained for ranges up to and including 50 amperes. Higher range DC current meters (50 mV) listed above are calibrated for 5" leads and require external shunts. <> Available on special order.

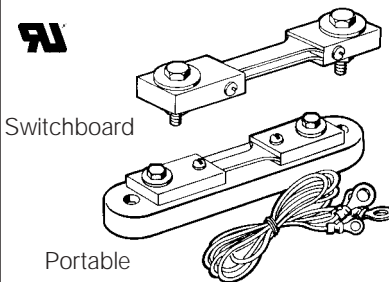
### DC Galvanometers Self-Shielding Meter Movement

Range	Sensitivity $\mu$ A	Approx. Impedance (Ohms)	Model/Size and Catalog Number	
			2-1/2" Model 125	3-1/2" Model 25
50-0-50	500-0-500	43	03670	03630
50-0-50	75-0-75	1800	<>	<>

<> Available on special order.

## Accessories

### External Portable and Switchboard Shunts



These shunts are adjusted for a 50 millivolt drop for use with switchboard and panel current meters where external shunts are required. Portable shunts have a phenolic base and accept up to 200 amperes. Accuracy ±1%, 5" leads (0.065  $\Omega$  resistance) included.

#### Portable Shunts 50 mV

Amps	Cat. Number
1	06700
5	06703
10	06704
15	06705
25	06707
30	06708
50	06709
75	06711
100	06713
150	06714
200	06715

#### Portable Shunts 100 mV

Amps	Cat. Number
10	06716
100	06717

NOTE: 5" leads not included

#### Switchboard Shunts 50 mV

Amps	Cat. Number
100	06500
150	06503
200	06504
250	06505
300	06506
400	06507
500	06508