



Three-Phase AC Current Transformers

For use with GIMA Series

Window Diameter 0.97"

APPLICATION:

Ammeter, wattmeter, metering and other switchboard applications and for current to voltage conversion by use of a loading resistor as illustrated in the graph below and having low secondary current input.

FREQUENCY:

50-400 Hz.

INSULATION LEVEL:

0.6 kV, BIL 10 kV full wave.

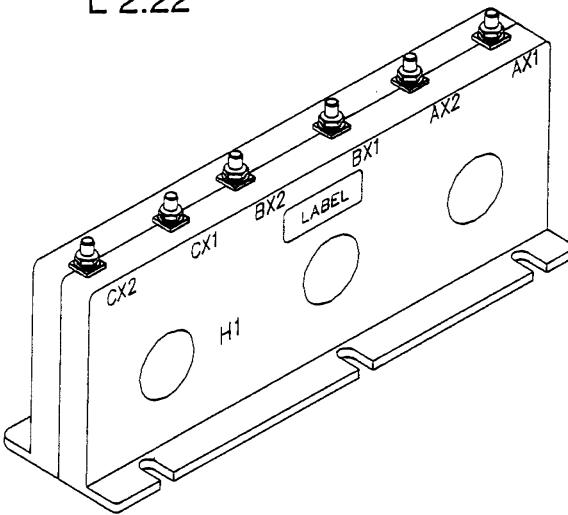
REGULATORY AGENCY APPROVALS



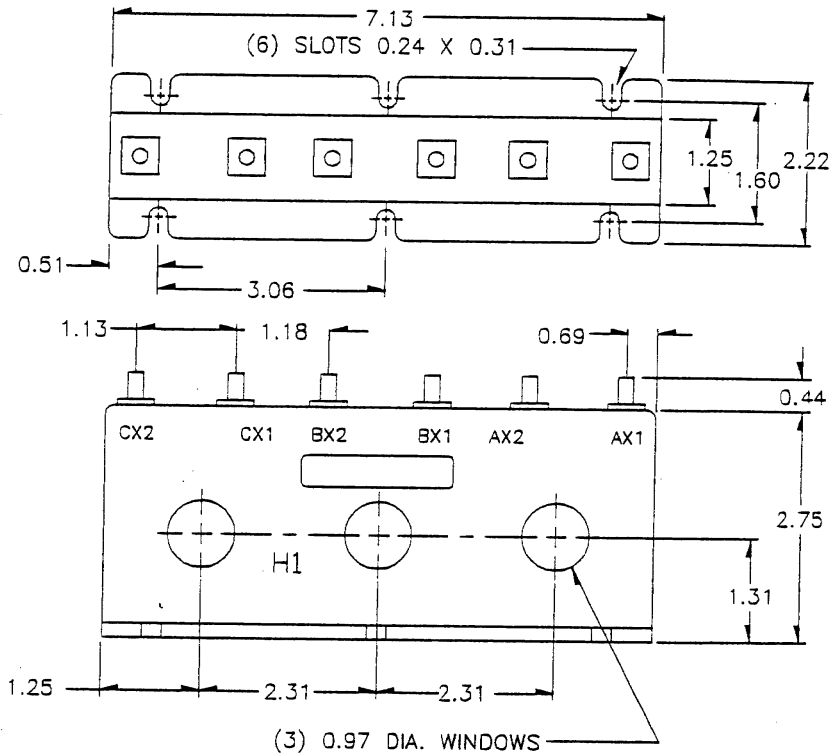
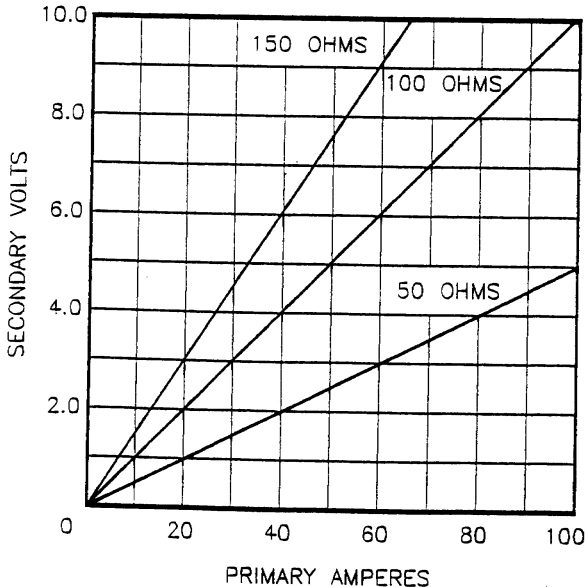
Manufactured to meet the requirements of ANSI C57.13.
Classified by U.L. in accordance with IEC 185.

- Terminals are brass studs No.8-32 with one flatwasher, lockwasher and regular nut.
- Transformers can be ordered with secondary leads configured in various ways (consult factory).
- Load resistors may be mounted directly on terminals thus providing a "space saver" feature.
- Approximate weight 1.75 lbs.

W 7.13
H 3.19
L 2.22



The graph below illustrates voltage output capacity, and over the ranges shown, will maintain $\pm 3\%$ linearity.



Catalog Number	Current Ratio	Accuracy @60 Hz	Burden VA 60 Hz
37026	50:5	$\pm 3\%$	2.0
37027	100:5	$\pm 1\%$	2.0
37028	150:5	$\pm 1\%$	4.0
37029	200:5	$\pm 1\%$	5.0
37030	300:5	$\pm 1\%$	10.0

Simpson Electric Company 853 Dundee Ave., Elgin, IL 60120
(847)697-2260 Fax: (847)697-2272 www.simpson electric.com