

Bezel and Illumination Kits

● *Bezel Kits for Wide-Vue 3-1/2" and 4-1/2" Meters*

Bezel Kits

The bezel kits provide an attractive modern appearance for Wide-Vue analog panel meters. Bezel kits are die cast with a black satin finish, and are designed for behind panel mounting. The bezel kits can accommodate a panel thickness from 1/8" to 3/16". Bezel kits include all mounting hardware required.

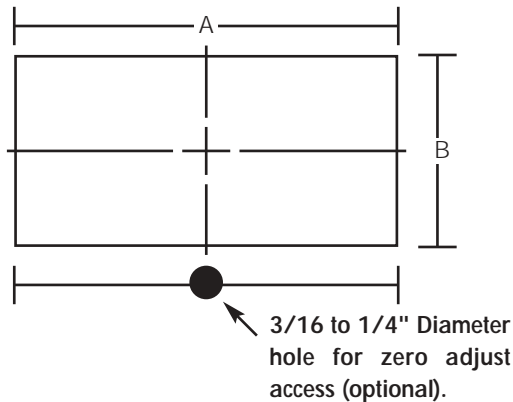


Bezel Kit



Bezel Kit Attached to Meter

Dimensions and Ordering Information



Bezel Kits

Slide the bezel kit on the front of the meter. Place the mounting brackets around the mounting studs of the meter, and slide the wing through the bezel kit. Use the hardware supplied with the bezel kit to attach it to the meter (on the mounting studs), and the long screws to mount the meter behind the panel.

Size	Panel Cutout		Catalog Number
	A	B	
Wide-Vue			
3-1/2"	3.406"	2.094"	01253
4-1/2"	4.812"	2.750"	01123