



Current Transformers with Terminals

- Reduces High AC Current Signal to 5 Amp AC Signal
- Six AC Current Input Ranges Available
- Accuracy $\pm 1.0\%$ ($\pm 2.0\%$ for 100 Amp)
- Screw Terminals for Easy Connection

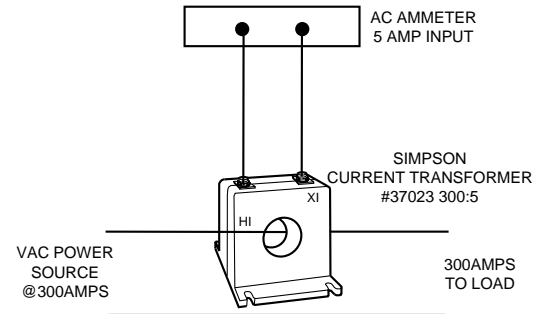


Simpson's terminal-type current transformers can be used to monitor AC Current when the current level is too high for the panel meter to be connected directly in series, usually above 75 Amperes. The current transformer reduces the primary input current to a secondary current of 5 Amperes, which can be monitored by the panel meter.

The current transformer is equipped with terminals to permit easy connection to either an analog or a digital panel meter. These terminals are # 8-32 brass studs and come with flat washer, lockwasher, and regular nut (Leads are not provided).

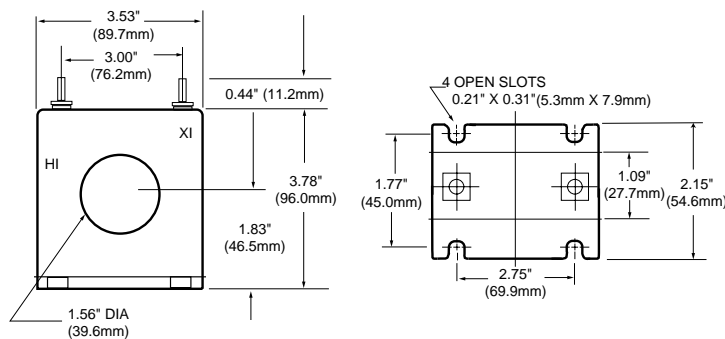
A typical wiring setup is shown at right, depicting a terminal-type current transformer installed with a panel meter to monitor current.

Typical Application Wiring



Dimensions, Specifications and Ordering Information

Dimension Drawing



Specifications

ACCURACY: ±2.0% (100 Amp) ±1.0% (100-1000 Amp)	INSULATION CLASS: 0.6kV BIL 10kV full wave
FREQUENCY: 50-400Hz	WEIGHT: 1.0lb (453.59g)

Ordering Information

Range	Burden VA@60Hz	Catalog Number
100:5	2.0	37020
150:5	5.0	37021
200:5	5.0	37022
300:5	12.5	37023
500:5	20.0	37024
1000:5	25.0	37025