

Technical Specifications	
TRANSMITTER AND RECEIVER	
Video Input Interface HDMI (SingleLink) Output Interface HDMI (SingleLink) Resolution up to 1920x1200 DDC automatic learning from remote screen HDCP transparent	
Audio 3.5mm Jack Bandwidth 15KHz Signal level 0dB unbalanced Input Impedance 10K ohms Output Impedance 100 ohms Software Independent Fiber LC to LC Multimode 50/125	
RS232 Data up to 115,000 db9, Male for TX, female for RX TXD, RXD and ground	
Power Requirements 5V DC 3A	
IR transparent IR signal	
Size: 6.625" W x 3.437" L x .75" H Weight: 7oz.	

© Copyright 2007 Smart-AVI, All Rights Reserved

Notice

The information contained in this document is subject to change without notice. Smart-AVI makes no warranty of any kind with regard to this material, including but not limited to, implied warranties of merchantability and fitness for any particular purpose.

Smart-AVI will not be liable for errors contained herein or for incidental or consequential damages in connection with the furnishing, performance or use of this material.

No part of this document may be photocopied, reproduced or translated into another language with out prior written consent from Smart-AVI.

User Manual

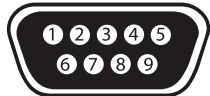


205 Westwood Ave, Long Branch, NJ 07740
Phone: 866-94 BOARDS (26273) / (732)-222-1511
Fax: (732)-222-7088 | E-mail: sales@touchboards.com

FX-HDPro

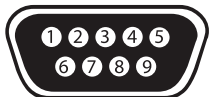


Recieve on DB9 Male



Pin No.	Name	Description
2	RxD	Receive Data on DB9 Male
3	TxD	Transmit Data on DB9 Male
5	SGND	Ground

Transmit on DB9 Female



Pin No.	Name	Description
2	TxD	Transmit Data on DB9 Female
3	RxD	Recieve Data on DB9 Female
5	SGND	Ground

Smart-AVI

The FX-HDPro Extends HDMI, DVI-D, Audio, IR and RS-232 Signals 1,200 Feet for Home Theater, Digital Signage and Professional Applications

Introduction

The FX-HDXPro range of products allows the extension of a wide range of video and audio formats, RS232, DVI-D, Audio and IR.

Features

- Transmit HDMI, DVI-D and Audio Signals up to 1,200 Feet Without HDCP Dropouts or Errors
- Full IR and RS-232 Control
- High-Definition Resolutions up to 1920 x 1200 achieved Over Fishing Line-Thin "Invisible" Fiber Optics Cable Without Video or Audio Quality Loss
- Perfect 1080p HDTV Resolution
- IR Transparent IR Signal
- Full Creative Control Over Arrangement/Setup of Home Theater Components and Professional Digital Signage Displays Without Restrictive, Bulky Cables
- Unit Uses Extremely Cost-Effective Fiber Optics Cabling
- LC Fiber Plug Type
- Compatible With all Operating Systems
- Quick and Easy Setup
- Transmit DVI-D 1920 x 1200 60Hz With Crisp, Perfect Image
- Transmit Crystal-Clear Stereo Audio

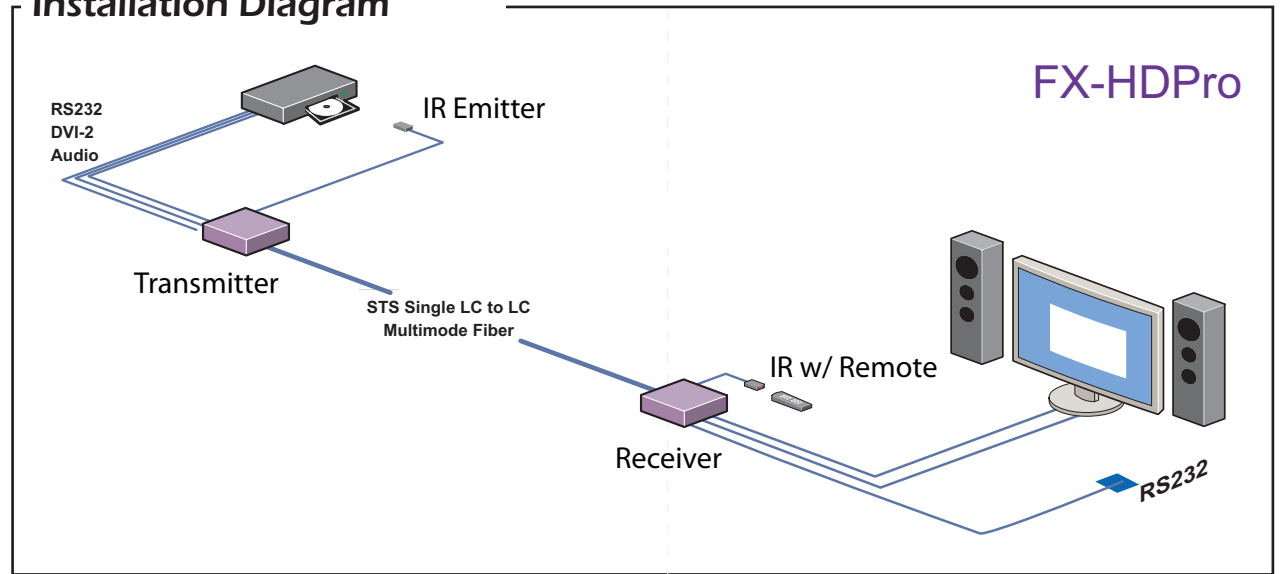
What's in the box?

FX_HDXPro

Please check the contents of the package before beginning installation.

FX-HDXPro Package Content		
Qty	Items	Part No.
1	FX-HDXPro Transmitter Unit	HDX-PRO-TX
1	FX-HDXPro Receiver Unit	HDX-PRO-RX
2	volt dc power supply 3A	PS5VDC 3A-U
Optional		
1	Audio 3.5 mm stereo miniplug cable	CC-ADMM06
1	IR EYE Receiver	SM-EYE
1	IR Emitter	SM-LED
1	Serial m/f DB9 6ft.	CCSERMF06

Installation Diagram



Connecting The Transmitter

1. Connect the output of the HDMI device to the video input of the transmitter using the included HDMI cable.
2. Connect IR cables from the display unit to the transmitter. (Optional)
3. In the back of the unit connect the 2 CAT6 cables that will connect to the receiver unit.
4. Connect the power supply.



Connecting The Receiver

1. Connect the 2 CAT6 cables (coming from the transmitter) to the back of the receiver.
2. Connect the display to the HDMI out connector on the front of the receiver.
3. Connect the IR cables from the receiver to the display unit. (Optional)
4. Connect the power supply.

Connecting The Fiber (the Transmitter TX to the Receiver RX)

To connect the transmitter unit to the receiver unit you will need a LC to LC fiber. Multimode: single fiber 50µm or 62.5µm with single LC connector. The connection is established with this type of fiber cable maximizing signal connection.

