

One CAT5 to broadcast IR up to 1000ft (300m) away!

HD
ready

HD
CONTROL



HDC-IR allows the extension of InfraRed control signals via a single Category 5 twisted pair cable using a unique method of transparent data transfer.

Features

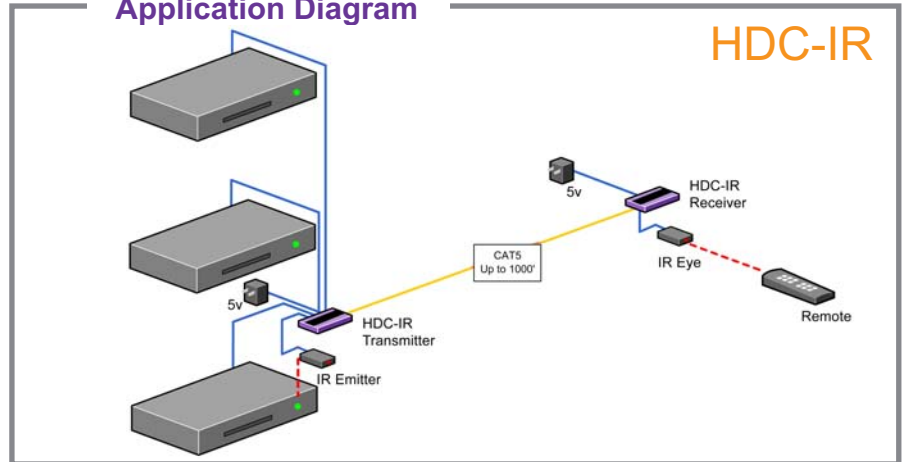
- Uses easy to install, inexpensive CAT5/5e/6/7/8.
- Output reaches up to 1000 feet (300m).
- Sends IR and Power signals over CAT5.
- Built-in lightning, power surge and transient protection.
- High ground loop immunity.
- Compact enclosure.
- Optional power supply for remote unit.
- Fully compliant with standard modulated IR and the latest IRDA.
- Fully transparent path for all protocols and data transfers.
- Bi-directional IR.

Infrared Extender over cat5 up to 1000ft

Specifications

IR EYE input	
IR Frequency Range	30 KHz to 80KHz
Capture Distance	Up to 25'
Cable Connector	3.5mm stereo jack
IR Signal Indicator	Green LED
Power Requirements	
Signal Type	TTL
IR Emitter Output	
IR Frequency Range	30KHz to 80KHz
Emitter Distance	Up to 10'
Cable Connector	3.5mm mono jack
IR Signal Indicator	Red LED
Box	
Power Requirements	12VDC 1A single power up to 250ft
Cable Link	CAT5 568A or 568B
Dimension	2.5"x2.5"x1.0" (85mm x 84mm x 35mm)
Weight	.25lb (0.9 Kg.)

Application Diagram



Order Info

Model	Description
HDC-IRS	IR CAT5 Point to Point Extender. Includes: [HDC-IR-TX, HDC-IR-RX, SM-LED, SM EYE and (PS12VD1A)]

HDC-IR can be used 2 ways,

1. enabling the remote side to control the DVD, or any other source device. (the IR eye would be connected at the remote).
2. enabling the source side to turn off or on the remote TV/Monitor (the IR eye would be connected at the source).

Applications for HDC-IR

Hotels, Cable TV remote control, Control rooms, Remote On-Digital set-top control, Sky box control extension, Dealer rooms, Point of Sale, Remote VCR control, Home use.

Data Broadcasting

Data such as news, stock prices, sports results, and flight information can be broadcast in real time to various monitors and/or speakers.

Learning and Training

HDC-IR can be used in educational presentations to multiple locations, in schools and in other training facilities.

Many leading businesses have already recognized the innovation of SmartAVI's technologies and have eagerly implemented them. Users of SmartAVI technology include among others;

