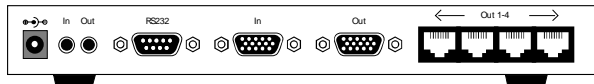


## Technical Specifications

XT-400 SPECIFICATIONS	
<b>VGA Data</b>	
Format	RGBHV, RGsB, YUV, Y/C, CVBS
Resolution	Up to 1900 x 1200 VGA, SVGA, XGA, SXGA)
Connector type	HD 15 socket
<b>Audio</b>	
Signal Type	Stereo unbalanced
Connector	3.5mm jack socket
<b>RS232</b>	
	DB9M
	TXD, RXD, Gnd.
	9600 bps
<b>Power</b>	
Requirements	5VDC @.5A
Connector	2.1mm DC jack (center +ve)
<b>Physical</b>	
Dimensions	22 x 11.8 x 2.7cm (3.1with pegs)
Weight	.8 lbs or .36 kg



### Sending an RS232 command to remote monitor

In order to send a command to a remote monitor, you will need to use The following query at 9600 baud rate;

<CR>//M1<CR>

- After sending this query, any command sent from the PC will go directly to monitor 1
- To send a command to monitor 2 replace "M1" with "M2" etc...
- To send the same command to all monitors ( but only monitor 1 will answer) Use the following command;  
<CR>//M0<CR>

\*<CR> = Carriage return

© Copyright 2007 Smart-AVI, All Rights Reserved

### Notice

The information contained in this document is subject to change without notice. Smart-AVI makes no warranty of any kind with regard to this material, including but not limited to, implied warranties of merchantability and fitness for any particular purpose.

Smart-AVI will not be liable for errors contained herein or for incidental or consequential damages in connection with the furnishing, performance or use of this material.

No part of this document may be photocopied, reproduced or translated into another language with out prior written consent from Smart-AVI.

Smart-AVI

# Smart-AVI

Smart Audio Video Integration

## User Manual

### Touchboards

205 Westwood Ave, Long Branch, NJ 07740  
Phone: 866-94 BOARDS (26273) / (732)-222-1511  
Fax: (732)-222-7088 | E-mail: sales@touchboards.com

## XT-400



Use a single CAT5 cable to broadcast high resolution SXGA, Stereo Audio and RS232 up to 4 stations up to 1000ft away.

## Introduction

The XT400 range of products allows the extension of a wide range of video and audio formats and RS232 up to 4 locations using Category 5 Unshielded Twisted Pair (UTP) cables.

With RS232 communication support the XT400 allows users to send commands to single or multiples devices. This allows the user to change volume, channel or turn on/off the remote LCD TV.

## Features

- Supports Dual Screens.
- Uses easy to install, inexpensive CAT-5/5e/6/7/8.
- Each output reaches up to 1,000 feet (300 m).
- Supports high resolution video up to 1900x1200
- HDTV Compatible (720p, 1080i,1080p)
- 300 MHz Bandwidth.
- Sends high-resolution VGA, Stereo Audio signals, RS232 or IR from one source to 4 locations.
- Compatible with VGA, XGA, Sun, MAC and SGI Sync Format / Polarity Preservation.
- Compatible with Line Level Stereo Audio Signals.
- High ground loop immunity.
- Built-in power surge and transient protection.
- Designated trimmer in the remote unit to compensate for cable length.
- Compact Metal Case Enclosure.
- External power supply.
- RS-232c Communication support to single or multiple Displays.
- IR command to single or multiple Displays.

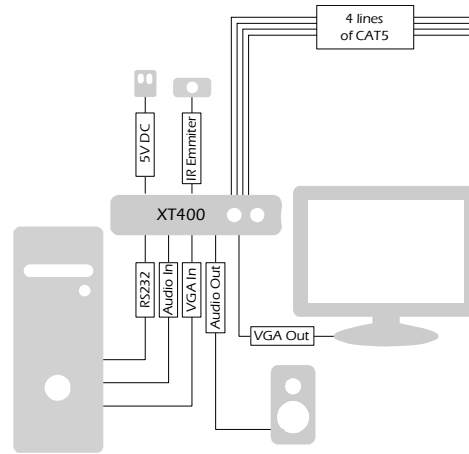
## What's in the box?

### XT400

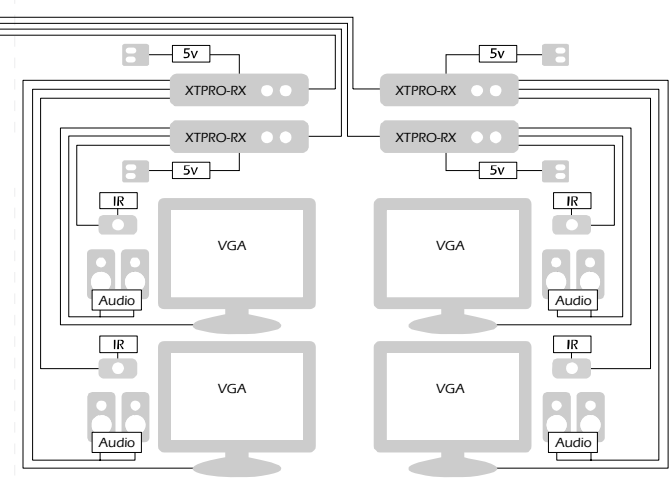
Please check the package contents before installing.

XT400 Package Contents		
Qty	Items	Part No.
1	XT400 Transmitter unit	XT400-TX
1	5 volt dc power supply	PS-5D1A-US
1	HDD 15 male to male VGA cable (6ft)	CC-VGAMM-06
Optional		
1	Audio 3.5 mm stereo miniplug cable	CC-MMAMM-06
1	XTPRO Receiver unit	XTPRO-RX
1	IR EYE Receiver	SM-EYE
1	IR Emitter	SM-LED
1	6' RS232 cable	CCRS232-06

## Installation Diagram



XT400 Transmitter Installation Diagram



XT400 Receiver Installation Diagram

### Connecting The Transmitter

1. Connect the output of the computer video card to the video input of the transmitter using the included male to male video cable.
2. Connect the output of the computer audio card to the audio input of the transmitter using 3.5mm audio male to male audio cable.
3. Connect local monitor to the VGA out of the transmitter.
4. Connect external speakers to the transmitter's audio out (Standard 3.5mm stereo miniplug).
5. In the back of the unit connect the CAT5 cable that will connect to the receiver (XT400-RX).

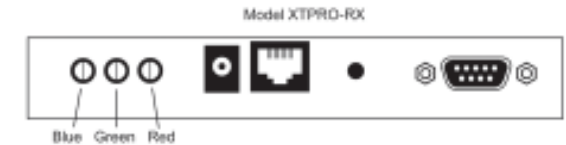
**\*NOTE:** You can not use RS232 and IR at the same time.

### Connecting The Receiver

1. Connect CAT5 cable (coming from the transmitter) to the back of the receiver.
2. Connect 1-4 display monitors to the VGA out connectors on the front of the receiver.
3. Connect 1-4 sets of external speakers to the audio output connections on the front of the unit. (Standard 3.5mm stereo Miniplug)

### Adjusting and Tuning the Signal

In order to fine tune the signal, adjust the individual dials one at a time starting with GREEN, then BLUE, and lastly RED. As you turn the dials you will notice the colors slightly change as you increase or decrease the strength. All dials should be around the same distance.



### Preparing & Connecting System CAT5 Cable

Following is the wiring standard for terminating CAT 5 cable using RJ-45 connector:

- |        |            |
|--------|------------|
| Pair 1 | Pins 1 & 2 |
| Pair 2 | Pins 3 & 6 |
| Pair 3 | Pins 4 & 5 |
| Pair 4 | Pins 7 & 8 |



**Connectors:**  
**Capacitance:**  
**Conductor Gauge:**  
**Impedance:**

RJ-45  
 14 pf/ft (46.2 pf/m)  
 24 AWG  
 100 +/- 15 ohms  
 4 - Pair