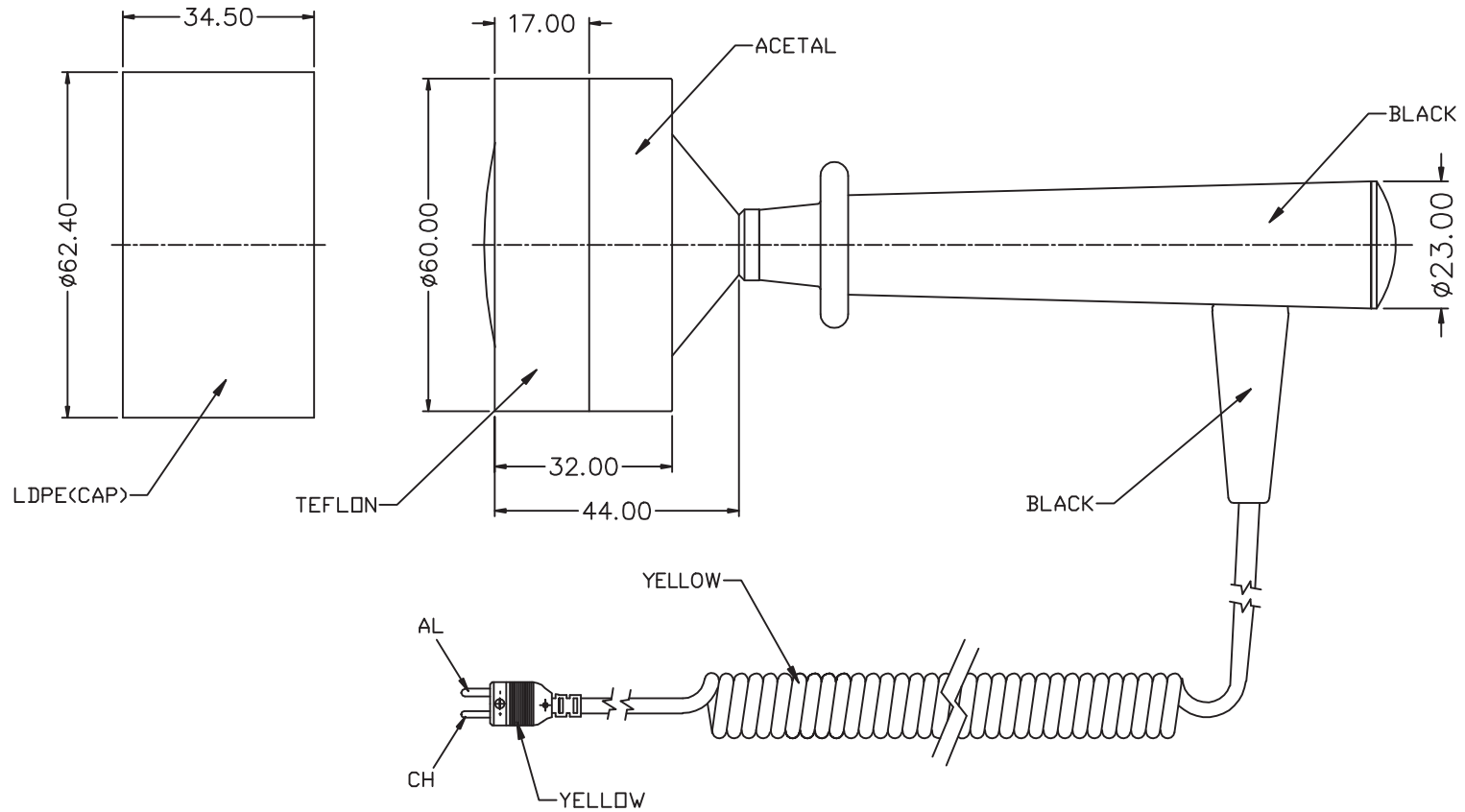


<i>TYPE</i>	<i>SENSOR</i>	<i>CONNECTOR</i>	<i>RANGE</i>	<i>STEM LENGTH</i>	<i>DIAMETER</i>	<i>LEAD LENGTH</i>	<i>MATERIAL</i>
<i>GRILL SURFACE PROBE</i>	<i>K-TYPE</i>	<i>SUB-MINI</i>	<i>-50C TO 250C</i>	----	<i>60/23m/m</i>	<i>1 meter</i>	<i>CH(+), AL(-)</i>



Copyright © 2007 Test Products International, Inc.

Part Number: CK18M
Date: 10/03/07

T  **USA**
Equipment
.NET

205 Westwood Ave
Long Branch, NJ 07740
1-877-742-TEST (8378)
Fax: (732) 222-7088
salesteam@Tequipment.NET