

OPERATING MANUAL

SBS-2, SBS-4



**205 Westwood Ave
Long Branch, NJ 07740
1-877-742-TEST (8378)
Fax: (732) 222-7088
salesteam@Tequipment.NET**

PACKAGING

Two cartons will be received, one containing the fluidized bath, the other containing aluminum oxide (20 lb.) SBS-2 and SBS-4.

Retain the carton in which the bath is received.

ELECTRICAL

Check that the voltage and current rating on the serial number plate near the power cord is correct.

WARRANTY

The bath is guaranteed against all defects, including materials and workmanship, under normal use for a period of 12 months.

To validate the warranty, complete and return the warranty card immediately.

INSTALLATION

Place the bath on a firm, level surface allowing access from the top for insertion and removal of objects in the bath. Turn energy regulatory and gate valve to the off position.

Connect the air inlet tube to a clean, dry air supply connected to 15 psi using a **minimum** 3/8 inch ID hose, keeping the length as near 6 ft. as possible.

If factory air is not available, use Techne Air Compressor #7030804.

Note that gases other than air may be used (for example nitrogen and argon, should be inert atmosphere required).

If Techne TC-8D controller is not used, connect the power cord to a properly fused electrical outlet conforming to the voltage and current requirements of the unit. If Model TC-8D is used, refer to the instruction manual provided with the controller.

Fill the bath with the aluminum oxide to a depth no greater than 2 inches from the top rim of the bath.

Turn the main air supply on and adjust the pressure to 15 psi, 4-5 cfm. If the Techne air compressor is used, turn the compressor on.

OPERATING MANUAL
SBS-2, SBS-4
PAGE 2

Slowly open the gate valve on the bath, allowing air to flow into it. Observe the oxide expand and begin to bubble. Adjust the gate valve until bubbles of approximately $\frac{3}{4}$ to 1 inch diameter are breaking the surface.

If the TC-8D controller is not being used, turn the energy regulator to a 5 setting*, (with a medium switch position on the SBS-4). The neon light will switch on and off for approximately equal times. Place the energy regulator to the 10 position and the neon light will be on continuously. The bath will be getting slightly warm.

*When the TC-8D is used, the energy regulator should be turned up to 10.

If a rapid heat up of the bath is required, set the energy regulator to 8-9 (SBS-2) or high switch position (SBS-4). As the desired temperature is reached, turn the regulator down and the heat selector switch to medium or low until the temperature stabilizes. Experiment with the position settings to establish a relationship between them and the bath temperature.

MAINTENANCE

This unit is designed for continuous operation and requires little maintenance.

The level of the medium must be maintained and periodically, the bath should be emptied and the medium screened (or even replaced).

Check the air filter to ensure that clean, dry air is used.

Periodically check the following components for damage and malfunctioning:

Porous Plate- Check for cracks or local deterioration of the surface, or for leakage of air around the peripheral seal.

Heaters- Check for bad “scaling”, pin holes or signs of local deterioration. Check that the elements do not touch each other at any point, or touch the bath well.

Energy Regulator- When switched on electrically, the contacts can be heard to “click” on and off periodically (except when set at the 10 position).

Fail Safe Switch – When the bed is not fluidized, all the heater circuits are automatically broken.

With the bed just “fluidized” the heater circuits should be completed. (Both tests should be made with energy regulator at 10). Status of the heaters is monitored by the neons on the front panel.

Heater Switch – On the SBS-4 model with the energy regulator set on 10, one neon should be on in the medium position, two neons for high position.

PRECAUTION IN USE

The unit should be placed on a firm insulated level surface to prevent tipping over.

Objects should be slowly immersed into the bath. They should not be dropped into the bath. This will result in damage to the heaters and there is also the possibility of shock hazard.

Care should be exercised in handling mercury-in-bulb thermometers if they are used either for calibration or monitoring the temperature.

Air to the fluidized bath should be clean and free from traces of oil. Neglecting this warning will result in clogged porous plates and heaters will be damaged due to overheating.

The inherent advantages of a fluidized bath, such as no fumes or smell, no vapors and low temperature environment a few inches above the top of the bath, may give a false sense of security. It should be noted that the fluidizing media is at elevated temperatures and proper warning should be posted to prevent any injury to operating personnel.

When the bath has been running at high temperatures (200 deg. C or more) and the unit has to be turned off, only the power should be turned off. Fluidization should be maintained until the bath cools down to 200 deg. C or below. This will prevent premature failure of the heaters and damage to porous plate.

FAULT FINDING

These noted have been prepared to give the user a simple and systematic series of checks for fault correction.

<u>Fault</u>	<u>Bed will not fluidize</u>
<i>Cause</i>	Air lines broken or leaking
<i>Action</i>	Check all air lines and connections for leaks or restrictions
<i>Cause</i>	Incorrect air supply.
<i>Action</i>	Check air supply for correct pressure (minimum 15 psi), and adequate flow of 4-5 cfm.

OPERATING MANUAL
SBS-2, SBS-4
PAGE 4

Cause Fluidizing material damp.
Action Empty the bath. Blow air through it to remove all moisture. Dry the material before replacing it in the bath or use fresh charge.

Cause Filters blocked or leaking.
Action Check for leaks or restrictions.

Cause Control valve malfunction.
Action Check function.

Fault **Bed fluidizing erratically in one spot**

Cause Porous plate damaged.
Action Empty the bath and check the area of the plate around the bad spot. If cracked or damaged, a new plate must be installed. (Refer to disassembly procedure).

Cause Porous Plate leaking at the gasket (SBS-2) or periphery (SBS-4).
Action SBS-2 – Use a bead of GE RTV 106 at the place where it is leaking. Allow the RTV to cure for 24 hours. SBS-4 – reseal with water glass (Sodium Silicate).
If plate still leaks, replace it.

Cause Porous plate laden with oil film on the air supply side.
Action Replace the porous plate.

Fault **Bath not heating**

Cause Incorrect power supply.
Action Check supply voltage and make sure it confirms to the voltage rating of the bath.

Cause Blown fuse.
Action Remove the fuse and check. Replace if necessary with identical fuse.

OPERATING MANUAL
SBS-2, SBS-4
PAGE 5

Cause Heater defective.
Action Connect an ammeter (range 25 Amps AC) into the power leads. Adjust heater switch and observe the readings on the ammeter as follows:

SBS-2	120V	6.2 Amp	
SBS-2	240V	3.1 Amp	
SBS-4	120V	Medium	6.2 Amp
		High	12.4 Amp
SBS-4	240V	Medium	3.1 Amp
		High	6.2 Amp

Replace either heaters or switch as necessary.

Cause Energy regulator not functioning.
Action Connect an ammeter (25 Amps AC) in series with the power cord. Fluidize the bed. Turn the energy *regulator* knob to 5 (and heater selector switch to medium on SBS-4) and observe that the current alternates between 0 and the minimum currents shown in the preceding paragraph. If no current flowing, check remaining items and, if necessary, replace the regulator.

Cause Fail safe switch not functioning.
Action Repeat corrective procedure outlined above. The ammeter should read alternatively as above. If these currents are not registered, check all other items in this section and, if necessary, replace the fail safe switch.

Cause Internal wiring is damaged.
Action With the power cord disconnected remove the base plate of the unit and carefully check all the wiring. Refer to the wiring diagram in this booklet.

Cause Failure of pneumatic circuit to fail safe switch.
Action Disconnect the pipe at the end not connected to the fail safe switch. Blow into the tube. A definite click should be heard. Use the continuity meter to make sure that the electrical contact is being made inside the switch.

DISMANTLING PROCEDURE

In the following steps refer to the wiring diagram included in this manual:

To expose the energy regulator, fail safe switch, and electrical wiring, proceed as follows:

Disconnect electrical and air supplies, empty the bath medium. Turn the bath upside down.

OPERATING MANUAL
SBS-2, SBS-4
PAGE 6

Unscrew the hex nut holding the base plate and carefully lift the base plate.

Disconnect all flying leads between the baseplate and the main case at the terminal block on the baseplate.

Replacement of heater and porous plate.

Follow the steps described above.

Remove the whole stud assembly by unscrewing the lock nut.

Disconnect the heater wires from the terminal block mounted on side of outer case. Tag the leads so that they can be connected to the right terminals.

Unscrew the gate valve.

If the thermocouple is installed in the thermocouple well, remove it.

Slowly lift the outer case upwards. The whole inner assembly will now be exposed. Tape the top rim to the inner bath.

Removal of the fiberglass insulation will expose the heater wire connections and lock nuts. To remove individual heaters, remove the appropriate link wires from the terminal ends and then unlock the nuts. From the outside of the container, squeeze the heater limbs together which will in turn withdraw the heater ends from the holes.

To replace the center heater it will be necessary to remove the top one first. To replace the bottom heater it is advisable to remove the porous plate first and work from the bottom. (SBS-4).

On models with a stainless steel porous plate (SBS-4), removal of the porous plate is done by removing the hex screws and nuts and lifting off the air chamber.

On replacing a porous plate the peripheral edge must be sealed with a glass solution (sodium silicate) after clamping up the screws.

On models with a ceramic porous plate (SBS-2) remove the porous plate by using a sharp knife to separate the gasket either from the porous plate or the inner bath. Use a long screwdriver to lift the plate. Avoid damaging the inner bath. Since the porous plate will be replaced, do not concern yourself if the porous plate gets damaged. After the porous plate is removed, thoroughly clean the inner bath and remove the remaining gasket material adhering to the bath.

OPERATING MANUAL
SBS-2, SBS-4
PAGE 7

If the porous plate support is damaged (SBS-2), replace it. Put a bead of RTV 106 around the inner periphery just above the air inlet tube, approximately 3/8 inches wide. Be sure not to block the air inlet tube. Lay the porous at the top of the inner tank and slowly push the plate downwards. Make sure the plate is always horizontal. Push it all the way down as far as it can go. Let the RTV cure for 24-48 hours.

Reassemble in reverse order to that stated above. It is important that the fiberglass insulation is retained closely to the inner container by either wire bands or fiberglass rope, thus allowing an air gap between the insulation and the outer case.

ACCESSORIES

OVERSPILL FLANGE (Supplied as standard with fluidized bath.) Fits into the top of the inner container of the fluidized bath, having the effect of widening the top of the bath, avoiding spillage of the medium when the bed nears the top of the bath.

6031116 – for models SBS-2 and SBS-4

PRESSURE REGULATOR Reduces the pressure of air from air line to suit the fluidized bath. The regulator is supplied with a pressure gauge.

7030783 – for all 117V models (inquire about availability for 240V)

AIR FILTER For providing uncontaminated air to the fluidized bath. This filter is recommended for use with regulator 7030783.

7030784 – for all models

AIR COMPRESSOR: For those who do not have an air line, this oil less unit with self Lubrication carbon vanes provides the proper air supply to fluidized SB series baths.

7030804 – for all models

ALUMINUM OXIDE:

7030462	20 lb. aluminum oxide
7030463	34 lb. aluminum oxide
7030464	100 lb. aluminum oxide

TEMPERATURE CONTROLLER, TC-8D

A P.I.D. micro-processor temperature controller, which bypasses the energy regulator, should be used when specific temperatures are required for laboratory and industrial applications. Model TC-8D comes with a type K thermocouple (6009929) which fits into the sheath built into the SB series baths.

The unit is available in degrees C or F calibration.

It provides:

- 1) Precise Temperature Setting.
- 2) Improved Temperature Stability.
- 3) Stable Temperature Under Varying Loads.

TC-8D Features

- Compact design, overall size 5.6 x 6.6 x 8.6 inches.
- Accepts mains voltage input of 80 to 260VAC *.
- Digital display of process temperature.
- Digital display of set point temperature.
- Three pole twist lock plug provided for fitting into outlet receptacle on rear of unit.
- Two ranges – 32/1166°F or 0/630°C.

3011900 – TC-8D Controller Degrees F

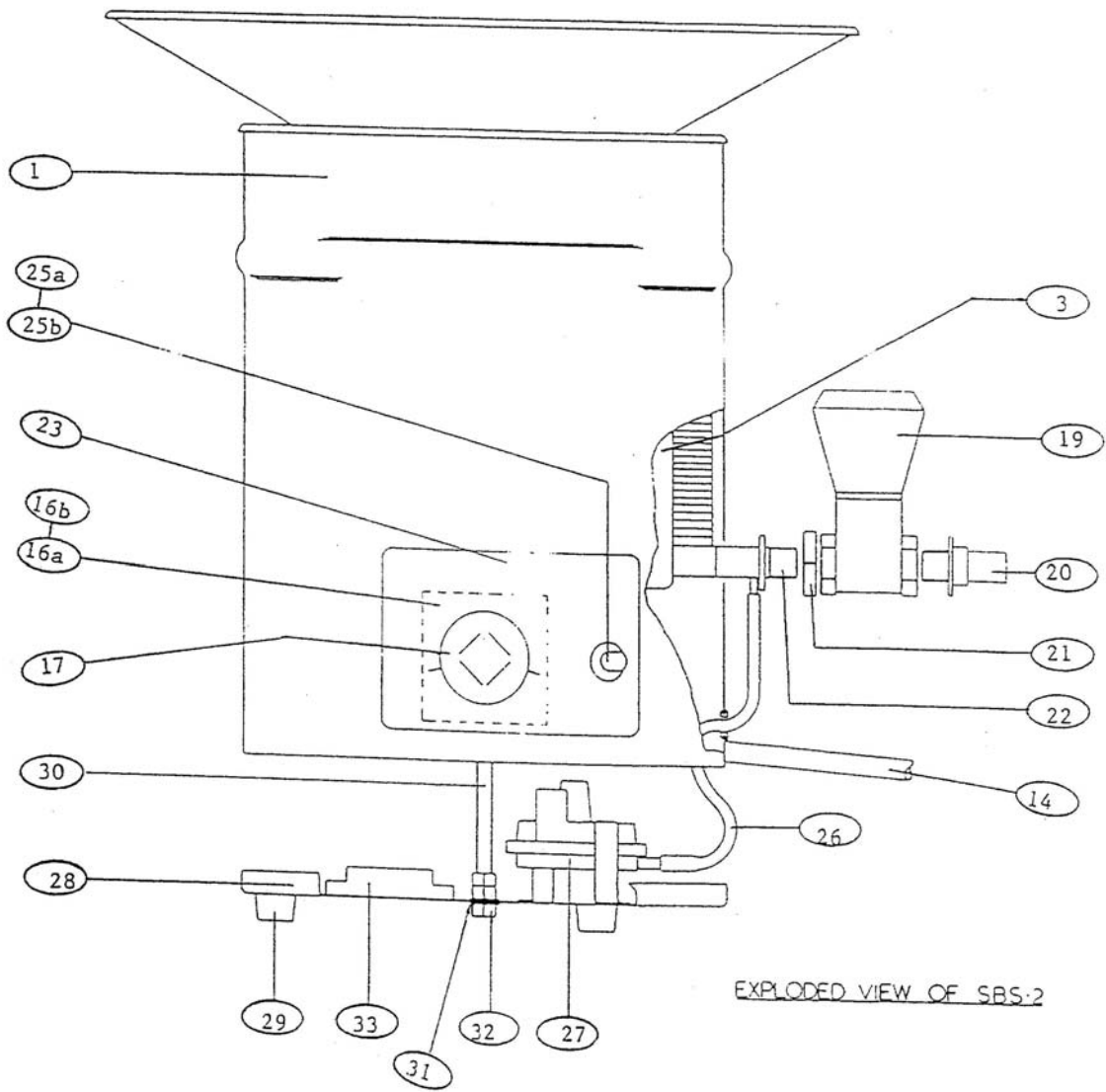
3012000 – TC-8D controller Degrees C

TC-8D can be used with all models listed in this instruction manual.

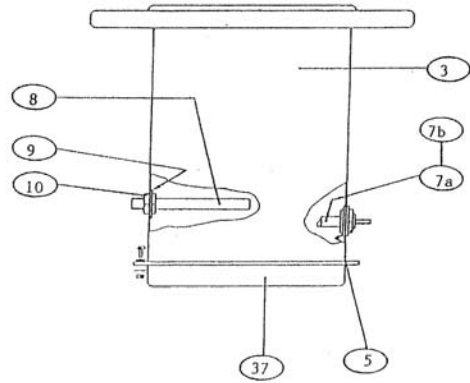
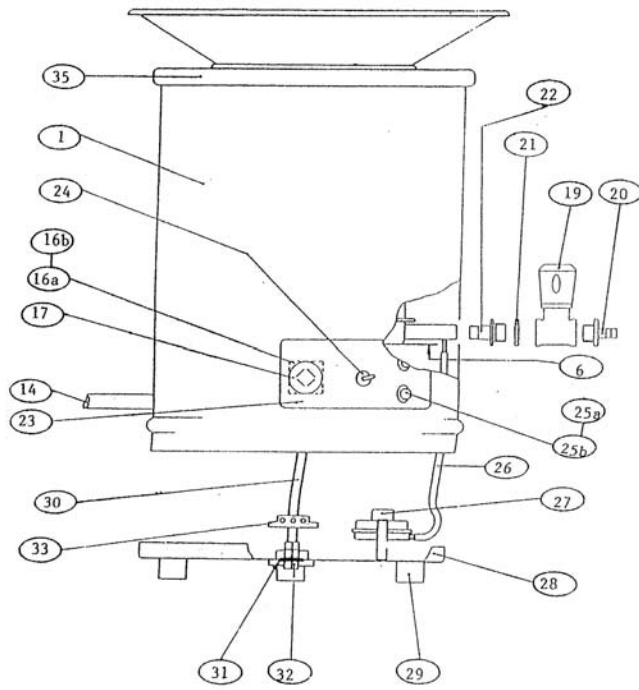
* – note – mains voltage input to TC-8D must match voltage of the SBS bath under use

SPARE PARTS LIST

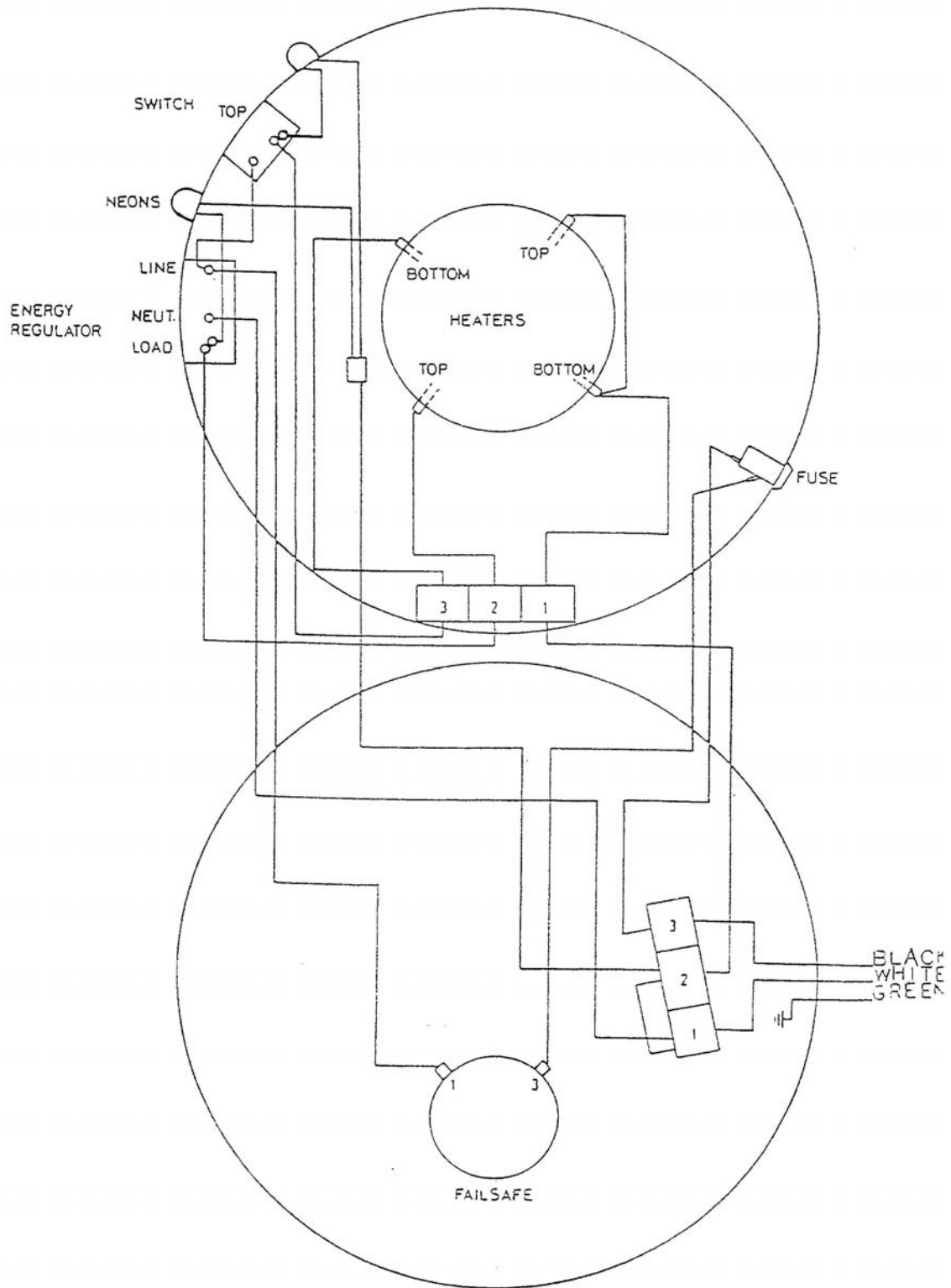
#	DESCRIPTION	SBS-2	SBS-4
1	Outer Case	7000633	7000513
2	Rim	7000635	-----
3	Inner Container	7000634	7000689
4	Porous Plate Support	7000690	-----
5	Porous Plate	7000576	7000493
6	Heat Shield	-----	7000504
7a	Heater Assy 117V	7000459	7000459
7b	Heater Assy 240V	6009955	6009958
8	Thermocouple	7001397	7001397
9	Washer, T/C	6001749	6001749
10	Nut, T/C	7001398	7001398
11	Terminal Block	7000510	7000510
12	Fuseholder	7001248	7001248
13	Fuse, 120v	7001250(10A)	7001249(15A)
13	Fuse, 240v	7002835(5A)	7001250(10A)
14	Power Cord	7001269	7001269
15	Strain Relief	7001270	7001270
16a	Regulator 117V	6001315	6001315
16b	Regulator 240V	6001104	6001104
17	Knob	6001341	6001341
18	Caution Label	7001262	7001262
19	Gate Valve	6002437	6002437
20	Barbed Nipple	7001261	7001261
21	Locknut	6001113	6001113
22	Air Inlet Connector	7001254	7001254
23	Front Label	6100365	6100367
24	Toggle Switch	-----	7000494
25a	Neon Indicator 117V	7000505	7000505
25b	Neon Indicator 240V	7001324	7001324
26	Tubing	7040049	7040049
27	Fail Safe Switch	6106011	6106011
28	Base	7000639	7000509
29	Foot Rubber	7000508	7000508
30	Threaded Rod	7000479	7000514
31	Washer, M8	7040079	7040079
32	Nut	7040078	7040078
33	Terminal Block	7000510	7000510
34	Insulation	7001367	7001367
35	Top Plate	-----	7000511
36	Top Plate Support (not shown)	-----	7000512
37	Air Chamber Assy	-----	7000541



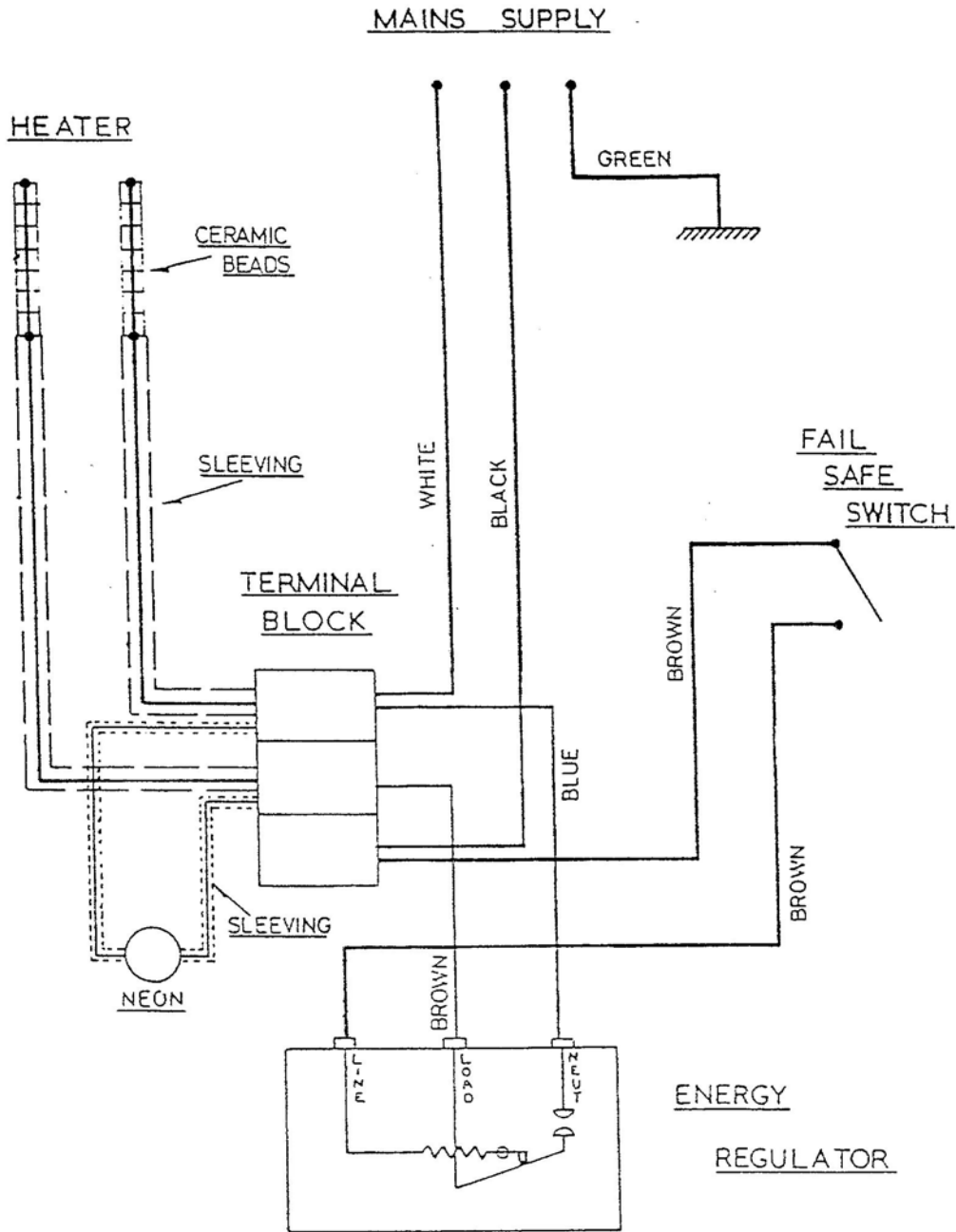
EXPLODED VIEW OF SBS-2



EXPLODED VIEW OF SBS-4



SBS-4 Wiring Diagram



SBS-2 Wiring Diagram

T  **USA**
Equipment
.NET

205 Westwood Ave
Long Branch, NJ 07740
1-877-742-TEST (8378)
Fax: (732) 222-7088
salesteam@Equipment.NET