



205 Westwood Ave, Long Branch, NJ 07740
Phone: 866-94 BOARDS (26273) / (732)-222-1511 | Fax: (732)-222-7088
E-mail: sales@touchboards.com | Site: www.touchboards.com

Diversitrack Assembly Manual

A photograph of a Diversitrack whiteboard assembly. The whiteboard is mounted on a silver metal track system, which is attached to a wall. The whiteboard is partially open, showing the track mechanism. The background is a plain, light-colored wall.

Diversitrack™
a moving classroom experience

Track Technology Systems, Inc.

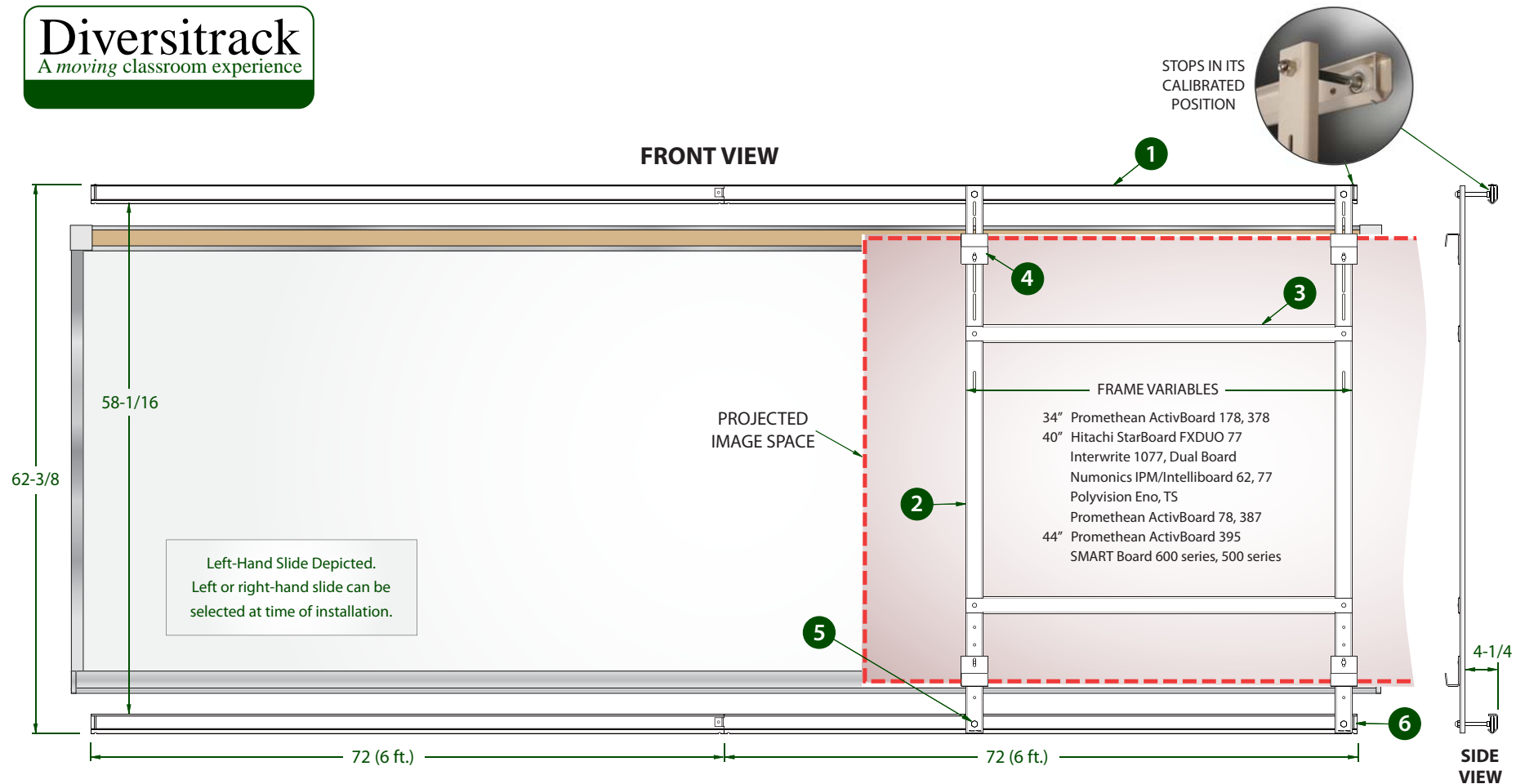
The logo for Touchboards features the word "Touchboards" in a bold, black, sans-serif font. The letters "T", "C", and "B" are each enclosed within a colored square frame: "T" is in a yellow frame, "C" is in a cyan frame, and "B" is in a red frame. The remaining letters "o", "u", "c", "h", "b", "o", "a", "r", "d", "s" are in black and are not enclosed in frames.

Touchboards

205 Westwood Ave, Long Branch, NJ 07740

Phone: 866-94 BOARDS (26273) / (732)-222-1511 | Fax: (732)-222-7088

E-mail: sales@touchboards.com | Site: www.touchboards.com



- 1 WR-72 Diversitrack Wall Rail 72" (optional WR-96)
- 2 CU-256 Diversitrack Carriage Upright

- 3 CC-xxx Cross Connector, "234", "240" or "244"
- 4 MC-xxx Mounting Clip, model specific

- 5 CR-2450 Carriage Roller Assembly
- 6 BP-2832 Wall Rail Binding Post

1	Introduction	
	General Mounting Guidelines	5
	Hardware Included	6
	Carriage Upright	7
	Track Frame Layed Out	8
2	Installation	
	Installing Rollers	9
	Cross Connector Assembly	10
	Attaching Clips	11
	Preparing for Tracks Installation	12
	Aligning Assembled Frame	13
	Upper Right Track Installation	14
	Positioning of Bottom Track	15
	Lower Right Track Installation	16
	Level Checking	17
	Connecting Tracks	18
3	Configuration	
	Completing installation	19
	Optional Accessories	20
4	Product Disclaimer	21
	Product Warranty	22

Tools

Pictured to the right are the basic tools required for Diversitrack installation:

- **Level**
- **Two 11/16" wrenches**
- **7/16" wrench**
- **Phillips screwdriver**

If available, ratcheting socket wrenches will expedite assembly.

Wall Fasteners

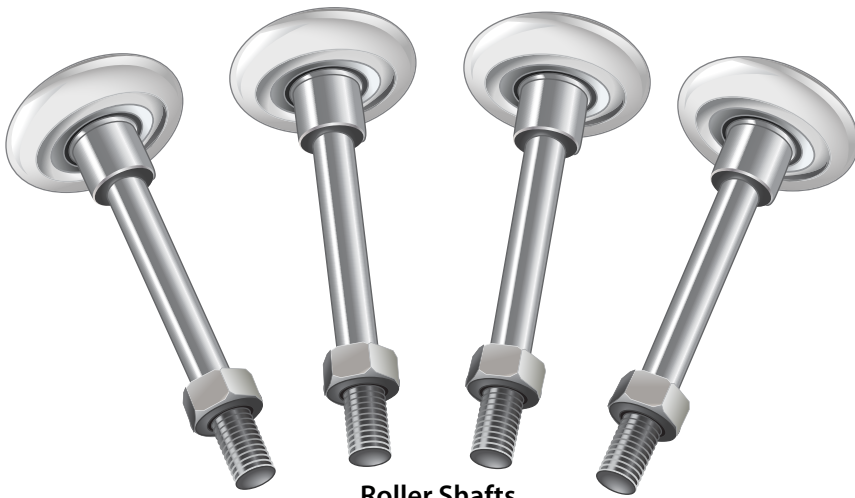
Because of the various wall mounting surfaces, fasteners and/or anchors and inserts are not included to mount tracks to wall.

We suggest the following:

- Dry Wall - molly anchor or toggle bolt
- Dry Wall/metal stud - fine thread sheet metal screw
- Cinder block/brick - Tapcon screw



Rollers



Roller Shafts



Washers

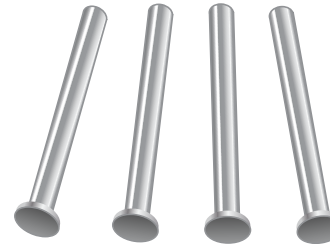


Acorn Nuts

Smaller Parts



Machine Screws



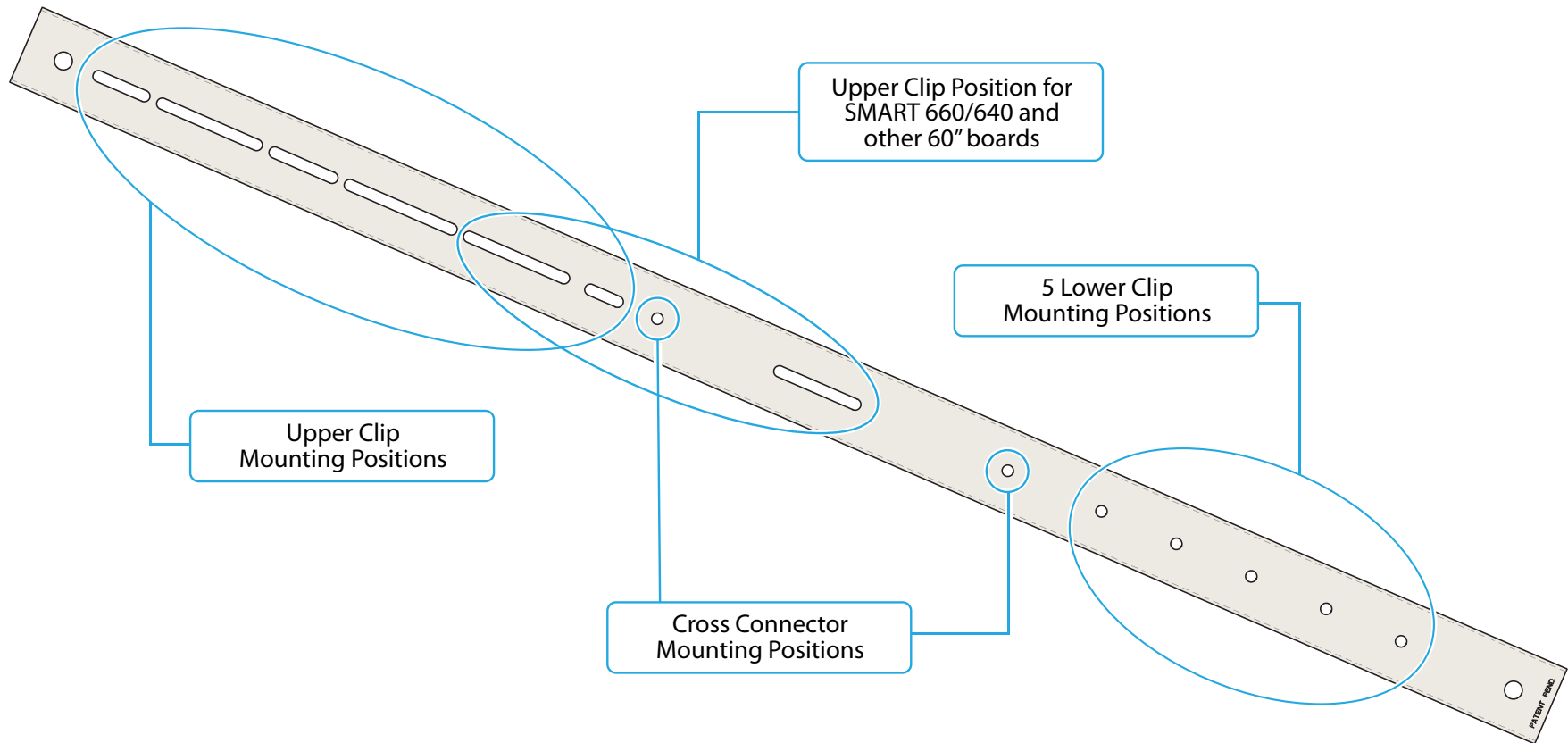
Pins

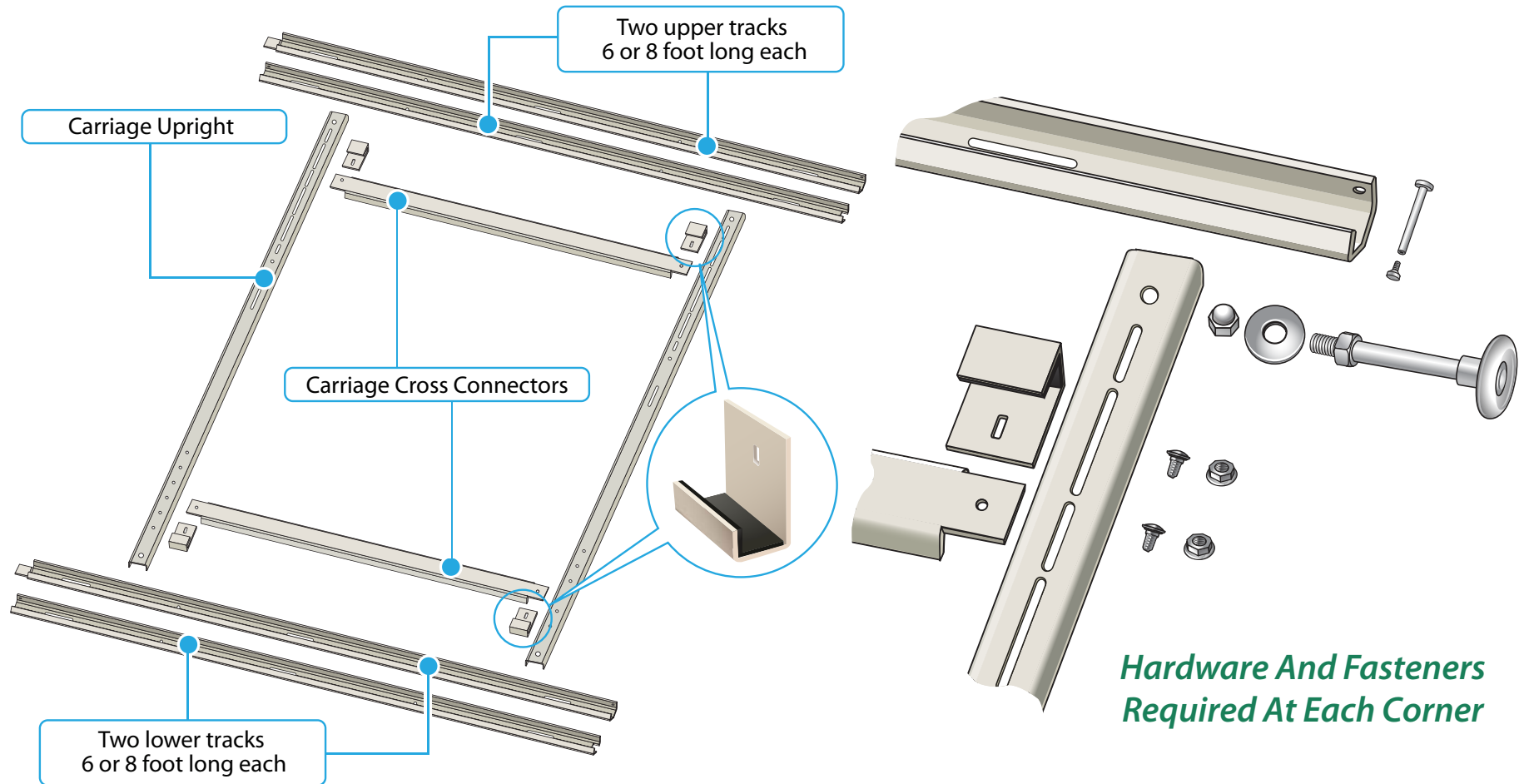


Hex Nuts



Carriage Bolts

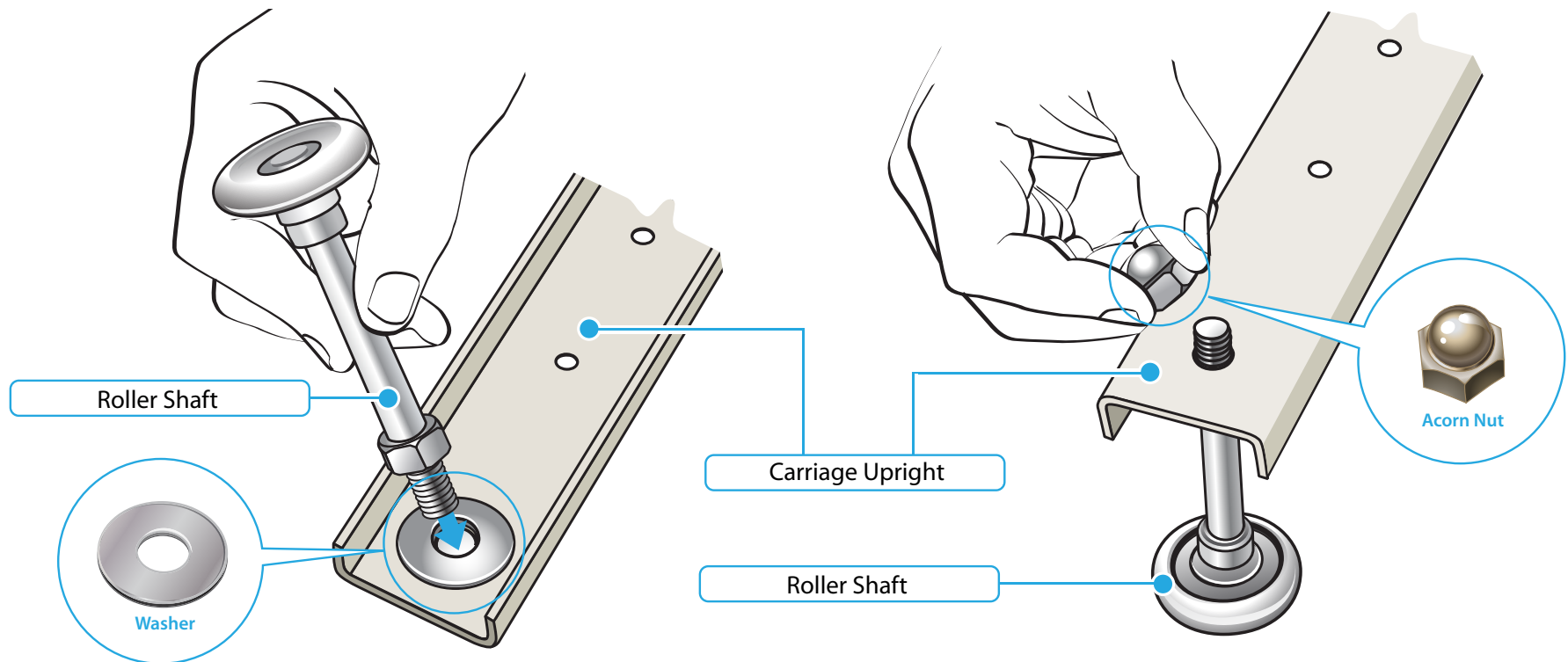




STEP 1 Install hex nut onto roller shaft and tighten.

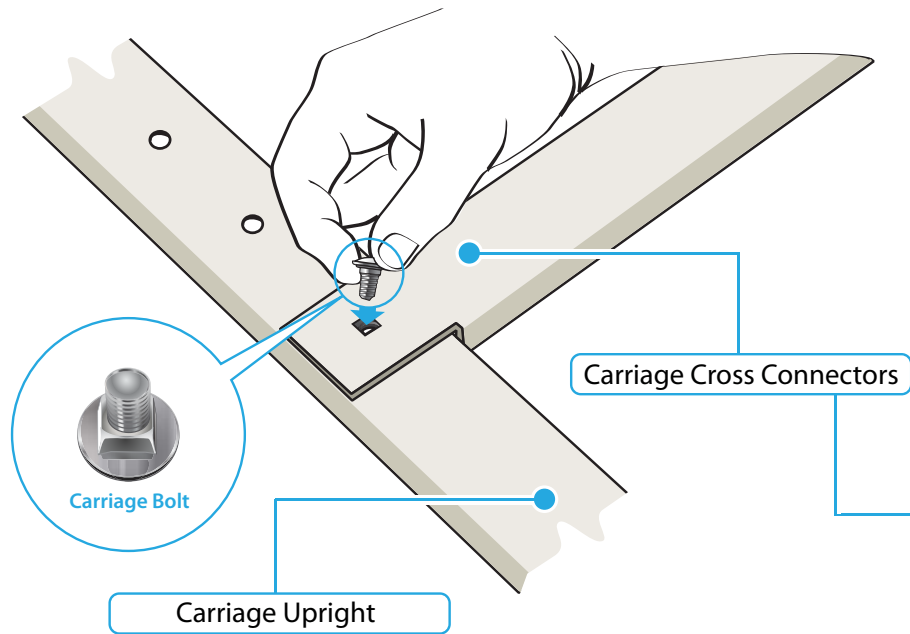
STEP 2 From the UNDER side of Carriage Upright, add washer and insert roller shaft into hole.

STEP 3 Turn Carriage Upright over to front side, install acorn nut and tighten.

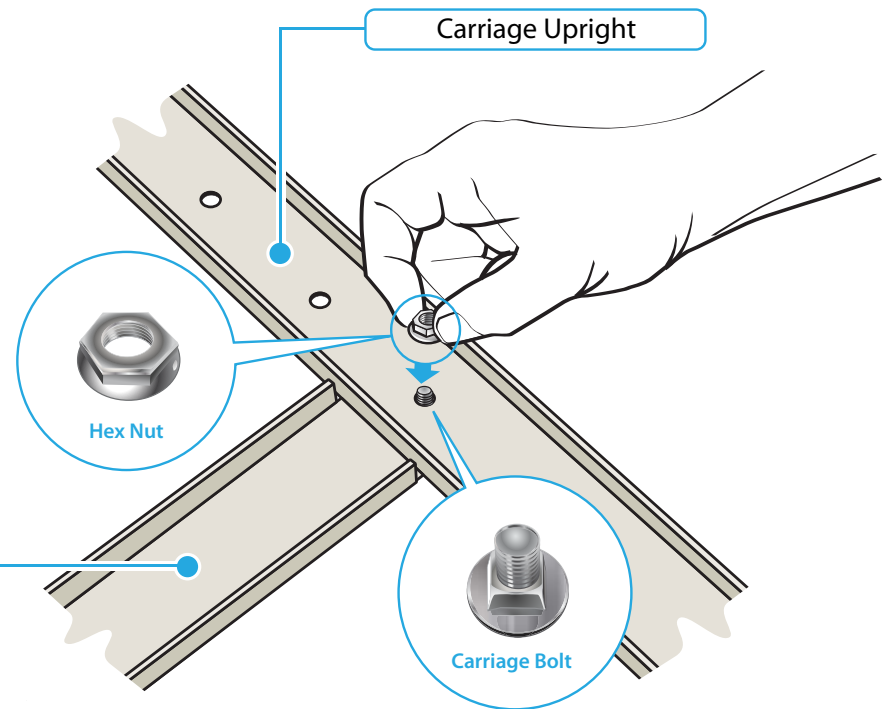


REPEAT ABOVE PROCEDURES FOR ALL FOUR CORNERS.

STEP 1 Attach end of Cross Connector with provided carriage bolt and nut. Insert carriage bolt from the front side.



STEP 2 From underside of Carriage Upright install serrated hex nut and tighten.

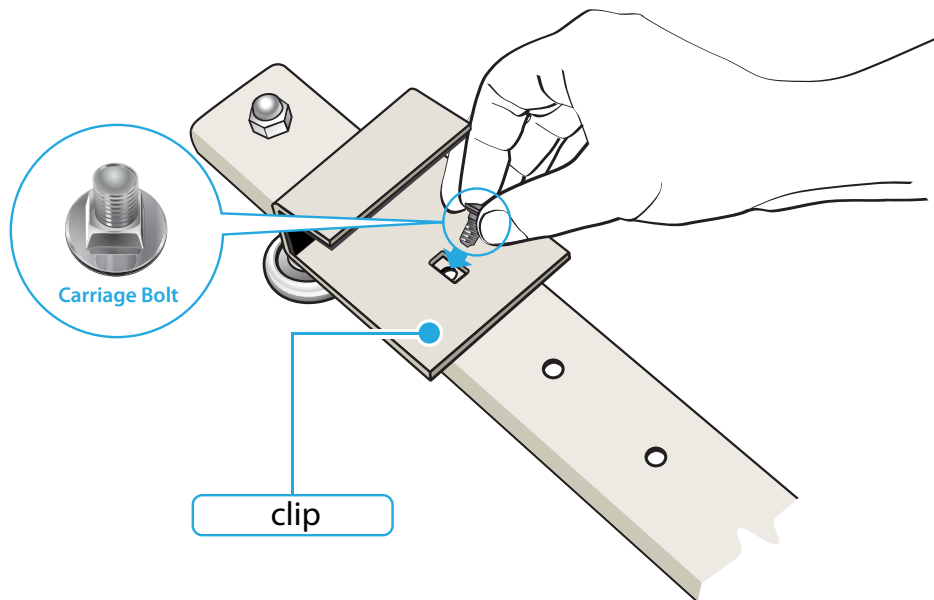


REPEAT ABOVE PROCEDURES FOR ALL FOUR CORNERS.

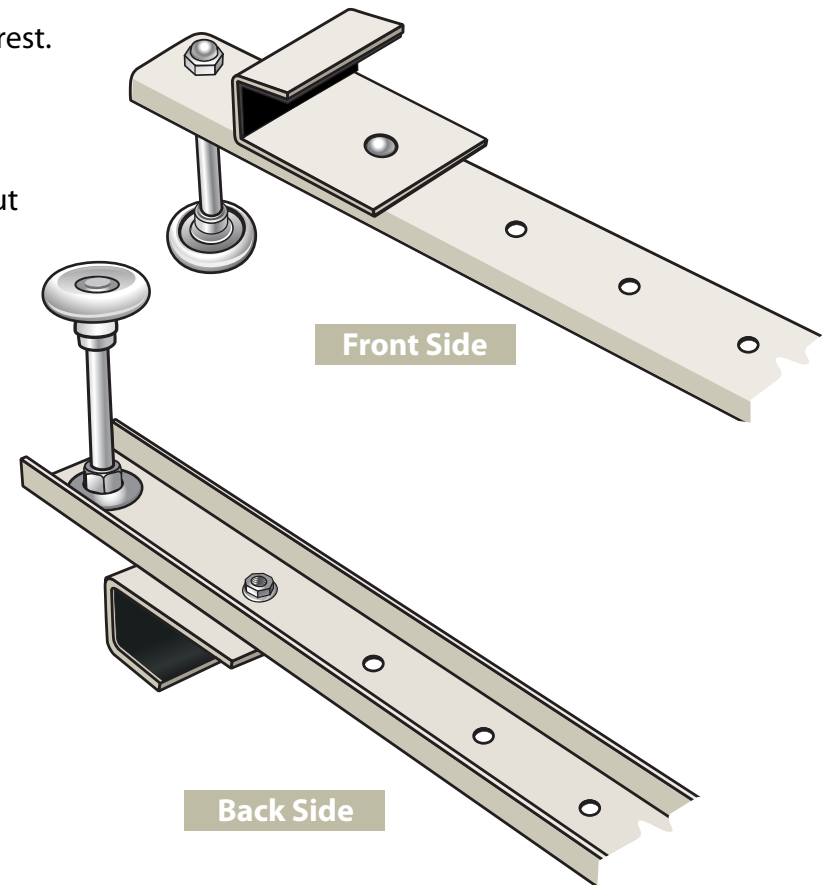
Clip Installation:

FOR NOW, only install TWO clips at adjacent corners. This will be the bottom of the frame into which your interactive whiteboard will rest.

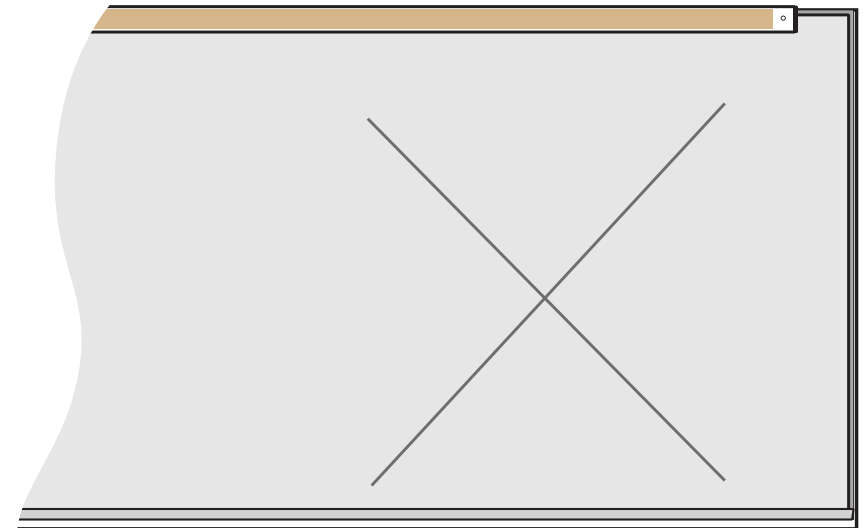
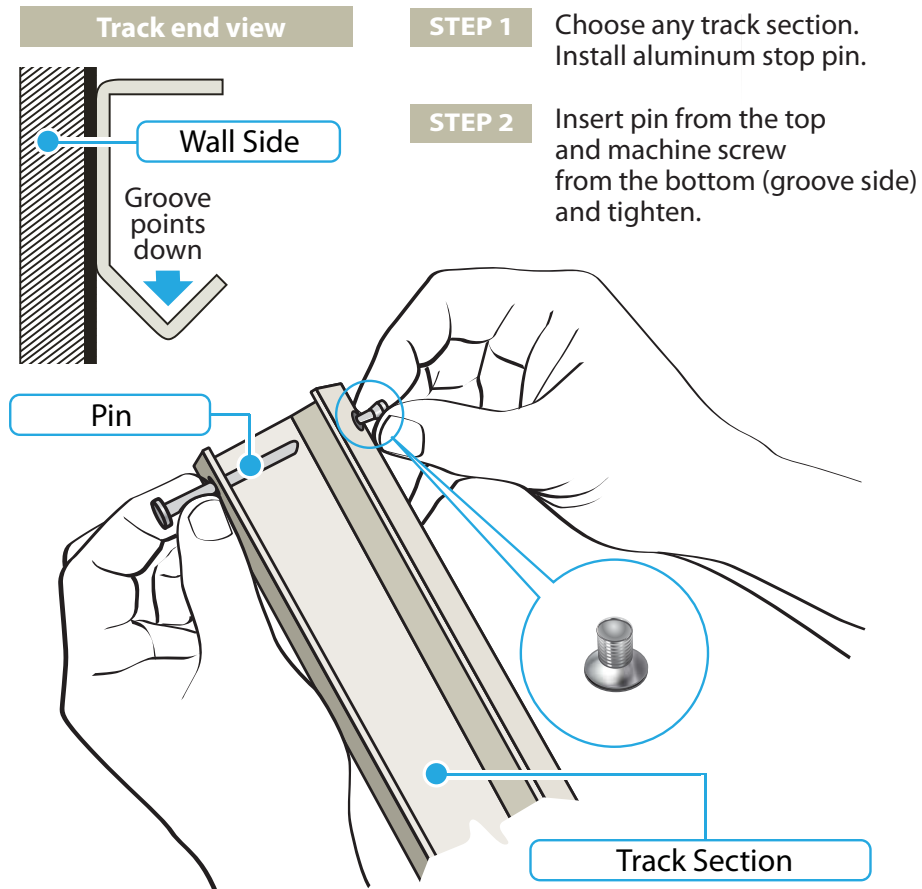
- STEP 1** Attach each clip with provided carriage bolt and nut.
- STEP 2** Insert carriage bolt from the front side.
- STEP 3** From underside of Carriage Upright install serrated hex nut and **ONLY FINGER-TIGHTEN** for now.



A Completed Corner!



Preparation for Diversitrack Track Section Installation.



STEP 3 At the point of installation, mark the target of your projected image space where you wish your interactive white board to be used.

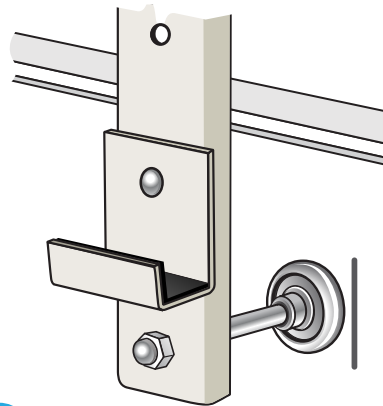
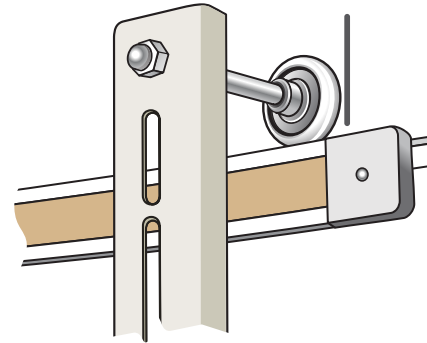
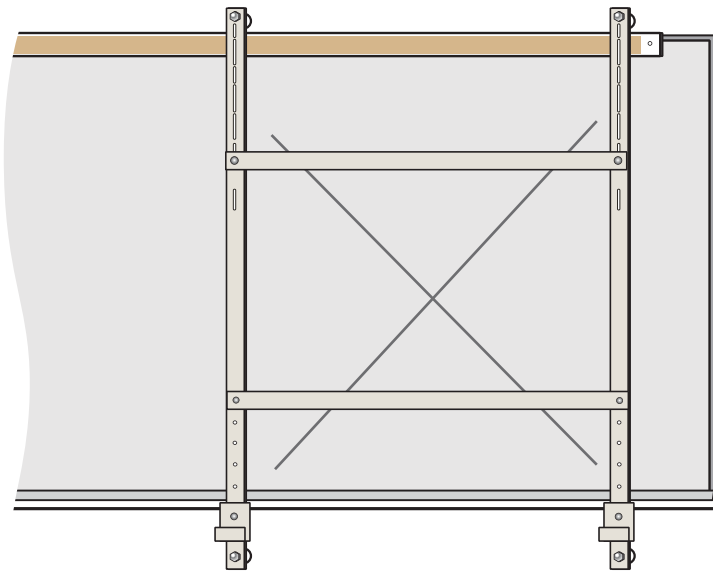


NOTE: in this example, we have chosen a *left-hand slide*. Simply reverse this if you want **Diversitrack** to slide out of the way to the right.

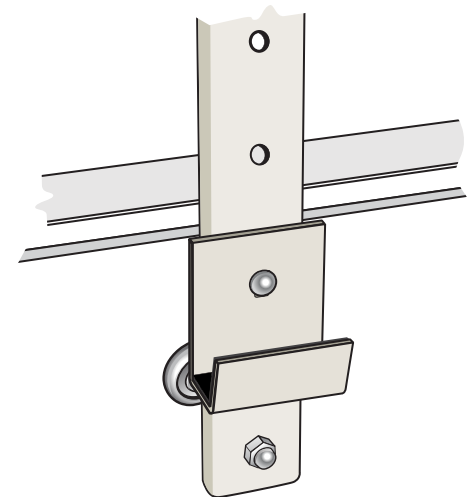
STEP 1 Locate your assembled Diversitrack frame and trial-fit/rest the top rollers on the top frame of your dry erase or chalk board.

STEP 2 Position the frame as close as possible to the center of your projected image space.

**Mark your lines
on this side
for a *left-hand* slide.**



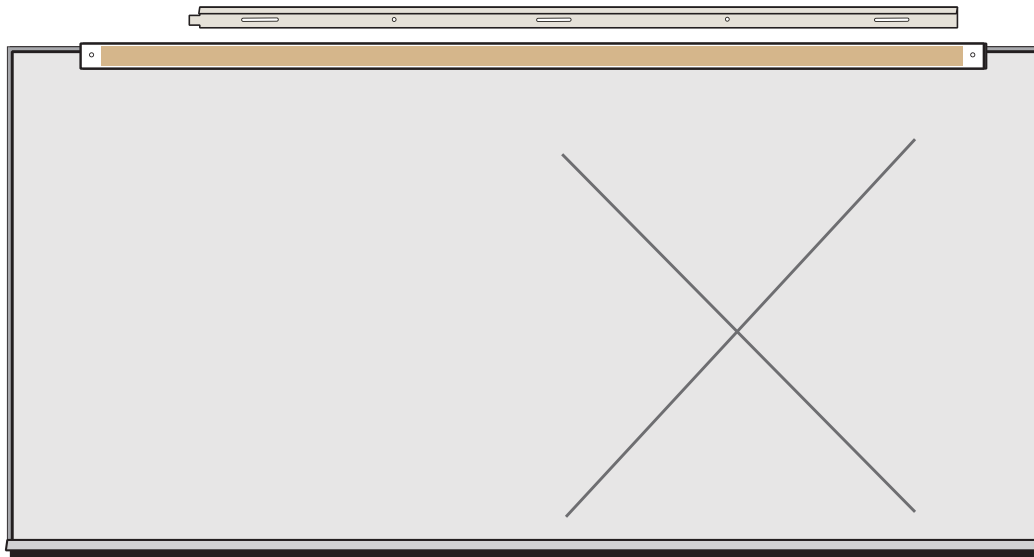
STEP 3 While holding the frame assembly still, strike a line at the edge of the rollers at top and bottom. This will be the end position of your track sections.



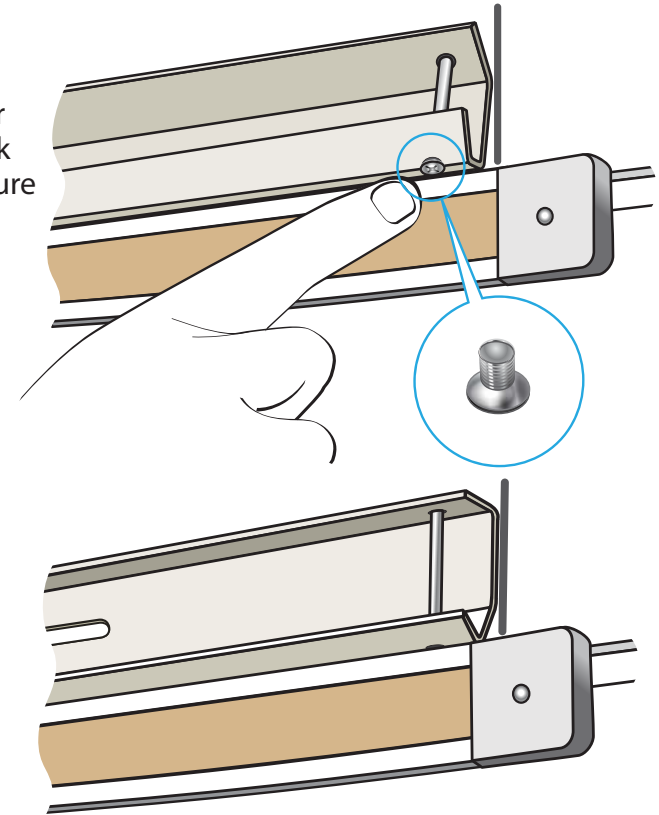
IMPORTANT: During this trial-fit, note the distance between the bottom of your chalk tray and the bottom of the Diversitrack clip where your interactive board will rest. Keep this in mind for your next steps and desired track positioning.

STEP 1 Remove the frame and set it aside. You are now ready to attach the upper right track section.

STEP 2 If you choose to mount Diversitrack up higher, as depicted here, be sure to use two or more identical shims to properly position and make sure it is level.

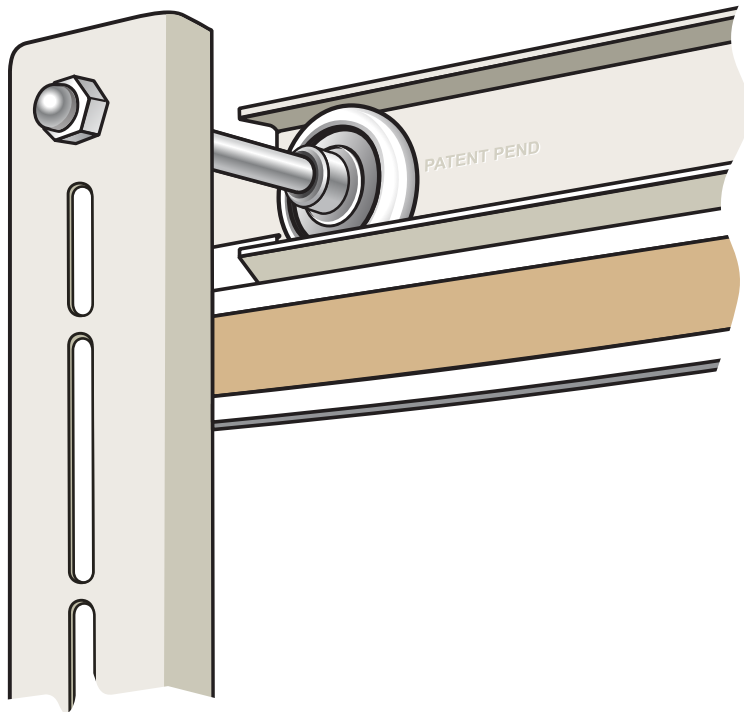


STEP 3 If instead you install it resting on the top of your existing dry erase or chalk board frame, first make sure the stop pin is installed.

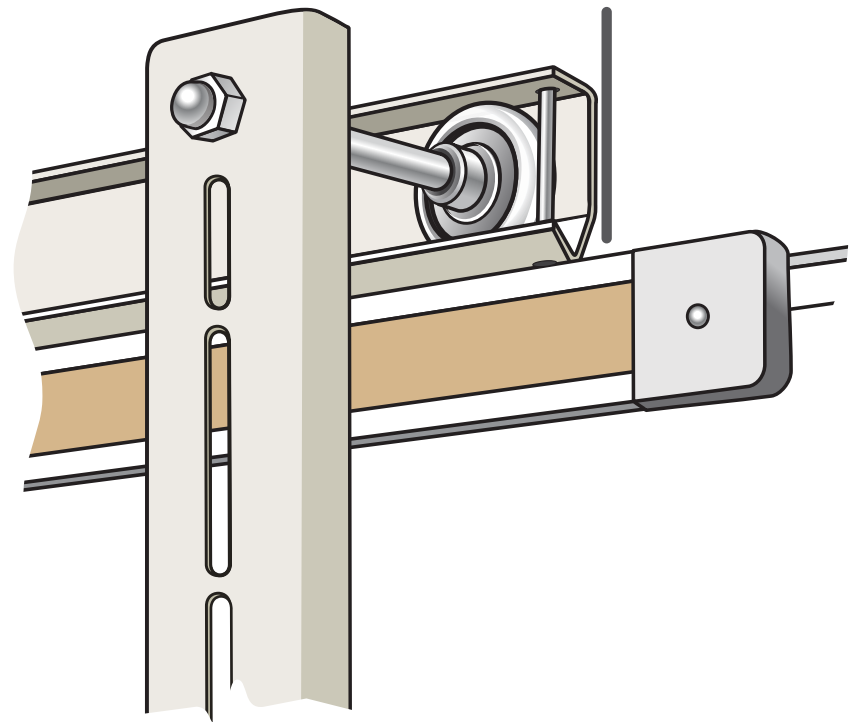


In either case, position the end of the track with your line and fasten securely using your choice of fasteners appropriate for your environment.

STEP 1 Once again, locate your frame assembly and slide the top two rollers into the upper right track from the side/open end.



STEP 2 Now slide the frame assembly all the way over and against the stop pin. This will assist in our next step, positioning the first bottom track section.

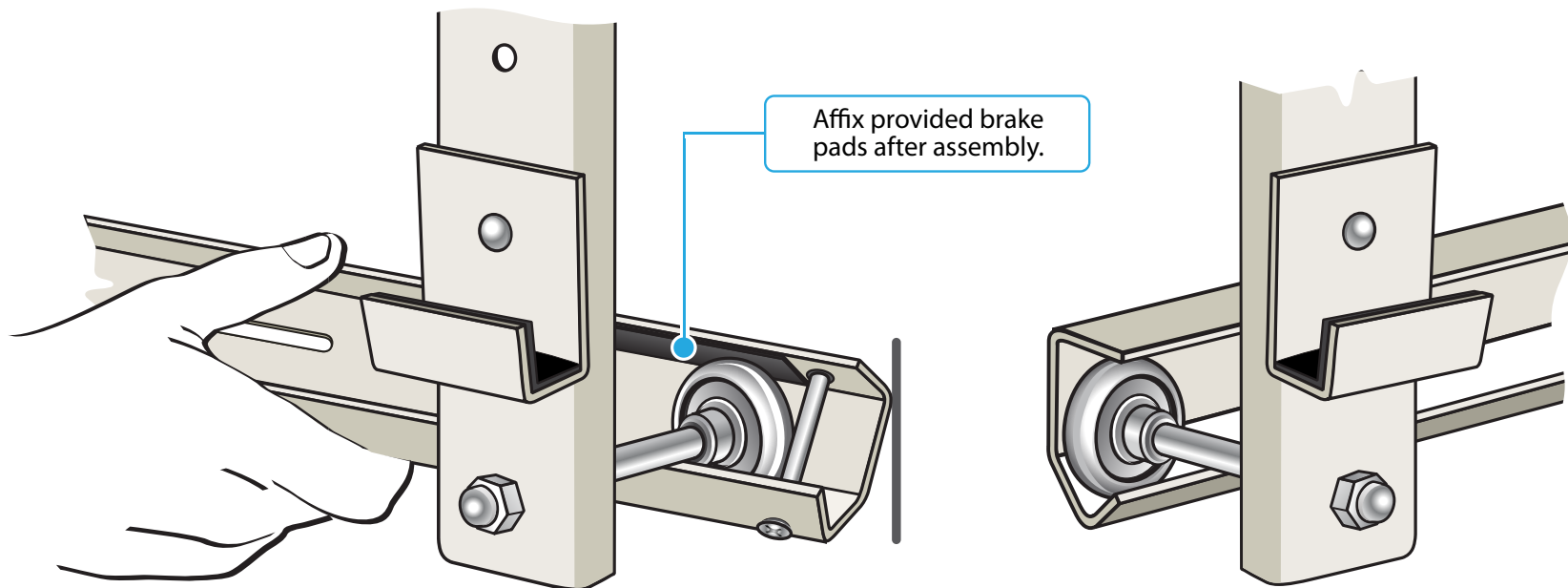


STEP 1 Now install the LOWER right track section. Locate another track section and be sure to install the stop pin.

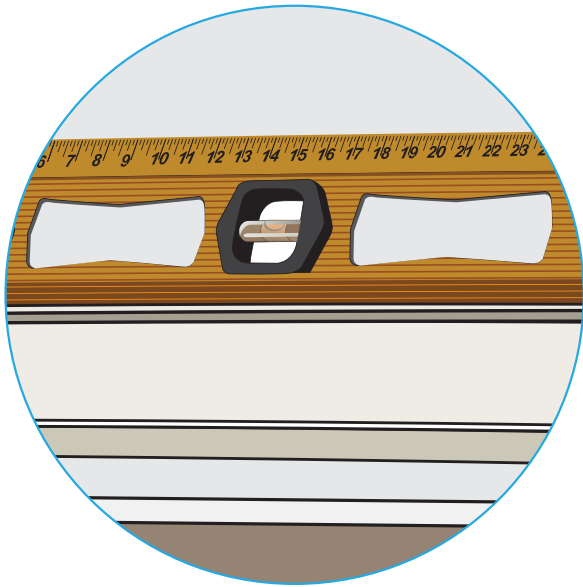
STEP 2 While holding this section at an angle, slip the bottom rollers into the groove and position the track section against the wall making sure the end lines up with our mark.

STEP 3 In all cases, be sure that after installing a track section that the rollers make contact with the bottom groove!

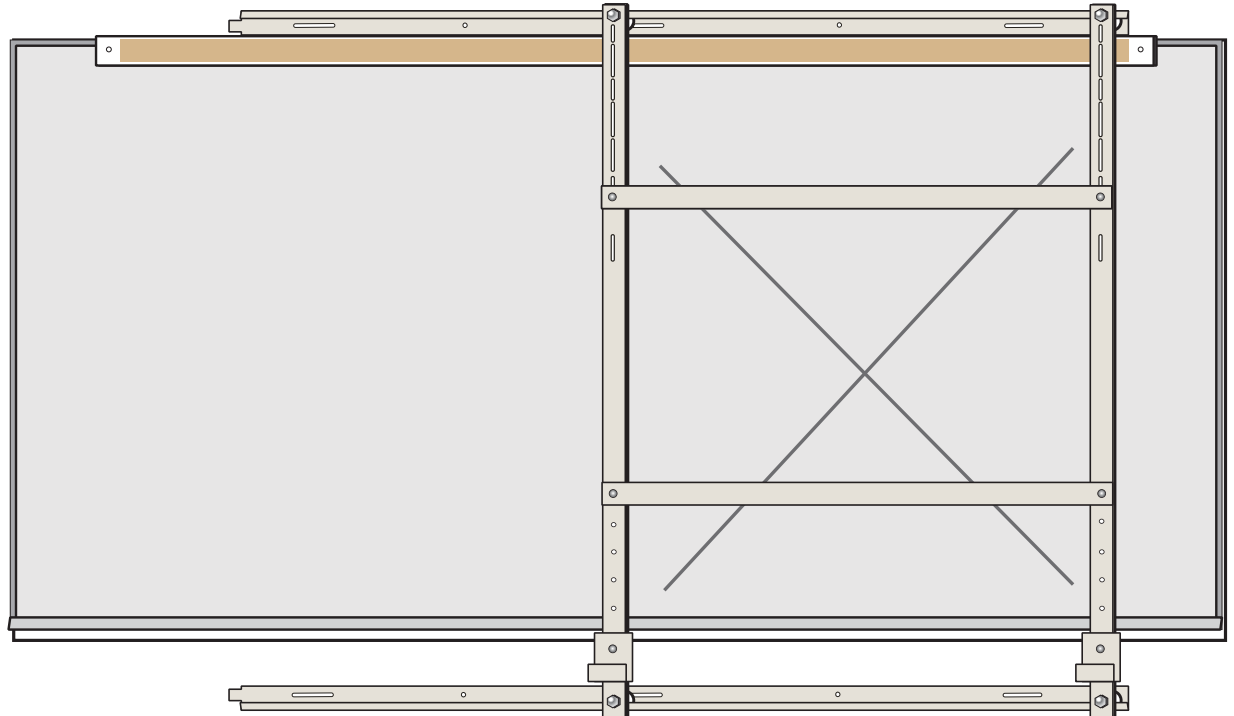
STEP 4 You will want to double check the top as well and may want to get a helping hand to hold the frame firmly in place while doing so.



STEP 1 Check that this track section is level and fasten to your wall.

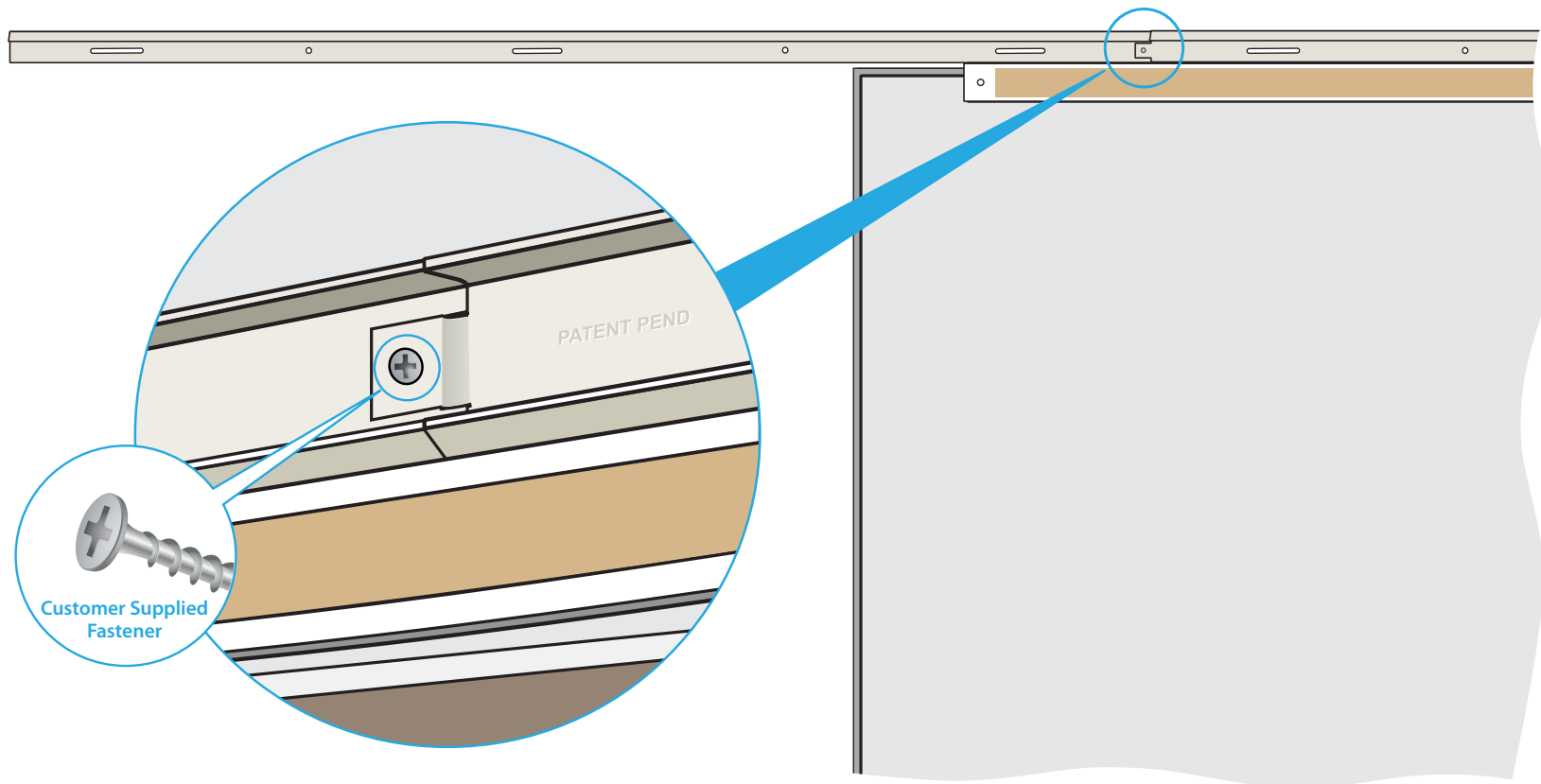


STEP 2 With your first two track sections in place, move the frame side to side to be sure it slides effortlessly.

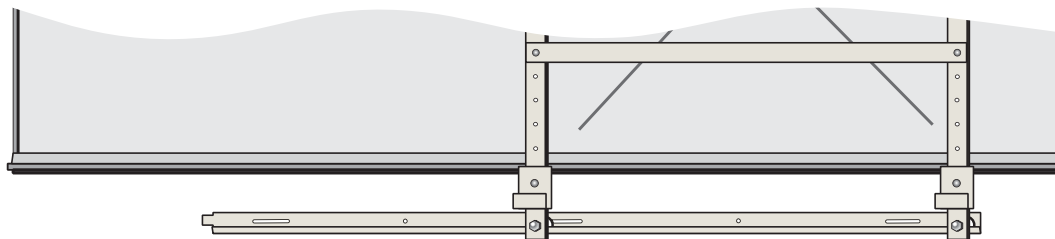


Next, complete the installation of the two left track sections. In our example below, our dry erase board doesn't extend to the left as far as a normal classroom.

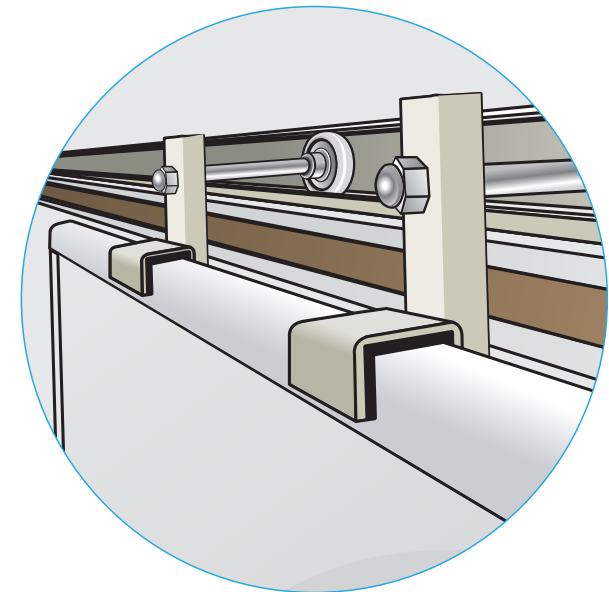
We again used a level to assure proper placement. Simply place the left track section against the right and fasten to the wall.



- STEP 1** As with the right side, move the frame over to the left to assist in installing the bottom left track section.
- STEP 2** Once again, install the stop pin on the left side of the track, tilt the track and drop the rollers into the groove.
- STEP 3** Check that it is level and fasten to the wall. The system is now installed!
- STEP 4** Move the frame the entire length to ensure ease of operation. You are now ready to place your interactive whiteboard in the frame.
- STEP 5** Position the board evenly in the center and rest the bottom in the two clips you installed at first.
- STEP 6** First, insert the carriage bolt from the inside of the clip matching up with the rectangular notch. The bolt will point back toward the wall.
- STEP 7** Slide these clips down and over the top frame of your interactive whiteboard directly in line with the Carriage Upright.

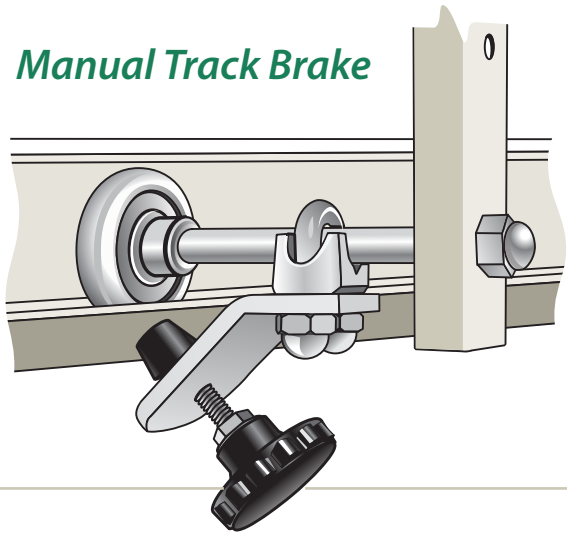


- STEP 8** Push the top of your interactive whiteboard up and against the top of the Diversitrack frame. You are now ready to install the top clips.
- STEP 9** Line up the bolt with the hole in the Carriage Upright, insert the bolt through the hole and fasten with the serrated flange nut. Once the top clips are in place, be sure to tighten the flange nuts securely behind ALL FOUR clips.



Your installation of Diversitrack is complete!

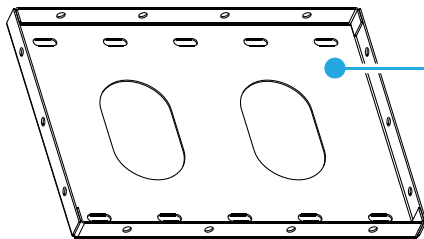
Manual Track Brake



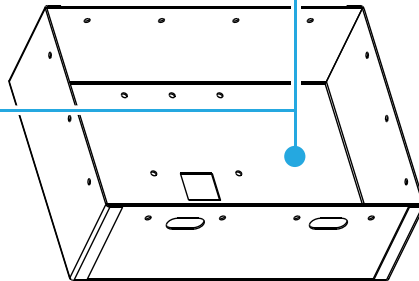
SMART i3 & IX Series

Diversitrack Wall Arm mounting system. Brings your projector mount surface outward to match Diversitrack and Diversimount. Plate is for short throw & ultra short throw projector arms.

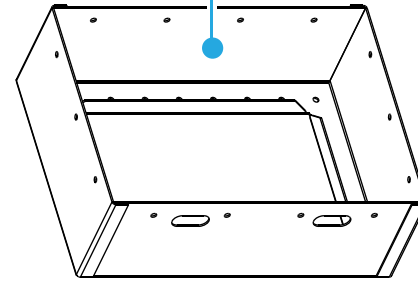
Plate and/or Box Enclosures Install Here.



Wall Mount Projector Plate



Projector Box Enclosure



Universal Box Enclosure for Hitachi A100, Epson & all others.

