

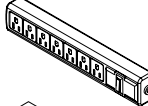
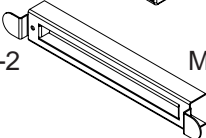
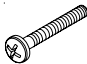

#66572

7 Outlet Electrical Assembly Diagram

*This 7 Outlet electrical is Part # 66572
and must be purchased separately.*

Touchboards 1-866-942-6273
205 Westwood Ave, Long Branch, NJ 07740

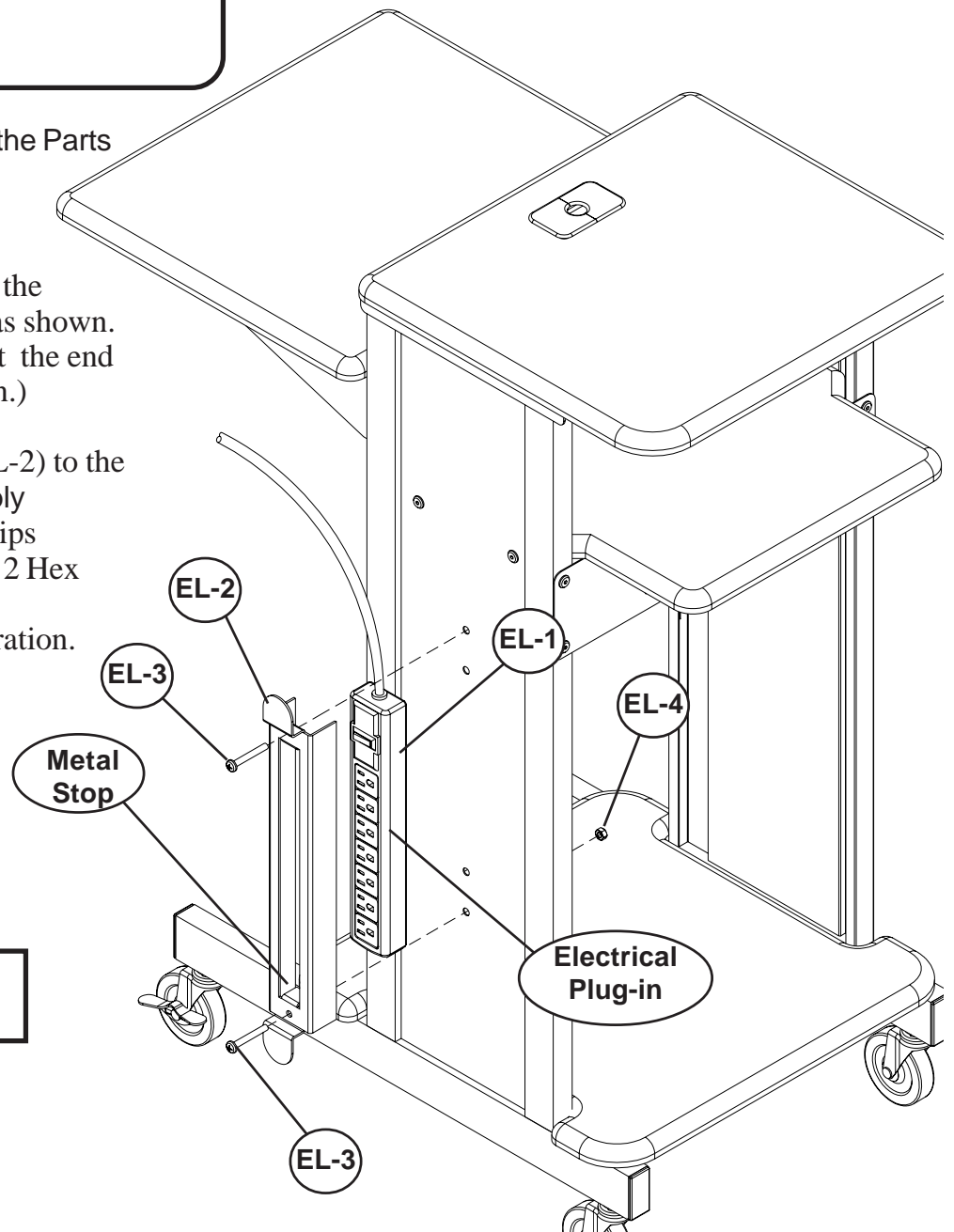
Parts/Hardware List

| | | | |
|------|--|-----------------------------|------|
| EL-1 |  | 7 Outlet Electrical | 1 EA |
| EL-2 |  | Metal Bracket w/Cord Winder | 1 EA |
| EL-3 |  | Phillips Head Screw | 2 EA |
| EL-4 |  | Hex Nut | 2 EA |

1.) Identify and Separate all the Parts
and Hardware.

2.) Slide Metal Bracket over the
Electrical Outlet (EL-1) as shown.
(note that Metal Stop is at the end
with the electrical Plug-in.)

3.) Attach Metal Bracket (EL-2) to the
Right or Left Leg Assembly
(P-1 or P-2) using 2 Phillips
Head Screws (EL-3) and 2 Hex
Nuts (EL-4) as shown in
Optional Electrical illustration.



**Optional Electrical
Illustration**