

EIKI

Installation Manual

AH-55201
AH-55301
AH-55401
AH-55501
AH-55601
AH-55701
AH-55801

Do not attempt to exchange the lens when the projector is installed hanging from the ceiling. Injury may occur if the lens cover and lens fall.

Before exchanging the lens, reset lens shift to the center position. (The lens shift is located at the center in the factory preset.)

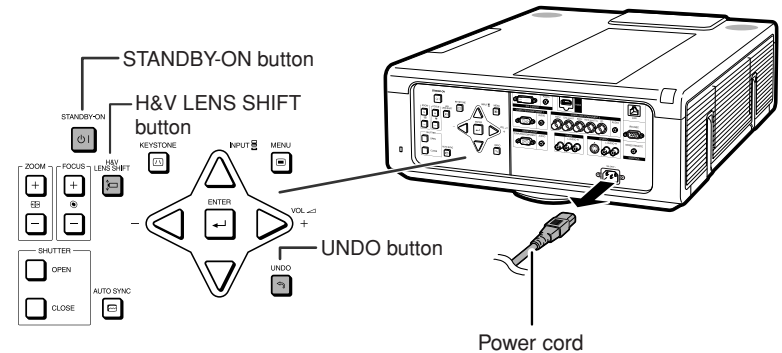
When resetting the lens shift to the center position, press **H&V LENS SHIFT** and then press **UNDO**.

- The lens shift reset screen will be displayed. Select "Yes" to reset.

1

Press **STANDBY-ON** on the projector or on the remote control to put the projector into standby mode.

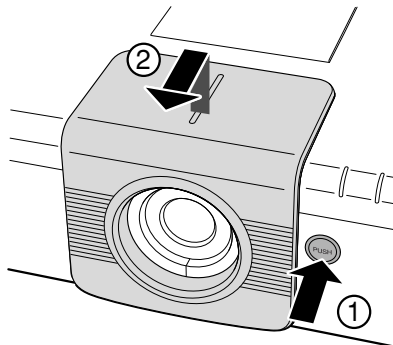
- Disconnect the power cord and unplug the power cord from the AC socket after the cooling fan stops.



2

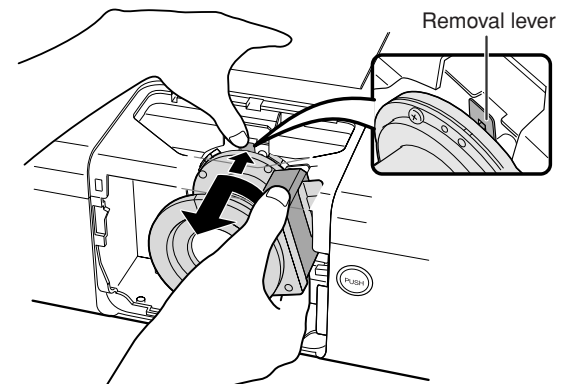
Remove the lens cover.

- Press the lens cover removal button (①). Slide the lens cover forward (②).



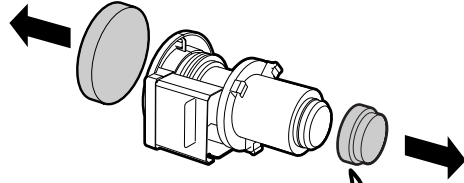
3

Turn the lens in the direction of the arrow while pressing the lens removal lever to pull the lens out.



4

Remove the lens cap from a replacement lens.



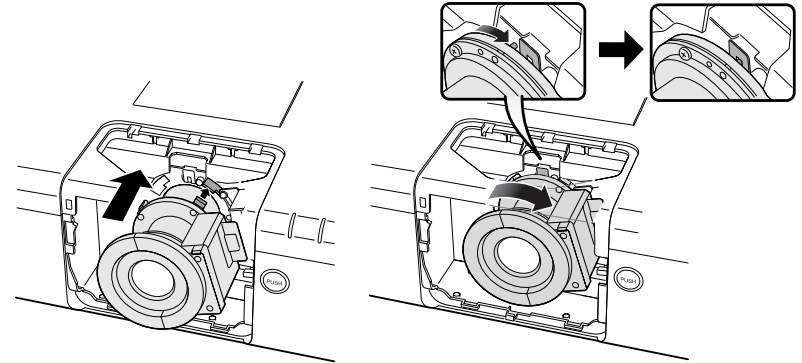
Info

If you try to attach the lens to the projector without removing this cap, the optional lens attachment part can be damaged.

5

Insert the hook of the replacement lens to the notch, and turn the lens in the direction of the arrow.

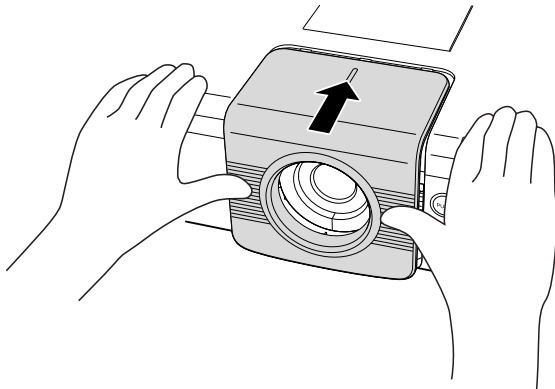
- Make sure that the lens is locked with the lens removal lever when you hear a click sound.



6

Slide and attach the lens cover.

- The power cannot be turned on unless the lens cover is fully inserted.



7

Select the correct lens type in “Lens Type” of “Menu”.

EIP-WX5000, EIP-WX5000L	
Attached lens	Lens Type
AH-55201	Type 1
AH-55301	Type 2
AH-55401	Type 3
AH-55501	Type 4
AH-55601	Type 5
AH-55701	Type 6
AH-55801	Type 7

Note

- For details, see the owner’s manual of the projector.

TOUCHBOARDS

1-866-942-6273 .COM

Printed in China
XXXXXXXXXXXXXX
08PXX-CH-NM