

EIKI

SERVICE MANUAL

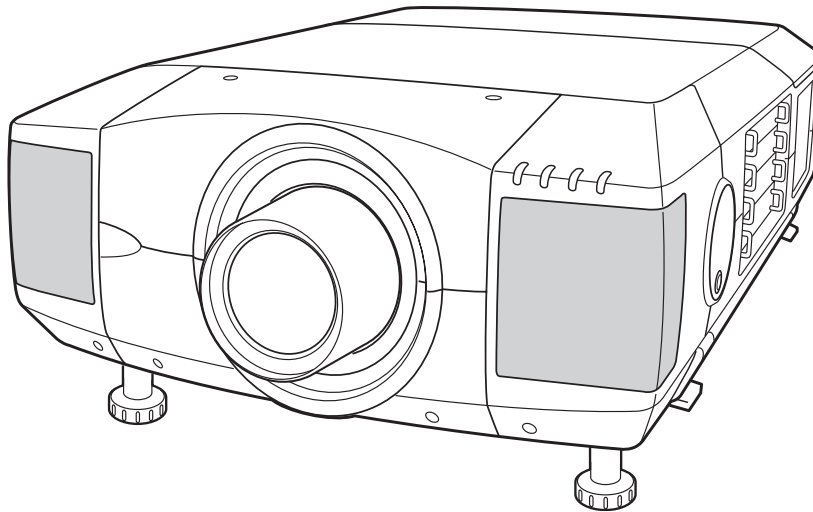
Multimedia Projector

MODEL NO. **LC-XT4U** U.S.A., Canada

LC-XT4E Europe

ORIGINAL VERSION

Chassis No. **KF6-XT4U00**
LF6-XT4E00



(Projection lens is optional.)

Give complete "Chassis No." for parts order or servicing, it is shown on the rating sheet on the cabinet on the projector.

FOREWORD

For your convenience, all service parts, identified in this manual are available through Eiki's normal distribution channels.

In addition to service part number, the generic descriptions have been given, where possible, to allow your service technicians to substitute equivalent components which might be available from other sources.

All orders for service parts will be honored. However, in instances where generic components are considered to be available from several common sources, as would be the case with an industry standard fuse, resistor, or semiconductor, it may be more economical and expeditious to purchase the part locally.

PRODUCT CODE :

LC-XT4U KF6B 1 122 342 01 U.S.A., Canada
LC-XT4E LF6B 1 122 343 01 Europe

REFERENCE NO. **SM5110785-00**

■ Contents

■ Contents	2
■ Safety Instructions	3
■ Specifications	4
■ Circuit Protections	5
■ Lamp Replacement	9
■ Maintenance and Cleaning.....	13
■ Mechanical Disassemblies	15
■ Optical Unit Disassemblies.....	39
■ Optical Parts Location and Direction	50
■ Troubleshooting.....	53
● No Picture	53
● No Power	58
● No Audio Output.....	62
● Temperature Abnormality.....	63
● Power Lens System Abnormality	64
● Lamp Abnormality	65
■ Optical Adjustments	66
● Adjustments after Parts Replacement (Optical Parts).....	66
■ Electrical Adjustments	77
● Adjustments after Parts Replacement (Electrical Parts)	77
● Service Adjustment Menu Operation	78
● Circuit Adjustments	79
● Service Mode Adjustment Menu	84
● Service Adjustment Data Table.....	86
■ Waveforms	94
■ Control Port Functions.....	95
■ IC Block Diagrams.....	101
■ Mechanical and Optical Parts list	109
■ Electrical Parts List.....	121

.....


Drawings & Diagrams A1-A25

■ Parts description and reading in schematic diagram	A2
■ Block Diagrams	A3
■ Schematic Diagrams	A4-A14
■ Printed Wiring Board Diagrams.....	A15-A24
■ Pins description of ICs, transistors, diodes	A25

■ Safety Instructions

SAFETY PRECAUTIONS


WARNING:

The chassis of this projector is isolated (COLD) from AC line by using the converter transformer. Primary side of the converter and lamp power supply unit circuit is connected to the AC line and it is hot, which hot circuit is identified with the line () in the schematic diagram. For continued product safety and protection of personnel injury, servicing should be made with qualified personnel.

The following precautions must be observed.

- | | |
|--|---|
| 1: An isolation transformer should be connected in the power line between the projector and the AC line before any service is performed on the projector. | DO NOT OPERATE THIS PROJECTOR WITHOUT THE PROTECTIVE SHIELD IN POSITION AND PROPERLY SECURED. |
| 2: Comply with all caution and safety-related notes provided on the cabinet back, cabinet bottom, inside the cabinet or on the chassis. | 4: Before replacing the cabinet cover, thoroughly inspect the inside of the cabinet to see that no stray parts or tools have been left inside. |
| 3: When replacing a chassis in the cabinet, always be certain that all the protective devices are installed properly, such as, control knobs, adjustment covers or shields, barriers, etc. | Before returning any projector to the customer, the service personnel must be sure it is completely safe to operate without danger of electric shock. |

PRODUCT SAFETY NOTICE

Product safety should be considered when a component replacement is made in any area of the projector. Components indicated by mark  in the parts list and the schematic diagram designate components in which safety can be of special significance. It is, therefore, particularly recommended that the replacement of these parts must be made by exactly the same parts.

SERVICE PERSONNEL WARNING

Eye damage may result from directly viewing the light produced by the Lamp used in this equipment. Always turn off Lamp before opening cover. The Ultraviolet radiation eye protection required during this servicing. Never turn the power on without the lamp to avoid electric-shock or damage of the devices since the stabilizer generates high voltages(approx.8kV) at its starts. Since the lamp is very high temperature during units operation replacement of the lamp should be done at least 45 minutes after the power has been turned off, to allow the lamp cool-off.

CAUTION

Not for use in a computer room as defined in the Standard for the Protection of Electronic Computer/Data Processing Equipment, ANSI/NFPA 75.
Ne puet être utilisé dans une salle d'ordinateurs telle que définie dans la norme ANSI/NFPA 75 Standard for Protection of Electronic Computer/Data Processing Equipment

CAUTION

RISK OF EXPLOSION IF BATTERY IS REPLACED BY AN INCORRECT TYPE.
DISPOSE OF USED BATTERIES ACCORDING TO THE INSTRUCTIONS.

■ Specifications

Projector Type	Multi-media Projector
Dimensions (W x H x D)	22.9" x 10" x 30.9" (581 mm x 252 mm x 783 mm)
Net Weight	80.3 lbs (36.5 kg)
LCD Panel System	1.8" TFT Active Matrix type, 3 panels
Panel Resolution	1024 x 768 dots
Number of Pixels	2,359,296 (1024 x 768 x 3 panels)
Color System	PAL, SECAM, NTSC, NTSC4.43, PAL-M and PAL-N
High Definition TV Signal	480i, 480p, 575i, 575p, 720p, 1035i, 1080i-50 and 1080i-60
Motorized Lens Shift	Up, Down, Left and Right
Scanning Frequency	H-sync. 15 ~ 120 KHz, V-sync. 50 ~ 120 Hz
Horizontal Resolution	800 TV lines
Projection Lamp	300 watt type x 4
Input 1 Jacks	DVI-I Terminal (Digital/Analog), RCA Type (Audio R and L) and DIN 8-pin (Control port)
Input 2 Jacks	BNC Type x 5 (R/Pr, G/Y, B/Pb, H/HV and V), RCA Type (Audio R and L) and DIN 8-pin (Control port)
Input 3 Jacks	BNC Type x 2 (VIDEO/Y, C), RCA Type (Audio R and L) and DIN 4-pin (S-Video)
Input 4 Jacks	HDB 15-pin Terminal (Analog), RCA Type (Audio R and L) and DIN 8-pin (Control port)
Other Jacks	Serial port in (DB 9), Serial port out (DB 9), USB port, Audio out (RCA Type R and L) and Wired Remote Jack
Feet Adjustment	0° to 5.7°
Voltage and Power Consumption	AC 120 V (16 A Max. Ampere), 50 / 60 Hz (The U.S.A and Canada) AC 200 ~ 240 V (9.0 A Max. Ampere), 50 / 60 Hz (Continental Europe)
Operating Temperature	41 °F ~ 95 °F (5 °C ~ 35 °C)
Storage Temperature	14 °F ~ 140 °F (-10 °C ~ 60 °C)
Remote Control Transmitter	Power Source : AA or R06 Type x 2 Operating Range : 16.4' (5m) / ±30° Dimensions : 1.97" x 1.06" x 6.61" (50mm x 27mm x 168mm) Net Weight : 4.4 oz (126 g) (including batteries)
Accessories	Owner's Manual (CD-ROM) Quick setup manual AC Power Cord Wireless/Wired Remote Control Transmitter and Batteries Remote Control Cable VGA Cable 6 Types Light-Block Sheet (For option lens) 2 Types Lens Attachment (For option lens) Real Color Manager Pro

- The specifications are subject to change without notice.
- LCD panels are manufactured to the highest possible standards. Even though 99.99% of the pixels are effective, a tiny fraction of the pixels (0.01% or less) may be ineffective by the characteristics of the LCD panels.



This symbol on the nameplate means the product is Listed by Underwriters Laboratories Inc. It is designed and manufactured to meet rigid U.L. safety standards against risk of fire, casualty and electrical hazards.



The CE Mark is a Directive conformity mark of the European Community (EC).

■ Circuit Protections

This projector provides the following circuit protections to operate in safety. If the abnormality occurs inside the projector, it will automatically turn off by operating one of the following protection circuits.

● Fuse

A fuse(F901) is located inside of the projector. When the POWER indicator is not lighting, the fuse may be opened. Check the fuse as following steps.

The fuse should be used with the following type;

PLC-XT4U

Fuse Part No.: 423 033 1804
TYPE 30.0A250V FUSE
SOC CORP. KST2 30A

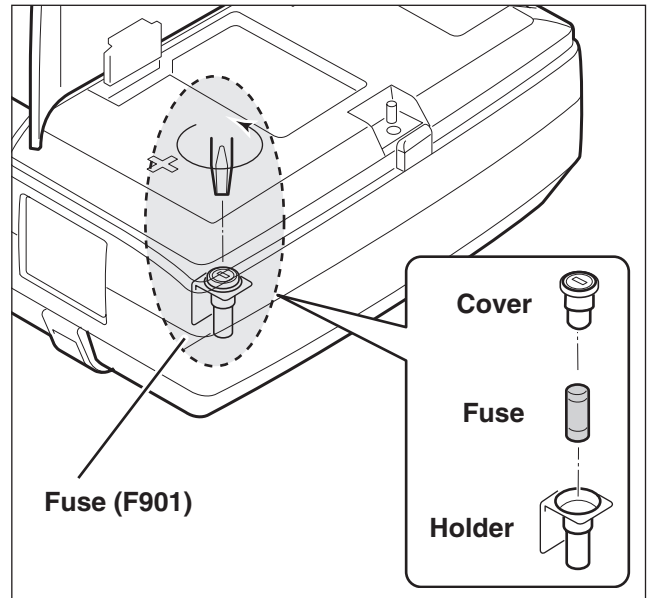
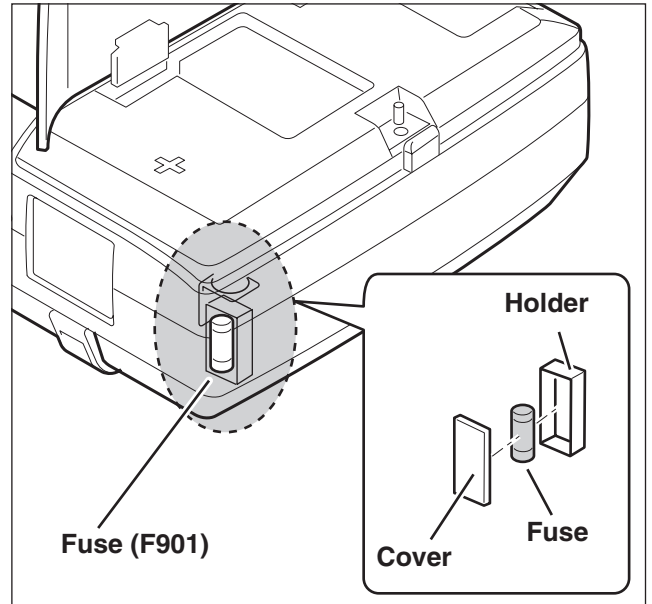
PLC-XT4E

Fuse Part No.: 423 028 4209
TYPE 15.0A400V FUSE
SOC CORP. SHV14 15A N4

How to replace the fuse

1. Remove the cabinet top following to "Mechanical Disassemblies".
2. Remove the cover and the fuse from fuse holder.

To install the fuse, take reversed step in the above.



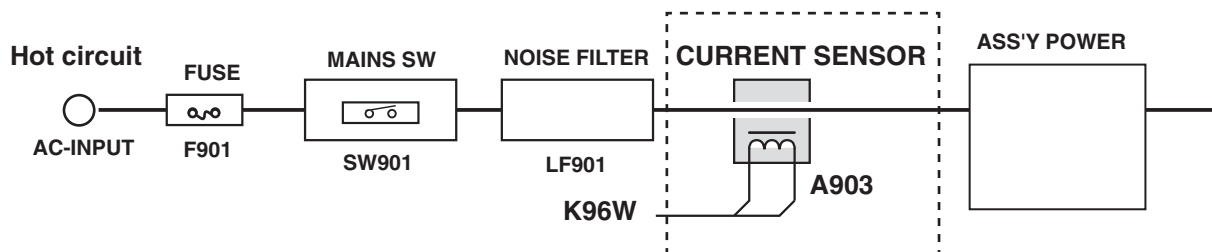
● AC Current Sensor

AC current sensor is used only for LC-XT4E.

The AC Current Sensor is provided to prevent damage to the power supply circuits.

When AC input voltage is under 108V at MAINS SW ON, the AC Current Sensor will be operated and the CPU does not turn the projector on, and both of READY and WARNING TEMP. indicators start flashing.

Check that the AC current sensor signal is correct. L : Abnormality



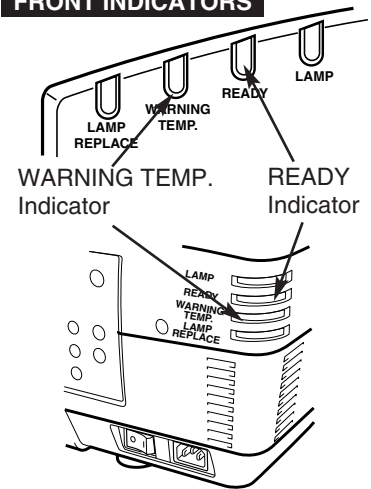
When both of the WARNING TEMP. and READY Indicators are flashing:

When the projector detects an internal problem, it will shut down automatically and both of the WARNING TEMP. and READY Indicators starts flashing. In this condition, the projector cannot be turned on even if you press the POWER ON-OFF button on the remote control unit or on the side control. If this case happened, disconnect and reconnect the AC power cord, and then turn on the projector again to check its operation. If the projector shuts down again or fails to be turned on, the internal check and repair will be required.

Check items listed below;

- **Power Failure Protection**
- **AC Current Sensor** (See the previous page.)
- **Temperature Check of Lamps**
- **Lamp Cover Switch**

FRONT INDICATORS



REAR INDICATORS

● **Power Failure Protection**

Power failure protection diodes detect abnormal voltage on the power supply circuits or the fan operation stop.

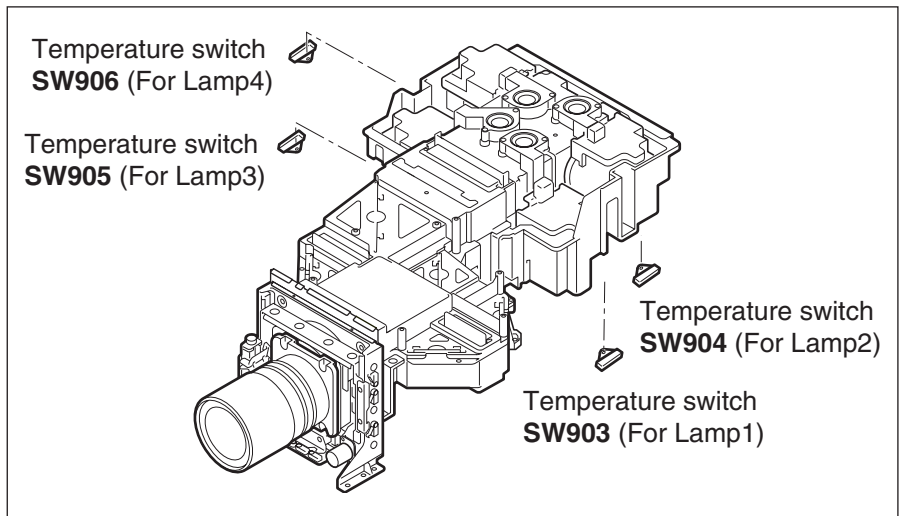
● **Temperature Check of Lamps**

Temperature switches (SW 903~906) are arranged near the four lamps. Temperature switches will operate, if temperature reaches 110 degrees.

Temperature switches
--- open at 110 degrees.

- SW903 ---Lamp1
- SW904 ---Lamp2
- SW905 ---Lamp3
- SW906 ---Lamp4

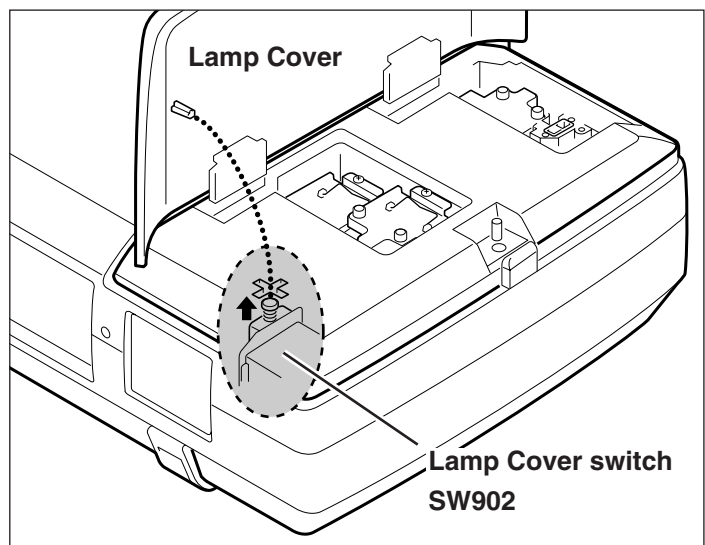
When temperature switches become open, they cut off 12V_PFC line to PFC(power factor control) unit, and then a projector will be shut down.



● **Lamp cover switch**

When the lamp cover is removed or no close completely, the lamp cover switch (SW902) cuts off 12V_PFC line to the PFC unit, and then a projector will be shut down.

After opening the lamp cover for replacing the lamp unit, place the lamp cover correctly, otherwise the projector can not be turned on.



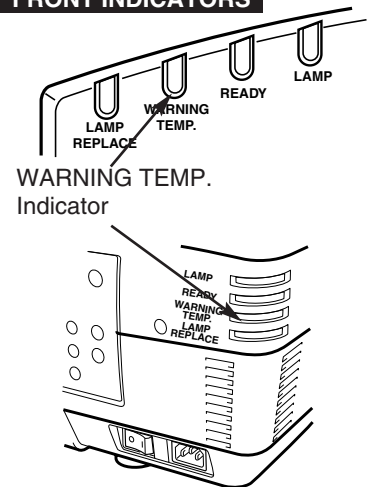
When the WARNING TEMP. Indicator is flashing:

The WARNING TEMP. Indicator flashes red to let you know the internal temperature of the projector exceeds the normal level. If the temperature goes up further, the projector will be turned off automatically and the Ready indicator will go out. (The WARNING TEMP. Indicator continues flashing.) After the cooling-off period, the READY Indicator lights on again and the projector can be turned on by pressing the POWER ON-OFF button on the remote control unit or on the side control. When you turn on the projector, the WARNING TEMP. Indicator will go out.

If the WARNING TEMP. Indicator is still flashing, check items listed below;

- Installation
- Air Filter
- Temperature Monitor System

FRONT INDICATORS



REAR INDICATORS

● **Installation**

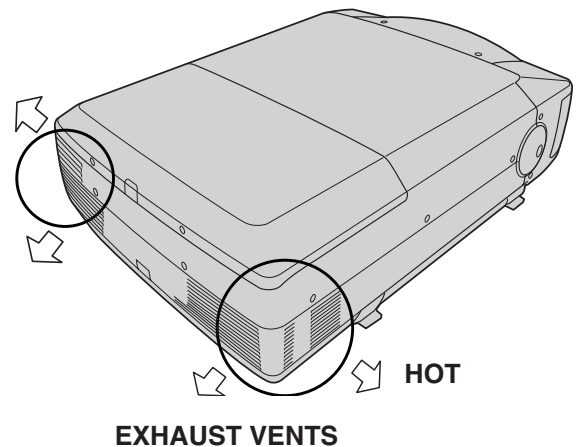
- Air filter is clogged with dust particles. Remove dust from the air filter by following instruction in the "Air filter care and cleaning".
- Ventilation slots of the projector are blocked. In such case, reposition the projector so that ventilation slots are not obstructed.
- Check if projector is used at higher temperature place (Normal operate is 5 to 35°C or 41 to 95°F)



HOT AIR EXHAUSTED !

Air blown from exhaust vent is hot. When using or installing a projector, following precautions should be taken.

- Do not put flammable objects near these vents.
- Keep rear grills at least 3' (1m) away from any object, especially heat-sensitive object.
- Do not touch this area, especially screws and metallic parts. This area will become hot while a projector is used.

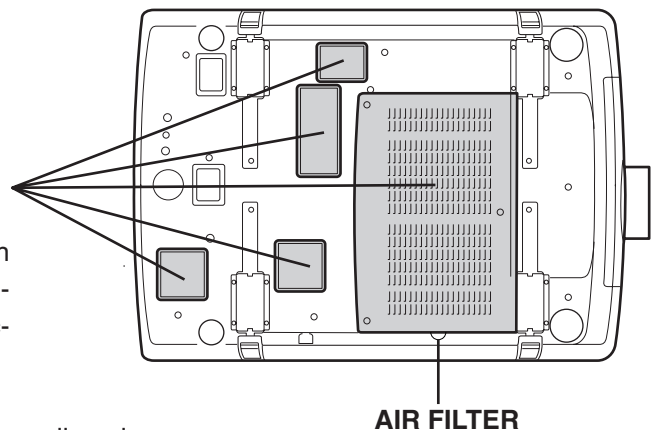


● **Air Filter**

AIR INTAKE VENTS

This projector is equipped with cooling fans for protection from overheating. Pay attention to following to ensure proper ventilation and avoid a possible risk of fire and malfunction.

- Do not cover vent slots.
- Keep bottom clear any objects. Obstructions may block cooling air.



● Temperature Monitor System

■ To control the driving power of the cooling fans.

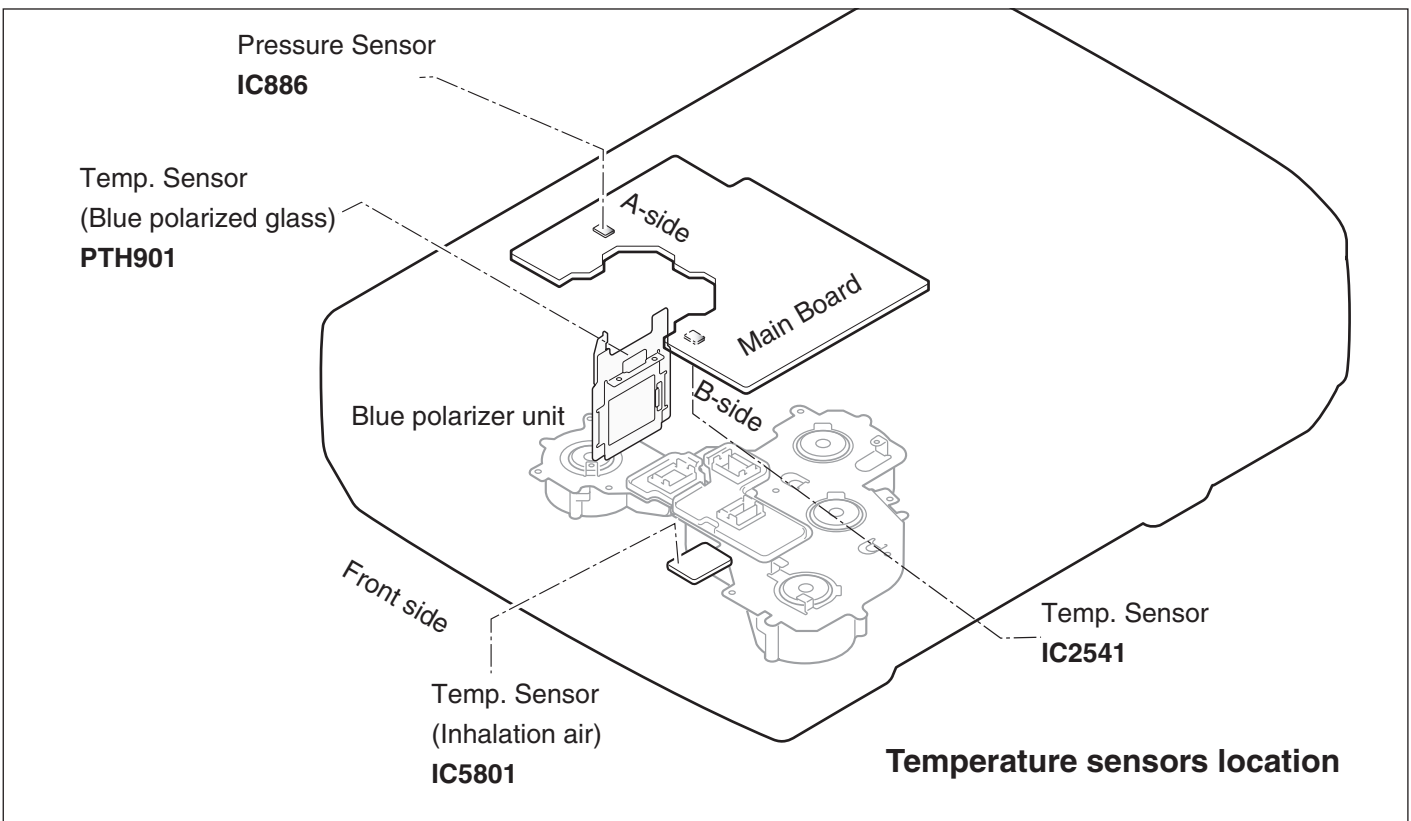
This projector detects internal temperature and automatically controls operating power of cooling fans.

The CPU checks the temperature and atmospheric pressure inside a projector. It checks a temperature using temperature sensor-IC5801 and it checks an atmospheric pressure using pressure sensor-IC886.

The CPU controls the driving power of the cooling fans so the temperature inside the projector is maintained to normal temperature.

■ To shut down the projector.

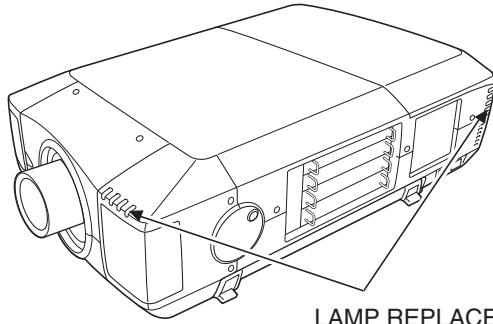
The CPU checks temperature of Blue polarized glass (PTH901) and inhalation air(IC5801). If each part temperature reaches to abnormal temperature, the CPU will turn off a projector, and will blink WARNING TEMP. indicator at intervals of 0.5 seconds. Cooling fans operate until temperature returns to normal. WARNING TEMP. indicator will stop blink, if temperature returns to normal.



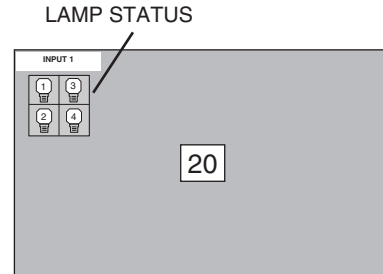
■ Lamp Replacement

LAMP MANAGEMENT (before replacement)

This Projector is equipped with 4 Projection Lamps to ensure brighter image and those lamps are controlled by Lamp Management Function. Lamp Management Function detects status of all lamps and shows status on screen or on LAMP REPLACE indicator. This function also automatically controls Lamp Mode when any of lamps is out for end of life or malfunctions.



LAMP REPLACE INDICATOR

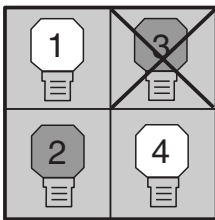


Lamp Replace Indicator

This LAMP REPLACE indicator lights yellow when any of Projection Lamps is nearing its end, and flashes when any of them becomes out. Check number of lamp on Lamp Status Display and replace lamp.

Lamp Status Display

Lamp Status Display appears on screen when power switch is on or changed input position (input 1, input 2, Input 3 or input 4). This shows status of each lamp as; ON, OFF, NEAR END, or OUT. Refer to following for each status.



LAMP STATUS DISPLAY

Yellow Lamp ----- Projection Lamp lights normally.

Dim Lamp ----- Projection Lamp is turned off.

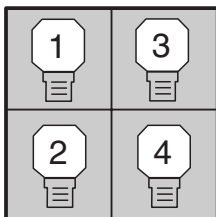
Red Lamp ----- Projection Lamp is nearing its end. When image becomes darker or color becomes unnatural, replace lamp. (LAMP REPLACE indicator lights yellow.)

X Mark on Lamp ----- (LAMP REPLACE indicator flashes yellow.)
Projection lamp is defective or fails to be turned on. Restart a projector on, and make sure lamp is on. If this mark still appears, replace lamp corresponding with number marked X.

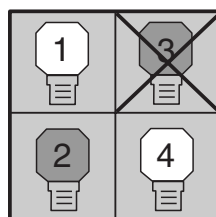
Lamp Mode Changeover

Lamp Management Function automatically changes combination of lighting lamp (Lamp Mode) by detecting status of lamp. When any of 4 lamps becomes out, Lamp Mode is changed over from 4 lamps to 2 lamps. And when any of 2 lamps are out, a projector operates with 1 lamp. But, in case of combination that the Lamp of 1-4, or 2-3 does not light up, it becomes a 2 lamps mode.

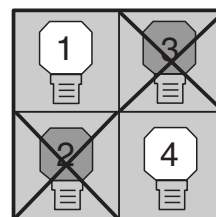
Lamp Mode can be switched to 4 lamps or 2 lamps manually. Refer to SETTING section of Owner's manual.



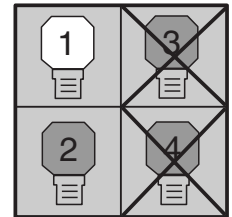
4 LAMP MODE



2 LAMP MODE (Example)



2 LAMP MODE (Example)



1 LAMP MODE (Example)

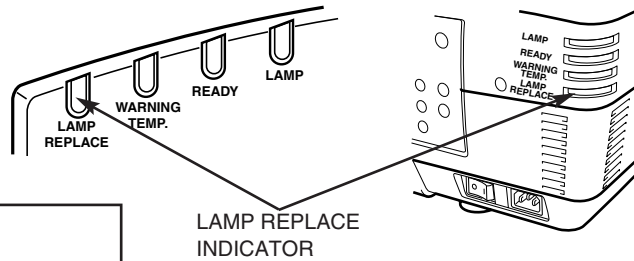
LAMP REPLACEMENT

When the life of the projection lamp of this projector draws to an end, the LAMP REPLACE indicator lights yellow. If this indicator lights yellow, replace the lamp with a new one promptly.

The time when the LAMP REPLACE indicator lights is depending on the lamp mode.

FRONT INDICATORS

REAR INDICATORS

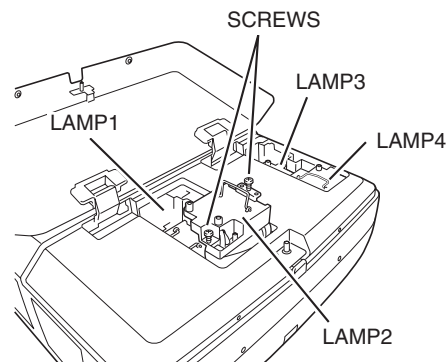
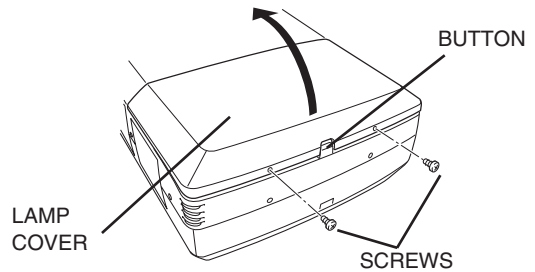


WARNING :

TURN OFF THE UV LAMP BEFORE OPENING THE LAMP COVER. USE UV RADIATION EYE AND SKIN PROTECTION DURING SERVICING.

Follow these steps to replace lamp assembly.

- 1 Check number of lamp to be replaced on Lamp Status Display.
- 2 Turn off a projector and disconnect AC Power Cord. Allow a projector to cool down for at least 45 minutes.
- 3 Remove two screws on Lamp Cover and press button to open Lamp Cover. (See right figure.)
- 4 Loosen two screws and pull out Lamp Assembly to be replaced by grasping handle.
- 5 Replace Lamp Assembly with a new one and tighten two screws. Make sure Lamp is set properly.
- 6 Replace Lamp Cover and tighten two screws.
- 7 Connect AC Power Cord to a projector and turn a projector on.
- 8 Reset Lamp Replacement Counter. (Refer to section "Lamp Replace Counter".)



NOTE : Do not reset LAMP REPLACEMENT COUNTER when lamp is not replaced.

Make sure which number of lamp needs to be replaced on Lamp Status Display. Figure shows case of replacing LAMP 2.

CAUTION : Do not operate a Projector while any of lamps removed. It may result in malfunctions, fire hazard, or other accidents.

CAUTION : High pressure lamp may explode if improperly handled.

Refer to lamp replacement instructions.

NOTES ON LAMP REPLACEMENT

To maintain quality of picture (better balance of color and brightness in entire screen), we recommend replacing all 4 lamps at a time.



CAUTION

For continued safety, replace with a lamp assembly of same type. Allow a projector to cool for at least 45 minutes before you open Lamp Cover. Inside of a projector can become very hot.



CAUTION

Do not drop a lamp assembly or touch a glass bulb! Glass can shatter and may cause injury.



**CAUTION
HIGH VOLTAGE
HOT**



LAMP REPLACE COUNTER

Be sure to reset Lamp Counter when Lamp Assembly is replaced. When Lamp Replace Counter is reset, LAMP REPLACE indicator stops lighting.

1 Turn projector on, press MENU button and ON-SCREEN MENU will appear. Press POINT LEFT/RIGHT button(s) to move a red frame pointer to SETTING Menu icon.

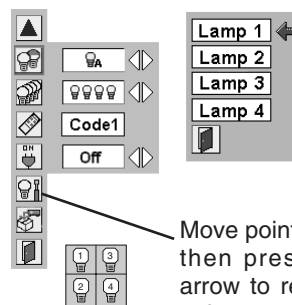
2 Press POINT DOWN button to move a red frame pointer to "Lamp counter reset" and then press SELECT button.

3 Move arrow to replaced lamp number (Lamp 1, Lamp 2, Lamp 3 or Lamp 4) and then press SELECT button. Message "Lamp replace counter Reset?" is displayed. Move pointer to [Yes] and then press SELECT button.

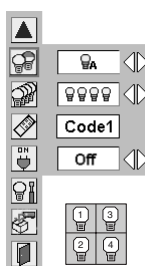
NOTE: Be sure to reset correct lamp number otherwise LAMP REPLACE indicator continues lighting.

4 Another confirmation dialog box appears and select [Yes] to reset Lamp Replace Counter.

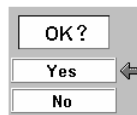
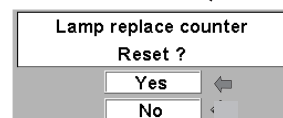
Do not reset Lamp Replace Counter except after Projection lamp is replaced.



Move pointer to Lamp counter reset and then press SELECT button. Move arrow to replaced lamp number (Lamp 1, Lamp 2, Lamp 3 or Lamp 4) and then press SELECT button.



Message "Lamp replace counter Reset?" is displayed. Move pointer to [Yes] and then press SELECT button.



Select [Yes] to activate it.

ORDER REPLACEMENT LAMP

Replacement Lamp can be ordered through your dealer. When ordering a Projection Lamp, give the following information to the dealer.

- **Model No. of your projector** : **LC-XT4U / LC-XT4E**
- **Replacement Lamp Type No.** : **POA-LMP100**

(Service Parts No. 610 327 4928)



LAMP HANDLING PRECAUTIONS

This projector uses a high-pressure lamp which must be handled carefully and properly. Improper handling may result in accidents, injury, or create a fire hazard.

- Lamp lifetime may differ from lamp to lamp and according to the environment of use. There is no guarantee of the same lifetime for each lamp. Some lamps may fail or terminate their lifetime in a shorter period of time than other similar lamps.
- If the projector indicates that the lamp should be replaced, i.e., if the LAMP REPLACE INDICATOR lights up, replace the lamp with a new one IMMEDIATELY after the projector has cooled down.
(Follow carefully the instructions in the LAMP REPLACEMENT section of owner's manual.) Continuous use of the lamp with the LAMP REPLACE INDICATOR lighted may increase the risk of lamp explosion.
- A Lamp may explode as a result of vibration, shock or degradation as a result of hours of use as its lifetime draws to an end. Risk of explosion may differ according to the environment or conditions in which the projector and lamp are being used.

IF A LAMP EXPLODES, THE FOLLOWING SAFETY PRECAUTIONS SHOULD BE TAKEN.

If a lamp explodes, disconnect the projector's AC plug from the AC outlet immediately. Contact an authorized service station for a checkup of the unit and replacement of the lamp. Additionally, check carefully to ensure that there are no broken shards or pieces of glass around the projector or coming out from the cooling air circulation holes. Any broken shards found should be cleaned up carefully. No one should check the inside of the projector except those who are authorized trained technicians and who are familiar with projector service. Inappropriate attempts to service the unit by anyone, especially those who are not appropriately trained to do so, may result in an accident or injury caused by pieces of broken glass.

● How to check Lamp Used Time

The LAMP REPLACE indicator will light yellow when the total lamp used time (corresponding value) reaches 2,500 hours - (*). This is to indicate that lamp replacement is required.

The total lamp used time is calculated by using the below expression;

$$\text{Total lamp used time} = T_{\text{eco}} + T_{\text{normal}} \times 1.25 - (*)$$

T_{eco} : used time in the Eco mode

T_{normal} : used time in the Normal and Auto mode

You can check the lamp replacement counter following to below procedure.

- 1 Press and hold **POWER ON-OFF** button on the side control of the projector or the remote control unit for more than 20 seconds.
- 2 The projector used time and lamp used time will be displayed on the screen briefly.

Projector used time

Counter	Projector used time			
Projector	150H			
Lamp	No.1	No.2	No.3	No.4
Normal	100H	100H	100H	100H
Eco	50H	50H	50H	50H
Corresponding Value	175H	175H	175H	175H

Total lamp used time
(Corresponding value)

(*) The specifications are subject to change without notice.

■ Maintenance and Cleaning

After long periods of use, dust and other particles will accumulate on the LCD panel, prism, mirror, polarized glass, lens, etc., causing the picture to darken or color to blur. If this occurs, clean the inside of optical unit. Remove dust and other particles using air spray. If dirt cannot be removed by air spray, disassemble and clean the optical unit.

● Cleaning with air spray

1. Remove the cabinet top following to "Mechanical Disassemblies".
2. Clean up the LCD panel and polarized glass by using the air spray from the cabinet top opening.

Caution:

Use a commercial (inert gas) air spray designed for cleaning camera and computer equipment. Use a resin-based nozzle only. Be very careful not to damage optical parts with the nozzle tip. Never use any kind of cleanser on the unit. Also, never use abrasive materials on the unit as this may cause irreparable damage.

● Disassembly Cleaning

Disassembly cleaning method should only be performed when the unit is considerable dirty and cannot be sufficiently cleaned by air spraying alone.

Be sure to readjust the optical system after performing disassembly cleaning.

1. Remove the cabinet top and main units following to "Mechanical Disassemblies".
2. Remove the optical base top following to "Optical Unit Disassemblies". If the LCD panel needs cleaning, remove the LCD panel unit following to "LCD panel/Prism ass'y replacement".
3. Clean the optical parts with a soft cloth. Clean extremely dirty areas using a cloth moistened with alcohol.

Caution:

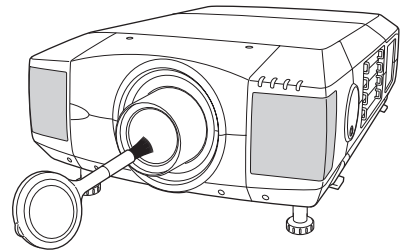
The surface of the optical components consists of multiple dielectric layers with varying degrees of refraction. Never use organic solvents (thinner, etc.) or any kind of cleanser on these components.

Since the LCD panel is equipped with an electronic circuit, never use any liquids (water, etc.) to clean the unit. Use of liquid may cause the unit to malfunction.

Cleaning the Projection Lens

Unplug the AC power cord before cleaning.

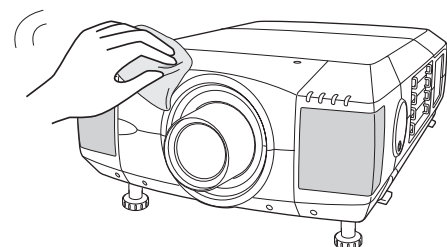
Gently wipe the projection lens with a cleaning cloth that contains a small amount of non-abrasive camera lens cleaner, or use a lens cleaning paper or a commercially available air blower to clean the lens. Avoid using an excessive amount of cleaner. Abrasive cleaners, solvents, or other harsh chemicals might scratch the surface of the lens.



Cleaning the Projector Cabinet

Unplug the AC power cord before cleaning.

Gently wipe the projector body with a dry soft cloth. When the cabinet is heavily soiled, apply a small amount of mild detergent and finish with a dry soft cloth. Avoid using an excessive amount of cleaner. Abrasive cleaners, solvents, or other harsh chemicals might scratch the surface of the cabinet.

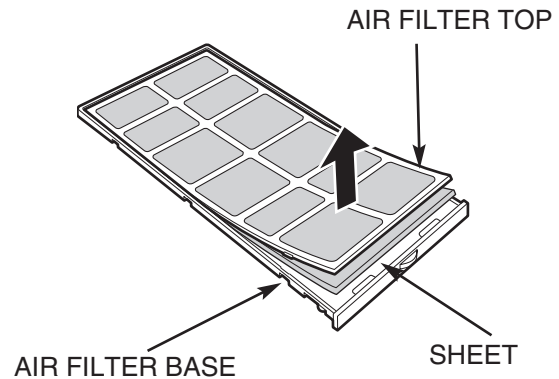
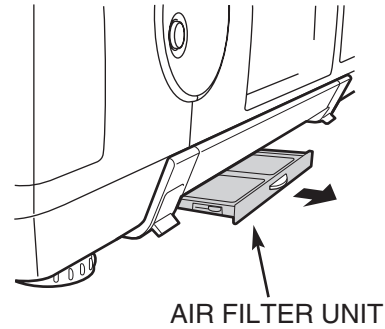


AIR FILTER CARE AND CLEANING

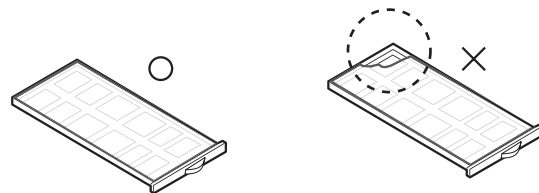
Air Filter prevents dust from accumulating on surface of Projection Lens and Projection Mirror. Should Air Filter become clogged with dust particles, it will reduce Cooling Fans' effectiveness and may result in internal heat build up and adversely affect life of a projector.

Clean Air Filter following steps below:

- 1** Turn power off, and disconnect AC power cord from AC outlet.
- 2** Pull out air filter unit from the projector.
- 3** Pulling up center frame of air filter top, separate air filter top and sheet from air filter base.
- 4** Clean each parts with brush, vacuum cleaner or wash out dust and particles.
Be sure to dry them out.
- 5** Assemble sheet, air filter top and air filter base, and replace air filter unit to a projector.



Caution; Assembles sheet and filter base



CAUTION



- Do not operate a projector with air filter removed. Or dust may accumulate on LCD panel and Mirror degrading picture quality.
- Do not put small parts into air Intake Vents. Or It may result in malfunction of a projector.
- The filter be careful and handle. The effect of the filter runs out in case of a leak and it being broken off.



■ Mechanical Disassemblies

Disassemble should be made following procedures in numerical order.
Following steps show the basic procedures, therefore unnecessary step may be ignored.

Caution:

The parts and screws should be placed exactly the same position as the original, otherwise it may cause loss of performance and product safety.

The wiring method of the leads and ferrite cores should be returned exactly the same state as the original, otherwise it may cause loss of performance and product safety.

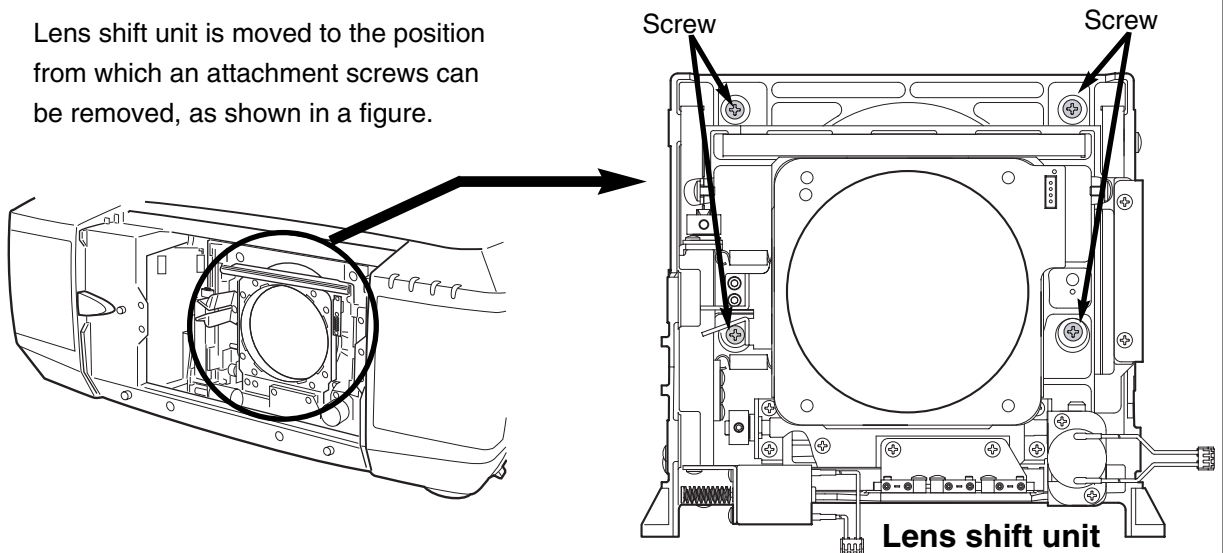
Screws Expression (Type Diameter x Length) mm	
T type	M Type
Tapping screw	Machine screw
	

Before Disassemblies :

Turn off a projector and disconnect the AC power cord.

When remove the lens shift unit, shift to the position from which the attachment screws of a lens shift unit and an optical base unit can be removed.

Lens shift unit is moved to the position from which an attachment screws can be removed, as shown in a figure.



1-1

Cabinet front top unit and Cabinet front bottom unit removal.

Note : Be careful not to damage Hook. The cabinet front top unit is being fixed with cabinet front bottom by hook.

1. Remove 2 screws-A.

Push part(a) and pull the Cabinet front top unit upward.

2. Remove 4 screws-B and remove the Cabinet front bottom unit.

(See Fig.1-1)

Refer to Lens replacement and installation manual.

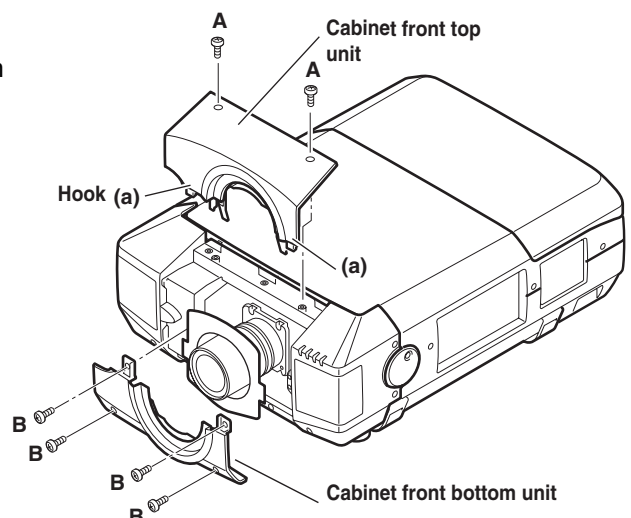


Fig.1-1

1-2 Cabinet front unit removal.

1. Remove 11 screws and remove the Cabinet front unit.
(See Fig.1-2)

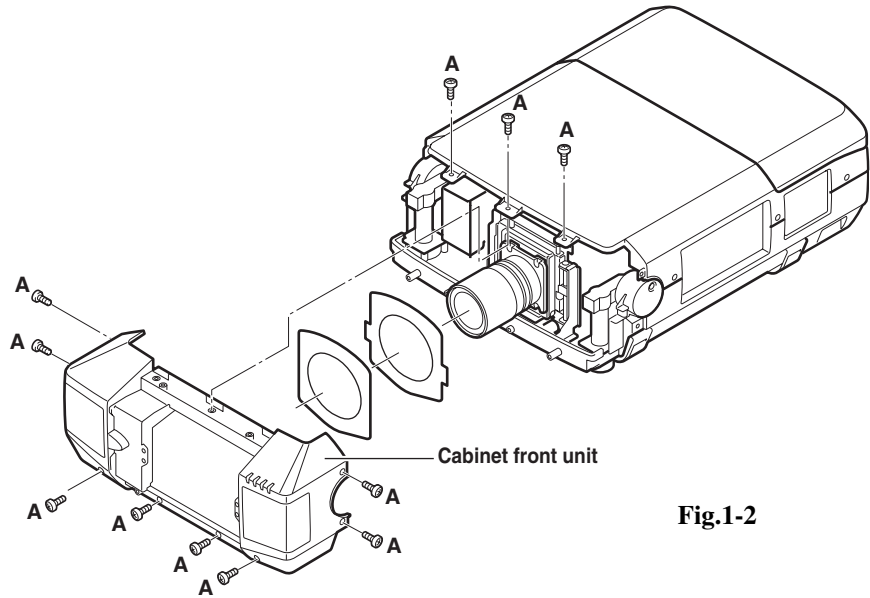


Fig.1-2

1-3 Cabinet front top unit disassemblies.

1. Remove 4 screws and remove the Mounting cover lens-A.
2. Remove 2 Spring coils and remove Cover lens-A.
(See Fig.1-3)

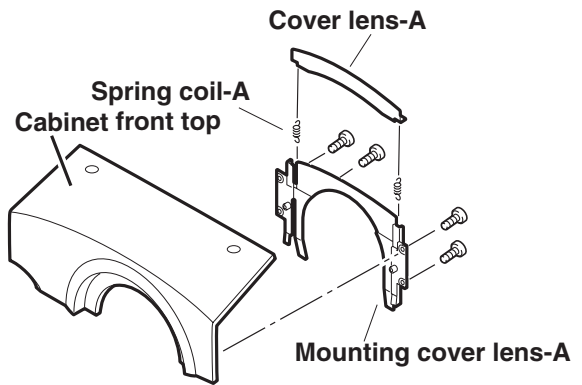


Fig.1-3

1-4 Cabinet front bottom unit disassemblies.

1. Remove 4 screws and remove the Mounting cover lens-B.
2. Remove 2 Spring coils and remove Cover lens-A.
(See Fig.1-4)

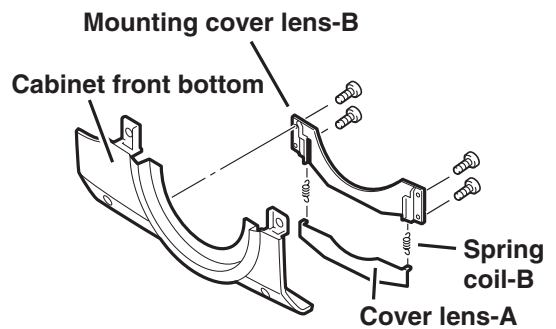


Fig.1-4

1-5 Speaker boxes and Front LED Board removal.

1. Remove 4 screws-A and remove the Speaker box-A.
2. Remove 4 screws-B and remove the Speaker box-B.
3. Remove 2 screws-C and remove the Front LED Board.

(See Fig.1-5)

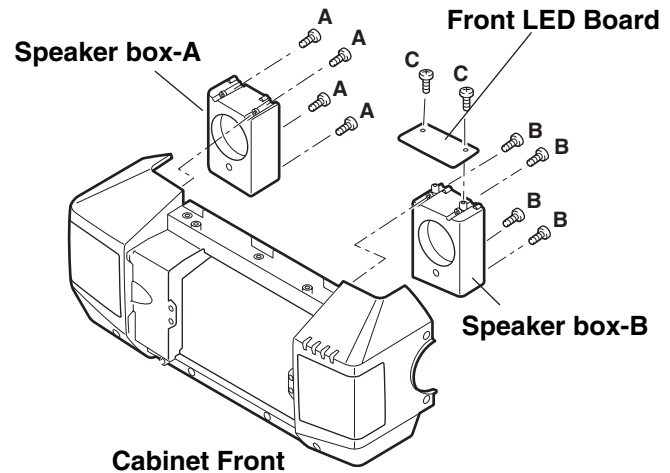


Fig.1-5

1-6 Speaker units disassemblies.

1. Remove 4 screws-A and remove the Mounting SP-D.
2. Remove 4 screws-B and remove the Mounting SP-C.

(See Fig.1-6)

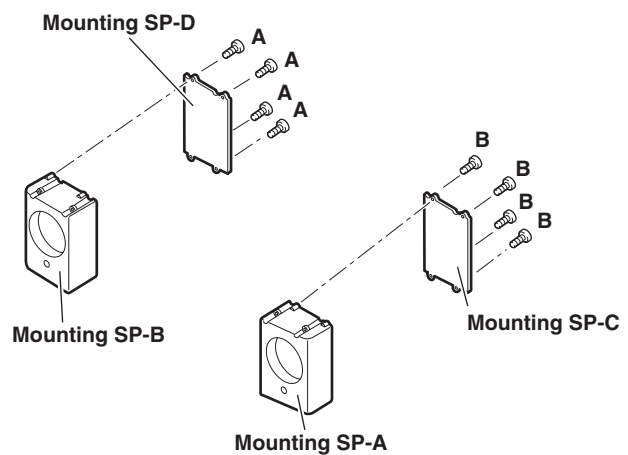


Fig.1-6

1-7 Decoration Inlays and R/C-1 Board removal.

1. Remove screw-A and remove the R/C-1 Board.
 2. Remove 2 screws-B and remove the DEC Inlay R/C-F.
 3. Remove 2 screws-C and remove the DEC Inlay-A.
- (See Fig.1-7)

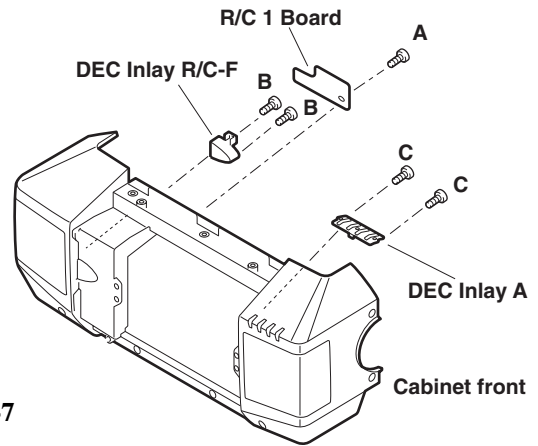


Fig.1-7

1-8 Speaker Grills and Nets removal.

1. The bent portion is stretched and remove the Grille SP-L, remove the Grille SP-R from cabinet front.
 2. Remove the Nets.
- (See Fig.1-8)

Mark the Grills as they are removed from the Cabinet front so that they may be reassembled in the same location from which they were removed. Be careful of the attached direction of Grills.

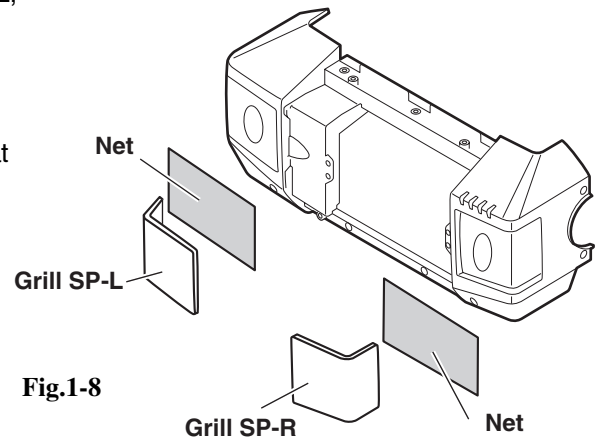


Fig.1-8

2-1 Cabinet-top unit removal.

1. Remove 8 screws and remove the Cabinet top unit.
- (See Fig.2-1)

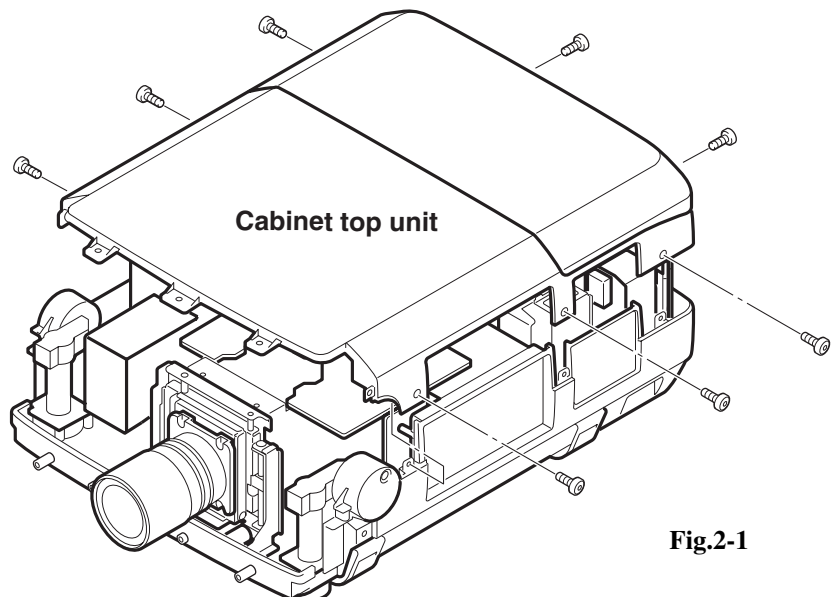
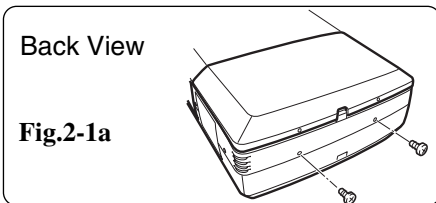
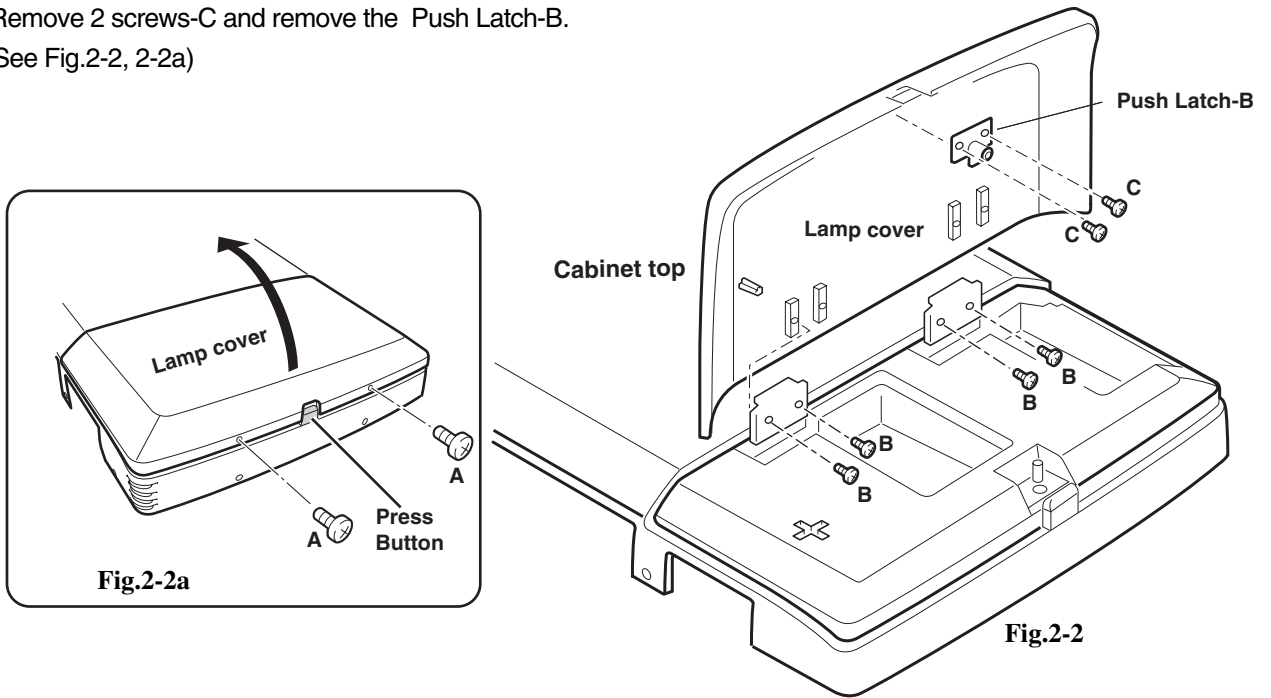


Fig.2-1

2-2 Lamp cover and Push Latch-B removal.

1. Remove 2 screws-A and press button to open the Lamp cover.
2. Remove 4 screws-B and remove the Lamp cover.
3. Remove 2 screws-C and remove the Push Latch-B.

(See Fig.2-2, 2-2a)

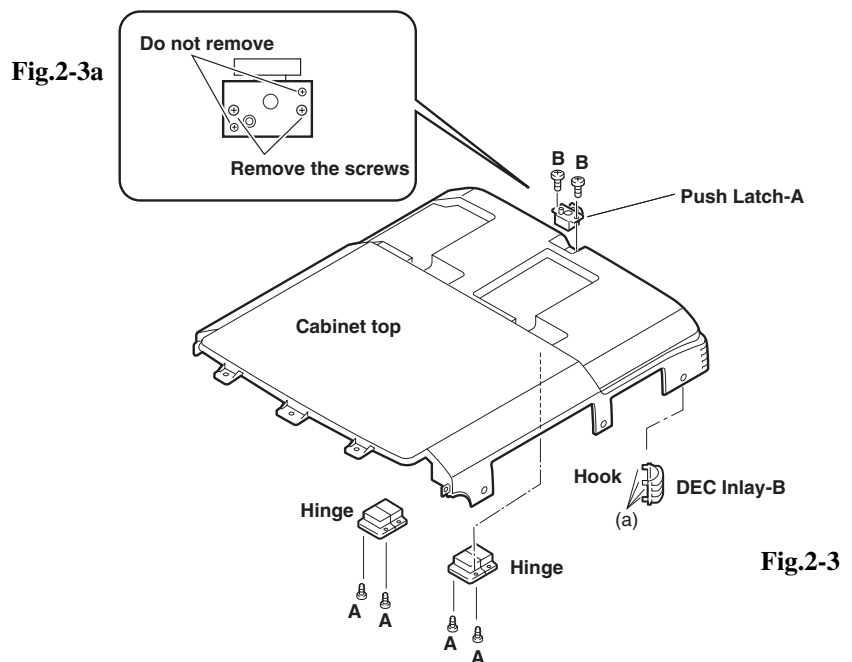


2-3 Decoration Inlay-B, Push Latch-A, and Hinges removal.

1. Remove 4 screws-A and remove the 2 Hinges.
2. Remove 2 screws-B and remove the push Latch-A.
3. Remove DEC Inlay-B. (Unhook the Cabinet top and take the DEC Inlay off inside.)

Push part(a) and pull the DEC Inlay inside.

(See Fig.2-3, 2-3a)



3 Main Board removal.

1. Remove 6 screws-A and remove the Main Board.
(See Fig.3)

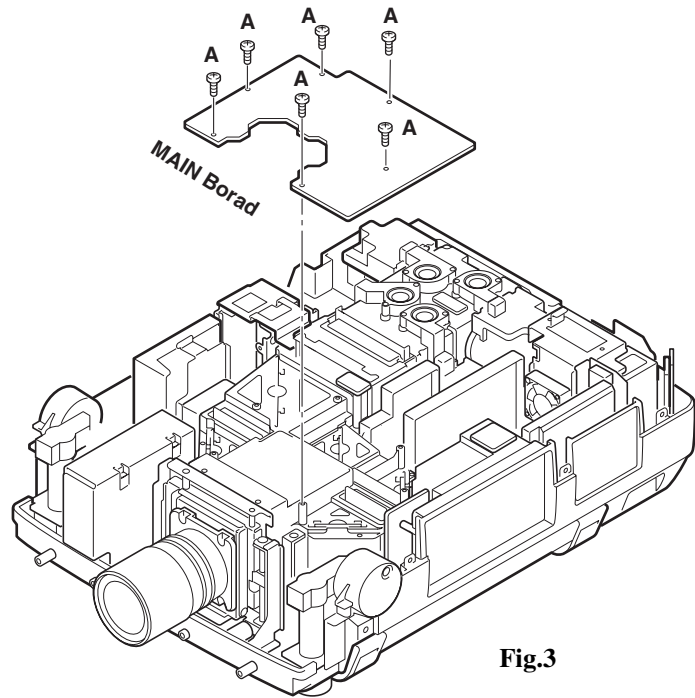


Fig.3

4-1 Control switch unit and Terminal slots unit removal.

1. Remove the Control switch unit upward.
 2. Remove the Terminal slots unit upward.
- (See Fig.4-1)

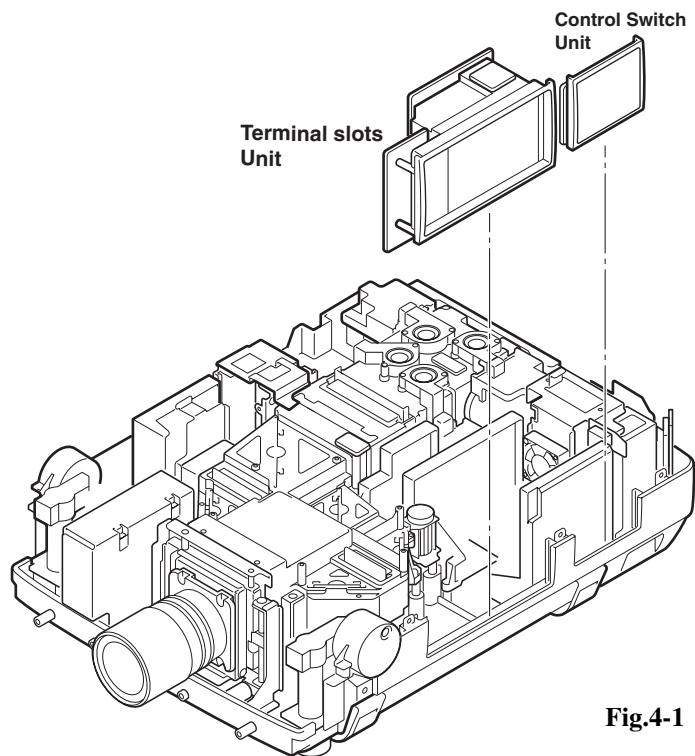


Fig.4-1

4-2 Terminal Board units and RS232C Board removal.

1. Remove 8 screws-A and remove the Terminal Board units 1-4.
2. Remove screw-B.
3. Remove 4 screws-C and remove the RS232C Board.
4. Remove screw-D, remove washer and remove Grounding Lead from the RS232C Board.

(See Fig.4-2)

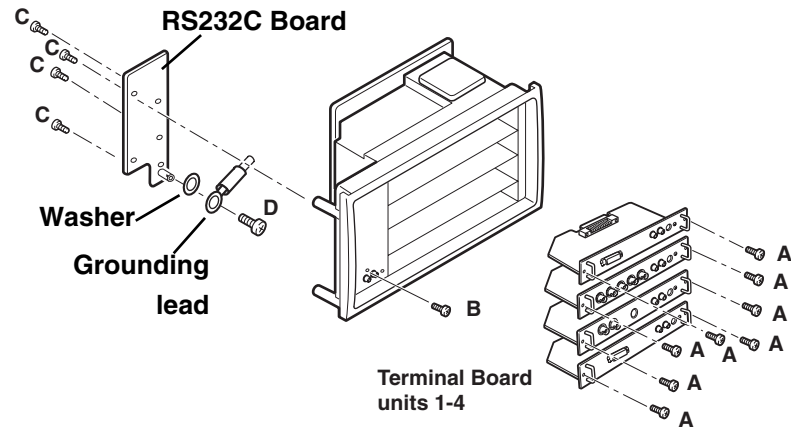


Fig.4-2

4-3 Terminal Slot units disassemblies.

1. Remove 2 screws-A and remove the Lamp net Board.
2. Remove 2 screws-B and remove the Holder-B.
3. Remove 3 screws-C, remove the Holder-A and remove the CG Mother Board.
4. Remove 2 screws-D, remove 2 washers and remove Grounding Lead from the CG Mother Board.

(See Fig.4-3)

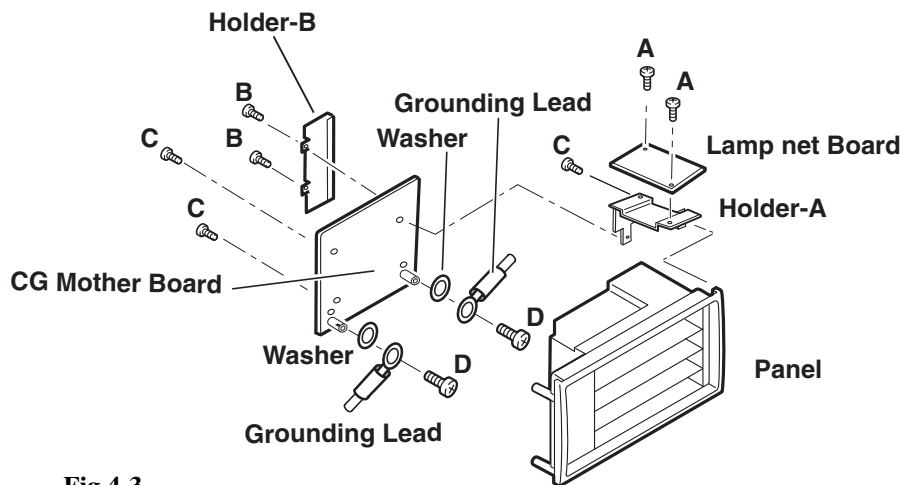


Fig.4-3

4-4 Control Switch unit disassemblies.

1. Remove 4 screws, remove the Control Button and remove the Control Board.
(See Fig.4-4)

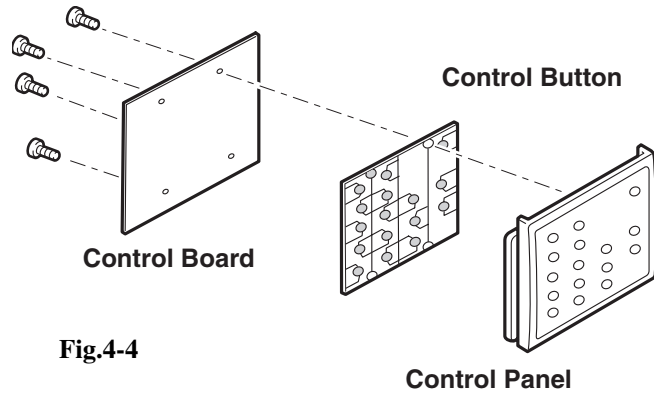


Fig.4-4

4-5 Terminal Board DVI disassemblies.

1. Remove 2 screws-A, remove screw-B, remove screw-C, and remove the Terminal Board DVI.
2. Remove 2 screws-D, remove the Holders and remove the Earth BRKT Slot.
3. Remove 4 screws-F and remove the Handles.
(See Fig.4-5)

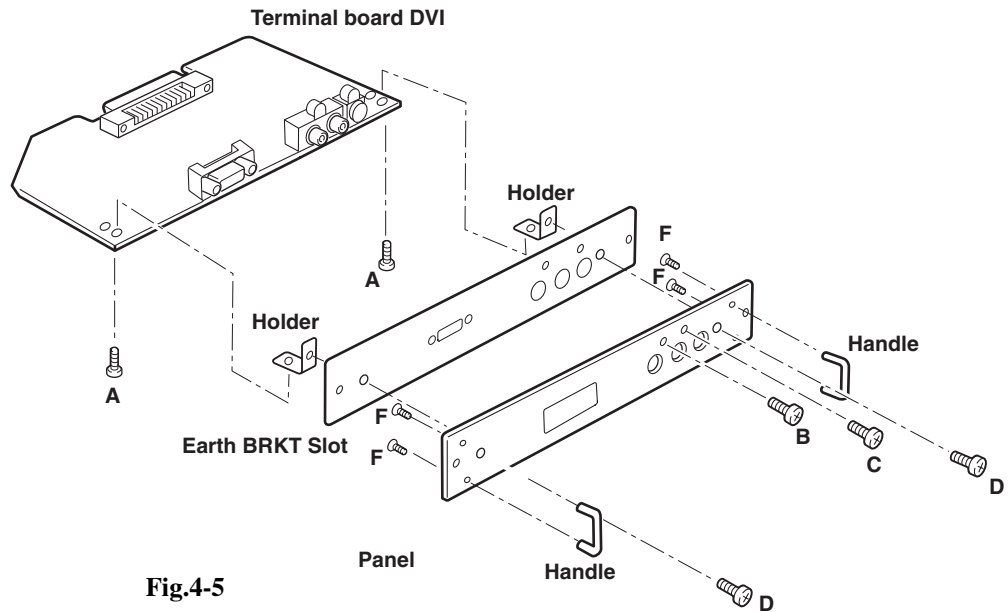


Fig.4-5

4-6 Terminal Board Component disassemblies.

1. Remove 2 screws-A ,remove 2 screws-B, remove screw-C,remove screw-D and remove the Terminal Board Component.
 2. Remove 2 screws-E, remove the Holders and remove the Earth BRKT Slot.
 3. Remove 4 screws-G and remove the Handles.
- (See Fig.4-6)

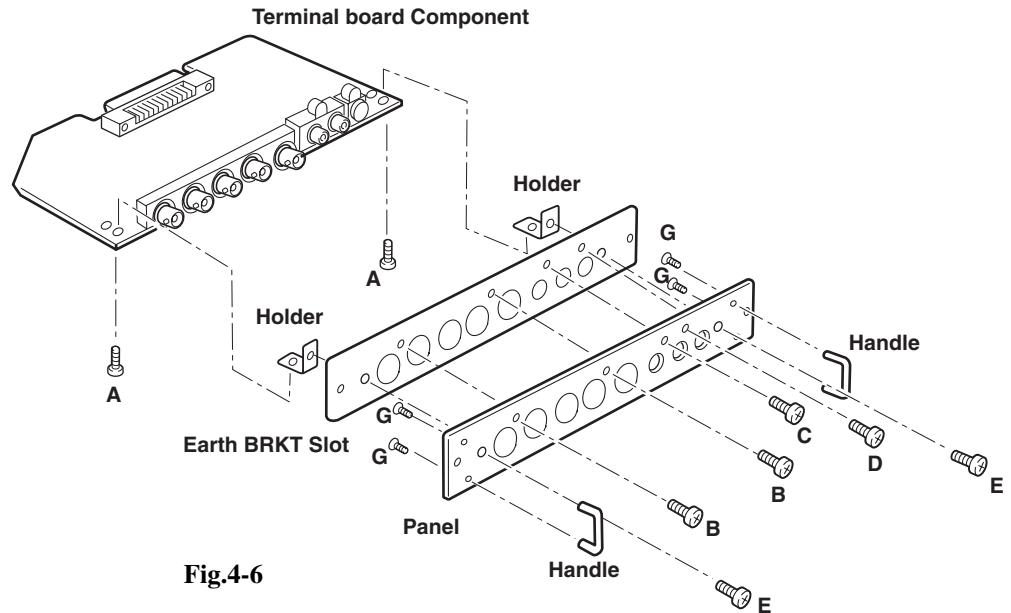


Fig.4-6

4-7 Terminal Board D-SUB15 disassemblies.

1. Remove 2 screws-A ,remove screw-B, remove screw-C and remove the Terminal Board D-SUB15.
 2. Remove 2 screws-D, remove the Holders and remove the Earth BRKT Slot.
 3. Remove 4 screws-F and remove the Handles.
- (See Fig.4-7)

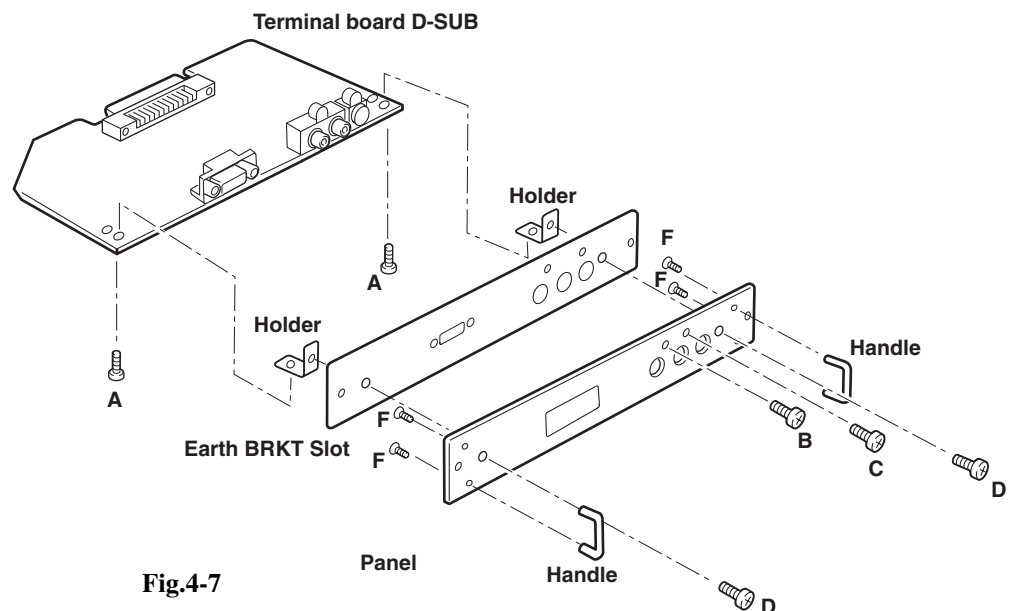


Fig.4-7

4-8 Terminal Board AV disassemblies.

1. Remove 2 screws-A, remove screw-B, remove screw-C, remove screw-D, remove the Heat sink and remove the Terminal Board AV.
 2. Remove 2 screws-E, remove the Holders and remove the Earth BRKT Slot.
 3. Remove 4 screws-G and remove the Handles.
- (See Fig.4-8)

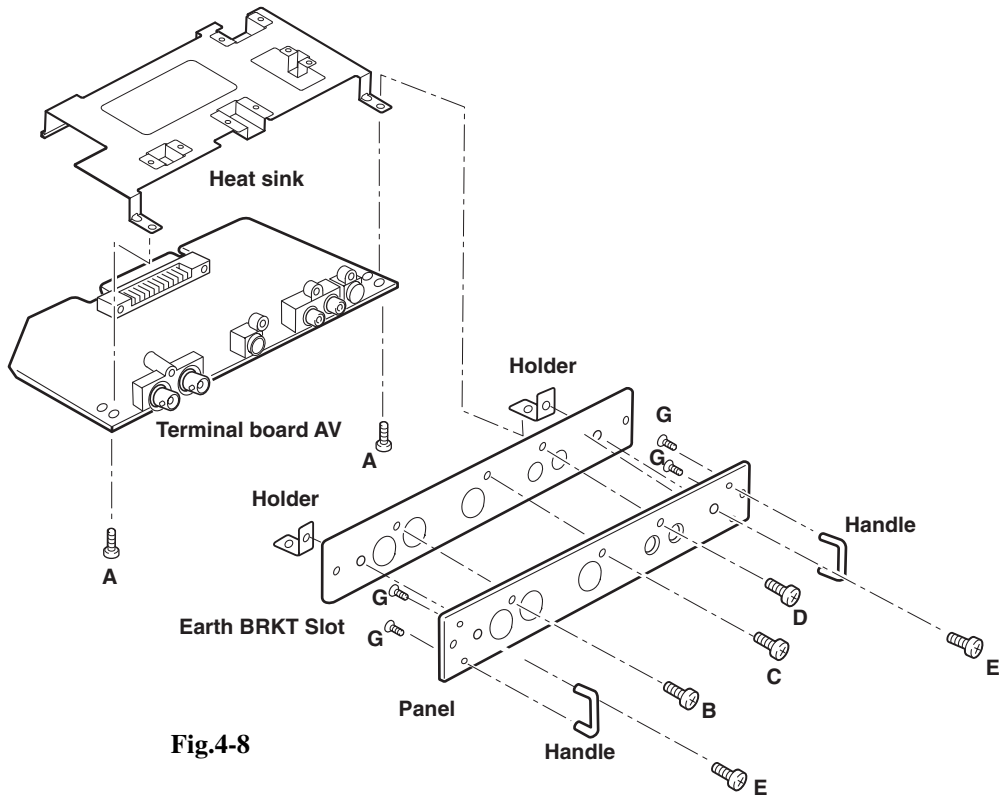


Fig.4-8

5-1 Fan(FN901) removal.

1. Remove 3 screws-A and remove the Fan(FN901).
- (See Fig.5-1)

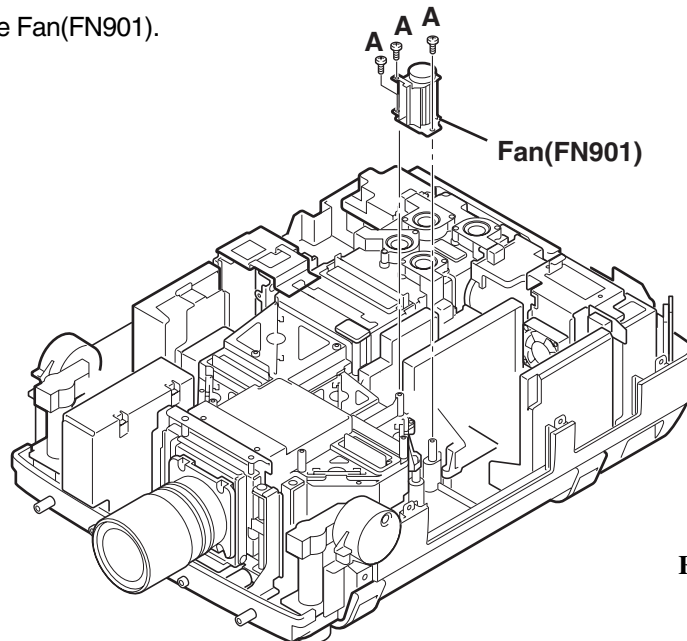


Fig.5-1

5-2 Switch Power Supply(25V) unit removal.

1. Remove 4 screws-A, remove screw-B and remove the Switch power supply(25V) unit.
(See Fig.5-2)

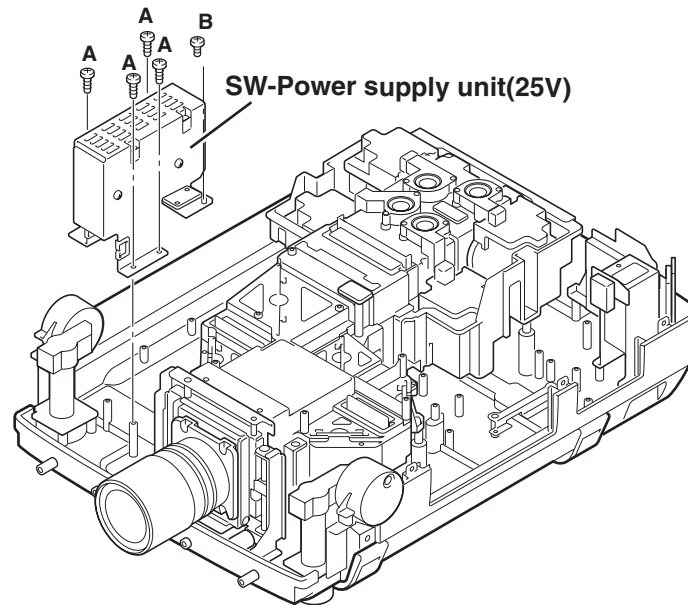


Fig.5-2

5-3 Switch Power Supply(25V) unit disassemblies.

1. Remove 2 screws-A and remove the Switch power supply(25V)Board.
2. Unhook the 4 Fixer Clamps and remove the Motor &Audio Board.
3. Remove 2 screws-B and remove the F-G net Board.
4. Remove 3 screws-C, remove 3 washers and remove the grounding lead.
(See Fig.5-3)

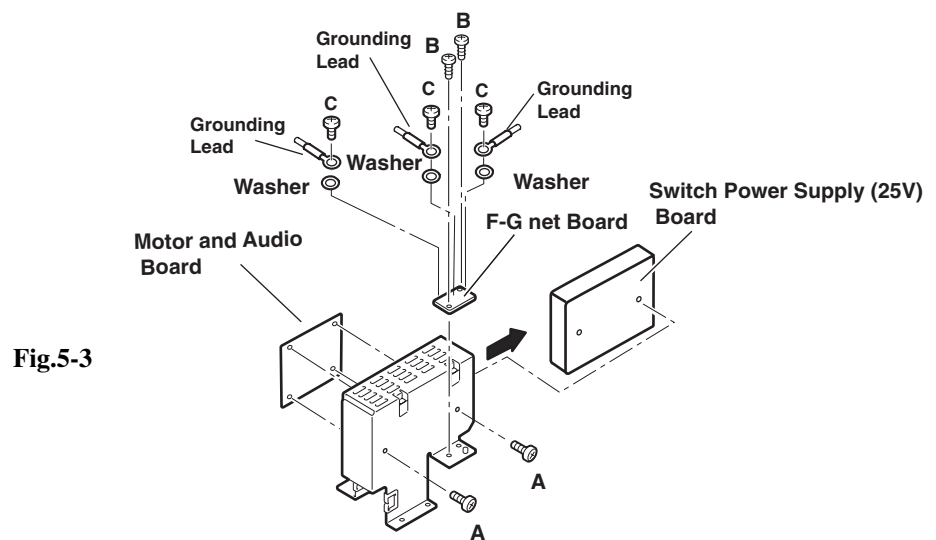


Fig.5-3

The Motor and Audio Board is fixed with holder by hook.

5-4 Lamp Ballast Units removal.

1. Remove screws-C, remove washer and remove the grounding lead. (Lamp ballast 3-4 units. See Fig.5-4)

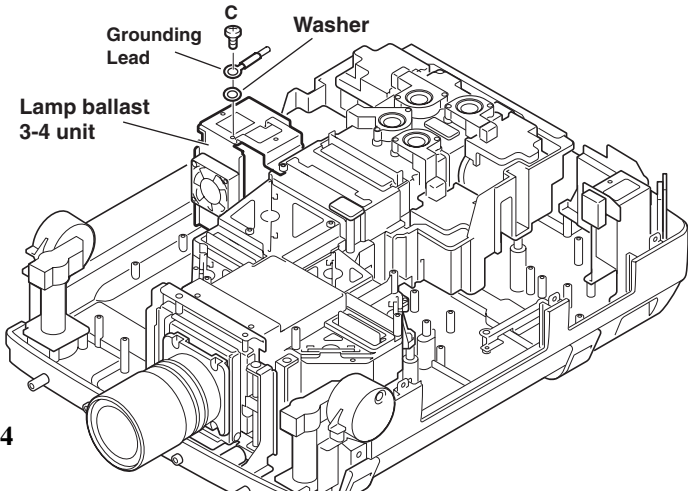


Fig.5-4

2. Remove screw-A, remove washer and remove the grounding lead from the Holder. (Lamp ballast 1-2 units. See Fig.5-4a)
 3. Remove 2 screws-B and remove the Holder-D.
 4. Remove the Lamp Ballast Unit1 and Lamp Ballast Unit2.
 5. Remove 3 screws-F and remove the Holder-F.
 6. Remove 2 screws-D, remove screw-E and remove the Holder-E.
 7. Remove the Lamp Ballast Unit3 and Lamp Ballast Unit4.
- (See Fig.5-4, 5-4a, 5-4b,)

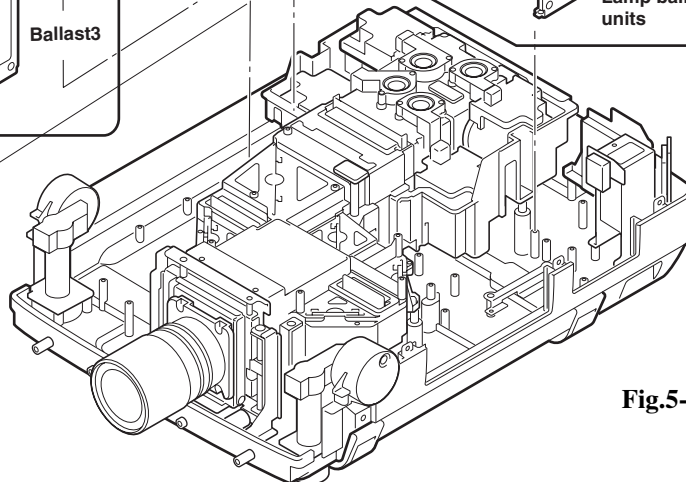
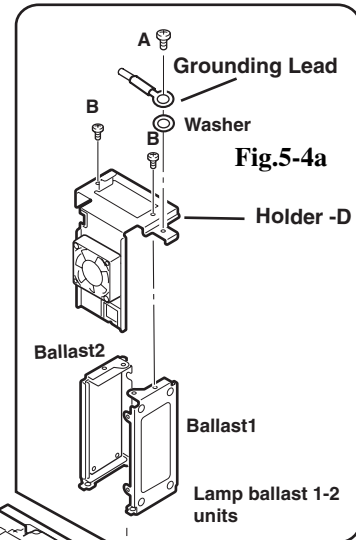
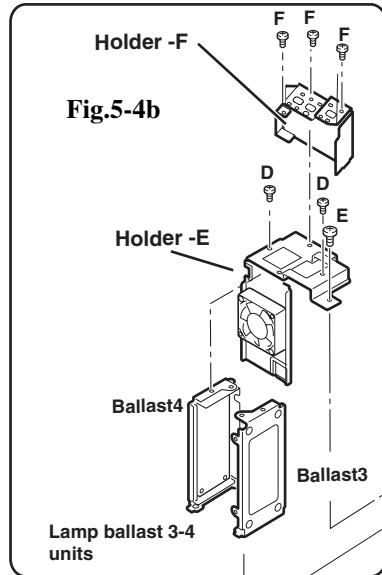


Fig.5-4

5-5 Lamp Ballast Units disassemblies.

Lamp Ballast Units 1-2

1. Remove 2 screws-A, remove the Fan(FN908) and FAN Guard.
2. Remove Lamp Ballast unit 1 and remove the Spacer.
(Unhook the Fixer Clamp and remove the Lamp Ballast unit .)
3. Remove Lamp Ballast unit 2 and Spacer.
(Unhook the Fixer Clamp and remove the Lamp Ballast unit .)
(See Fig.5-5a)

Lamp Ballast Units 3-4

4. Remove 2 screws-B, remove the Fan(FN907) and FAN Guard.
5. Remove Lamp Ballast unit 3 and Spacer.
(Unhook the Fixer Clamp and remove the Lamp Ballast unit .)
6. Remove Lamp Ballast unit 4 and remove the Spacer.
(Unhook the Fixer Clamp and remove the Lamp Ballast unit .)
(See Fig.5-5b)

Note;

Mark the Fans as they are removed from the holder so that they may be reassembled in the same location from which they were removed. Be careful of the attachment direction of Fans.

See arrow mark in a figure.

Ballast units may be reassembled in the same location and direction from which they were removed.

Be careful of the attached direction of Ballast units.

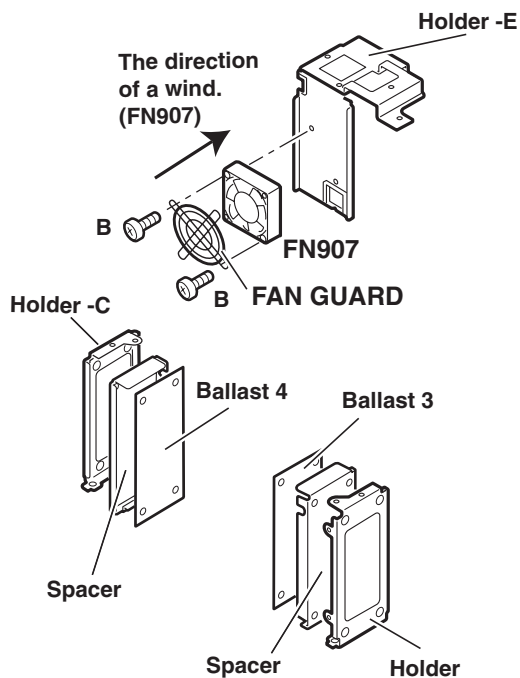


Fig.5-5b

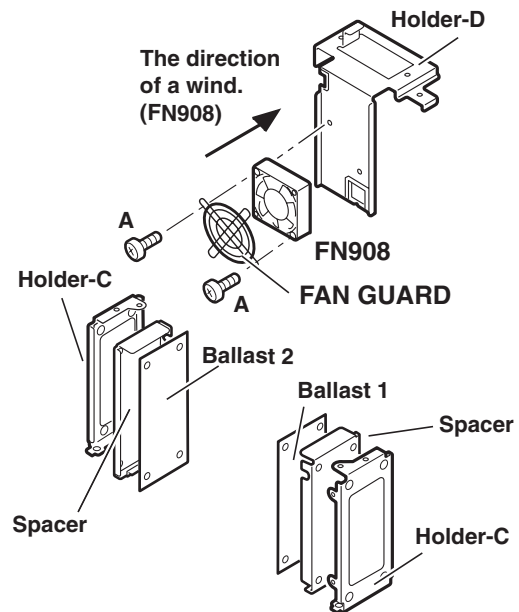


Fig.5-5a

The Ballast Board is being fixed with Holder by hook. (4places)

5-6 PFC Unit 3-4 and Power Unit removal.

PFC Unit 3-4 removal.

1. Remove 4 screws-A and remove the PFC 3-4 Unit.
2. Remove 4 screws-B and remove the Fan (FN914).
3. Remove 3 screws-C and remove the Holder FN.
4. Remove 4 screws-D and remove the PFC 3-4 Board.
5. Remove 2 screws-E and remove the AC net Board.

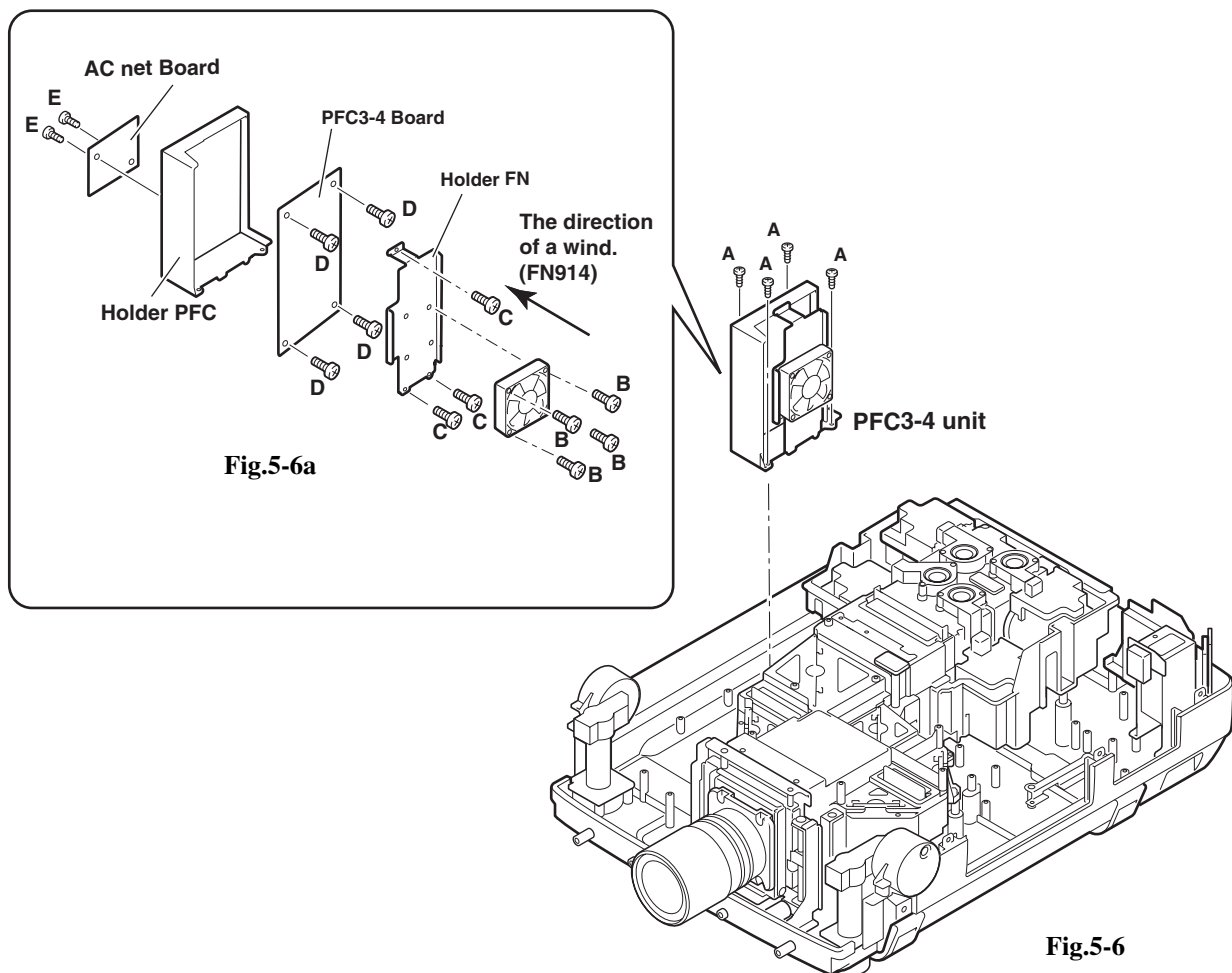
(See Fig.5-6, 5-6a)

Note;

Mark the Fans as they are removed from the holder so that they may be reassembled in the same location from which they were removed. Be careful of the attached direction of Fan.

See arrow mark in a figure.

PWB board may be reassembled in the same location and direction from which they were removed. Be careful of the attached direction of PWB board.



5-7 Power Unit removal.**Power Unit removal.**

1. Remove 2 screws-A, remove 2 screws-B and remove the Power Unit.
2. Remove 4 screws-C and remove the Power Board.

(See Fig.5-7, 5-7a)

Current sensor removal and replacement.

(Current sensor is used only for PLV-HD2000E.)

1. Unhook the part(a) and remove the current sensor.

Note: The way of installing a current sensor is very important on the performance and the safety. Install in the condition which is the same as the time of disassemble.

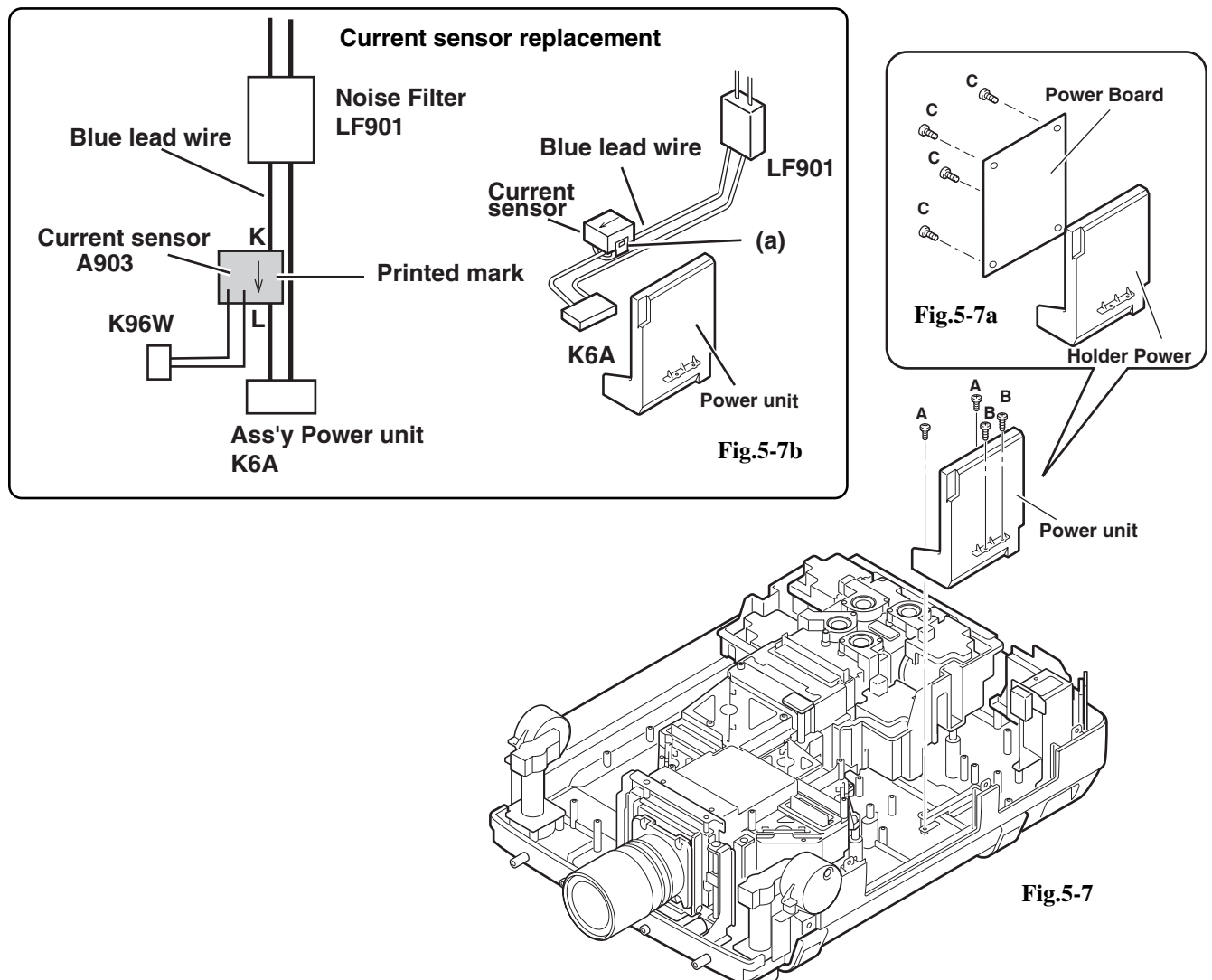
Replacement

1. The Current sensor is attached in the blue lead wire between a noise filter (LF901) and power unit (K6A).
2. The Current sensor (L) side is attached in the K6A side.

Refer to schematic diagrams.

PWB board may be reassembled in the same location and direction from which they were removed. Be careful of the attached direction of PWB board.

(See Fig.5-7b)



5-8 PFC 1-2 Unit and Sub Power Unit removal.

PFC 1-2 Unit removal.

1. Remove 4 screws-A and remove the PFC 1-2 Unit.
2. Remove 2 screws-B and remove the Holder FAN.
3. Remove the Fan (FN913).
4. Remove 4 screws-C and remove the PFC 1-2 Board.

(See Fig.5-8, 5-8a)

Sub Power Unit removal.

5. Remove 4 screws-D and remove the Sub Power Unit.
6. Remove 6 screws-E and remove the Sub Power Board.

(See Fig.5-8, 5-8b)

Note;

Mark the Fans as they are removed from the holder so that they may be reassembled in the same location from which they were removed. Be careful of the attachment direction of Fan.

See arrow mark in a figure.

PWB boards may be reassembled in the same location and direction from which they were removed. Be careful of the attached direction of PWB boards.

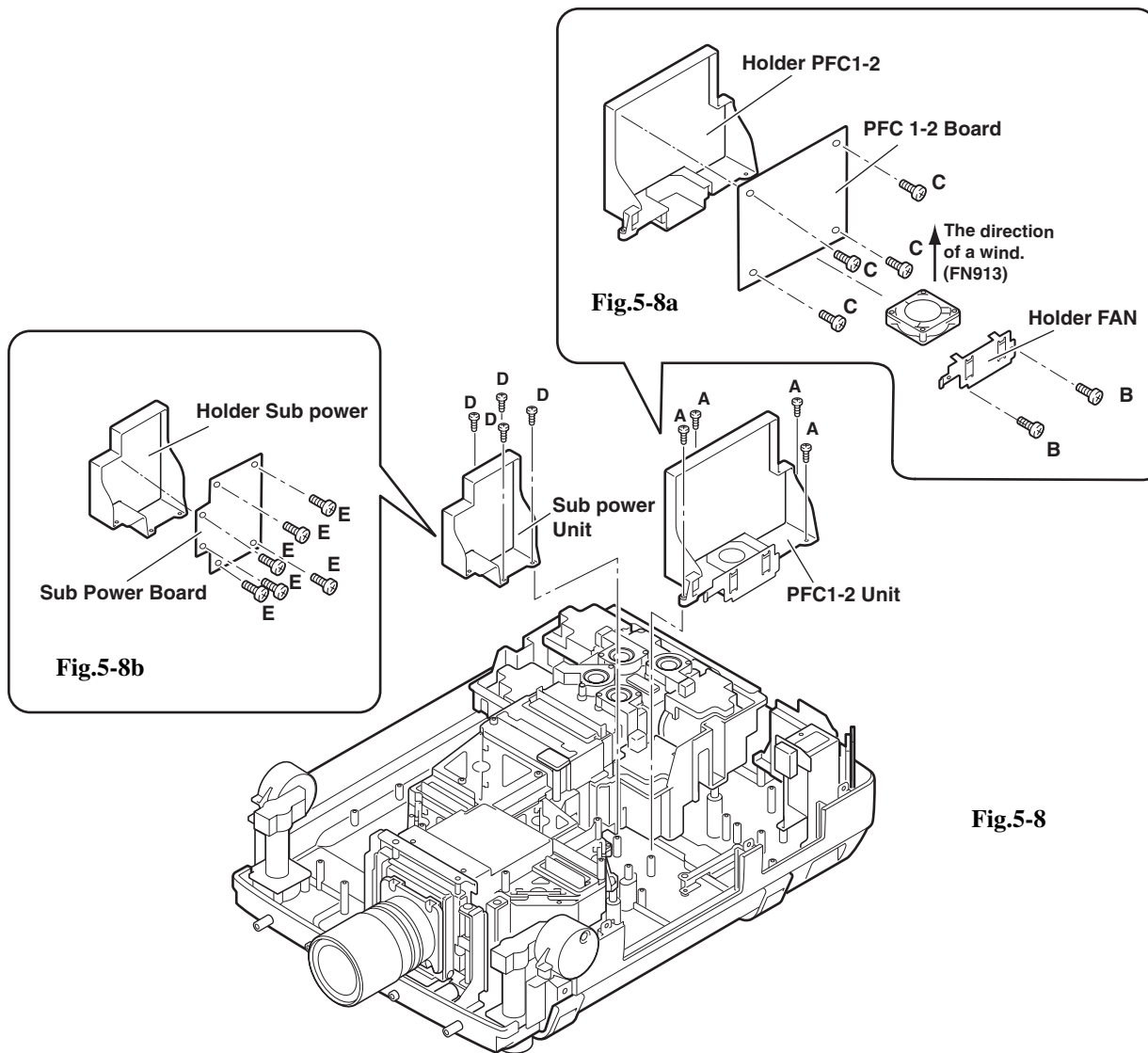


Fig.5-8

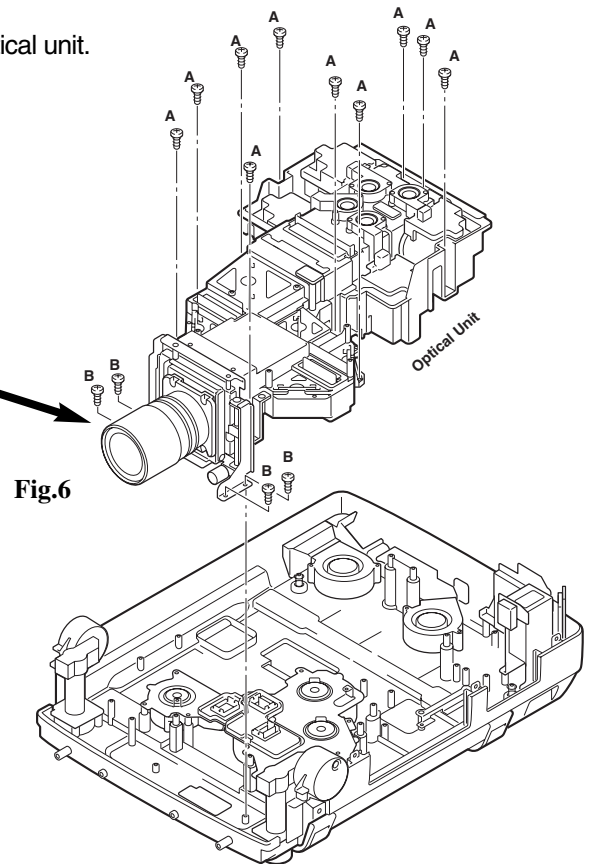
6 Optical Unit removal.

1. Remove 10 screws-A, remove 4 screws-B and remove the Optical unit.
(See Fig.6)

Warning;

Do not hold the projection lens.
It may damage projection lens.

Warning!
Do not hold the Projection lens



7-1 Fan(FN906) Unit and Adjustable-feet removal.

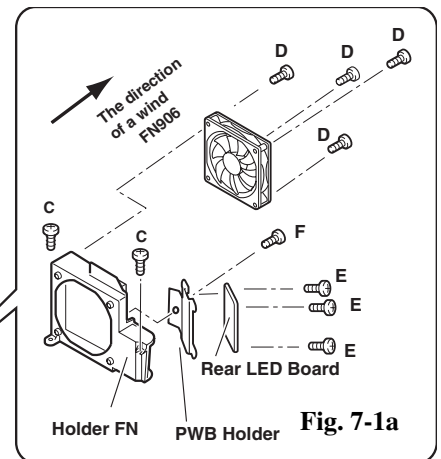
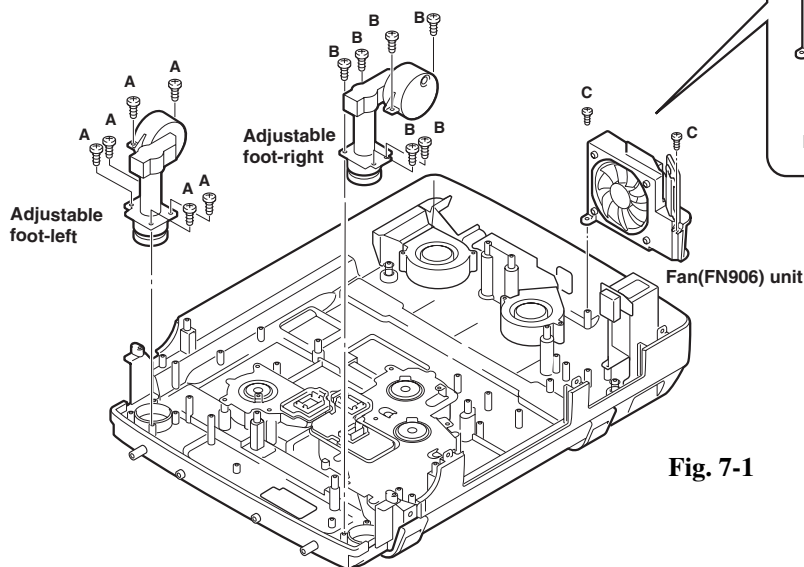
1. Remove 6 screws-A and remove the Adjustable-foot-left.
2. Remove 6 screws-B and remove the Adjustable-foot-right.
3. Remove 2 screws-C and remove the Fan(FN906) Unit.
4. Remove 4 screws-D and remove the Fan(FN906).
5. Remove 3 screws-E and remove the Rear LED Board.
6. Remove screw-F and remove the PWB Holder.

(See Fig.7-1, 7-1a)

Note;

Mark the Fans as they are removed from the holder so that they may be reassembled in the same location from which they were removed. Be careful of the attached direction of Fans.

See arrow mark in a figure.



7-2 Fan Units removal and disassemblies.

Fan(R) Unit removal and Disassemblies.

1. Remove 3 screws-A and remove the Fan(R) Unit.
 2. Remove 2 screws-B and remove the Duct-A.
 3. Remove 2 screws-C and remove the Fan(FN903).
- (See Fig. 7-2, 7-2a)

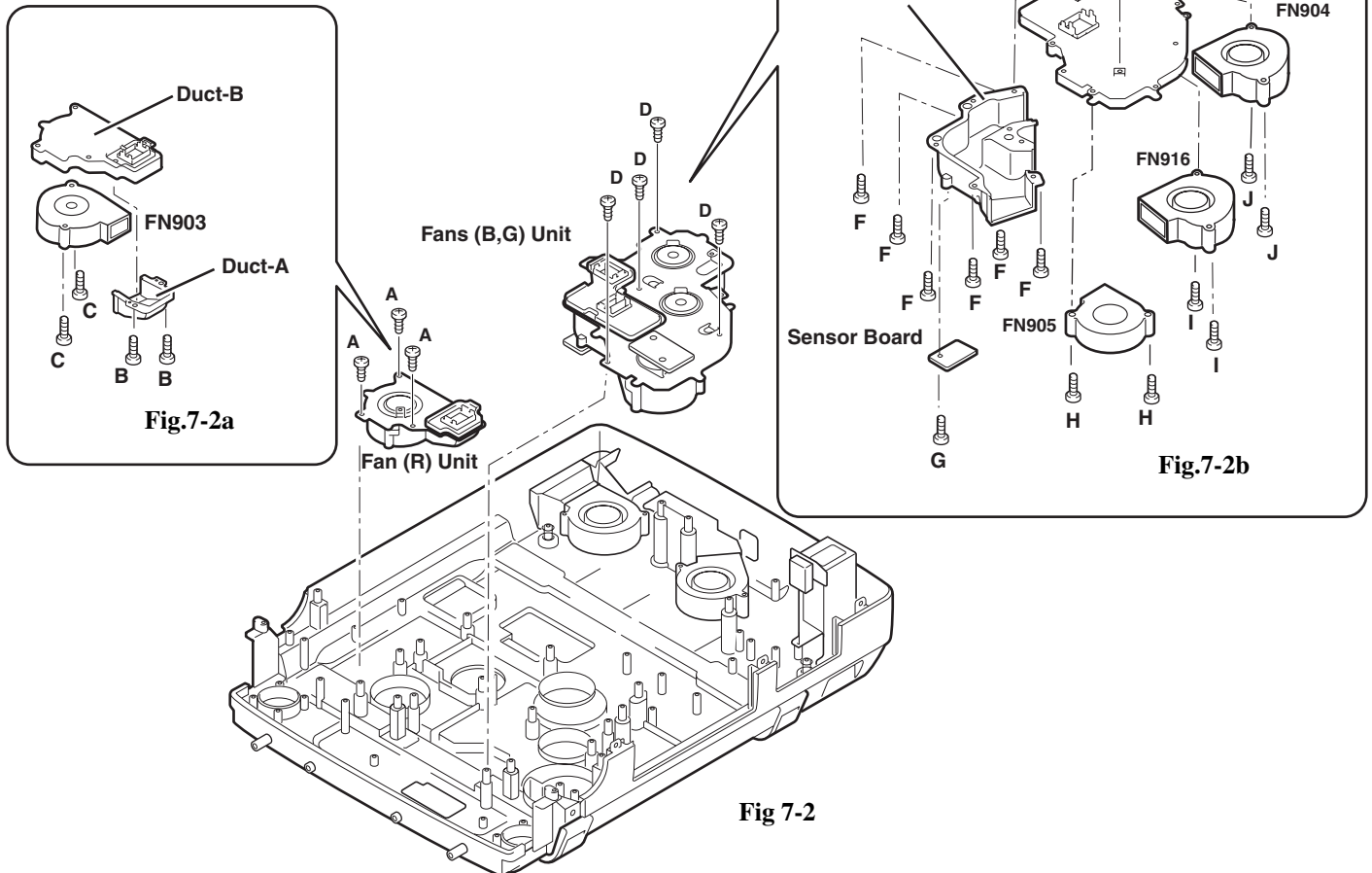
Fans(G,B) UNIT removal and Disassemblies.

4. Remove 4 screws-D and remove the Fan (G,B) Unit.
 5. Remove 6 screws-F and remove the Duct-C.
 6. Remove screw-G and remove the Sensor Board.
 7. Remove 2 screws-H and remove the Fan (FN905).
 8. Remove 2 screws-I and remove the Fan (FN916).
 9. Remove 2 screws-J and remove the Fan (FN904).
 10. Remove 2 screws-L and remove the RGB IN Fan net Board.
- Board.

(See Fig. 7-2, 7-2b)

Note :

Mark the Fans as they are removed from the duct so that they may be reassembled in the same location from which they were removed.



8-1 Fans(FN909, FN910) and Holders removal.

1. Remove 2 screws-A and remove the Cover -E.
 2. Remove 2 screws-B and remove the Fan(FN909).
 3. Remove 3 screws-C and remove the Cover -F.
 4. Remove 2 screws-D and remove the Fan(FN910).
 5. Remove 4 screws-E and remove the Holder-A.
 6. Remove 4 screws-F and remove the Holder-B.
 7. Remove 4 screws-G and remove the Holder-C.
 8. Remove 2 screws-H and remove the Holder-D.
- (See Fig.8-1)

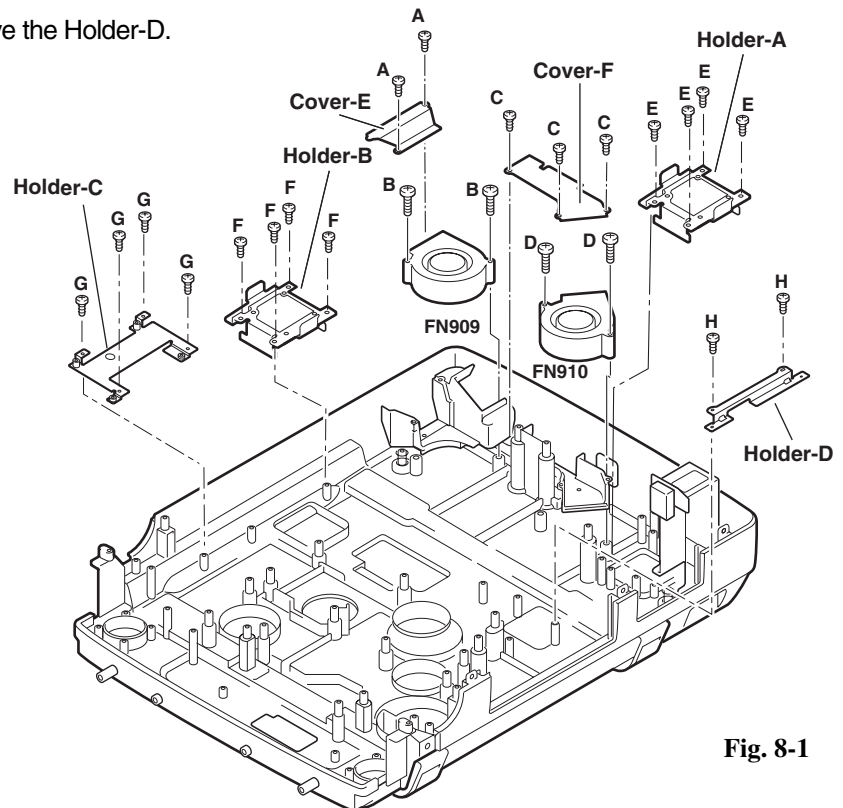


Fig. 8-1

8-2 Grounding Leads removal.

1. Remove 2 screws-A, remove 2 washers and remove the grounding leads from the Holder.
- (See Fig.8-2,8-2a)

Note : Removed grounding lead from the grounding mark may be reassembled in the same location.

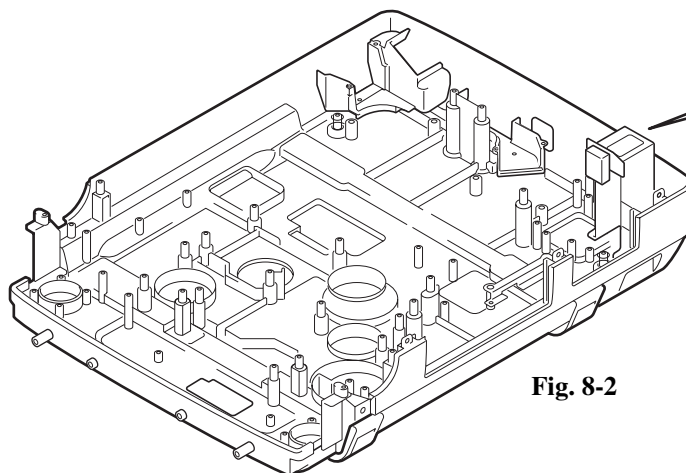


Fig. 8-2

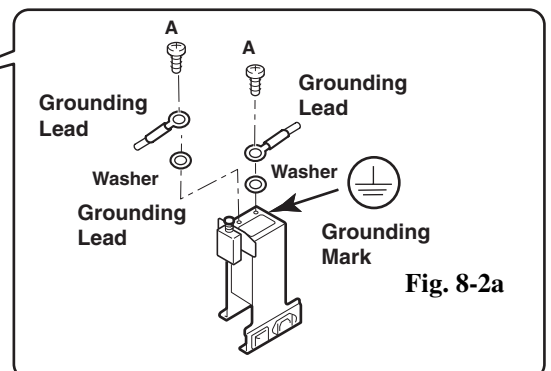


Fig. 8-2a

8-3 Mains switch Unit removal.

1. Remove 4 screws-A and remove the Main-SW Unit.
2. Remove 2 screws-B and remove the Lamp Cover Switch(SW902).
3. Remove 2 screws-D and remove the AC Inlet.
4. Unhook the stoppers and remove the Mains Switch(SW901).

Push part(a) and pull the Main Switch.

5. Remove 2 screws-C and remove the Noise Filter.

(See Fig.8-3, 8-3a)

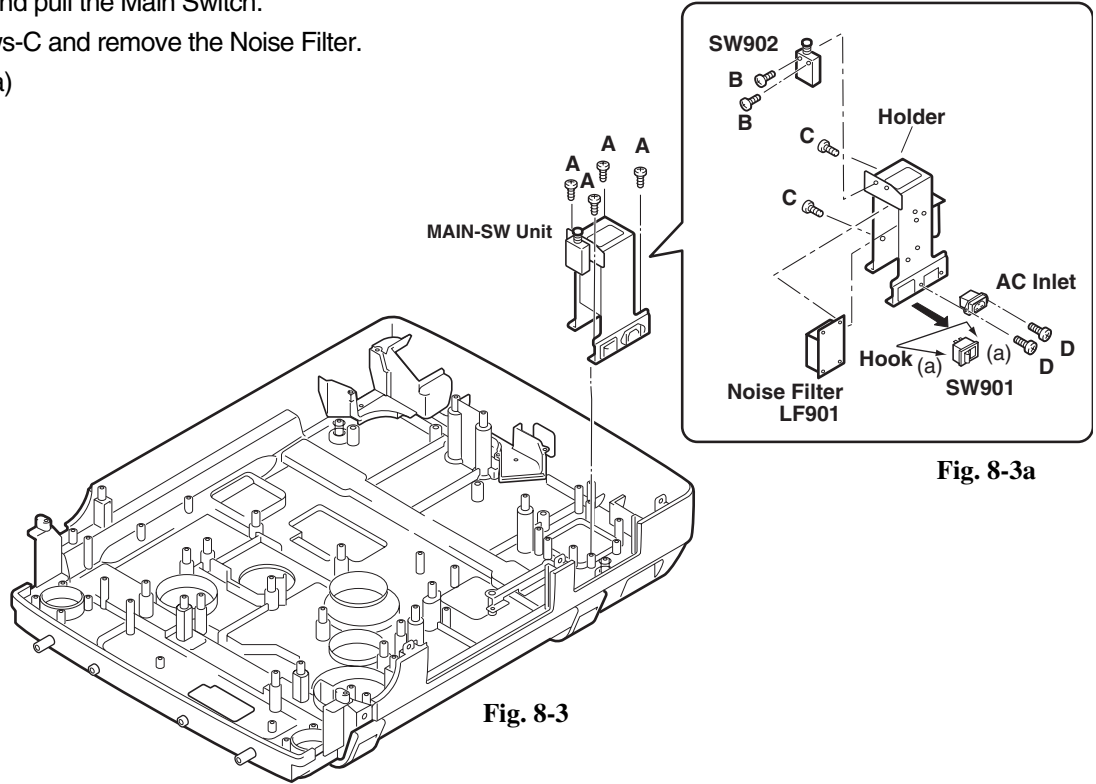


Fig. 8-3a

Fig. 8-3

To remove the Fuse.

LC-XT4E

Turn the fuse holder cover with the slot screw driver.
Remove the fuse and the fuse holder cover upward.

LC-XT4U

Remove the fuse and the fuse holder cover forward.

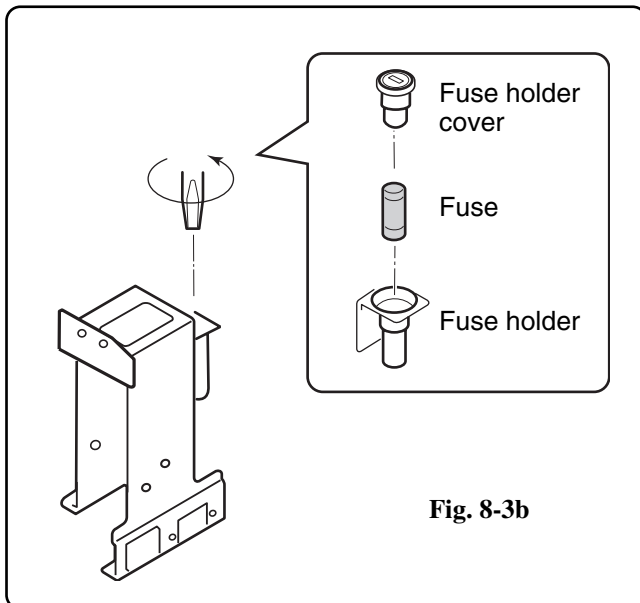


Fig. 8-3b

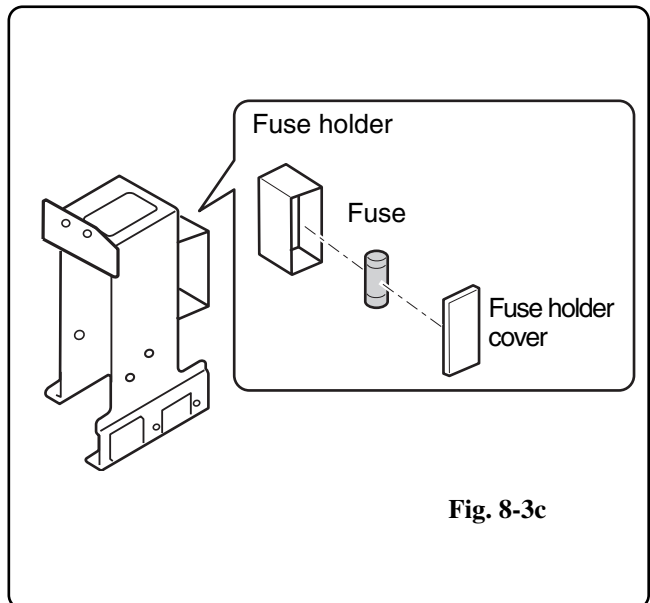


Fig. 8-3c

9-1 Ducts, R/C 2 Board, Filter Unit, NET Board and Panel removal.

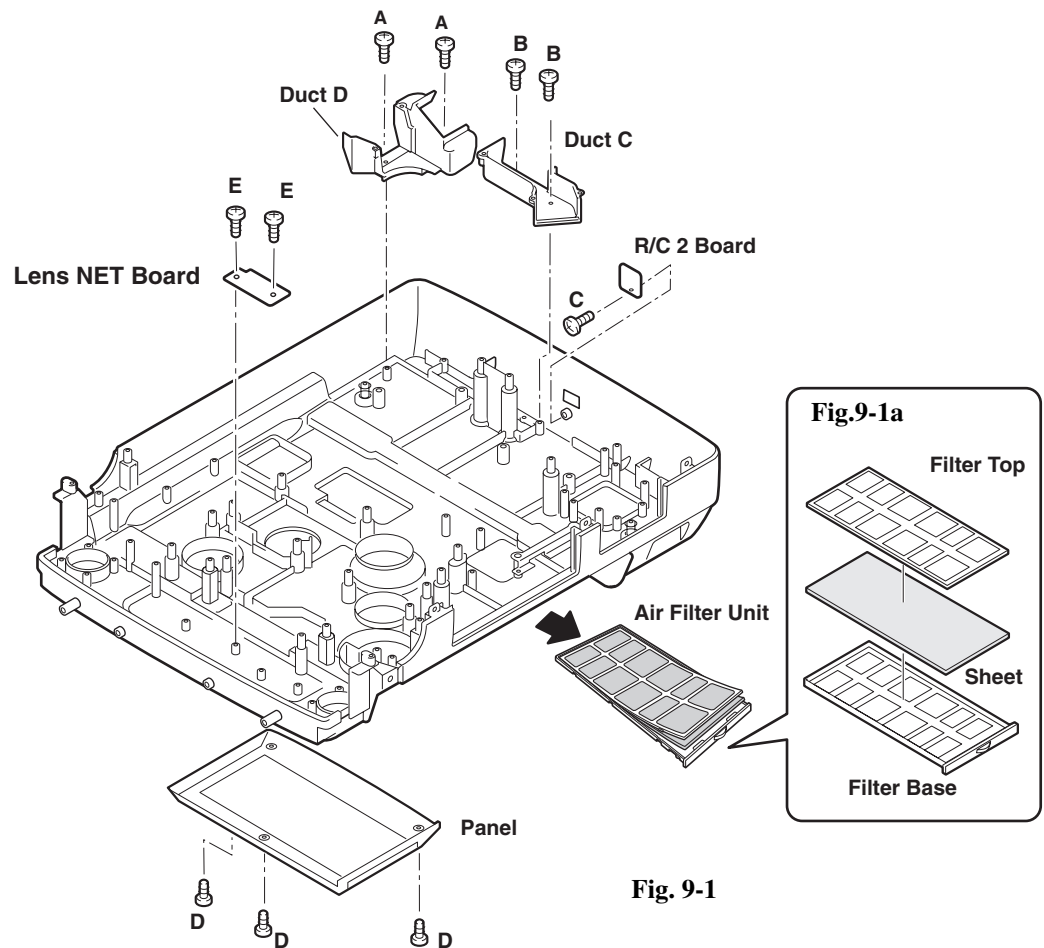
1. Remove 2 screws-A and remove the Duct D.
2. Remove 2 screws-B and remove the Duct C.
3. Remove screw-C and remove the R/C 2 Board.
4. Pull out Air Filter Unit.
5. Pulling up center frame of Filter top, separate Filter top and Sheet from Filter base.
6. Remove 3 screws-D and remove the Panel.
7. Remove 2 screws-E and remove the Lens NET Board.

(See Fig.9-1, 9-1a)

**CAUTION**

Do not operate a projector with air filter removed. Dust may accumulate on LCD panel and Mirror degrading picture quality.
Do not put small parts into air Intake Vents. It may result in malfunction of a projector.

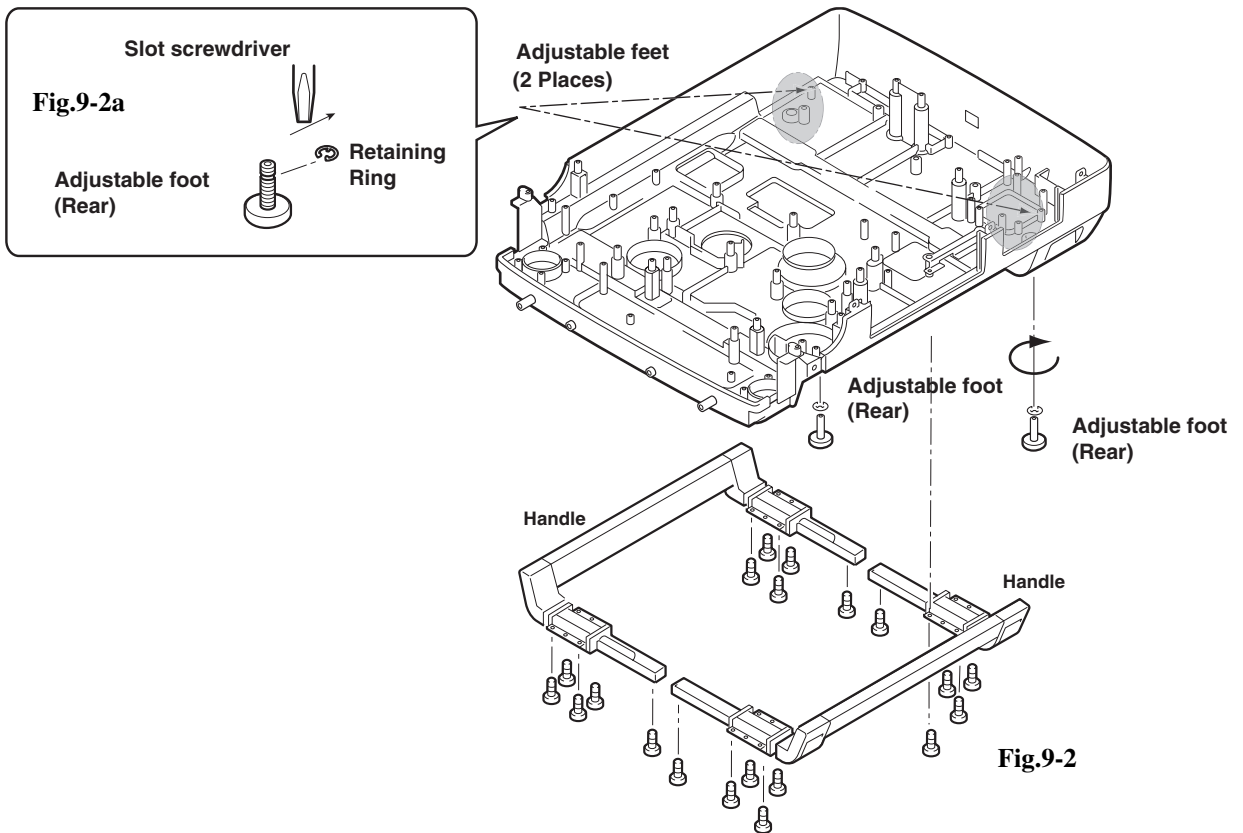
The filter be careful and handle. The effect of the filter runs out in case of a leak and it being broken off.



9-2 Rear adjustable feet and Handles removal.

1. Remove the Retaining ring(ER-type) by leaving it against the adjustable foot with slot screwdriver.
2. Turn the adjustable feet and to take from the Cabinet bottom off. (2 places)
3. Remove 20 screws and remove the Handles.

(See Fig.9-2, 9-2a)

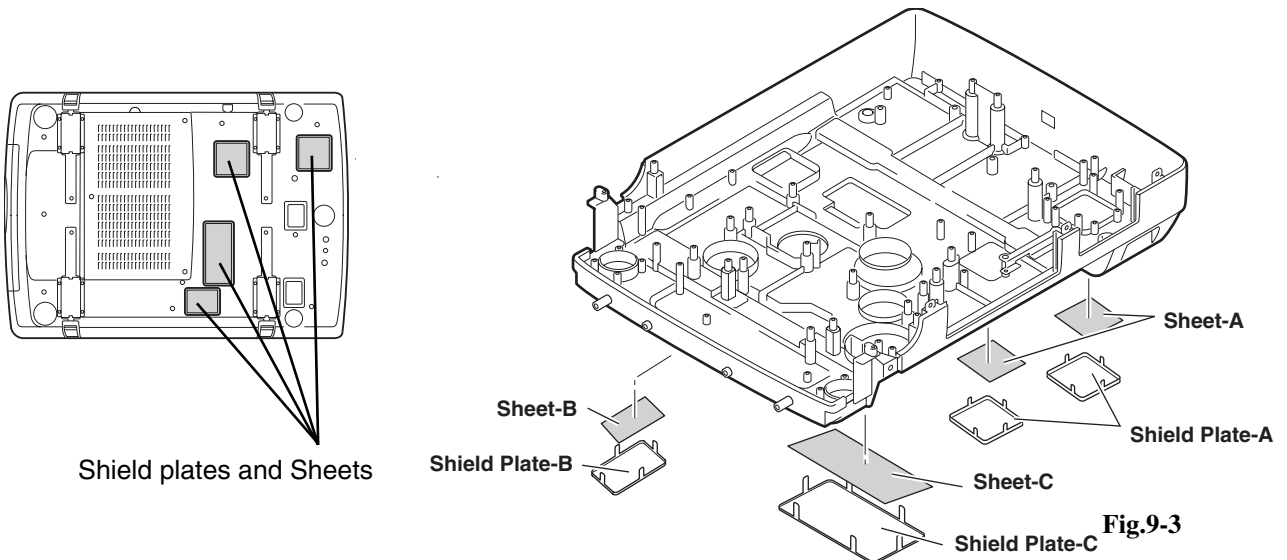


9-3 Shield plates and Sheets removal.

1. Remove the shield plates and sheets from the cabinet bottom.

(Shield plates are bent and attached in the cabinet bottom.)

(See Fig.9-3)



10-1 Net Boards(PBS Fan net, Lamp Fan net) removal.

1. Remove 2 screws-A and remove the PBS Fan net Board.
 2. Remove 2 screws-B and remove the Lamp Fan net Board.
- (See Fig.10-1)

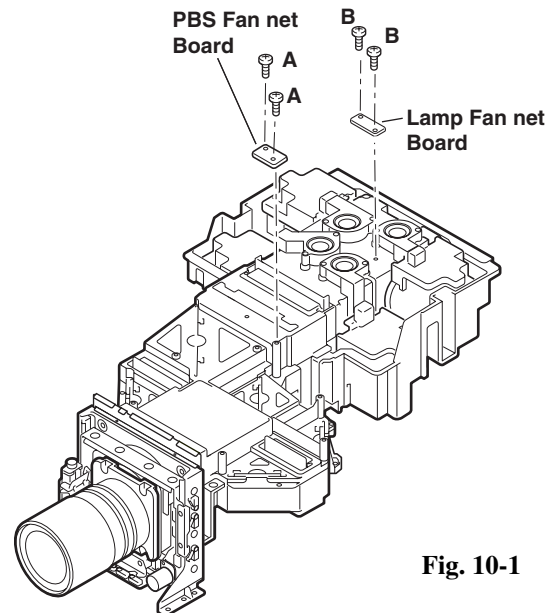


Fig. 10-1

10-2 Fans(FN911, FN912), EXH Fan net Board and Duct removal.

1. Remove 3 screws-A and remove the Duct.
 2. Remove 2 screws-B and remove the Fan(FN911).
 3. Remove 2 screws-C and remove the Fan(FN912).
 4. Remove 2 screws-D and remove the EXH Fan net Board.
- (See Fig.10-2)

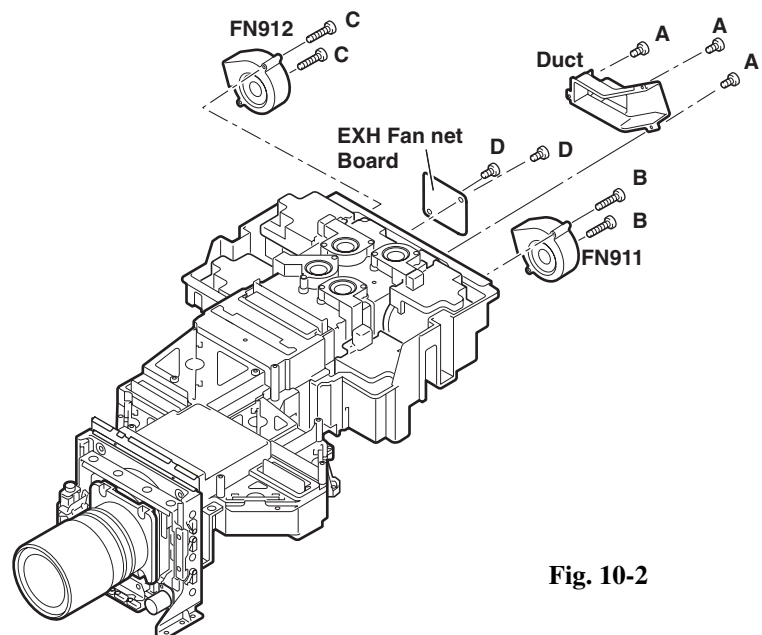


Fig. 10-2

10-3 Fan(FN915), Ducts, and Temperature switches removal.

1. Remove 2 screws-A and remove the Fan(FN915).
2. Remove 2 screws-B and remove the Duct PBS.
3. Remove 4 screws-D and remove the temperature switches (SW903,SW904,SW905,SW906).

(See Fig.10-3)

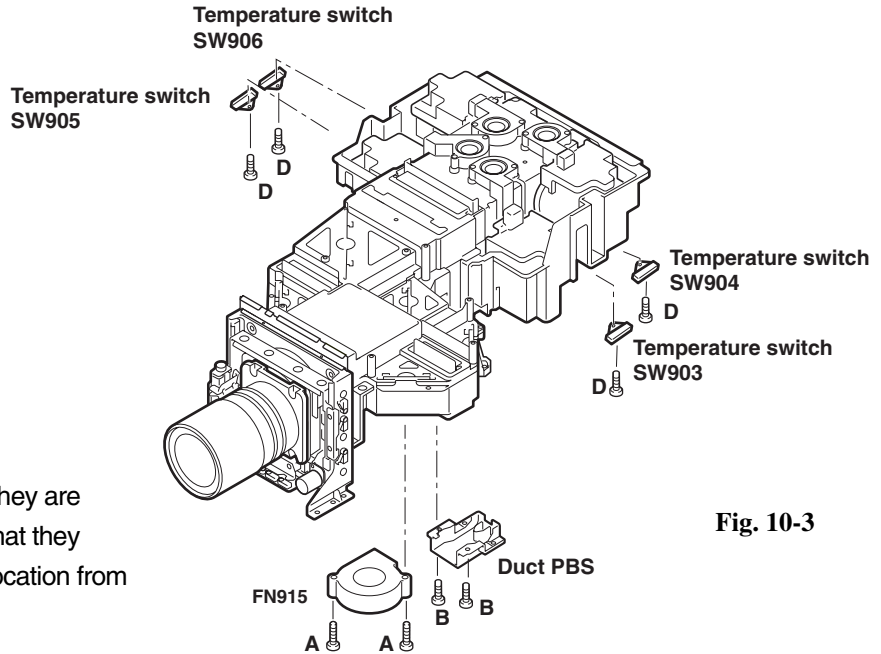


Fig. 10-3

Note;

Mark the temperature switches as they are removed from the optical base so that they may be reassembled in the same location from which they were removed.

10-4 Holders removal.

1. Remove 2 screws-A, remove 3 screws-b and remove the Holder-A.
2. Remove 3 screws-C and remove the Holder-B.

(See Fig.10-4)

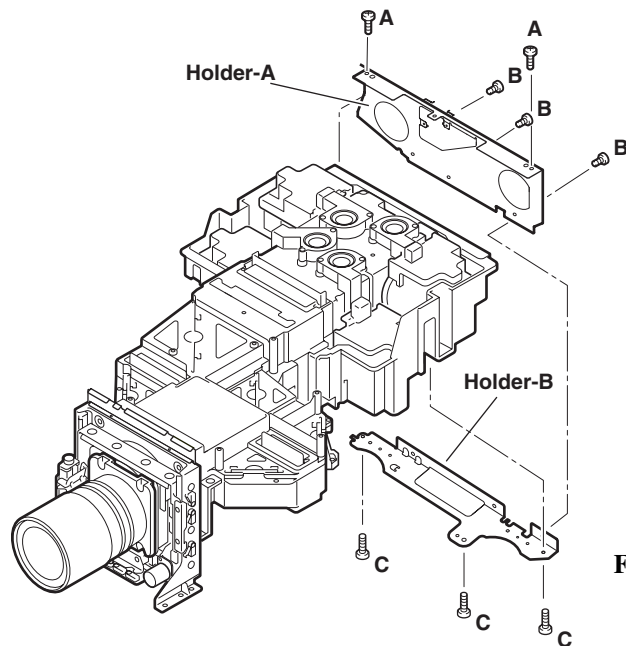


Fig. 10-4

Optical Unit Disassemblies

11 Projection lens and Lens shift unit removal.

1. Loosen the screw-D and remove the Safety Clamp. (See Fig. 11-a)
2. Slide the lens lock lever on the projector to "UNLOCK" (UPPER) position and detach the Projection lens with Mount Parts to the Lens shift unit. (See Fig. 11-b)

(Refer to Lens replacement and Installation procedures manual)

3. Loosen 4 screws-A and remove the Projection lens.
 4. Remove 4 screws-B and remove the Lens shift unit.
 5. Remove 2 screws-C and remove the plate.
- (See Fig.11, 11-c, 11-d)

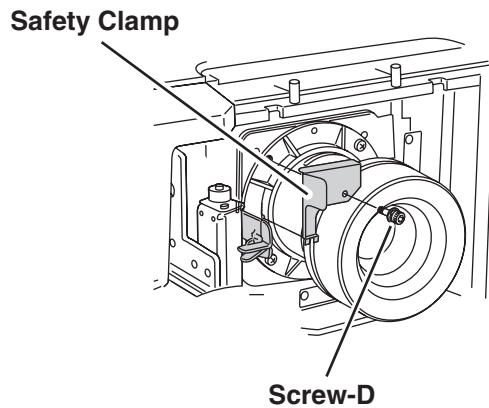


Fig.11-a

Lens lock lever
Unlock(upper) position

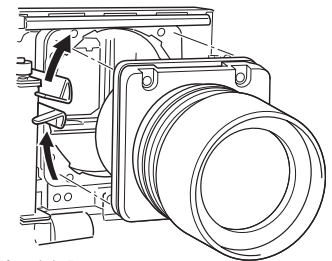


Fig.11-b

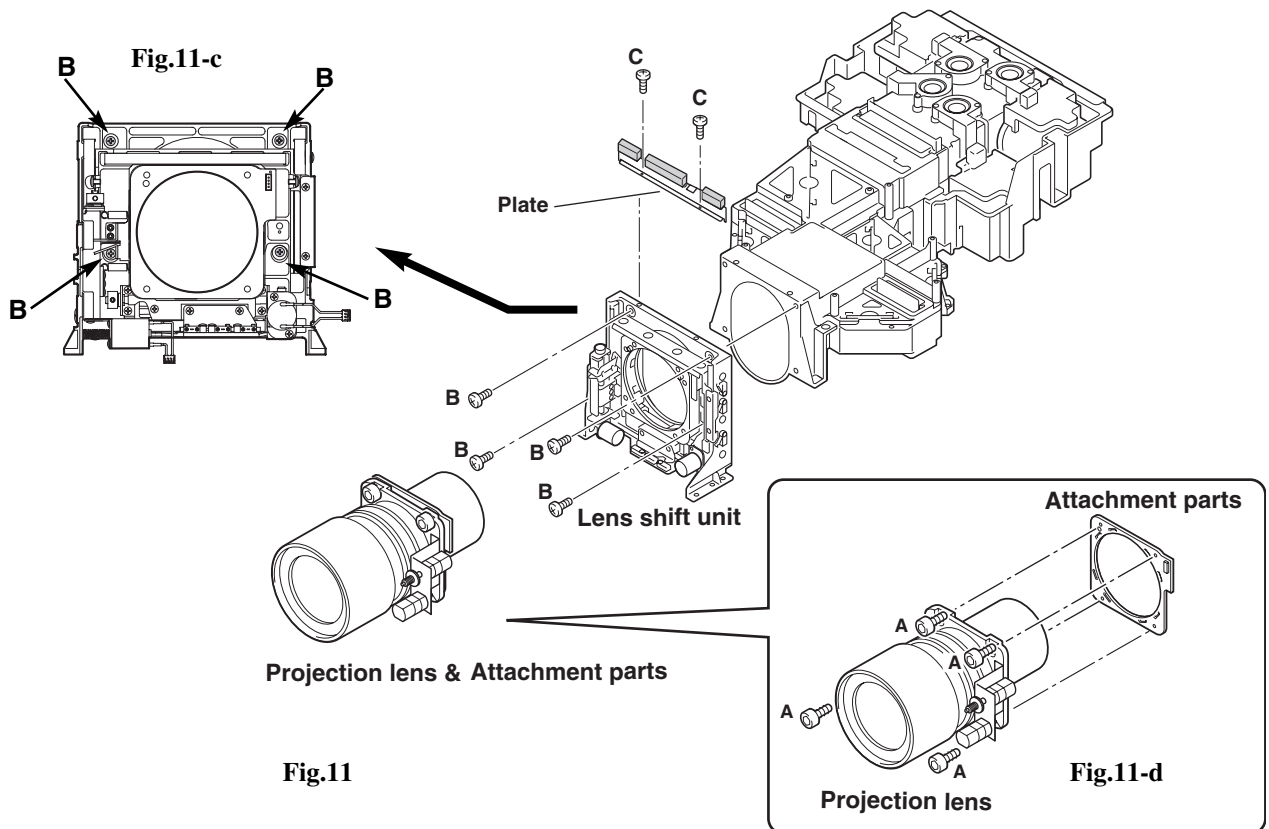


Fig.11

Fig.11-d

12-1 Prism/LCD panel unit removal.

1. Remove 4 screws and remove the Prism / LCD panel unit.
(Be careful not to damage the Prism / LCD panel unit with the driver.)
(See Fig.12-1)

Note :



Prism / LCD panel unit is a precision part. Be sure to handle this part with special attention. Do not drop it or give it excessive force. It may damage the parts and alignment.

Caution :



- (1). Do not touch the LCD panel and prism part directly with hand. Otherwise the optical parts may get dirty.
- (2). Since the LCD panel is equipped with CMOS-LSI, pay attention to static electricity. And do not touch the electrode of flexible cables.

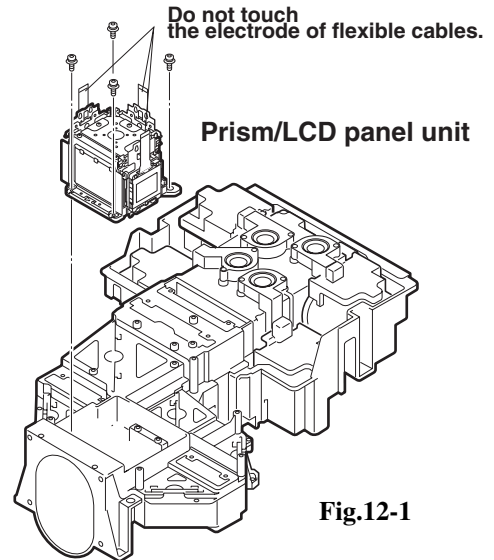


Fig.12-1

12-2 LCD panels removal.

1. Remove 9 screws-A and remove the LCD panels.
Except when there is the necessity for replace, do not remove the LCD panel.
(See Fig.12-2,12-2a)

Note :



Do not remove all three LCD panels at the same time. The standard in convergence adjustment runs out and it becomes not possible to do an adjustment. When exchanging three LCD panels at the same time, it recommends to exchange every in the Prism/LCD panel unit.

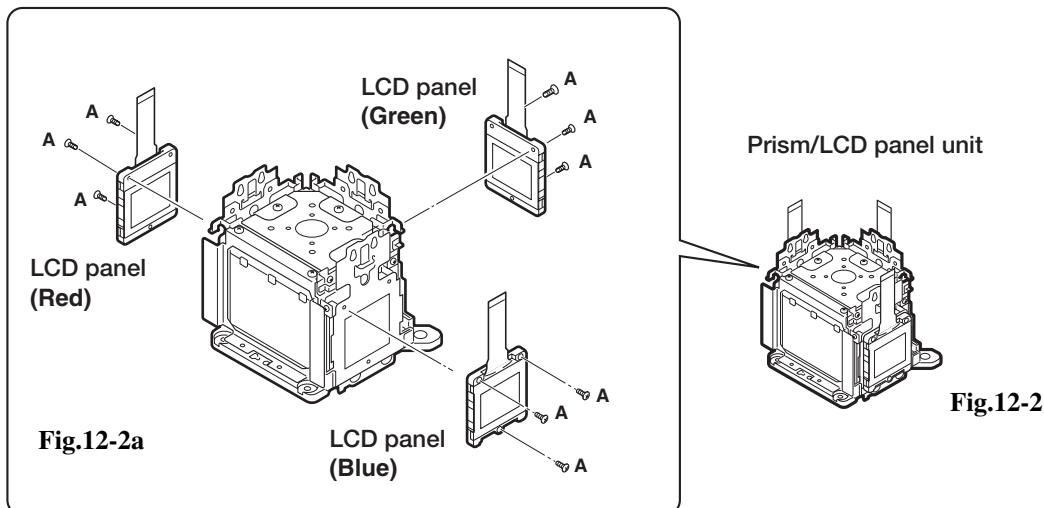


Fig.12-2a

Fig.12-2

12-3 Optical filters and Polarized glasses disassemblies.

1. Remove 3 screws-A and remove the stoppers.
2. Remove the plate.
3. Remove the polarized glasses and Prepolarized glasses upward.
(See Fig.12-3)



Note:

Each polarized glasses use different characteristic polarization glasses. Mark the polarizer units as they are removed from the optical unit so that they may be reassembled in the same location from which they were removed.

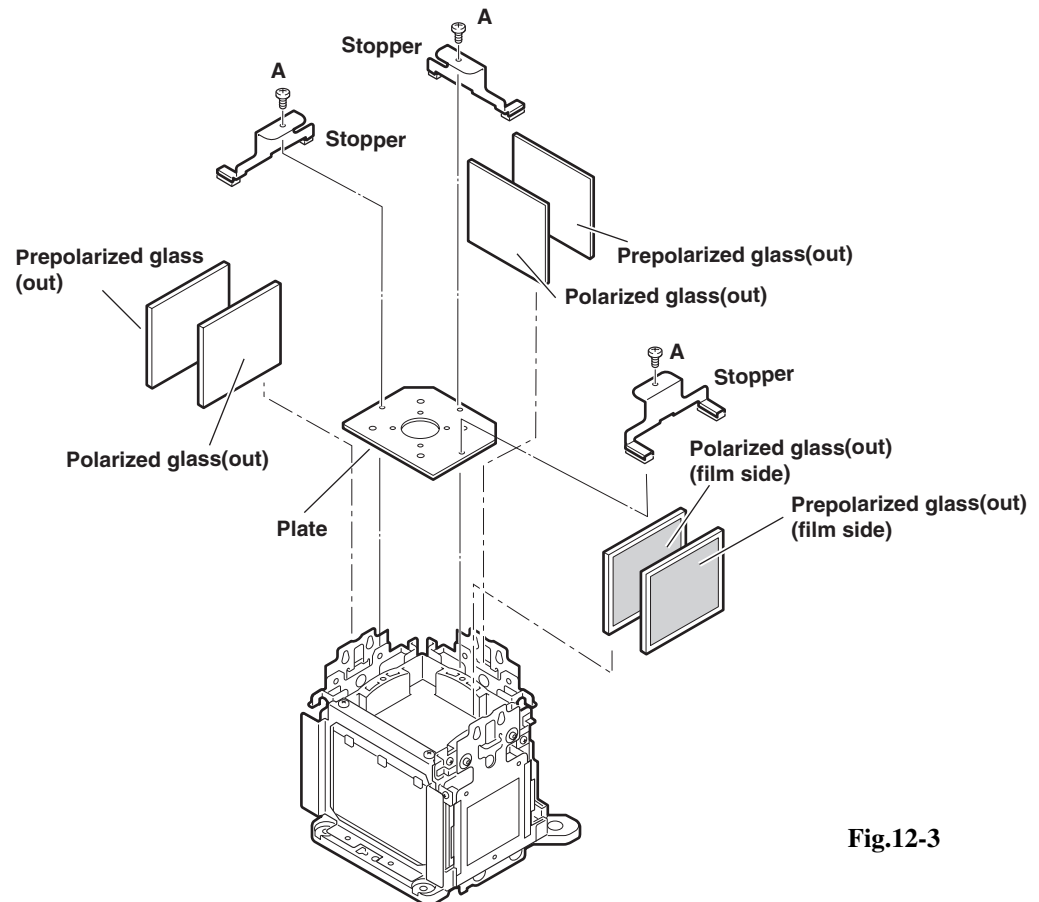
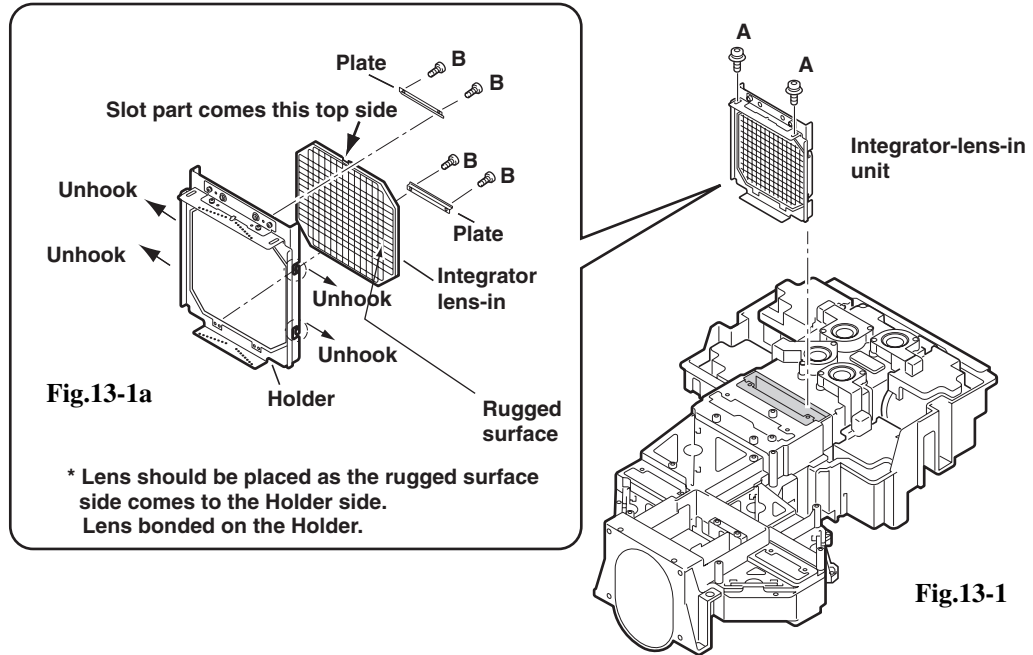


Fig.12-3

Glass should be placed as the film attached side comes to the LCD panel side.

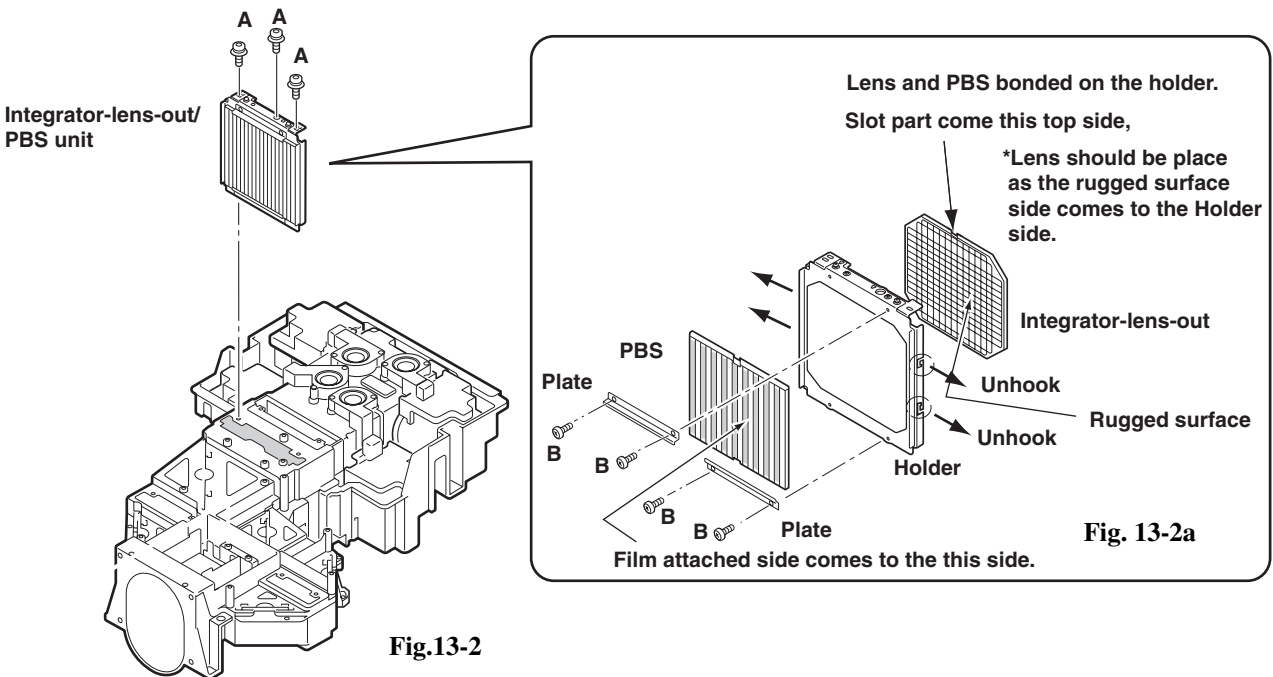
13-1 Integrator lens-in unit removal.

1. Remove 2 screws A and remove the Integrator lens in unit.
 2. Remove 4 screws B and remove the 2 Plates.
 3. Unhook the holder 4 places and remove the Integrator lens. (Integrator lens is bonded on the Holder.)
- (See Fig.13-1, 13-1a)



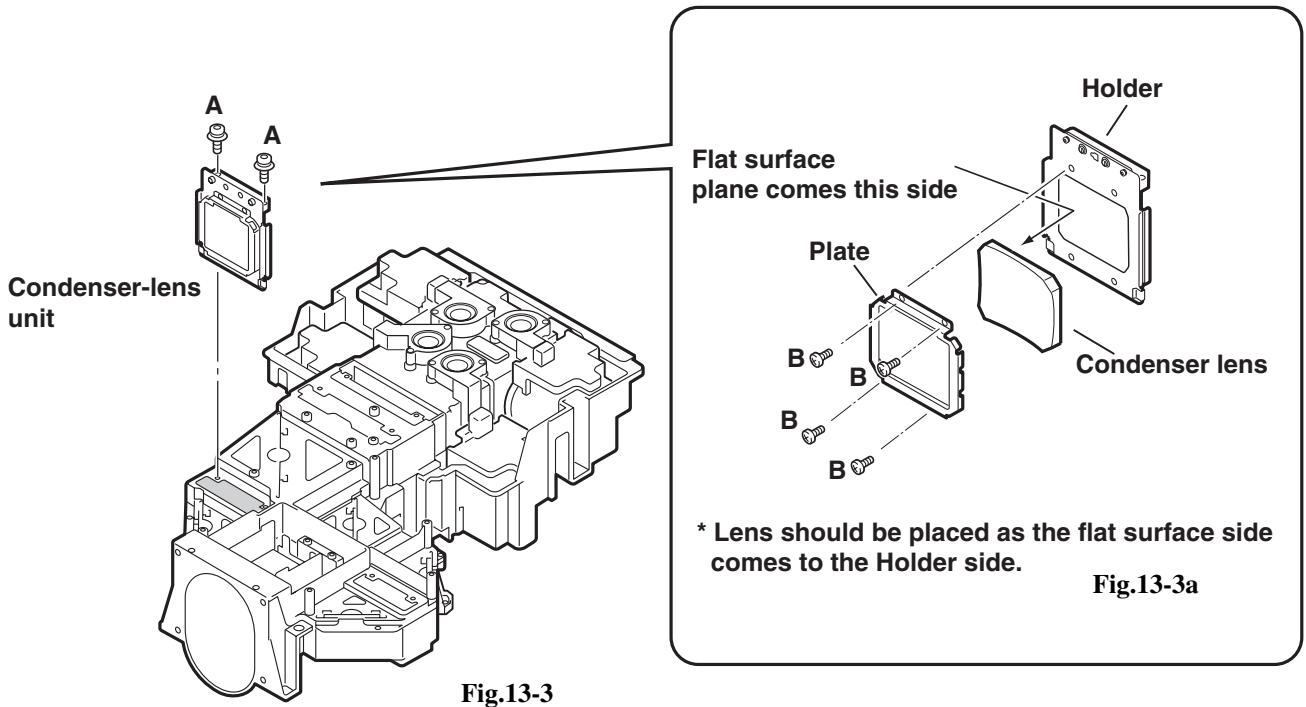
13-2 Integrator lens-out / PBS unit removal.

1. Remove 3 screws-A and remove the Integrator lens out / PBS unit.
 2. Remove 4 screws-B, remove the 2 Plates and remove the PBS.
 3. Unhook the holder 4 places and remove the Integrator lens. (Integrator lens and PBS are bonded on the Holder.)
- (See Fig.13-2, 13-2a)



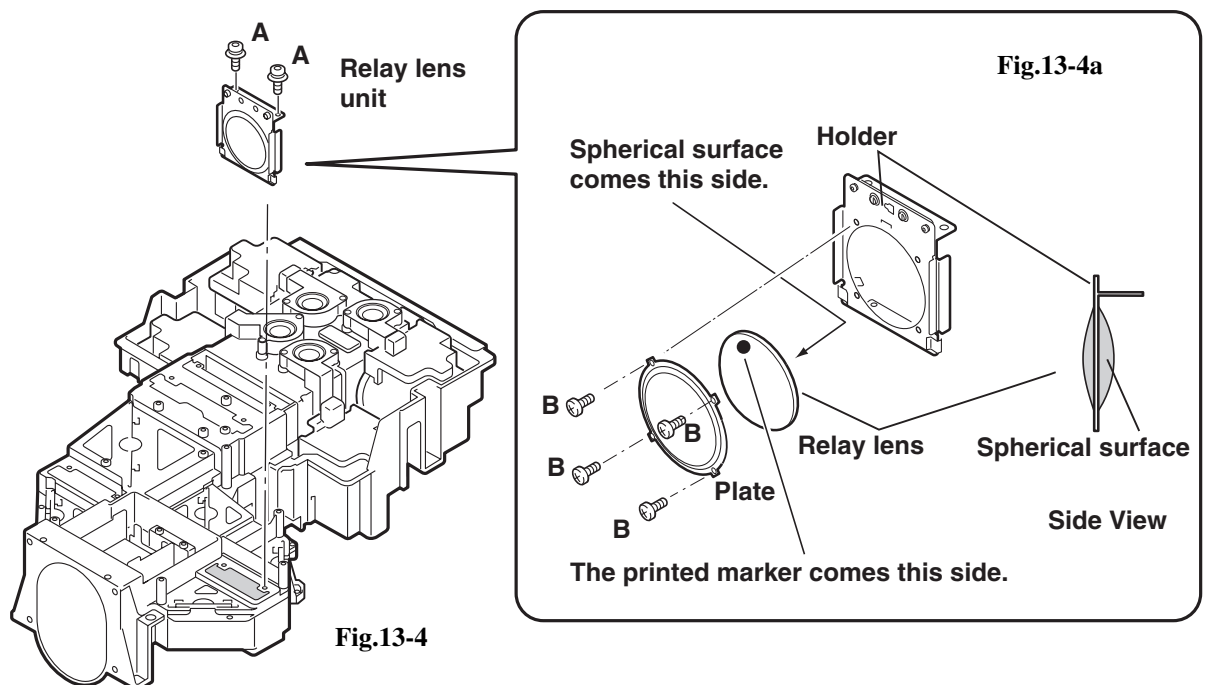
13-3 Condenser lens unit removal.

1. Remove 2 screws-A and remove the Condenser lens unit.
 2. Remove 4 screws-B, remove the plate and remove the Condenser lens.
- (See Fig.13-3, 13-3a)



13-4 Relay lens unit removal.

1. Remove 2 screws-A and remove the Relay lens unit.
 2. Remove 4 screws-B, remove the plate and remove the Relay lens.
- (See Fig.13-4, 13-4a)



13-5 Polarized units removal.

1. Remove 6 screws-A and remove the Polarized glass units. (See Fig.13-5)

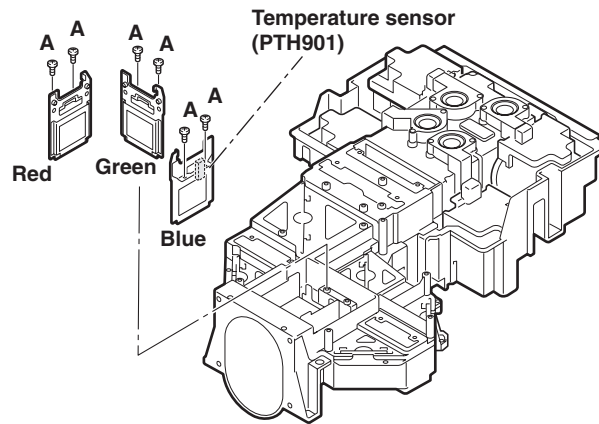


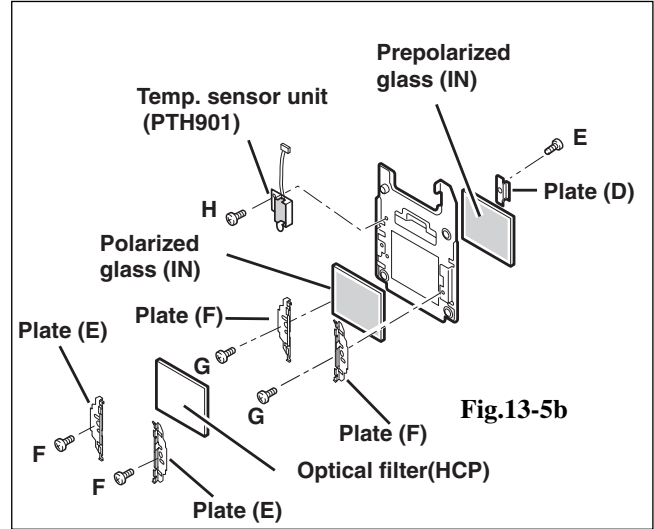
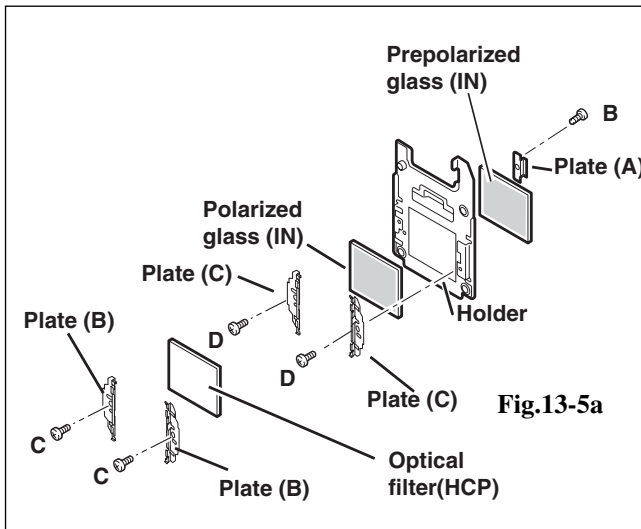
Fig.13-5

Red and Green Polarized Units

2. Remove screw-B, remove the plate(A) and remove the Prepolarized glass(IN).
 3. Remove 2 screws-C, remove the plates(B) and remove the Optical filter (HCP).
 4. Remove 2 screws-D, remove the plates(C) and remove the Polarized glass (IN).
- (See Fig.13-5a)

Blue Polarized unit

5. Remove screw-E remove the plate(D) and remove the Prepolarized glass(IN).
 6. Remove 2 screws-F, remove the plates(E) and remove the Optical filter (HCP).
 7. Remove 2 screws-G, remove the plates(F) and remove the Polarized glass (IN).
 8. Remove screw-H, and remove the Temperature sensor (PTH901) unit.
- (See Fig.13-5b)



13-6 Mirrors removal.

Remove 5 stoppers and pull the 5 mirrors upward.

(See Fig.13-6)

Note : Do not touch the mirrors surface directly with hand.

Each mirror uses different characteristic optical filter glasses. Mark the mirrors as they are removed from the optical unit so that they may be reassembled in the location and direction from which they were removed.

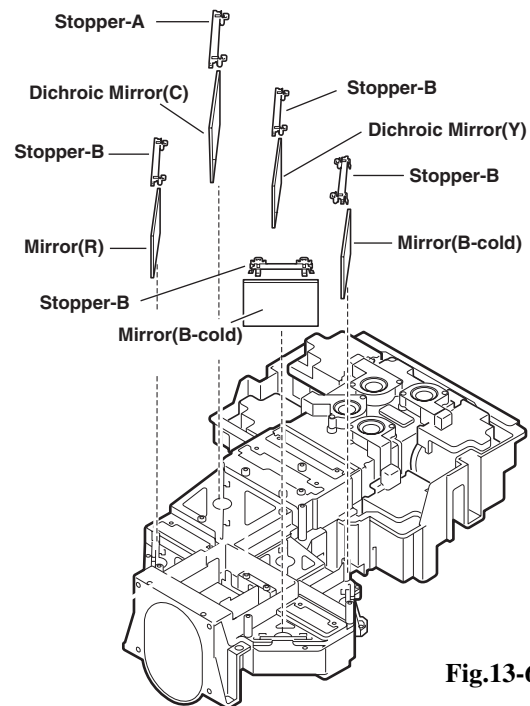


Fig.13-6

14 Assembly Lamps removal.

Loosen 8 screws-A and remove the 4 Lamp assemblies upward.

(See Fig.14)

Note : The characteristics and ages of lamps are managed by CPU. Mark the lamp assemblies as they are removed from the optical unit so that they may be reassembled in the same location from which they were removed.

CAUTION :

Do not operate a Projector while any of lamps removed. It may result in malfunctions, fire hazard, or other accidents.

Do not drop a lamp assembly or touch a glass bulb! Glass may shatter and may cause injury.

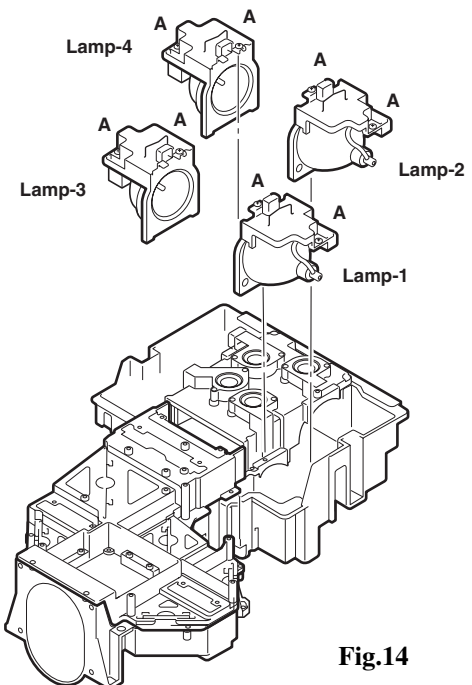


Fig.14

15 Optical base top removal.

1. Remove 11 screws and remove the Optical base top.
Be careful not to damage the optical parts.
(See Fig.15)

Note:

Be careful of the optical base top slowly and remove it. Otherwise optical parts follow together and become cause to damage.

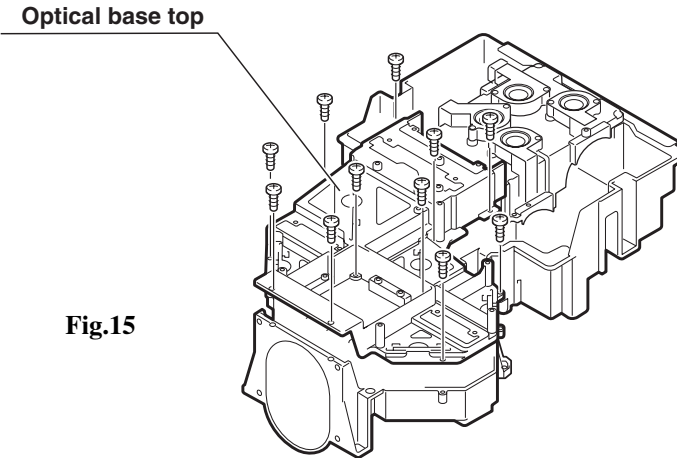


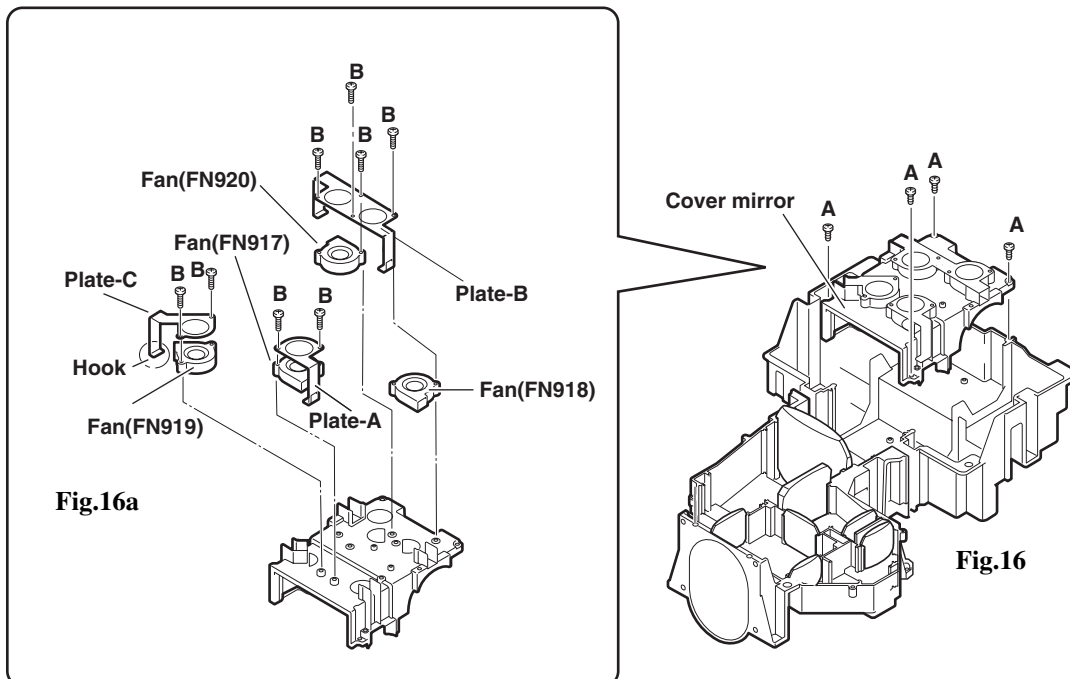
Fig.15

16 Cover mirror and Fans (FN917, FN918, FN919, FN920) removal.

1. Remove 4 screws-A and remove the Cover mirror.
2. Remove 8 screws-B, unhook the plates and remove the Fans.
(See Fig.16,16a)

Note :

Mark the Fans as they are removed from the cover mirror so that they may be reassembled in the same location from which they were removed.



17-1 Mirror units removal and disassemblies.

1. Remove 4 screws-A and remove the Mirror units.
2. Remove 4 screws-B and remove the Stoppers(C).
3. Remove screw-C and remove the Stopper(E).
4. Remove screw-D and remove the Stopper(D).
5. Remove 2 screws-E and remove the Stoppers(B).
6. Remove 4 screws-F and remove the Stoppers(A).

(See Fig.17-1, 17-2a)

Mirror units are same as.

Note : Do not touch mirrors surface directly with hand.

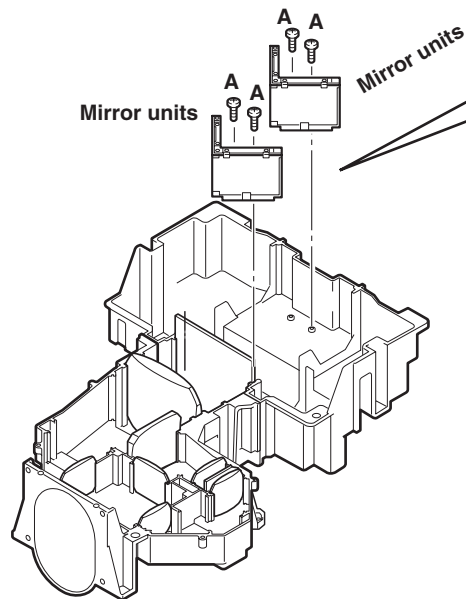


Fig.17-1

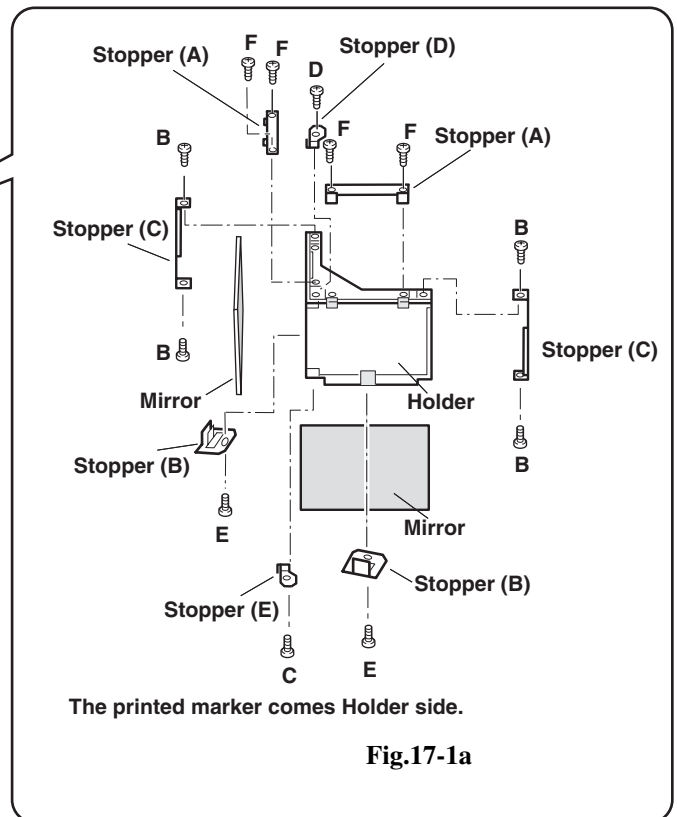


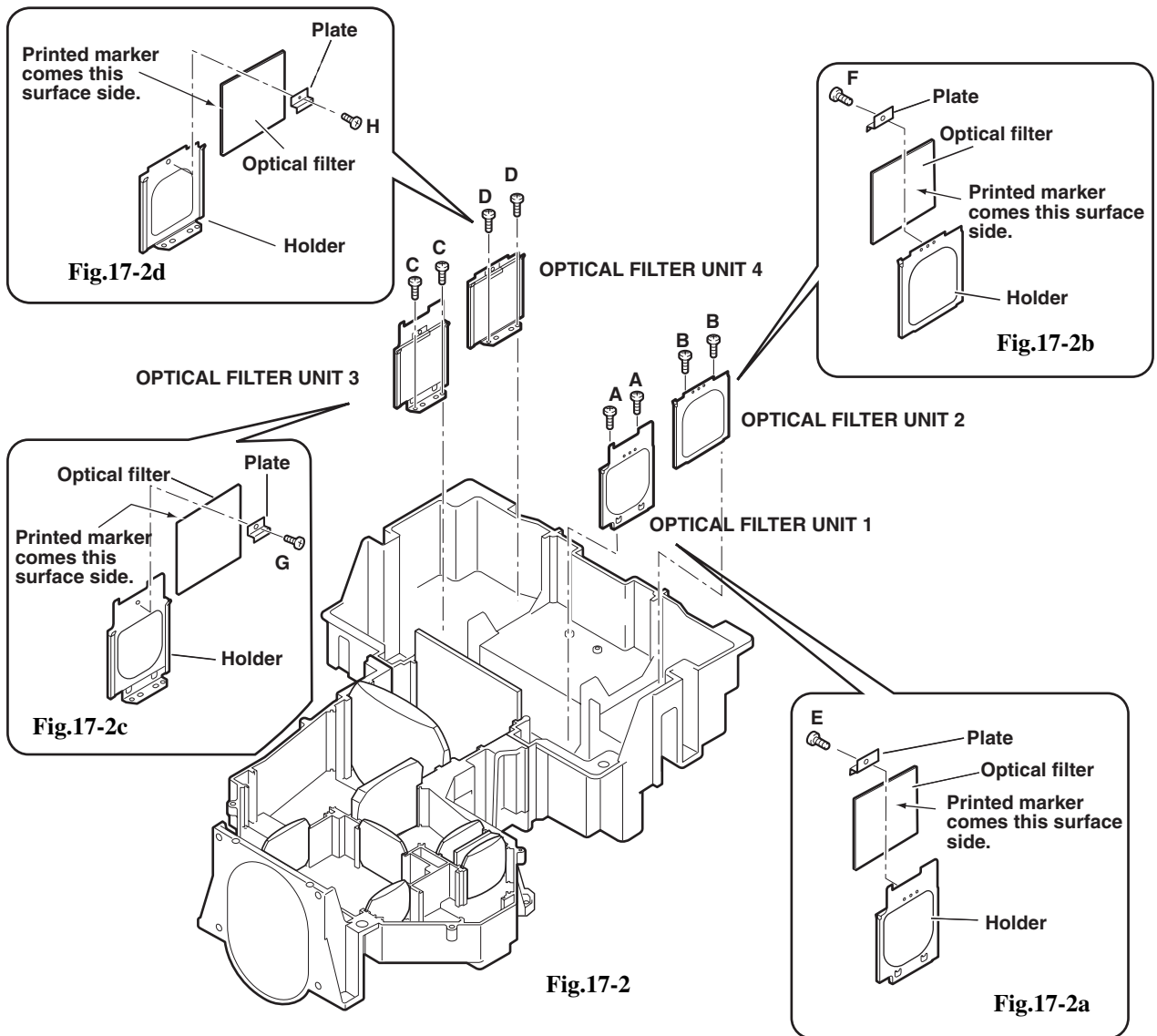
Fig.17-1a

17-2 Optical Filter units removal and disassemblies.

1. Remove 2 screws-A and remove the Optical filter unit1.
 2. Remove screw-E, remove the plate and remove the Optical filter upward. (See Fig.17-2a)
 3. Remove 2 screws-B and remove the Optical filter unit2.
 4. Remove screw-F, remove the plate and remove the Optical filter upward. (See Fig.17-2b)
 5. Remove 2 screws-C and remove the Optical filter unit3.
 6. Remove screw-G, remove the plate and remove the Optical filter upward. (See Fig.17-2c)
 7. Remove 2 screws-D and remove the Optical filter unit4.
 8. Remove screw-H, remove the plate and remove the Optical filter upward. (See Fig.17-2d)
- (See Fig.17-2, 17-2a, 17-2b, 17-2c, 17-2d)

Note : Do not touch optical filters surface directly with hand.

Each mirror uses different characteristic optical filter glasses. Mark the mirrors as they are removed from the optical unit so that they may be reassembled in the location and direction from which they were removed.



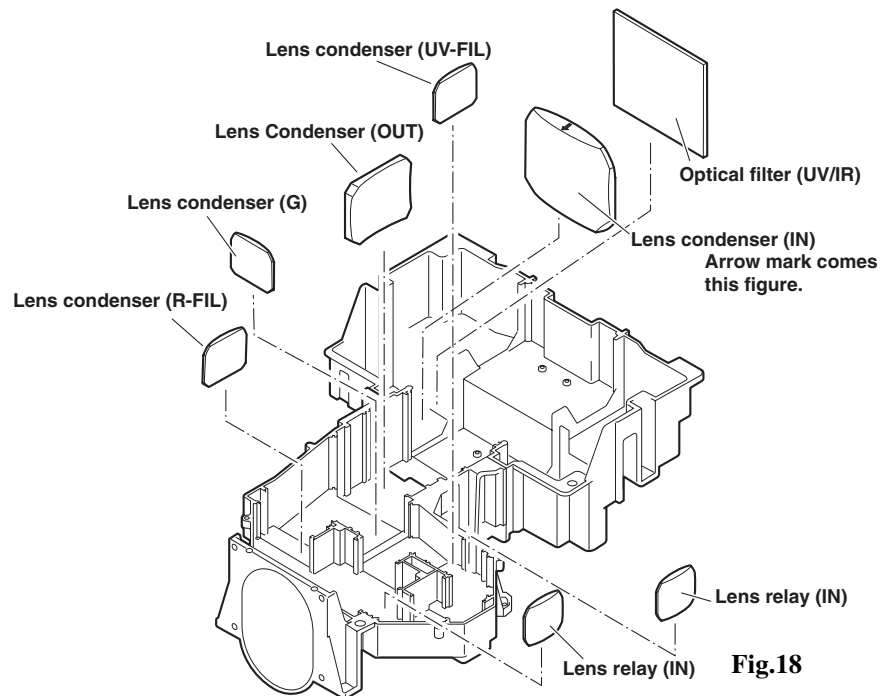
18 Optical Filters and Lenses removal.

1. Remove Optical filter(UV/IR), remove the Condenser lens(IN), remove the Condenser lens(OUT), remove the Relay lens(IN), remove the Condenser lens(R-FIL), remove the Condenser lens(UV-FIL), and remove the Condenser lens(G) upward.

(See Fig.18)

Note : Do not touch optical filters and lenses surface directly with hand.

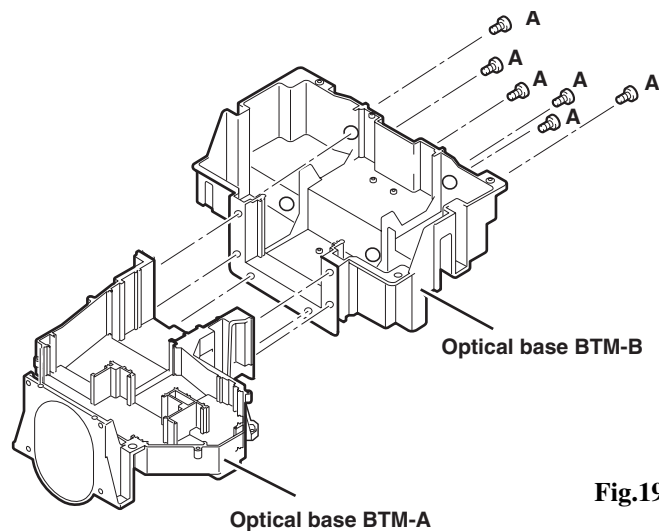
Mark the mirrors as they are removed from the optical unit so that they may be reassembled in the location and direction from which they were removed.



19 Optical base BTM disassemblies.

1. Remove 6 screws-A, remove the Optical Base BTM-A and the Optical Base BTM-B disassemblies.

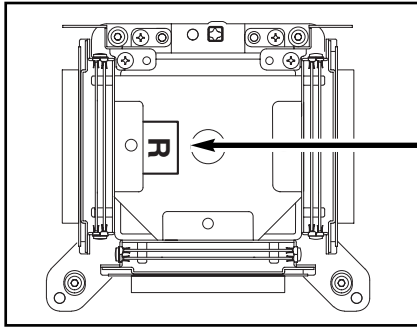
(See Fig.19)



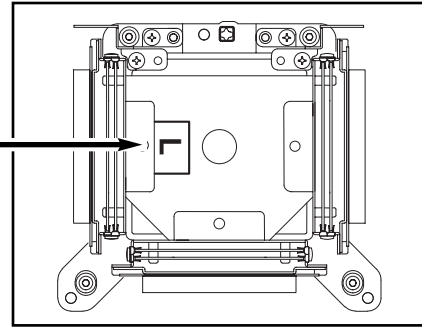
Optical Parts Location and Direction

Note: There are 2 types of Optical unit. (Type-R and Type-L)
 Each Optical unit must combine and use the specific Optical parts.

TYPE-R



TYPE-L



Marking (R or L)

Confirm the label of a LCD panel/prism assembly and the optical unit. (R or L)

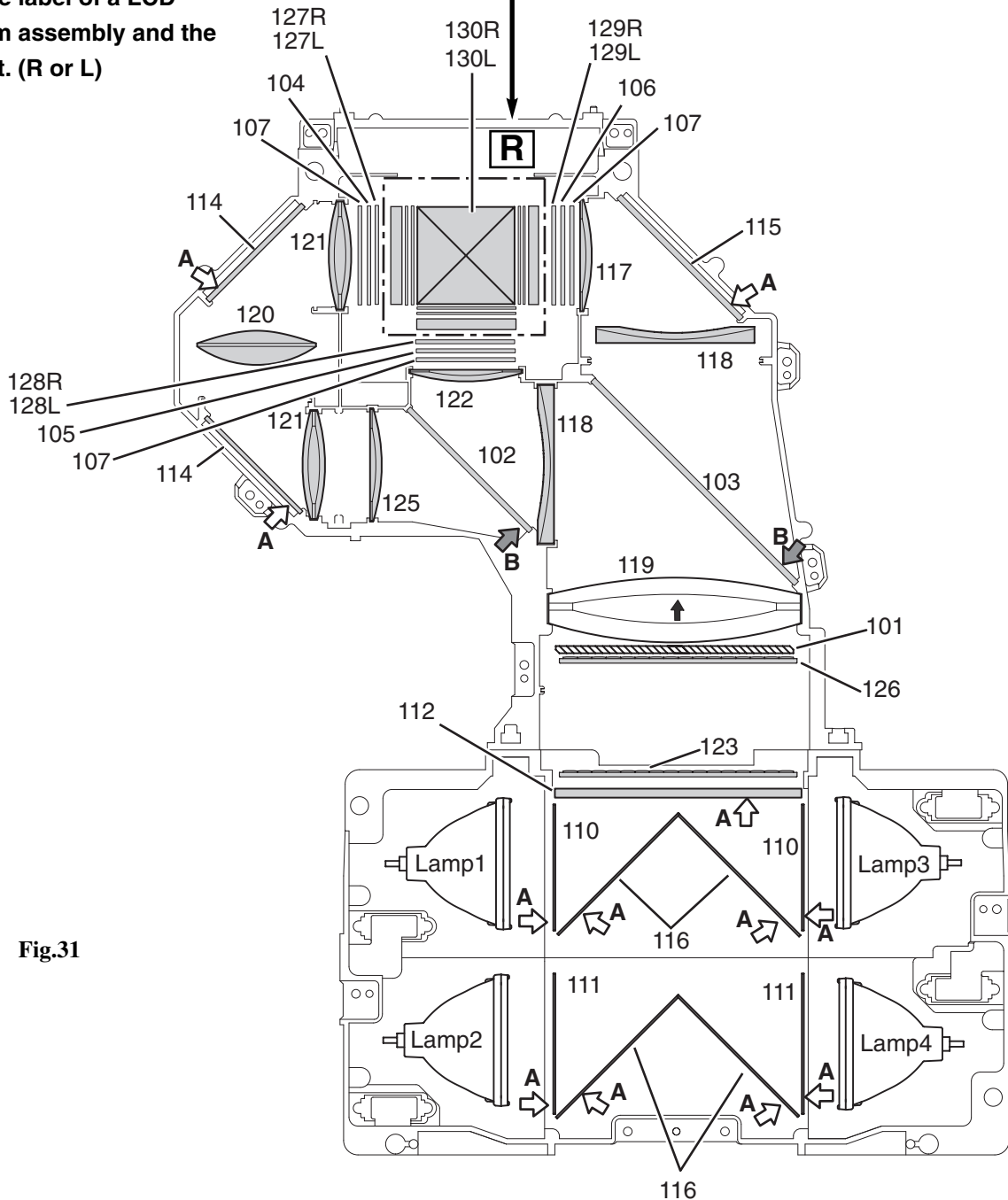


Fig.31

KEY No.	DESCRIPTION	KEY No.	DESCRIPTION
101	PRISM ASSEMBLY (PBS)	119	LENS-CONDENSER (IN)
102	DICHROIC MIRROR (Y)	120	LENS-RELAY (OUT)
103	DICHROIC MIRROR (C)	121	LENS-RELAY (IN)
104	POLARIZED GLASS (IN/B)	122	LENS-CONDENSER(G)
105	POLARIZED GLASS (IN/G)	123	LENS-INTEGRATOR
106	POLARIZED GLASS (IN/R)	125	LENS-CONDENSER(UV-FIL)
107	PREPOLARIZED GLASS (IN)	126	LENS-INTEGRATOR(OUT)
110	OPTICAL FILTER	127R	OPTICAL FILTER (HCP)(TYPE-R)
111	OPTICAL FILTER	127L	OPTICAL FILTER (HCP)(TYPE-L)
112	OPTICAL FILTER (UV/IR)	128R	OPTICAL FILTER (HCP)(TYPE-R)
114	MIRROR (B-COLD)	128L	OPTICAL FILTER (HCP)(TYPE-L)
115	MIRROR (R)	129R	OPTICAL FILTER (HCP)(TYPE-R)
116	MIRROR (COLD)	129L	OPTICAL FILTER (HCP)(TYPE-L)
117	LENS-CONDENSER(R-FIL)	130R	PRISM/LCD PANEL ASSEMBLY(TYPE-R)
118	LENS-CONDENSER(OUT)	130L	PRISM/LCD PANEL ASSEMBLY(TYPE-L)

Optical Unit Type-R

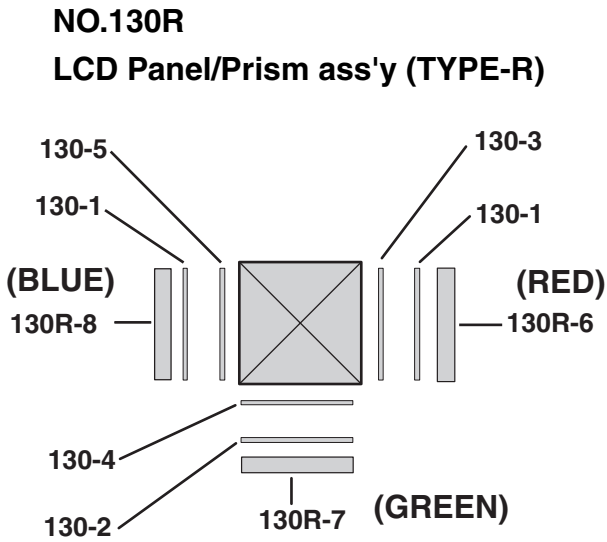


Fig.32a

130-1	POLARIZED GLASS(OUT)RB
130-2	POLARIZED GLASS(OUT)G
130-3	POLARIZED GLASS(OUT/R)
130-4	POLARIZED GLASS (OUT/G)
130-5	POLARIZED GLASS (OUT/B)
130-6R	LCD PANEL (R) (TYPE-R)
130-7R	LCD PANEL (G) (TYPE-R)
130-8R	LCD PANEL (B) (TYPE-R)

Optical Unit Type-L

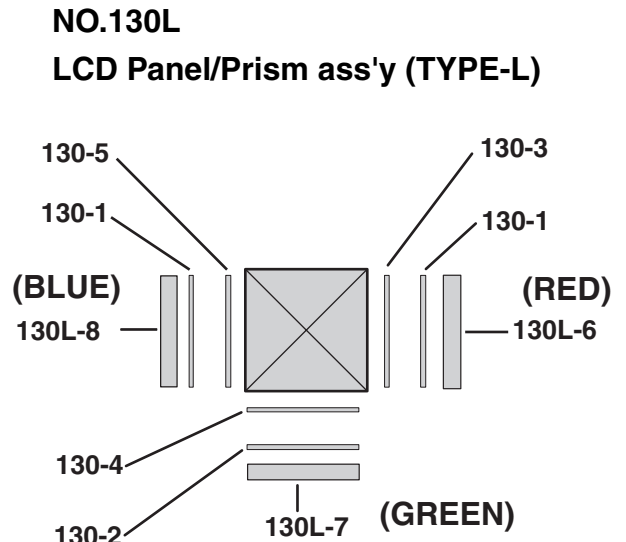


Fig.32b

130-1	POLARIZED GLASS(OUT)RB
130-2	POLARIZED GLASS(OUT)G
130-3	POLARIZED GLASS(OUT/R)
130-4	POLARIZED GLASS (OUT/G)
130-5	POLARIZED GLASS (OUT/B)
130-6L	LCD PANEL (R) (TYPE-L)
130-7L	LCD PANEL (G) (TYPE-L)
130-8L	LCD PANEL (B) (TYPE-L)

Optical filter(HCP) and Polarized glass

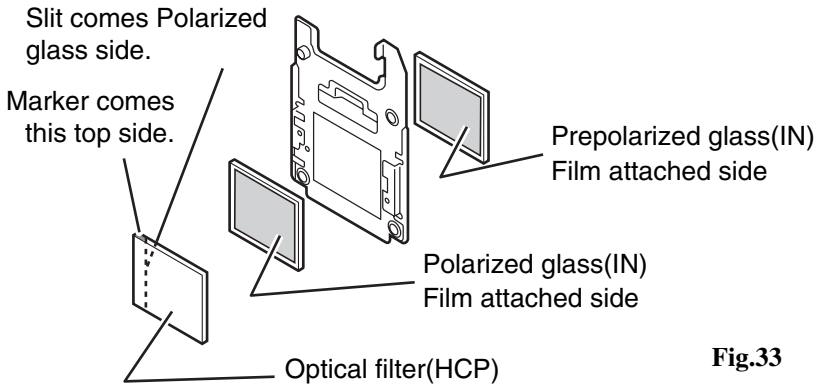


Fig.33

Relay lens(OUT)

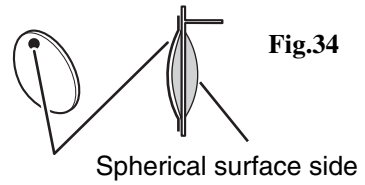


Fig.34

Integrator lens (In)

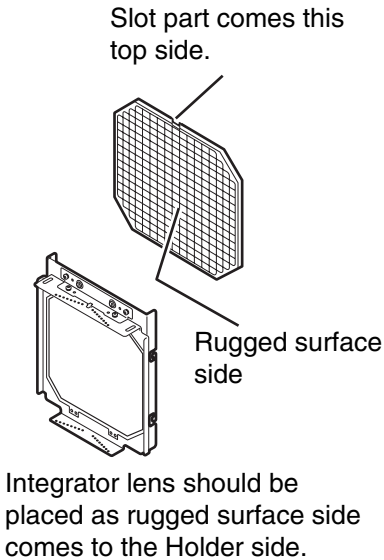
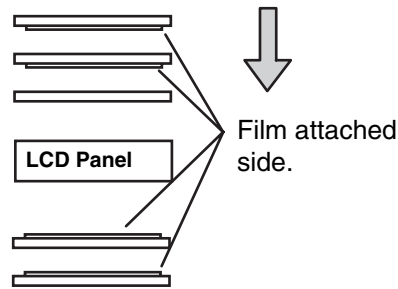


Fig.35

Polarized glass



Polarized glasses should be placed as the film attached side comes to the LCD panel side.

Fig.36

Mirror and Optical filter

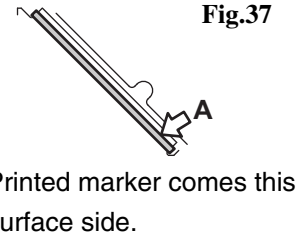


Fig.37

Dichroic mirror

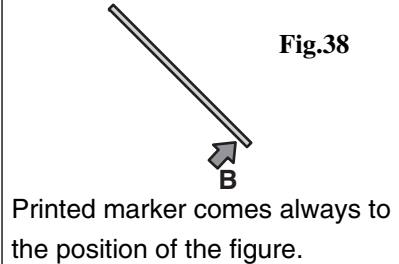


Fig.38

PBS and Integrator lens (OUT)

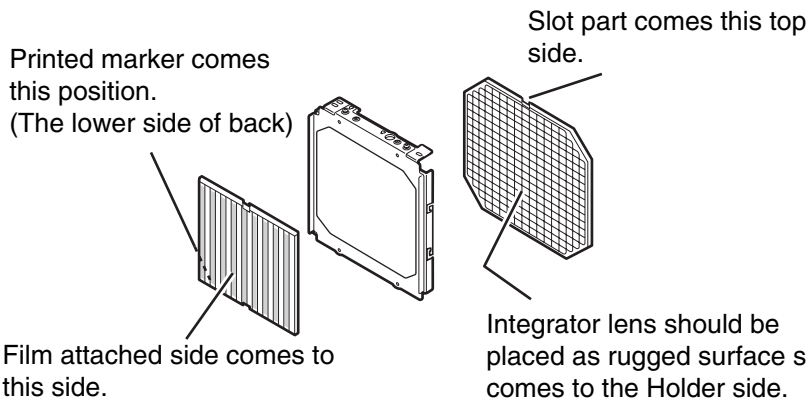


Fig.39

Condenser Lens(OUT)

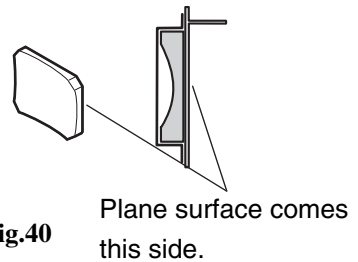


Fig.40

Condenser Lens(IN)

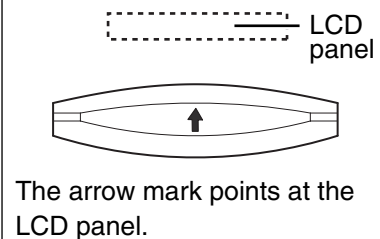


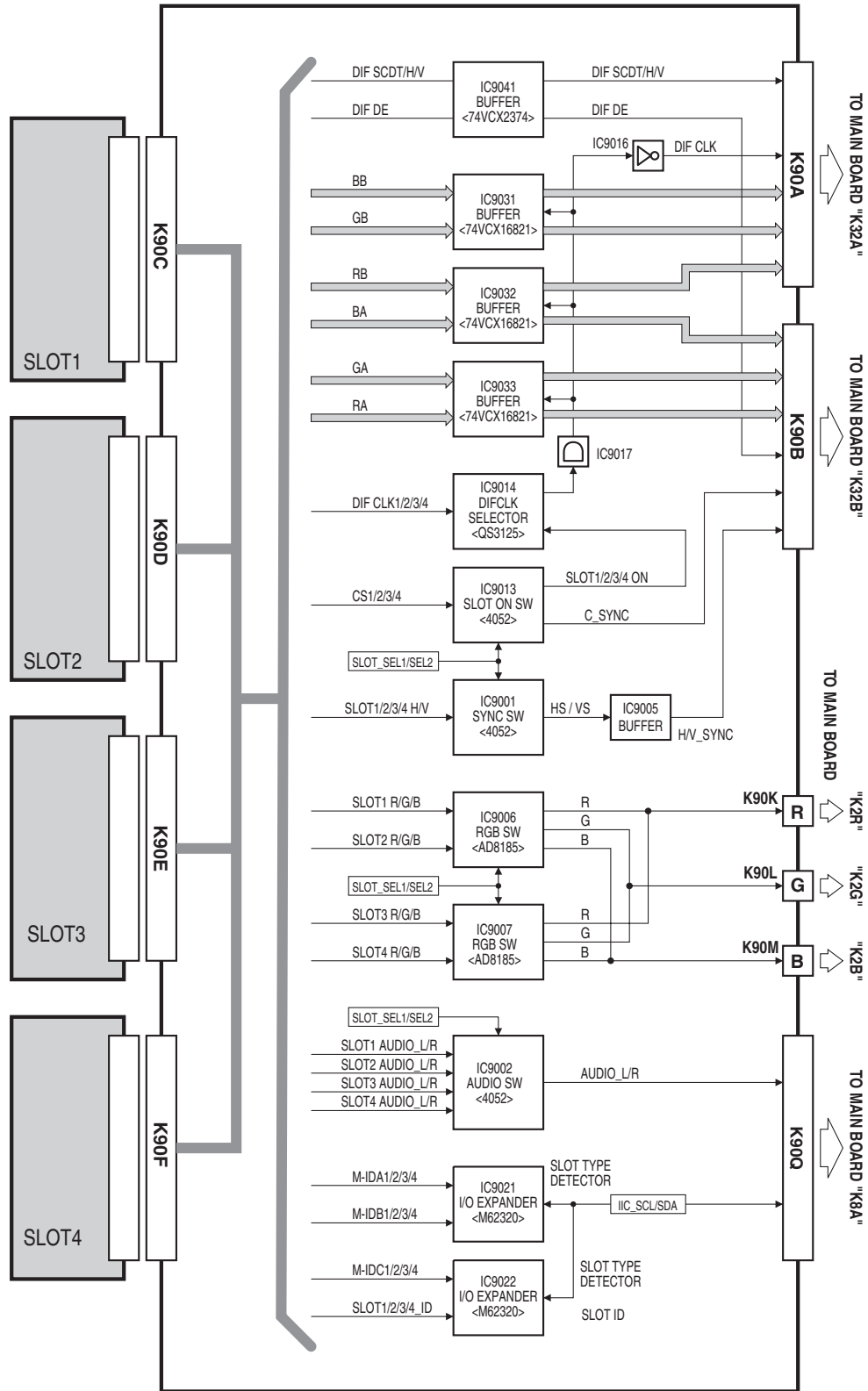
Fig.41

■ Troubleshooting

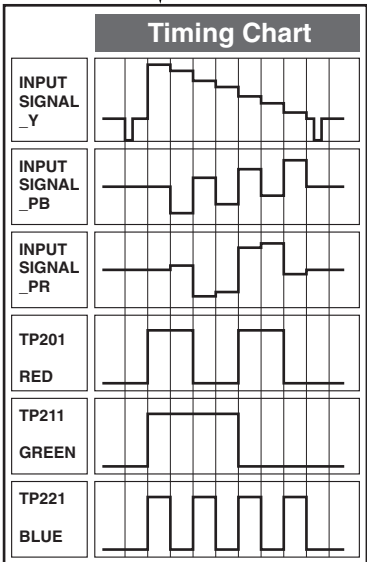
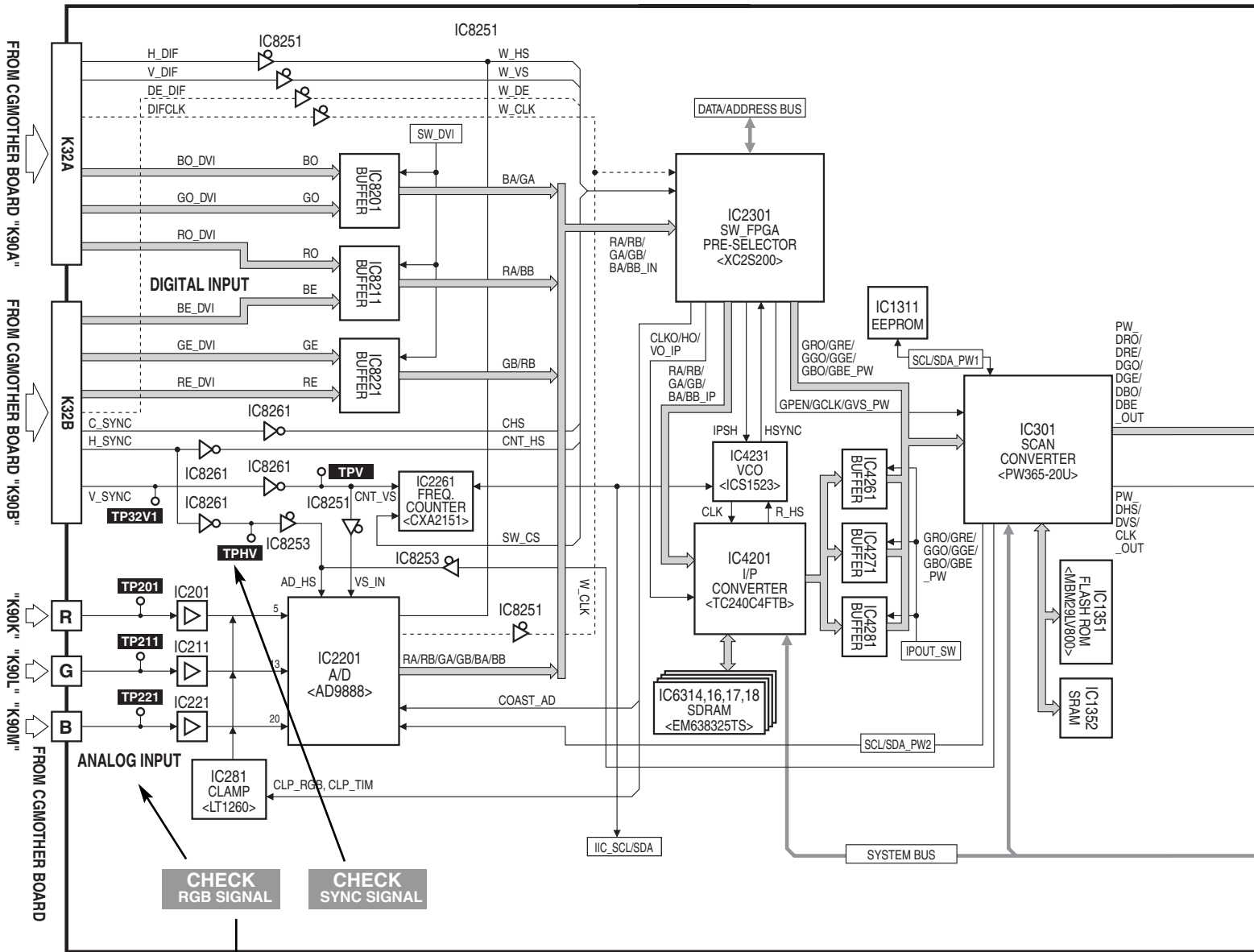
● No Picture

Check the CG_MOTHER Board.

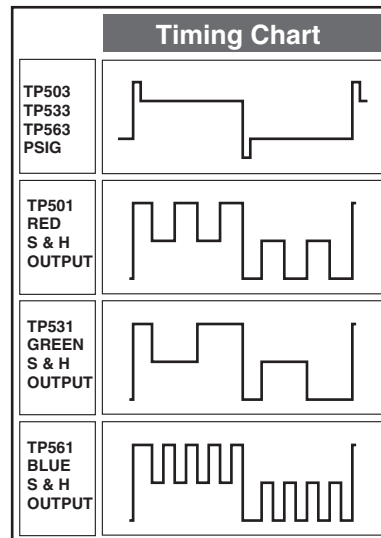
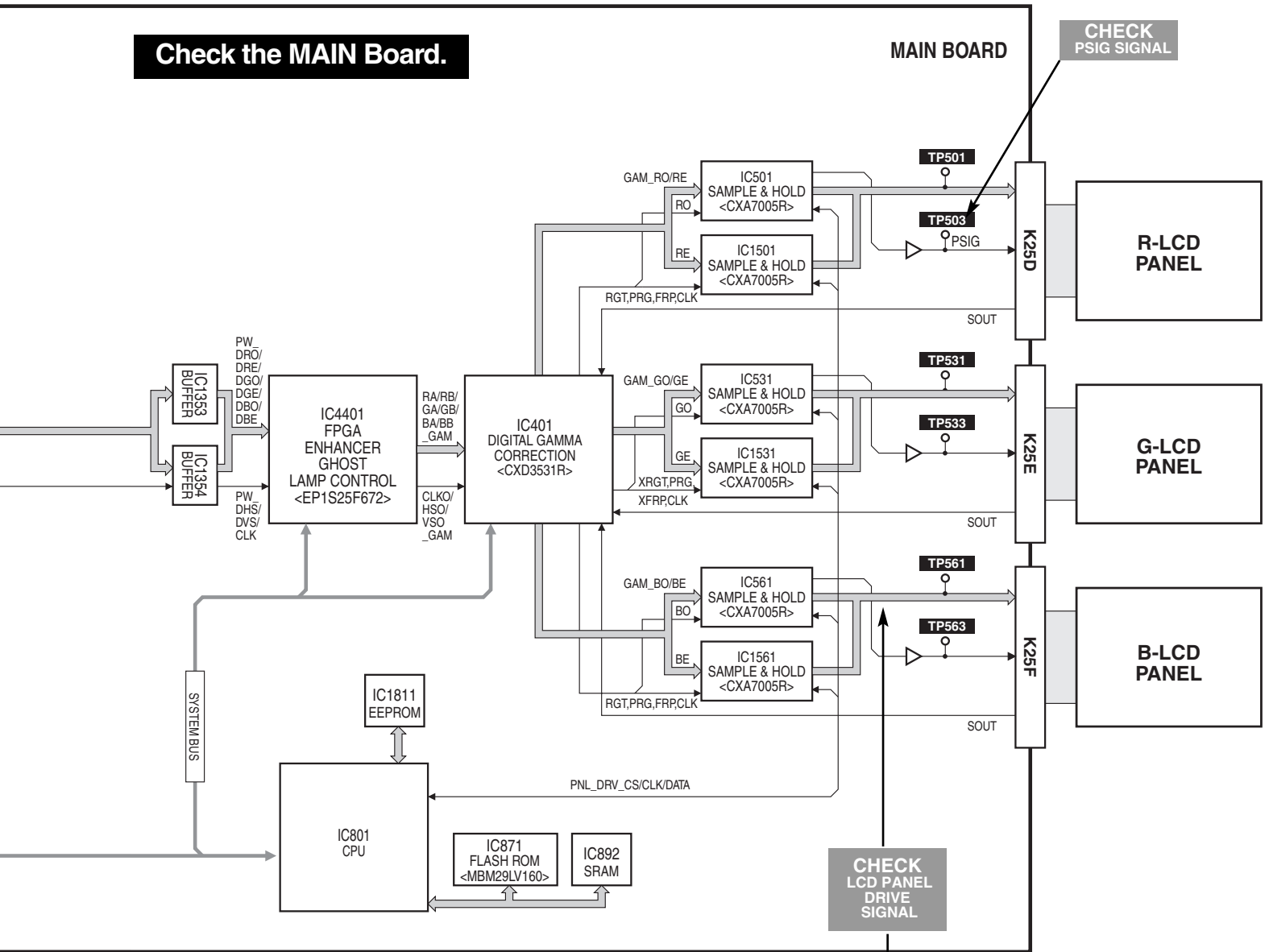
Check the Vcc voltages.
 S9V / S6V (Always)
 9V / 5VB / -5V (Switched)
 Check the signal lines.



● No Picture



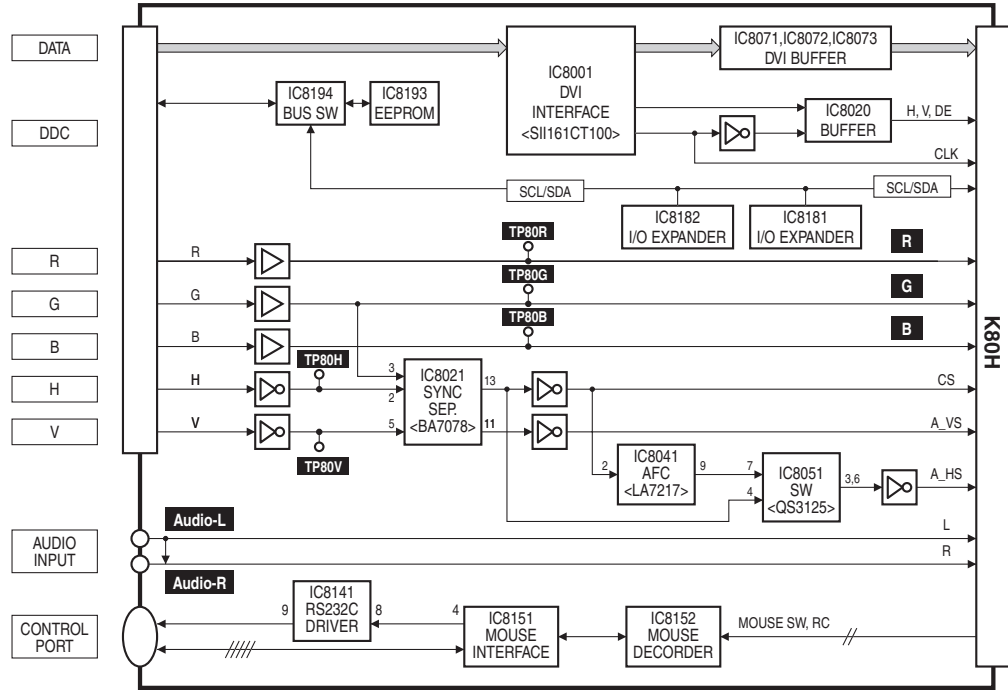
Check the MAIN Board.



● No Picture

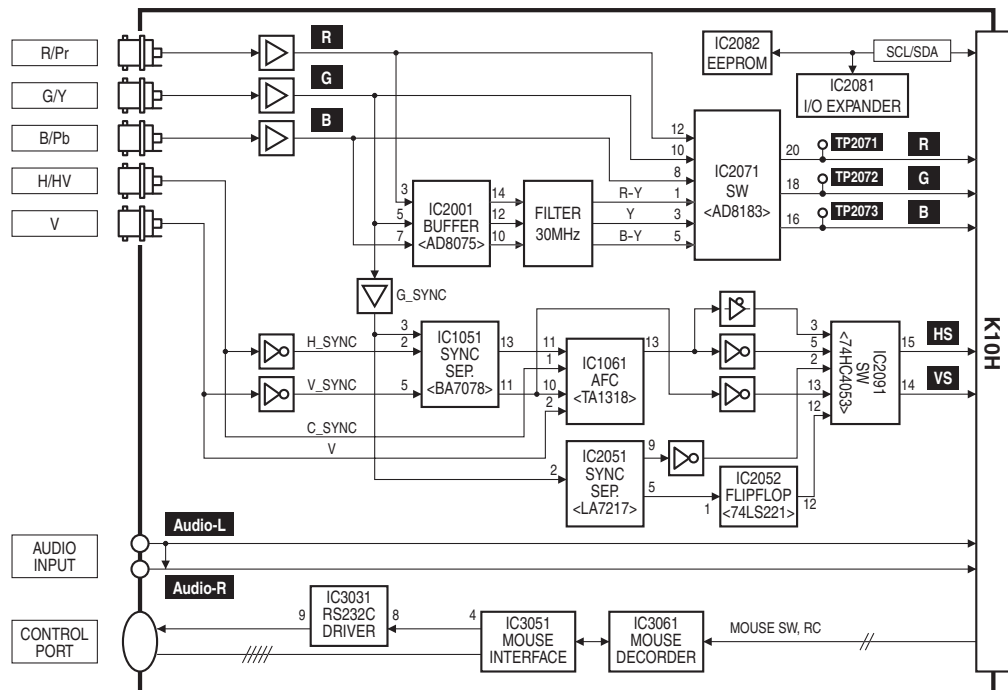
Check the terminal board-DVI.

Check the Vcc voltages.
 S9V (Always)
 9V / 5VB / -5V (Switched)
 Check the test points.



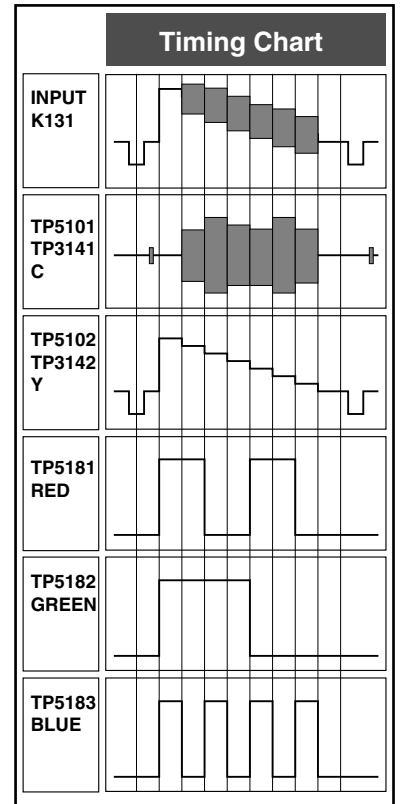
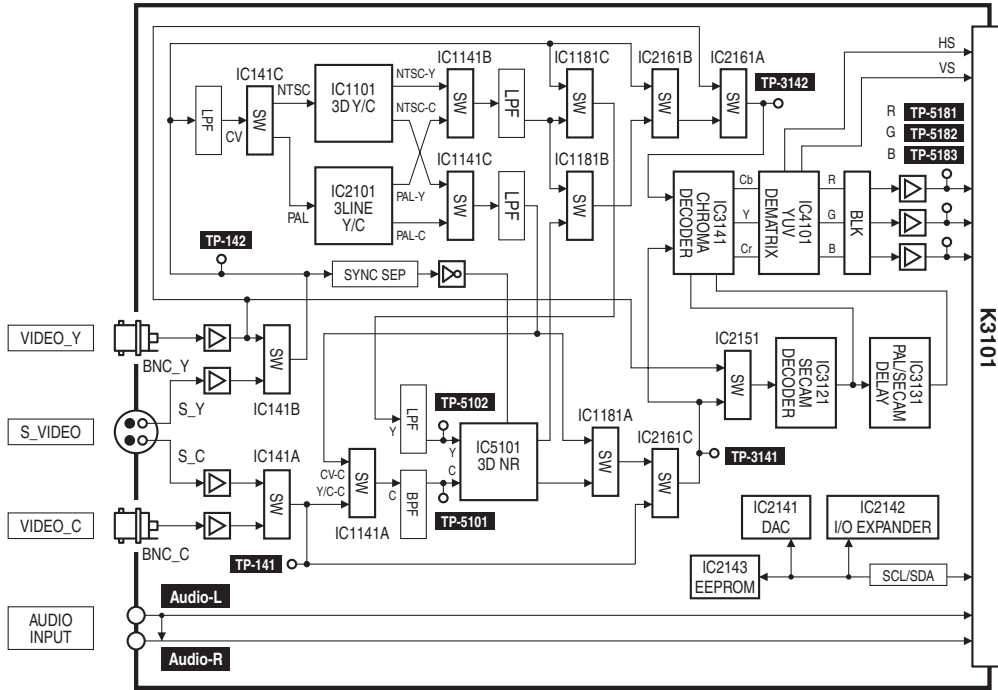
Check the terminal board-COMPONENT.

Check the Vcc voltages.
 S9V (Always)
 9V / 5VB / -5V (Switched)
 Check the test points.



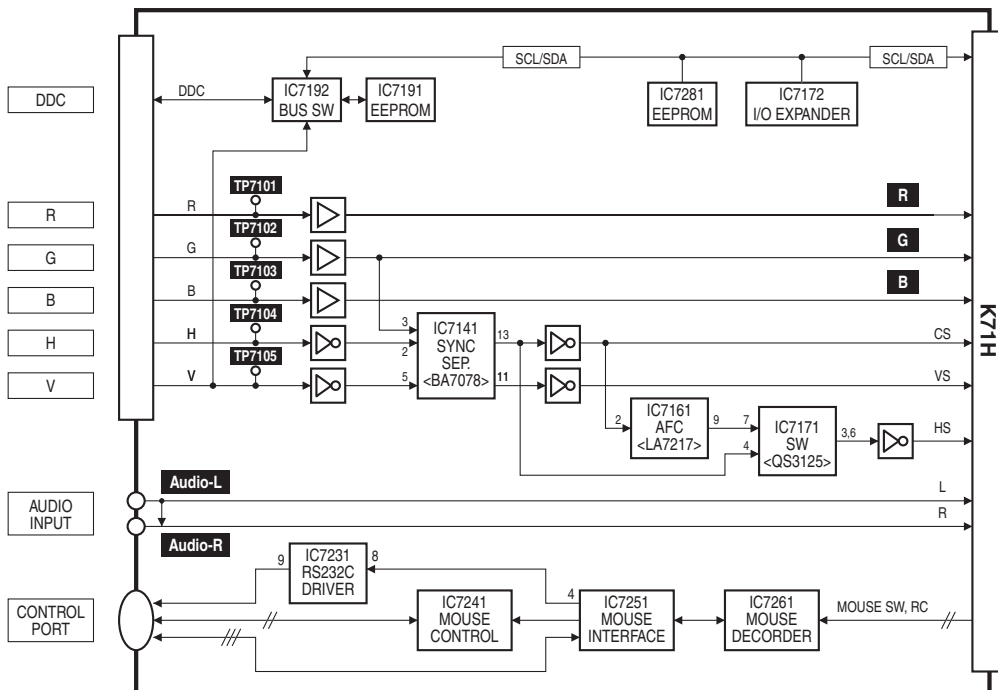
Check the terminal board-AV.

Check the Vcc voltages.
 S9V (Always)
 9V / 5VB / -5V (Switched)
 Check the test points.

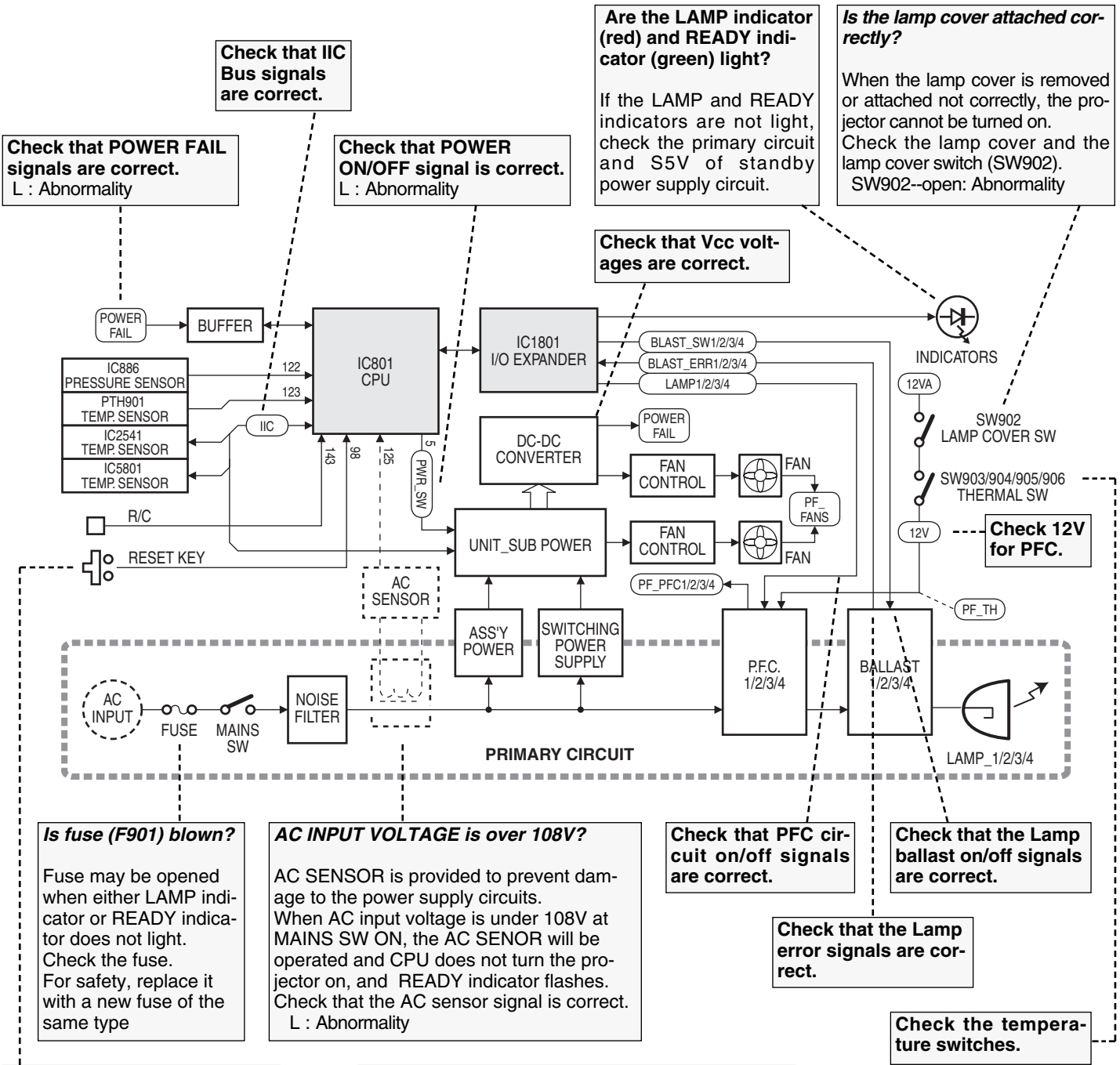


Check the terminal board-DSUB15.

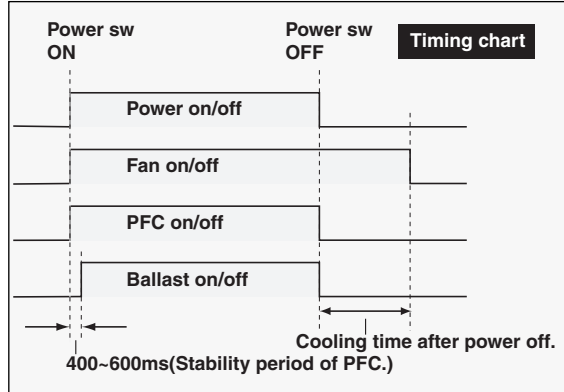
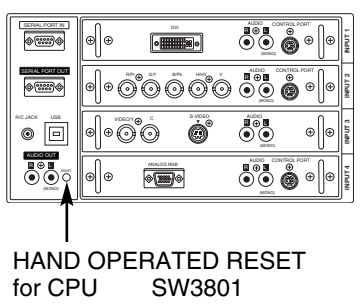
Check the Vcc voltages.
 S9V (Always)
 9V / 5VB / -5V (Switched)
 Check the test points.



● No Power



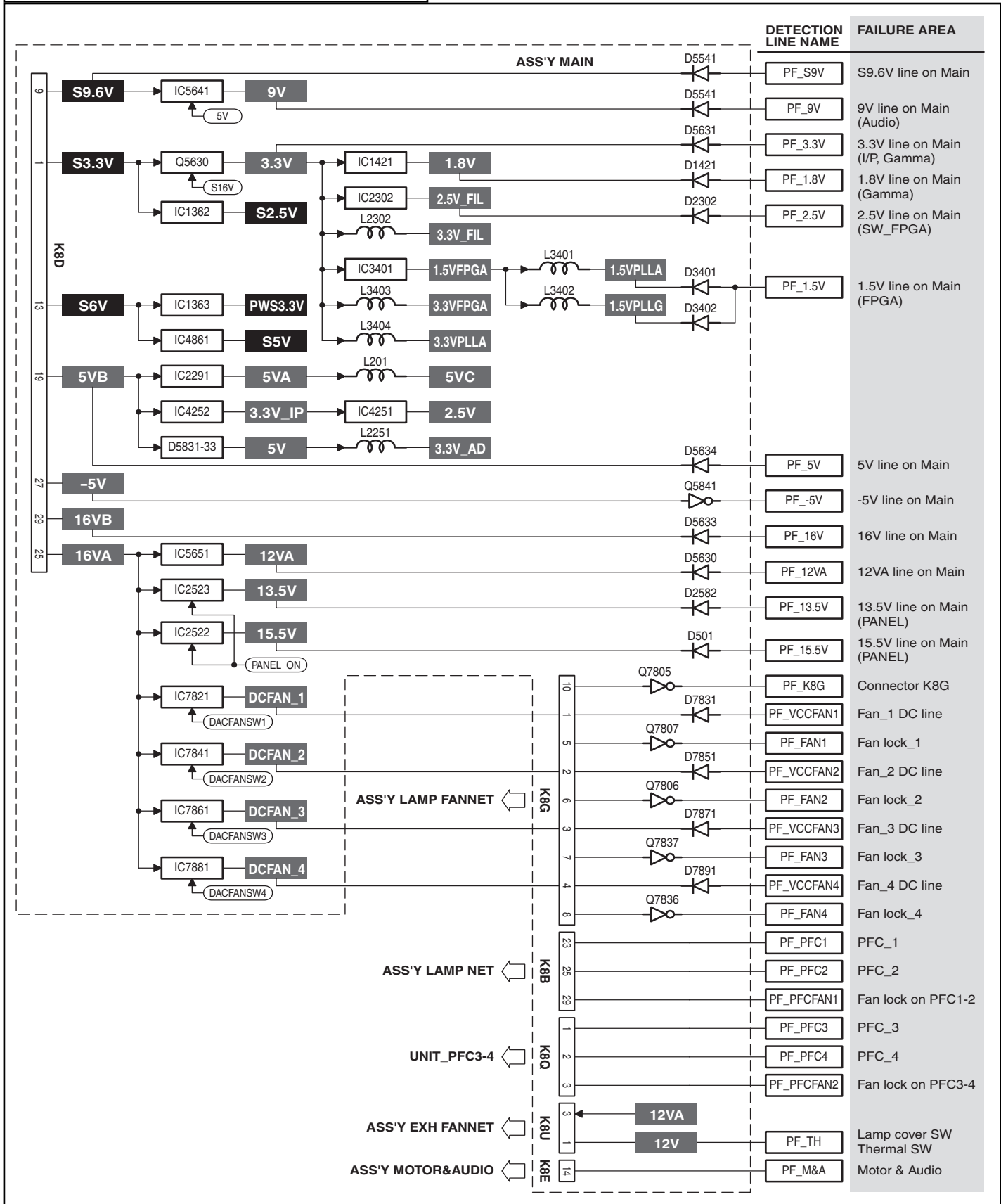
Occasionally, CPU may malfunction and need to be reset.



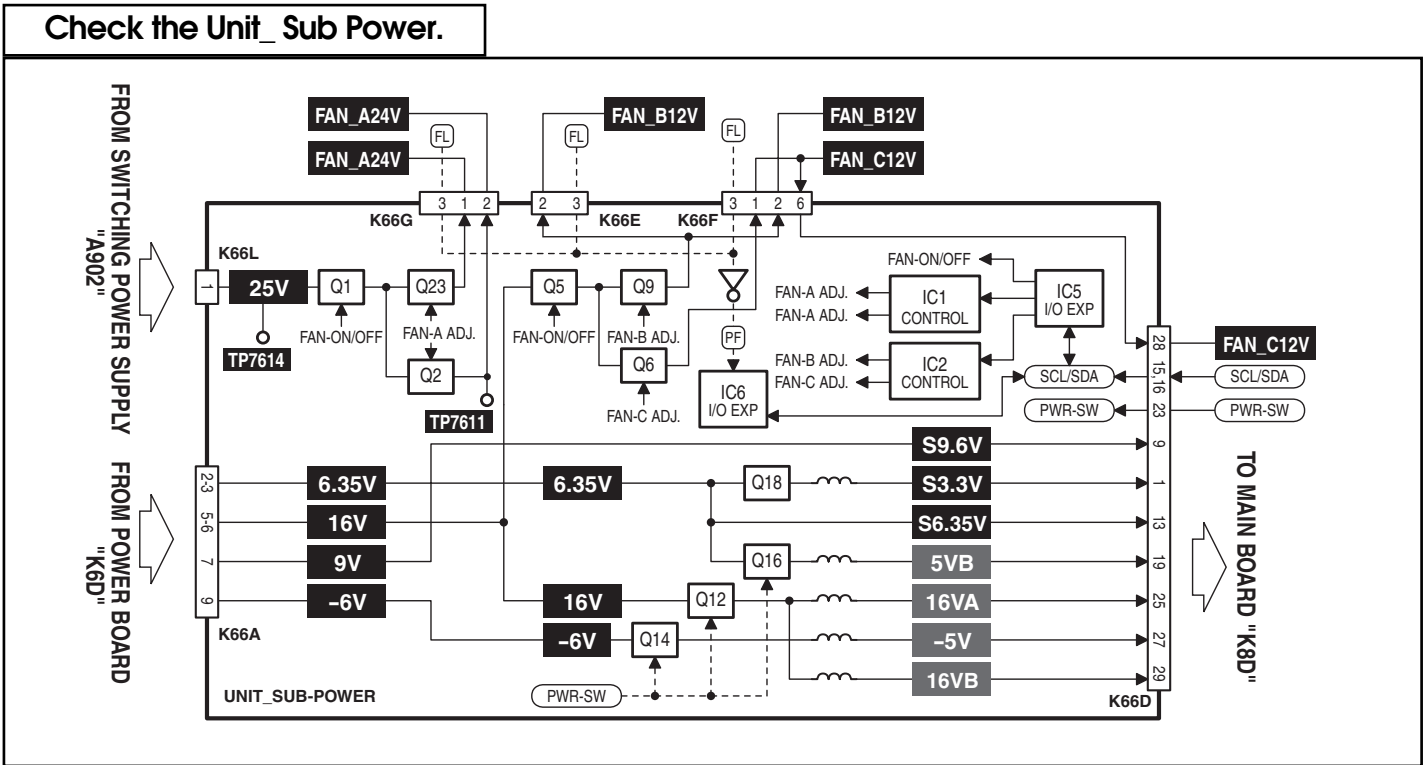
NOTE :
The AC sensor does not exist in some particular models,

● No Power

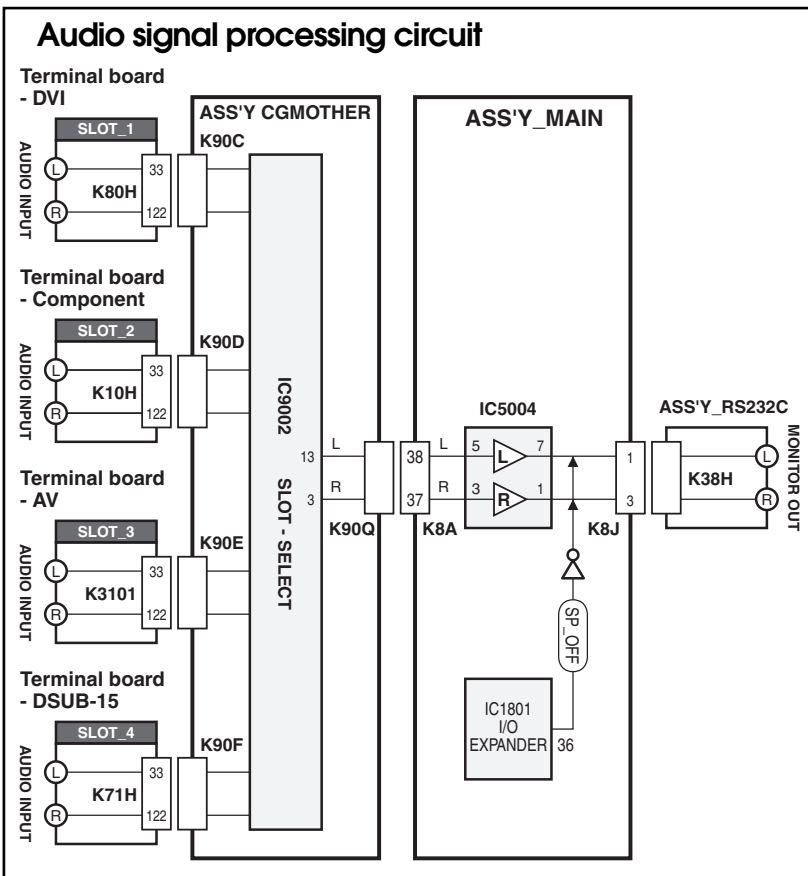
Check the power failure detection tree



● No Power



● No Audio Output



- Check Point -

Terminal board DVI, Component, AV, and DSUB-15.

1. Check that the R and L signals are correct. Pins 122(R) and 33(L). K80H, K10H, K3101, K71H.

Assembly CG-Mother

1. Check that the R and L signals are correct. Pins 3(R) and 13(L) of IC9002.

Assembly Main

1. Check that the Vcc-voltages are correct.
2. Check that the L and R input signals are correct. Pins 5(L) and 3(R) of IC5004
3. Check that the IC5004 output signals are correct. Pins 7(L) and 1(R) of IC5004.

Assembly RS232C

1. Check that the L and R output signals are correct.

● Temperature Abnormality

NOTE : Temperature monitor operation

The temperature monitor system is provided to prevent damage of optical components (the LCD panel and polarization film etc.) inside a projector from overheat. Two protection systems are provided. Each system operation as follows :

----- The temperature monitor -1: -----

■ To control the air-flow of the cooling fans.

The CPU checks the temperature and atmospheric pressure inside a projector. It checks a temperature using temperature sensor-IC5801 and it checks an atmospheric pressure using pressure sensor-IC886. The CPU judges data from sensors and controls the air flow of the cooling fans so the temperature inside the projector is maintained to normal temperature.

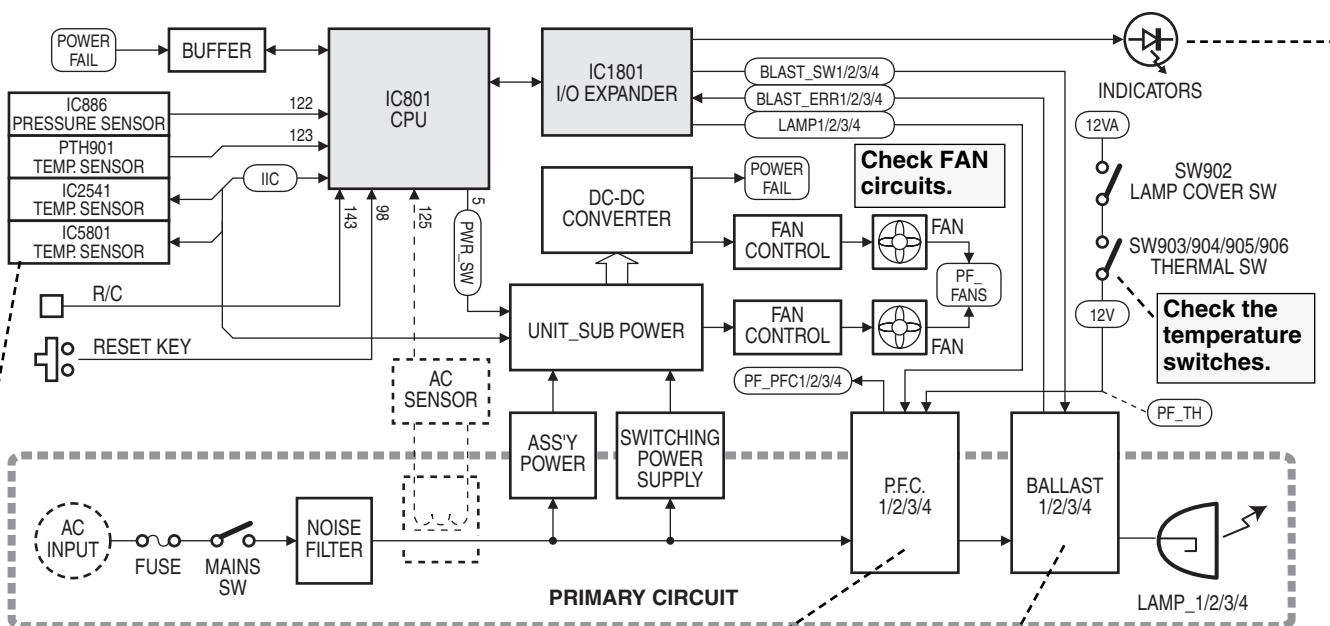
■ To shut down the projector urgent.

The CPU checks temperature of LCD panel periphery(PTH901) and inhalation air(IC5801). If each part temperature reaches to abnormal temperature, the CPU will turn off the projector, and will blink WARNING TEMP. indicator at intervals of 0.5 seconds. Cooling fans operate until temperature returns to normal. Indicator will stop blink, if temperature returns to normal.

----- The temperature monitor -2 : -----

■ Temperature check of lamps :

Temperature switches are arranged near the lamps. Temperature switches will operate, if temperature reaches 110 degrees. When temperature switches become open, they cut off 12V_PFC line, the power failure "PF_TH" signal become Low, and then the CPU will shut down the projector, and both of READY and WARNING TEMP. indicators will start flashing.



NOTE : SENSORS OPERATION

■ The sensor's operation is as follows:

- IC886 : For FAN control
- PTH901 : Abnormal temperature detection
- IC2541 : Inside air temperature monitor
- IC5801 : Abnormal temperature detection and for FAN control

Temperature sensors location can be seen on "protections"(page-7).

The temperature switch is operated?

If the temperature around FET reaches 85 degrees, a PFC circuit will be shut down.

The temperature switch is operated?

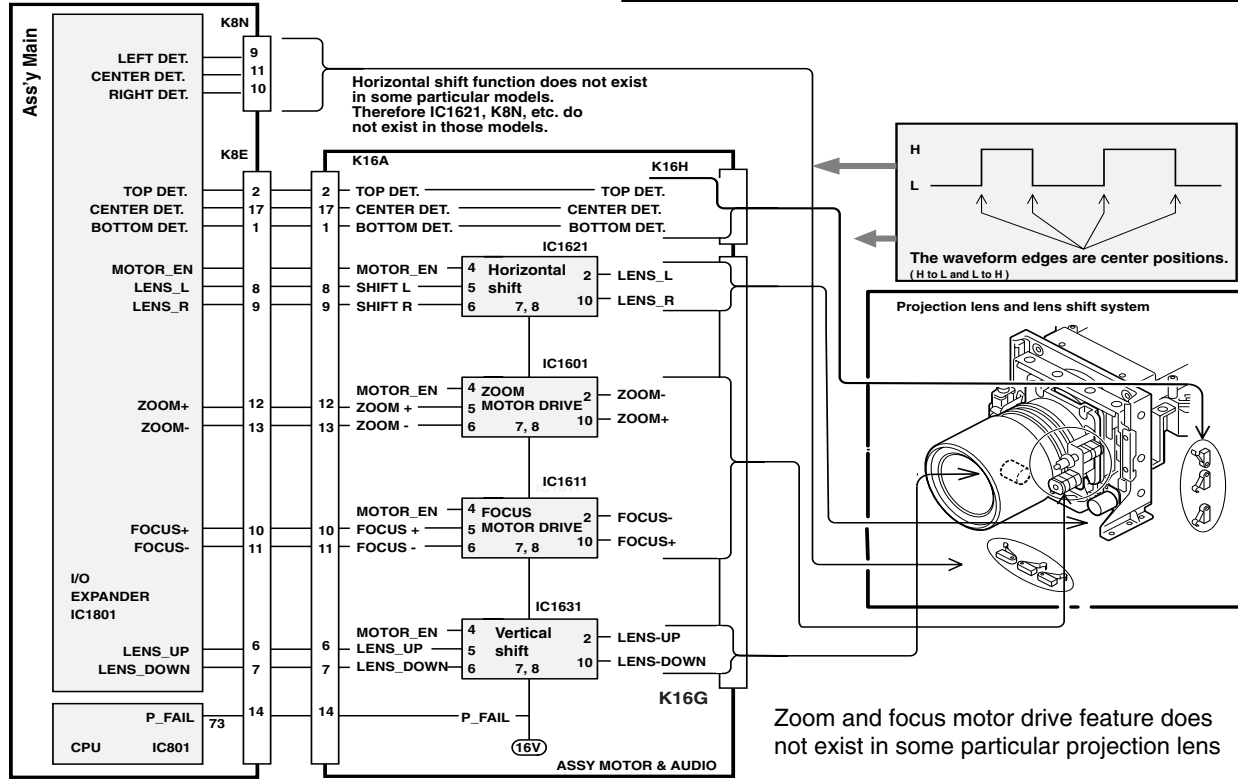
When the temperature around a lamp driver reaches 85 degrees, the lamp ballast will be shut down and a lamp error signal changes from L to H.

WARNING TEMP. indicator (red) blink?

The projector is turned off when the temperature around the LCD panel reaches abnormal temperature. And a WARNING TEMP. indicator blinks.

● Power Lens System Abnormality

Motor-driven lens system. (Zoom, Focus and lens shift.)



Zoom and focus motor drive feature does not exist in some particular projection lens

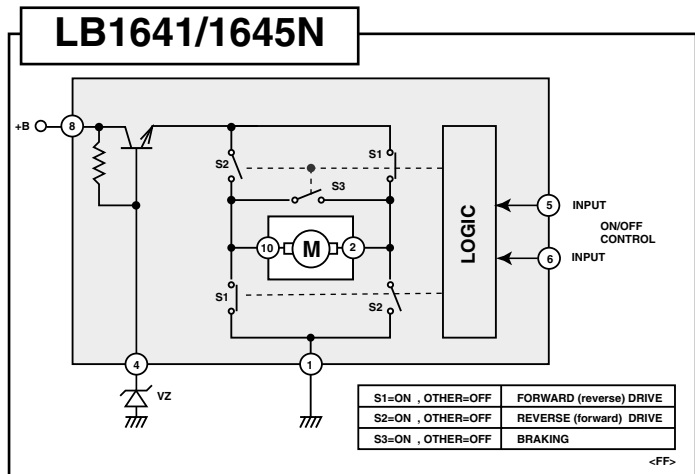
Assembly Main

1. Check that the Vcc-voltages are correct.
2. Check that the POWER FAIL signal is correct.
Pin14 of K8E H: Normal
3. Check that the LENS SHIFT up and down signals are correct.
Pins 6 and 7 of K8E
4. Check that the LENS SHIFT left and right signals are correct.
Pins 8 and 9 of K8E
5. Check that the FOCUS up and down signals are correct.
Pins 10 and 11 of K8E
6. Check that the ZOOM up and down signals are correct.
Pins 12 and 13 of K8E
7. Check that the TOP DET. signal is correct.
Pin 2 of K8E L: TOP
8. Check that the BOTTOM DET. signal is correct.
Pin 1 of K8E L: BOTTOM
9. Check that the CENTER DET. signal is correct.
Pin 17 of K8E Center position=The edge of "H to L" or "L to H."
10. Check that the LEFT DET. signal is correct.
Pin 9 of K8N L: LEFT
11. Check that the RIGHT DET. signal is correct.
Pin 10 of K8N L: RIGHT
12. Check that the CENTER DET. signal is correct.
Pin 11 of K8N Center position=The edge of "H to L" or "L to H."

Assembly Motor audio

1. Check that the Vcc-voltages are correct.
2. Check that the POWER FAIL signal is correct.
Pin14 of K16A. H: Normal
3. Check that the LENS SHIFT up and down signals are correct.
Pins 5 and 6 of IC1631.
4. Check that the LENS SHIFT left and right signals are correct.
Pins 5 and 6 of IC1621.
5. Check that the FOCUS up and down signals are correct.
Pins 5 and 6 of IC1611.
6. Check that the ZOOM up and down signals are correct.
Pins 5 and 6 of IC1601.
7. Check that the LENS SHIFT motor drive signals are correct.
Pins 10 and 2 of IC1631 and IC1621.
8. Check that the FOCUS motor drive signals are correct.
Pins 10 and 2 of IC1611.
9. Check that the ZOOM motor drive signals are correct.
Pins 10 and 2 of IC1601.

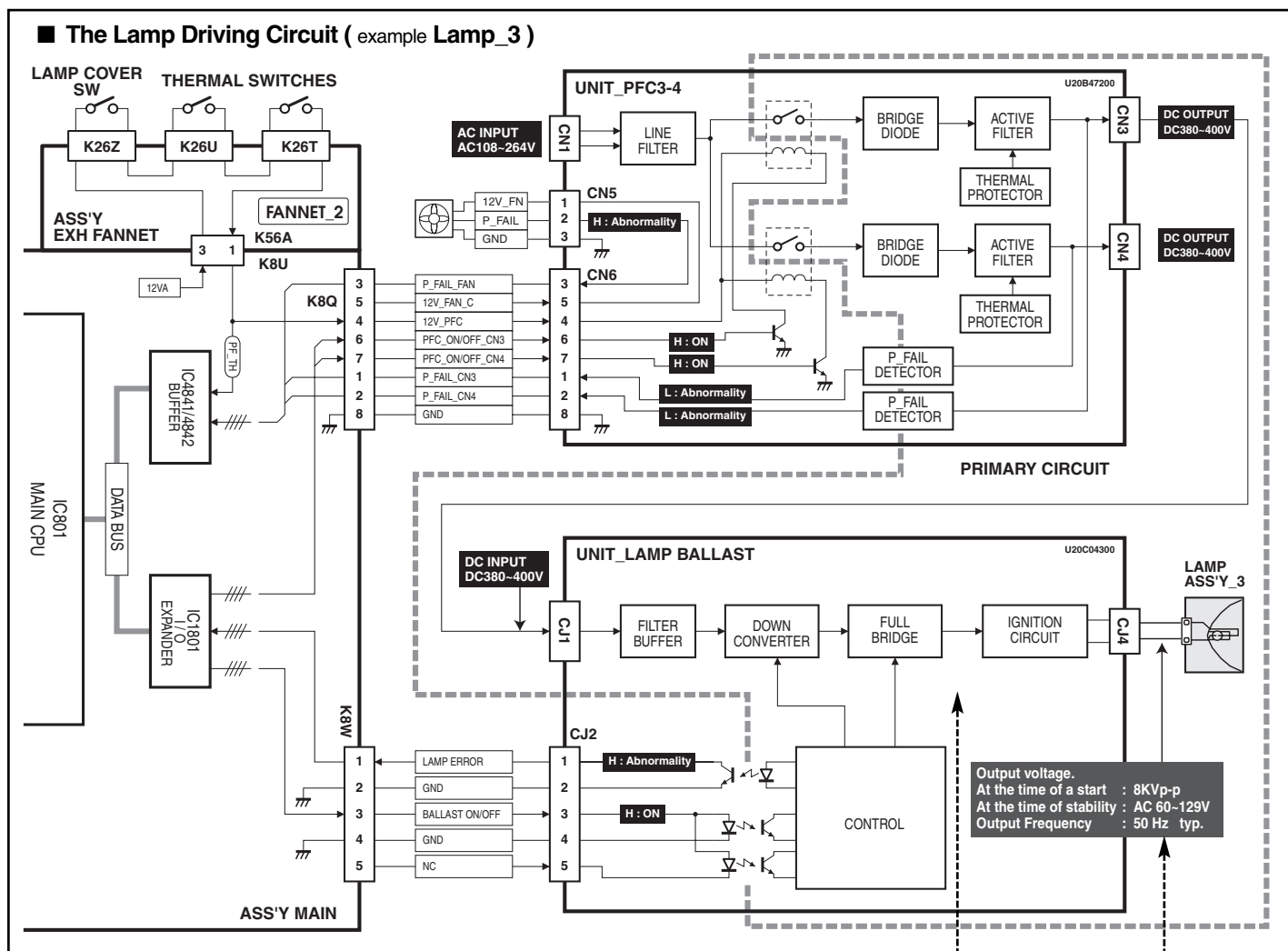
Motor drive IC block diagram



Truth table IC1601/IC1611/IC1621/IC1631

Input		Output		Operation
5	6	2	10	
H	L	H	L	Forward(reverse) drive
L	H	L	H	Reverse(forward) drive
L	L	L	L	Braking

● Lamp Abnormality



NOTE :

- At first, the high-voltage pulse (about 8KVp-p) is generated between the lamp electrodes to generate glow discharge. Then dielectric breakdown occurs, finally glow discharge comes to arc discharge.
- After projector turned on, 30 seconds are required until the light output stabilizes.
- After the projector is turned off, the cooling fans operate for 90 seconds to cool down the lamp and reduce gas pressure inside the lamp.

- When the temperature around a lamp driver reaches 85 degrees, unit lamp ballast will be shut down and a lamp monitor signal changes from L to H .

- When the output voltage reaches abnormal voltage (exceeds AC 130V), unit lamp ballast will be shut down and a lamp monitor signal changes from L to H .

NOTE :

- **Lamp Cover Switch**
Make sure that the lamp cover is mounted correctly. If not or the lamp cover removed, the lamp does not light for safety. Check the boss of the lamp cover and the lamp cover switch (SW902).
SW902 -- open : Abnormality
- **Temperature Switches**
When the internal temperature near the lamps reaches near 110°C, the temperature switches open and 12V_PFC is not supplied to PFC-Unit.
SW903 - SW906 -- open : Abnormality
- **READY (green) LED indicates lamp monitor operation**
LED off: Lamp is being cooled.
LED on: Lamp is being lit or already cooled down.

CPU : --- Lamp monitor operation ---

- The CPU performs an input check by the lamp monitor pin.
- When the "H" signal continues 1 second or more continuously, the CPU judges the state to be abnormal.
- When it has detected abnormal condition, the CPU turns off a projector compulsorily. And the CPU sets up the cooling time for 90 seconds.
- The projector cannot be turned on during a cooling time.

■ Optical Adjustments

● Adjustments after Parts Replacement (Optical Parts)

● : Adjustment necessary ○ : Check necessary

	Disassembly / Replaced Parts											
	LCD/ Prism Ass'y	LCD panel	Integrator Lens-in	Integrator Lens-out &PBS	Polarized glass			Optical filter (HCP)			Condenser lens	Relay Lens
					R	G	B	R	G	B		
Optical Adjustments												
Contrast adjustment												
R-Contrast adjustment(Polarized glass)	●	●			●			●				
G-Contrast adjustment(Polarized glass)	●	●				●			●			
B-Contrast adjustment(Polarized glass)	●	●					●			●		
Integrator lens in adjustment-1	○	○	●	●								
Integrator lens in adjustment-2	○	○	●	●						○	○	
Integrator lens out adjustment	○	○	●	●						○	○	
Condenser lens adjustment	○	○	○	○						●	○	
Relay lens adjustment	○	○	○	○						○	●	
Prism PBS adjustment	○	○	●	●						○	○	
Focus of LCD panel adjustment	●	●										
Convergence adjustment	○	●										
Electrical Adjustments												
Common center adjustment	●	●										
Panel luminance adjustment	●	●										
White balance adjustment	○	○										
Color shading correction	○	○										
Panel ghost timer reset (*)	●	●										

(*): Panel Ghost Timer Reset

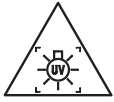
Be sure to reset the Panel Ghost Timer after the LCD panels or the LCD panel/prism ass'y are replaced to new one. When the panel ghost timer is reset, the visible ghost position will be optimized.

Input mode and signal

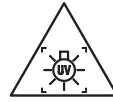
Not designated

1. Enter the service mode.
2. Set the each data value of the replaced panel to "10", the panel ghost timer is reset.

Group	No.	Replaced Panel
972 -	1	Red panel
972 -	3	Green panel
972 -	5	Blue panel



WARNING : USE UV RADIATION EYE AND SKIN PROTECTION DURING SERVICING



CAUTION: To prevent suffer of UV radiation, those adjustments must be completed within 25 minutes.

Adjustment optical components location

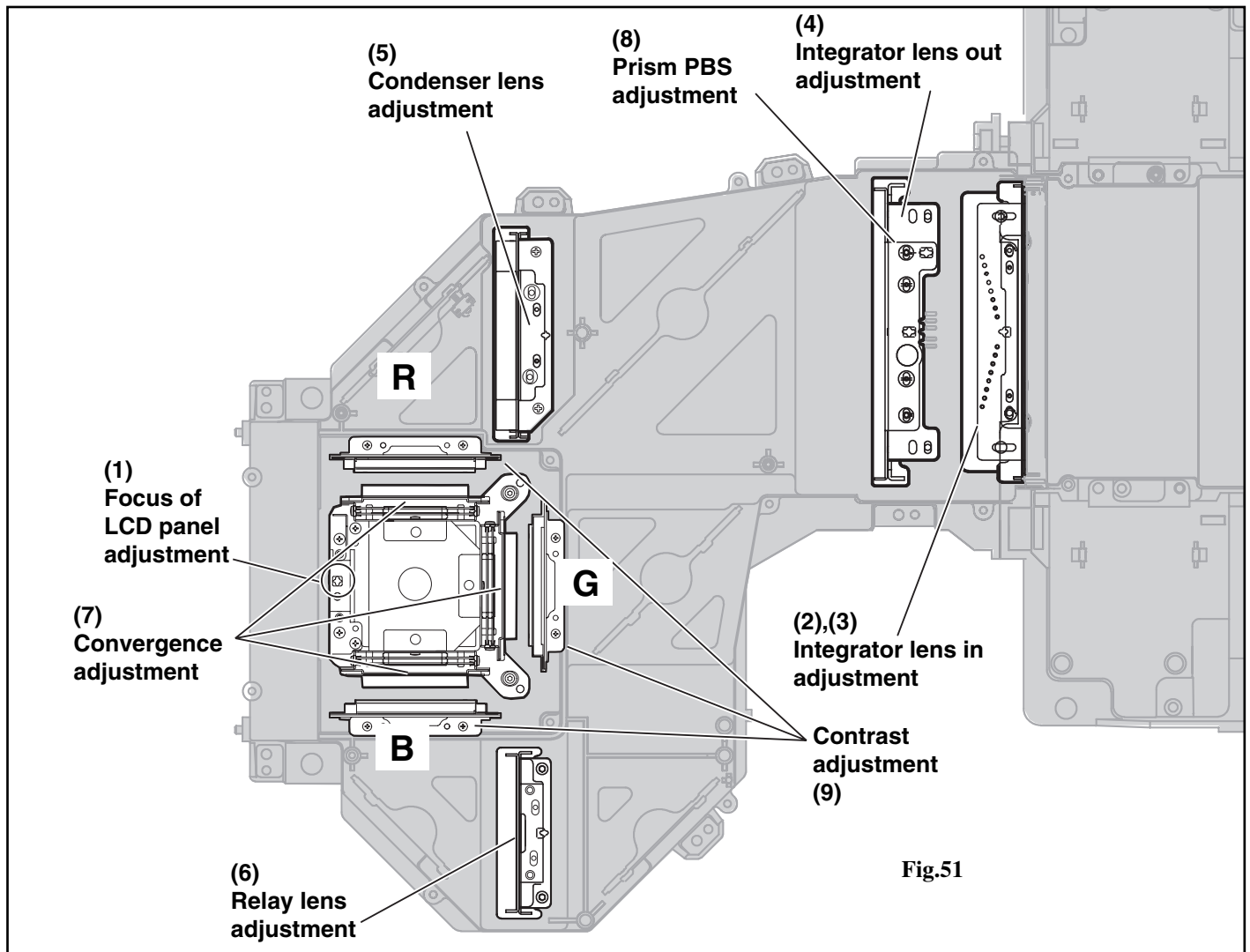


Fig.51

Optical components adjustments procedure

When adjusting optical component, adjust each adjustment item in numerical order. Incorrect adjustment steps may produce improper adjustment. The items adjusted correctly can be omitted from the steps.

- (1) Focus of LCD panel adjustment.
- (2) Integrator-lens-in 1 adjustment. (turn)
- (3) Integrator-lens-in 2 adjustment. (up / down)
- (4) Integrator-lens-out adjustment. (left / right)
- (5) Condenser-lens adjustment.
- (6) Relay-lens adjustment.
- (7) Convergence adjustment.
- (8) Prism PBS adjustment.
- (9) Contrast adjustment.(Polarized glass unit)

■ Before Adjustment

1. Each adjustment requires ball allen wrenches and slot screwdrivers.
2. Set the motorized lens shift to the center position (horizontal and vertical) with Lens Shift Button.
Lens shift arrow on screen turns red at center of lens shift.
3. When adjusting optical components adjustments, using Standard Zoom Lens (LNS-S03) is recommended.
4. Display adjustment grid pattern in service mode. For setting service mode, refer to "Service adjustment menu operation".
 - a) Set the projector to "service mode".
 - b) Select Group No. 998-0.
 - c) Press Point LEFT/RIGHT buttons, and each color grid pattern is displayed.
 - d) Press Point LEFT/RIGHT buttons several times to quit the grid pattern mode. Press Power ON-OFF button to quit service mode.
5. When adjusting the Integrator Lenses and Prism PBS, remove the flexible cables of the LCD panels from the Main board.
6. When adjusting lenses of the Relay and Condenser, follow the following procedure.
 - a) Remove the connectors K8E, K8N, K8P and three flexible cables of the LCD panels from the Main.
(Do not touch the electrode of flexible cables.)
 - b) As shown in a figure below, set the Main board to the upright position.

CAUTION: Do not short Main board with the chassis. Protect Main board with necessary isolation materials from shorting.

To enter the "service mode."

To enter the service mode, press the "MENU" and "IMAGE" buttons on the projector simultaneously and hold for 3 seconds.

Refer to Service adjustment menu operation.

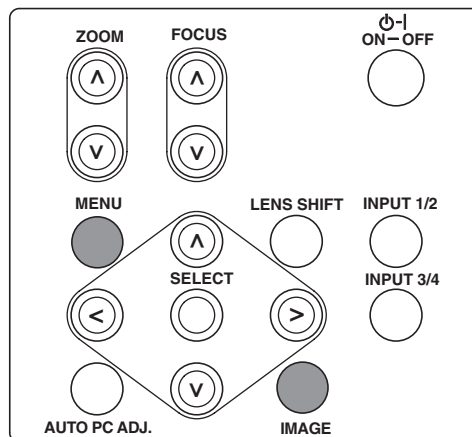
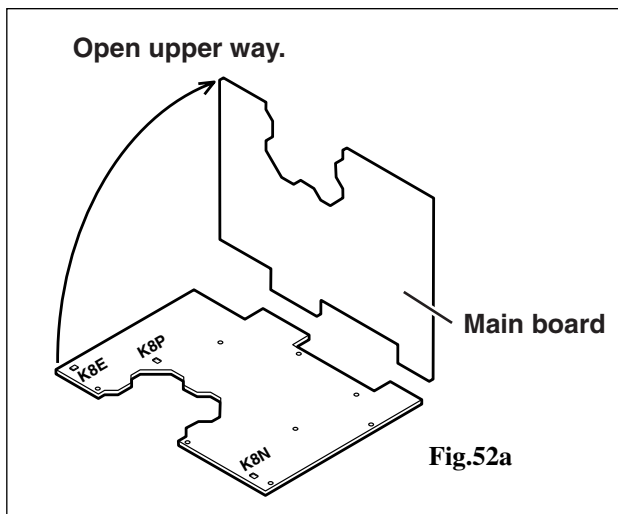


Fig.52b

CAUTION: When adjusting the optical components, do not insert any materials into the optical block for blocking the light. Or the optical block may be damaged by overheating or scratching the parts.

(1) Focus Adjustment of LCD Panel

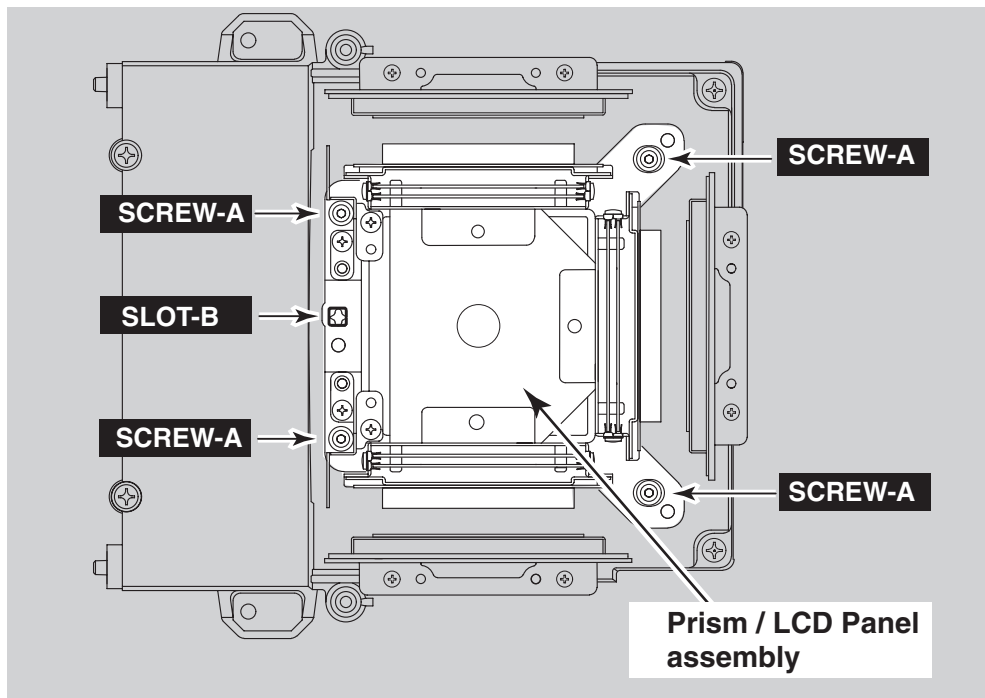


Fig.53a

Before Adjustment :

1. Turn on a projector.
2. Set the projector to "service mode" and project a green grid pattern on a screen. Adjust green grid pattern to sharp focus by pressing Focus (\wedge)(\vee) buttons on the projector or remote control unit.
3. Press Zoom(\wedge)(\vee) buttons on the projector or remote control unit. When focus is changed at minimum Zoom and maximum Zoom, following adjustment is necessary.

Adjustment :

1. Loosen 4 screws-A using ball allen wrench.
2. Set image size to the minimum, pressing Zoom (\vee) button on the projector or remote control unit.
3. Adjust center part of green grid pattern to sharp focus, pressing Focus (\wedge)(\vee) buttons on the projector or remote control unit.
4. Set image size to the maximum, pressing Zoom (\wedge) button on the projector or remote control unit.
5. Insert a slot screwdriver into slot-B, turn it and adjust center part and four corners on the green grid pattern to sharp focus.
6. Repeat steps 2 to 5. Until focus does not shift by the ZOOM position between TELE and WIDE.
7. Tighten 4 screws-A to fix the assembly LCD panel / prism using ball allen wrench.

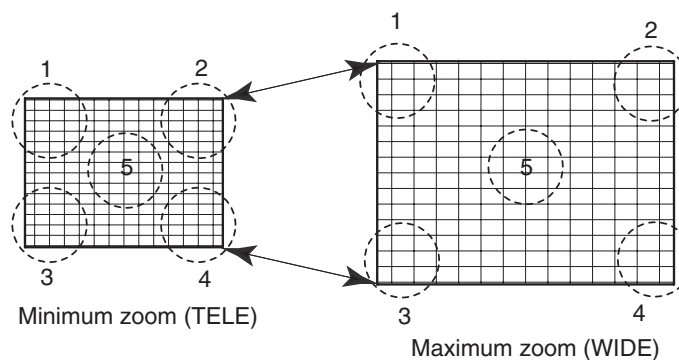


Fig.53b

(2) Integrator-lens-in adjustment-1

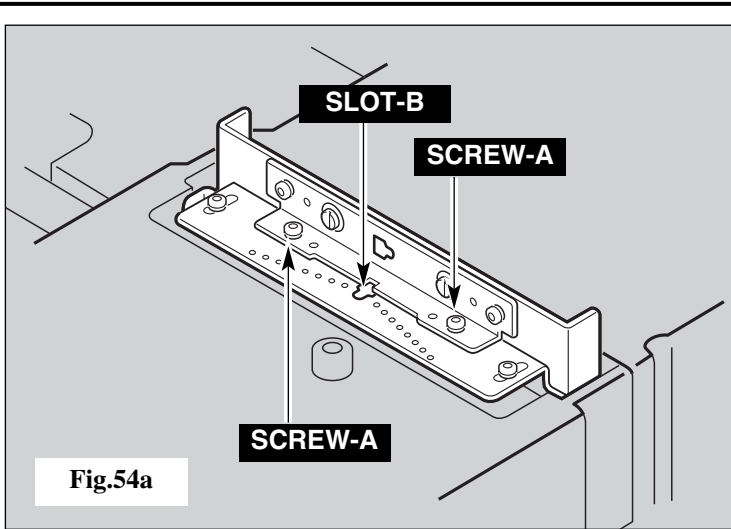


Fig.54a

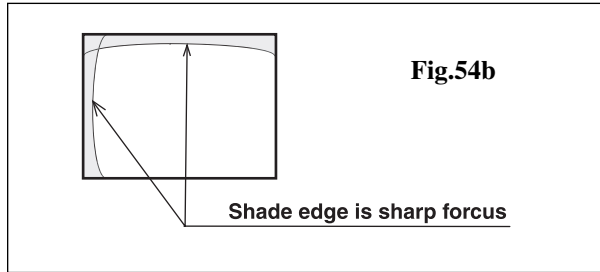


Fig.54b

Shade edge is sharp focus

Before Adjustment :

1. Remove the flexible cables of LCD panels from the Main board. And turn on the projector.
2. Shift the adjustment position of Integrator-lens-out temporarily until shade appears the right or the left on the screen.
Shift the adjustment position of Integrator-lens-in temporarily until shade appears the top or the bottom on the screen.

Adjustment :

1. loosen 2 screws A.
2. Insert slot screwdriver into slot B, turn it until the shade edge is sharp focus.
- 3 Tighten the 2 screws A to fix the integrator-lens-in unit.

After the Integrator-lens-in-1 adjustment, readjust the Integrator lens in 2, and Integrator lens out. Refer to "Integrator lens out adjustment" and "Integrator lens in 2" of next step for the adjustment method.

(3) Integrator-lens-in adjustment-2

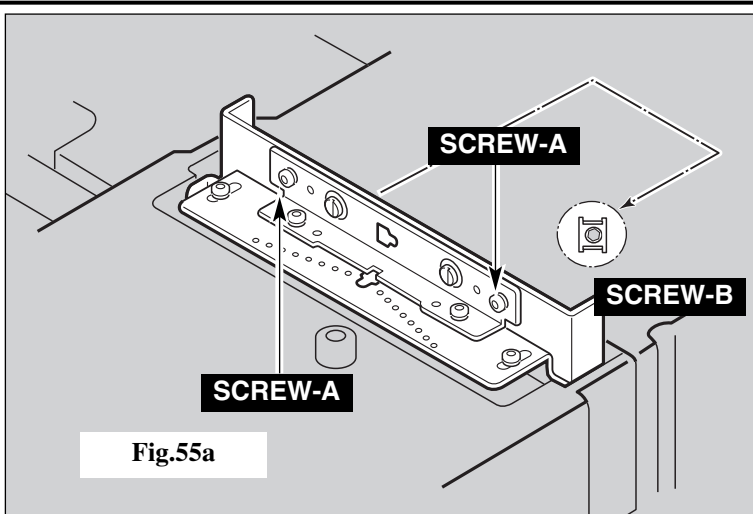


Fig.55a

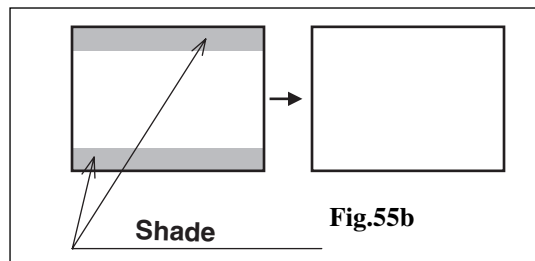


Fig.55b

Shade

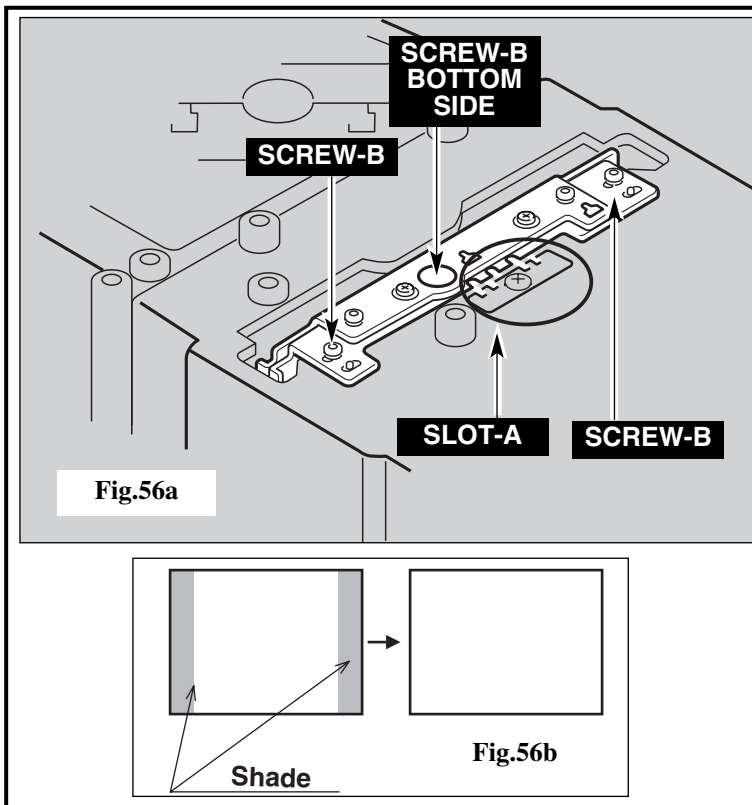
Before Adjustment :

1. Remove the flexible cables of LCD panels from the Main board. And turn on the projector.
2. If the shade appears on the top or bottom of the screen, adjust in the following procedure.

Adjustment :

1. Loosen 2 screws-A.
2. Insert a ball allen wrench into screw-B, turn it and erase shade.
3. Tighten the 2 screws A to fix the integrator lens-in unit.

(4) Integrator-lens-out adjustment



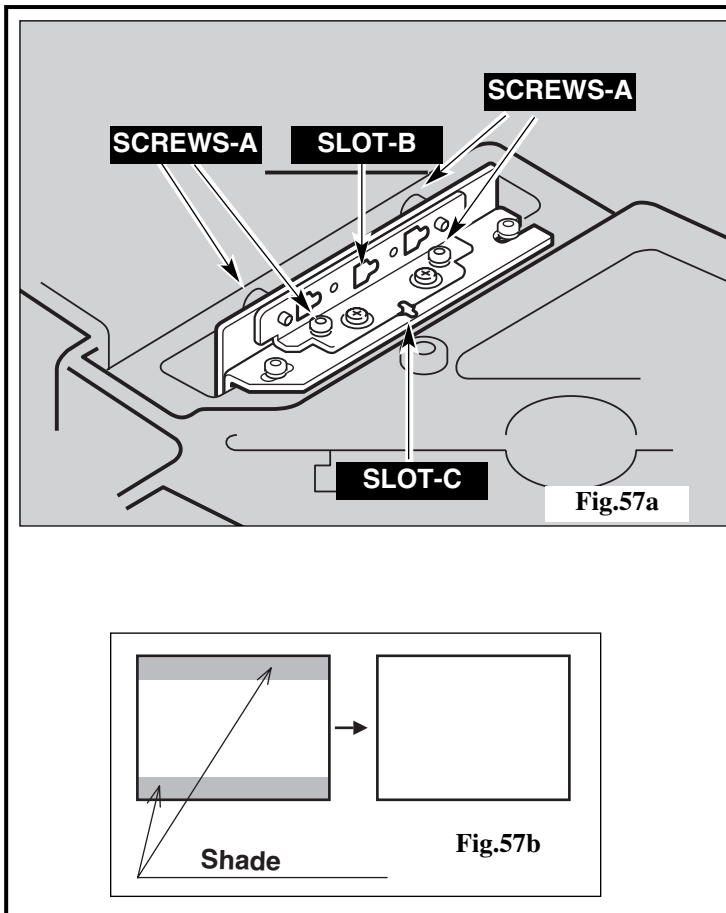
Before Adjustment :

1. Remove the flexible cables of LCD panels from the Main board. And turn on the projector.
2. If the shade appears on the left or right of the screen, adjust in the following procedure.

Adjustment :

1. Loosen 3 screws-B.
2. Insert a slot screwdriver into slot-A, turn it and erase shade.
3. Tighten the 3 screws B to fix the integrator lens-out unit.

(5) Condenser-lens adjustment



Before Adjustment :

1. Remove the flexible cables of LCD panels from the Main board. And turn on the projector.
2. If the shade appears on the screen, adjust in the following procedure.

Adjustment :

1. Set the assembly-Main to the upright position.
2. Loosen 4 screws-A.
3. If it appears on the top or bottom.----> Use slot-B.
If it appears on the left or right. -----> Use slot-C.
-- Insert slot screwdriver into each slot, turn it and erase shade. --
4. Tighten the 4 screws-A to fix the condenser-lens unit.

(6) Relay-lens adjustment

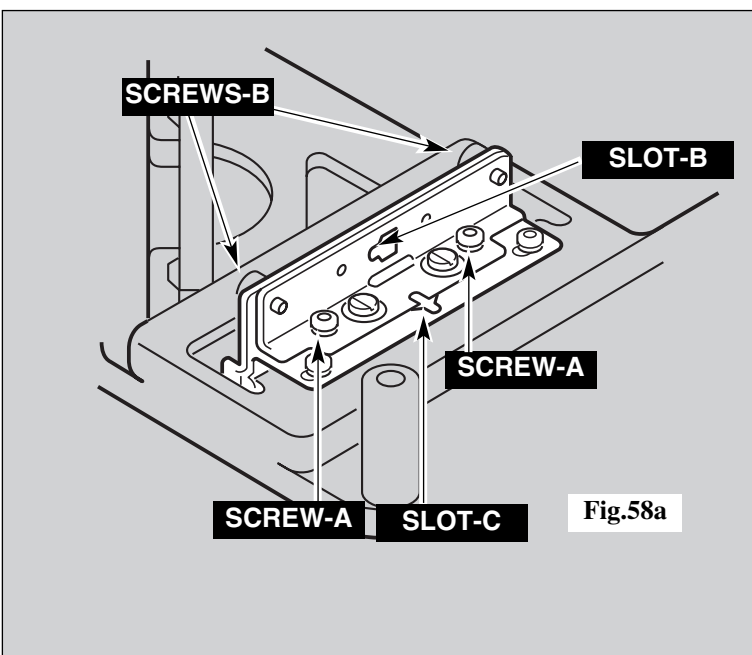


Fig.58a

Before Adjustment :

1. Remove the flexible cables of LCD panels from the Main board. And turn on the projector.
2. If the shade appears on the screen, adjust in the following procedure.

Adjustment :

1. Set the Main board to the upright position.
2. Loosen 4 screws-A.
3. If it appears on the top or bottom.----> Use slot-B.
If it appears on the left or right. ----> Use slot-C.
-- Insert slot screwdriver into each slot, turn it and erase shade. --
4. Tighten the 4 screws-A to fix the Relay-lens unit.

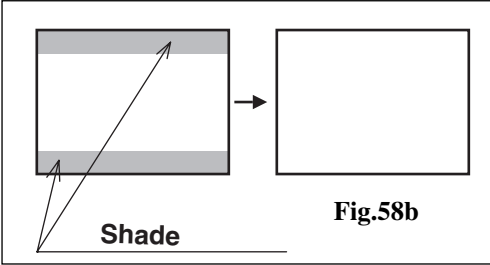


Fig.58b

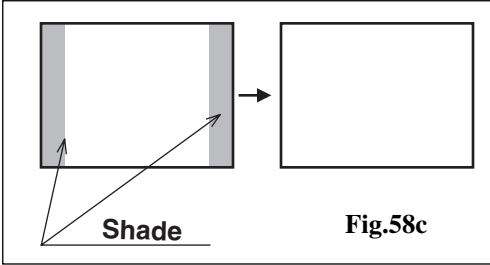


Fig.58c

(7) Convergence adjustment

When adjusting convergence of LCD panels, Convergence Adjustment Tool is needed.

(This Tool can be ordered as a service part. Part No. shown below.)

Mount Adjustment Tool on the LCD panel and adjust each panel convergence.

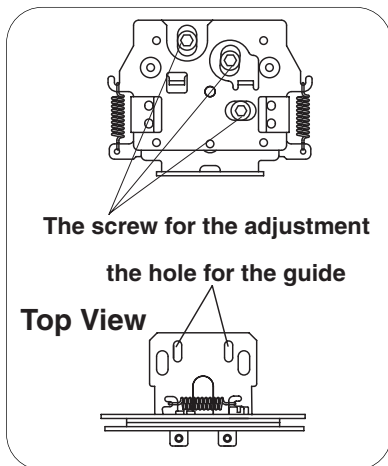


Fig. 59a

Convergence Adjustment Tool
(part No. : 610 304 8208)

Screw Setting

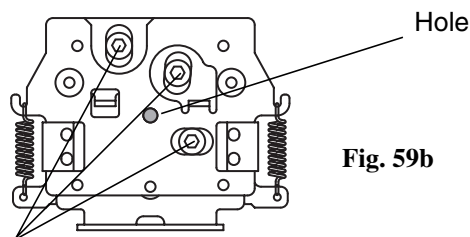


Fig. 59b

Adjust each screw for Hole can be seen clearly through the hole.

Convergence Adjustment Tool can be ordered.
Give the following information to the dealer.
Name ; Assembly CG Adjust LCD - MT8A
Service Parts No. 610 304 8208

■ CONVERGENCE ADJUSTMENT TOOL INSTALLATION AND REMOVAL

Note; Before mounting the Adjustment Tool, set adjustment screws of Adjustment Tool in center of the adjustment range. Refer to Screw Setting. (Fig.59b)

1. Loosen 2screws-A of Prism/LCD panel unit. See Fig.60c.

CAUTION: When loosening the screws-A, do not touch the other mechanical part or give it shock.

2. Fully loosen 2screws-B on the Adjustment Tool. See Fig.60a, 60b.

3. Fully slide the Adjustment Tool part-A into the LCD Panel Bracket hole.

4. Mount Adjustment Tool on the Prism/LCD panel unit with screws-C attached with Adjustment Tool along the guide on top of Prism Ass'y. See Fig.60d (next page)

CAUTION: Do not use other kind of screws for mounting, otherwise Prism/LCD panel unit may be damaged.

5. Tighten screws-B and hold the LCD Panel Bracket. See Fig.60a, 60b.

Loosen 2 Screws-B before installation.

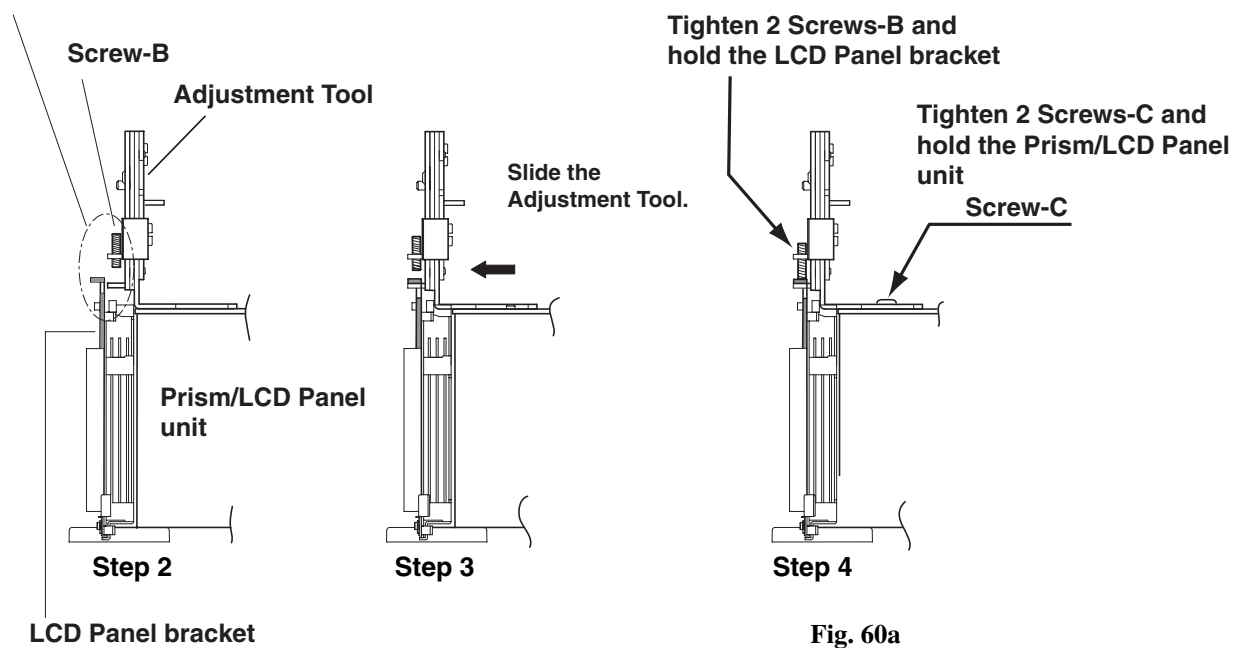


Fig. 60a

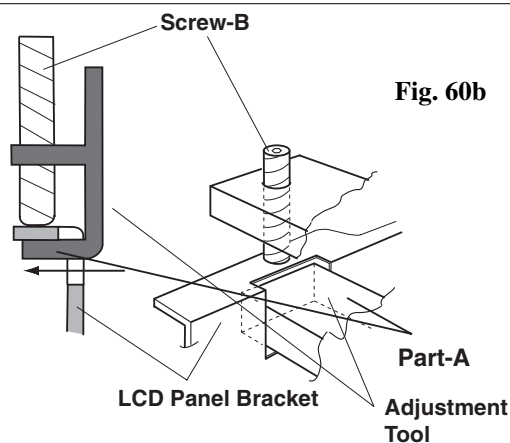


Fig. 60b

Insert Adjustment Tool Leg (2 Legs) into LCD Panel Bracket holes, and tighten screws-B and hold LCD Panel Bracket with Adjustment Tool.

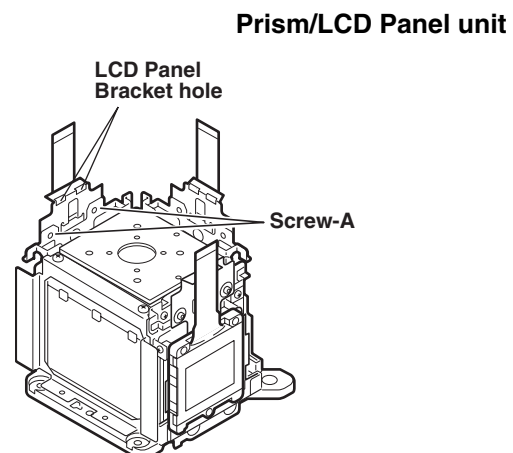
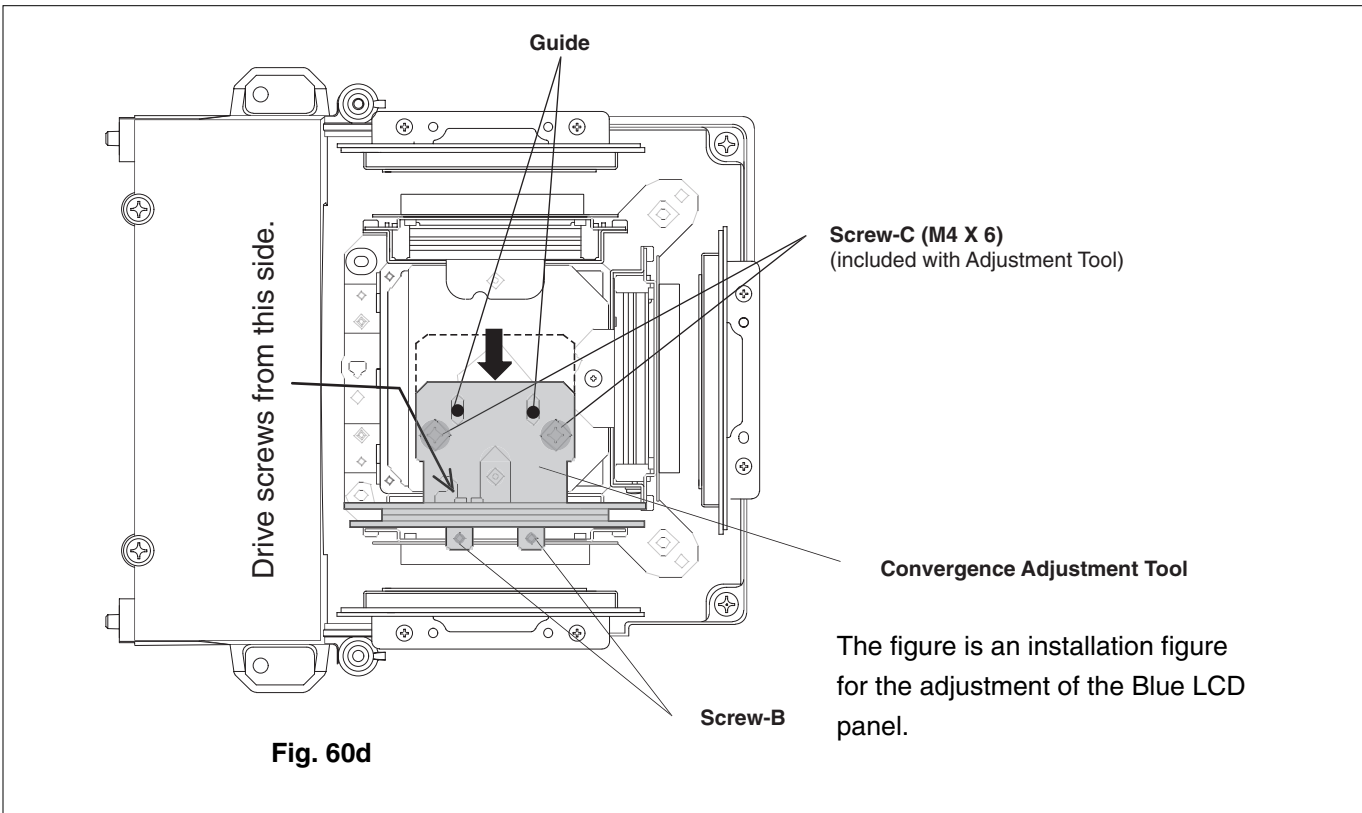


Fig. 60c

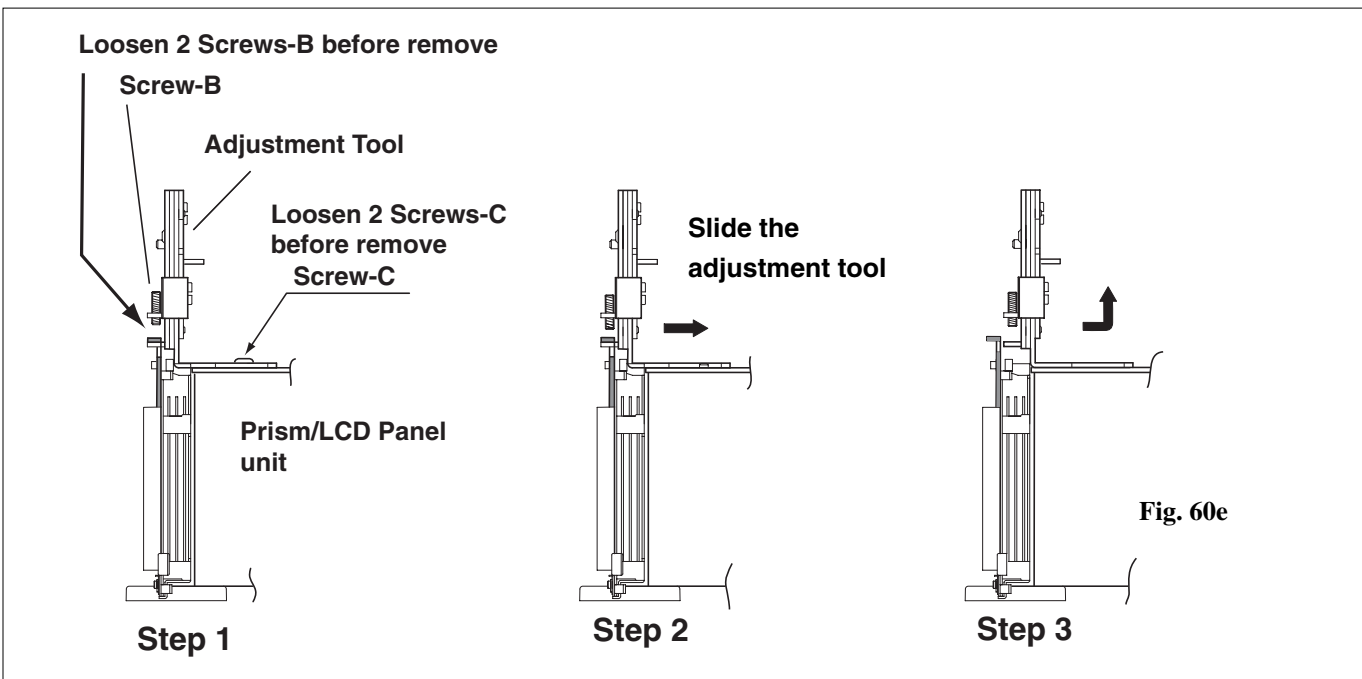


TO REMOVE ADJUSTMENT TOOL

After completing the adjustment, remove the Adjustment Tool as follows.

1. Loosen 2 screws-B and release LCD Panel Bracket.
Remove 2 screws-C, then remove Adjustment Tool.
2. Slide the Adjustment Tool, and release from the LCD Panel Bracket.
3. Remove the Adjustment Tool upward.

See Fig.60d,60e



■ Convergence adjustment

For convergence adjustment, use Green as the reference standard. Align Red and Blue with Green by adjusting the position and angle of the Red and Blue LCD panel. Screws X, Y and Z (Fig.61) are for convergence adjustment. When adjusting the Green reference LCD panel, both on Red and Blue LCD panel should be adjusted with Green LCD panel.

[Before adjustment]

Make sure each Red, Green and Blue LCD panel unit has been correctly installed, and that all focus adjustments have been completed before performing convergence adjustments.



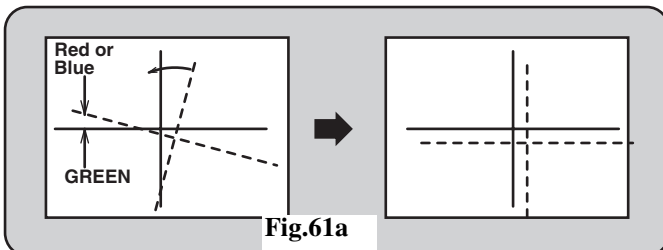
Caution

Do not insert the object into the optical block for blocking the light, otherwise, optical parts may be damaged.

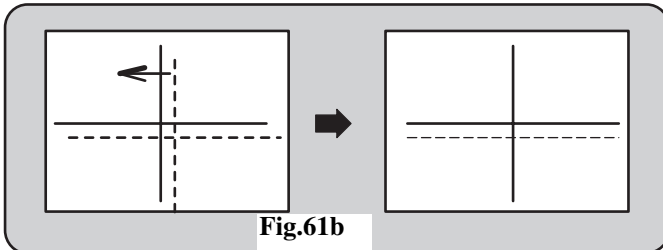
Line Movement and Screw Turning

1. Adjustment screw "Z" to turns the line.
 2. Adjustment screw "X" to moves the line right and left.
 3. Adjustment screw "Y" to moves the line up and down.
- (Fig.61, 61a, 61b, 61c)

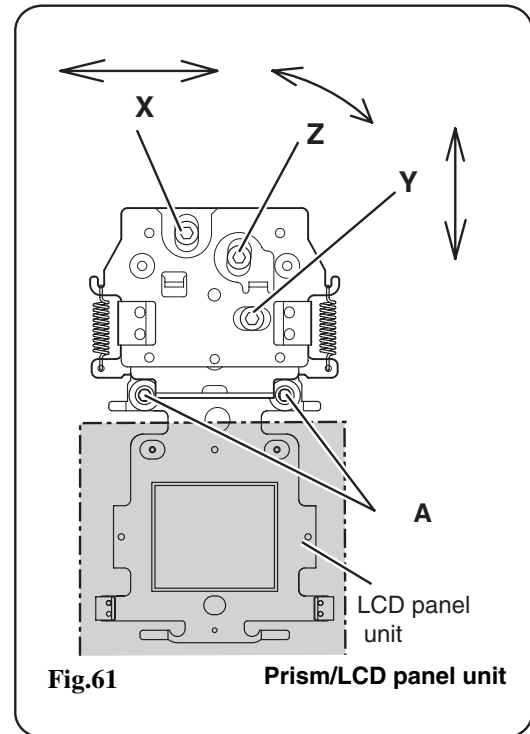
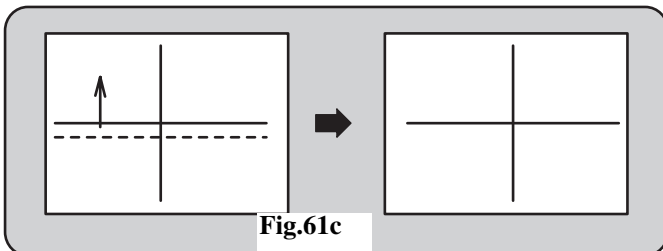
Screw Z



Screw X



Screw Y



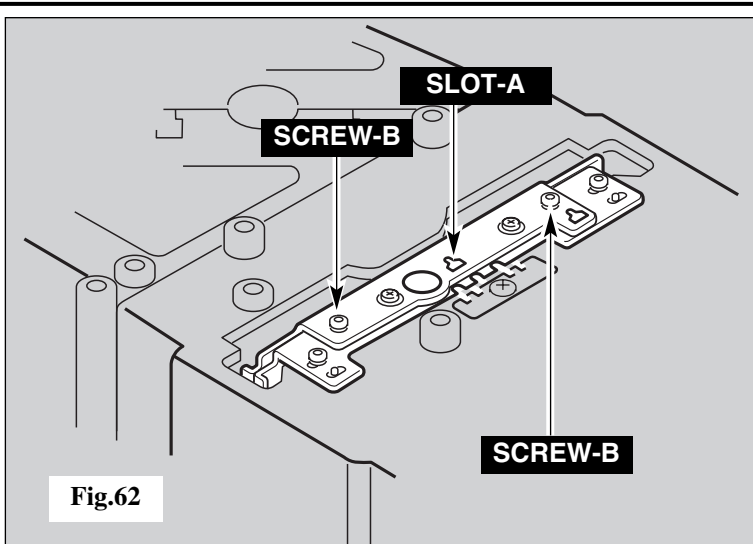
Red (or Blue) Panel convergence adjustment

1. Display Red (or Blue) and Green color crosshatch pattern by setting with service mode.
2. Turn the Red lines to be paralleled with Green lines by adjusting screw-Z.
3. Adjust screw-X to converge Red and Green vertical lines.
4. Repeat steps 2 and 3 until Red and Green vertical lines converged properly.
5. Adjust screw-Y and converge Red and Green horizontal lines properly.
6. Repeat step 2,3 and 5 until Red and Green lines converged properly.
7. Tighten screws-A.
8. Remove Adjustment Tool from Prism/LCD panel unit.

Note; If Red and Blue lines do not converge with green lines, loosen screws-A of Green reference panel and adjust Green panel slightly.

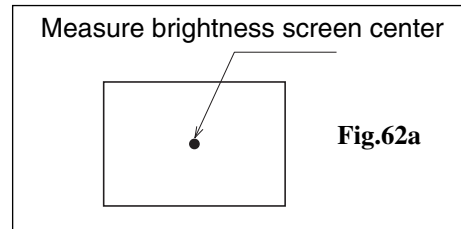
Note; When removing an Adjustment Tool after adjustment, loosen screws-B of Adjustment Tool first, otherwise adjustment may be changed.

(8) Prism P.B.S. adjustment

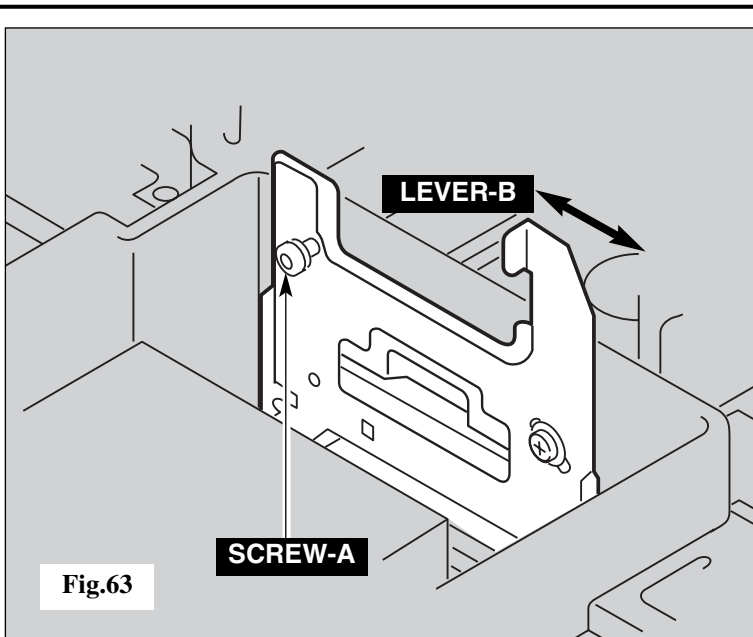


Adjustment :

1. Remove the flexible cables of LCD panels from the Main board. And turn on the projector. And input the white raster signal (100% of white raster signal).
2. Loosen 2 screws-B.
3. Insert a slot screwdriver into slot-A, turn it and adjust the center position of screen to maximum brightness.
4. Tighten the 2 screws-B to fix the prism PBS unit.



(9) Contrast adjustment (Polarized glass unit adjustment)



R, G and B polarized glass unit adjustment :

1. Turn on a projector. And input the black raster signal (0% of white raster signal).
2. Loosen screw-A on the polarized glass unit which you intend to adjust using ball allen wrench.
3. Move the lever-B in the direction of an arrow and adjust the brightness on the screen to the lowest level of black.
4. Tighten the screw-A to fix the polarizer unit.
5. Adjust the polarizer of other colors.

■ Electrical Adjustments

● Adjustments after Parts Replacement (Electrical Parts)

● : Adjustment necessary ○ : Check necessary

	Disassembly / Replaced Parts									
	Unit_ SW Power (25V)	Power Board	Unit_ Sub- Power	Unit_ P.F.C	Unit_ Ballast	Main Board	CG Mother Board	AV Board	Other Boards	
Electrical Adjustments										
Voltage adjustment	●	●								
AV video signal adjustment								●		
AV 3DNR-PLL lock check								○		
AV color and tint adjustment								●		
Fan driving voltage adjustment	●		●			●				
Video signal center adjustment						●				
PSIG adjustment						●				
Gain adjustment (PC)						●				
Gain adjustment (AV)						●				
Gain adjustment (Component)						●				
Black level adjustment						●				
Common center adjustment						●				
Panel luminance adjustment (PC)						●				
White balance adjustment(PC)						●				
Panel luminance adjustment (AV)						●				
White balance adjustment (AV)						●				
White balance adjustment (AV, 2-lamps)						●				
Color shading correction						○				

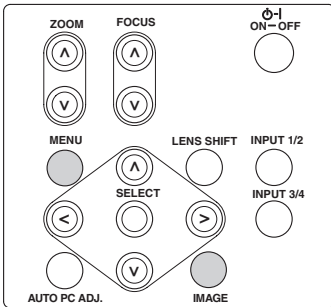
● Service Adjustment Menu Operation

Follow the procedures described below for the adjustments with service mode.

1. Turn the projector Power ON.
2. Enter Service adjustment menu.
Press and hold the MENU and IMAGE button on the projector simultaneously for more than 3 seconds, or press and hold the MENU button on the remote control unit for more than 20 seconds. The service adjustment menu appears on the screen.
3. Select Adjustment Group No. and Item No. which are to be adjusted.
Select Adjustment Group No. by pressing "MENU" and "IMAGE" buttons.
Press point UP (▲) and DOWN (▼) buttons to select Item No.
4. Adjust data value or change setting matter with point LEFT (◀) and RIGHT (▶) buttons.
5. Press POWER "ON-OFF" button once and close the service adjustment menu.

To enter "service mode"

Press "MENU" and "IMAGE" buttons on the projector simultaneously and hold for 3 seconds.



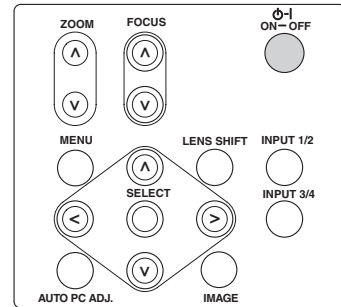
To adjust "service mode"

Adjust service data using the following control buttons on the projector or the remote control unit.

- "MENU" Group No. increases.
- "IMAGE" Group No. decreases.
- "point UP" Item No. increases.
- "point DOWN" Item No. decreases.
- "point RIGHT" Data value increases.
- "point LEFT" Data value decreases.

To exit "service mode"

Press "POWER ON-OFF" button once on the projector or the remote control unit to quit the service mode.



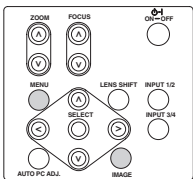
SERVICE ADJUSTMENT MENU

Service Mode		
Input		
Group	NO.	Data
20	0	80
Ver.		

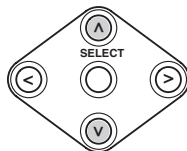
Signal Input Source (points to Input field)

Data (points to Data field)
Adjust with point LEFT and RIGHT buttons.

Group No.
Select with MENU and IMAGE buttons.



Item No.
Select with point UP and DOWN buttons.

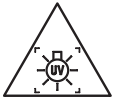


Remote Control

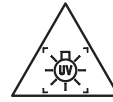


● Circuit Adjustments

CAUTION: The each circuit has been made by the fine adjustment at factory. Do not attempt to adjust the following adjustments except requiring the readjustments in servicing otherwise it may cause loss of performance and product safety.



WARNING : USE UV RADIATION EYE AND SKIN PROTECTION DURING SERVICING



CAUTION: To prevent suffer of UV radiation, those adjustments must be completed within 25 minutes.

[Adjustment Condition]

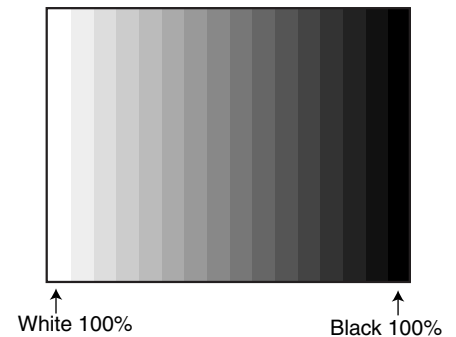
● Input signal

Computer signal 0.7Vp-p/75Ω terminated,
16 steps gray scale pattern (XGA),
100% and 50% white pattern (XGA),
1 dot line pattern (XGA)

Composite video signal..... 1.0Vp-p/75Ω terminated,
16 steps gray scale pattern,
color bar pattern (PAL, NTSC)
100% and 50% white pattern

Component Video signal..... 0.7Vp-p/75Ω terminated,
16 steps gray scale pattern (480i),
color bar pattern (480i)

16 steps gray scale pattern



● Picture control mode “STANDARD” mode unless otherwise noted.

Note :

■ The following adjustment is the adjustment items for Assembly power.

1-1. +6V voltage adjustment

■ The following adjustment is the adjustment item for Switching Regulator.

1-2. +25V voltage adjustment

■ The following adjustments is the adjustment item for Terminal board-AV. The adjustment data is stored to Terminal board-AV (IC2143).

2. AV video signal adjustment
3. AV 3DNR-PLL lock check
4. AV color and tint adjustment

■ The following adjustment is the adjustment item for Assembly sub power and Assembly main. The adjustment data is stored to Assembly main (IC1811).

5. Fan driving voltage adjustment

■ The following adjustments are the adjustment items for Assembly main. The adjustment data is stored to Assembly main (IC1811).

6. Video signal center adjustment
7. PSIG adjustment
8. Gain adjustment (PC)
9. Gain adjustment (AV)
10. Gain adjustment (Component)
11. Black level adjustment (PC)
12. Common center adjustment
13. Panel luminance adjustment (PC)
14. White balance adjustment (PC)
15. Panel luminance adjustment (AV)
16. White balance adjustment (AV)
17. White balance adjustment (AV 2Lamps)

■ The following adjustment data is stored to Assembly main (IC871).

18. Color shading correction.

1 Voltage adjustment

Equipment Digital voltmeter

1 - 1 +6V adjustment

- Adjust the voltage by using **VR652** on the power board as following.

Connection	Adjustment value
(+) 2pin of K6D on the Power Board	$6.35 \pm 0.05Vdc$
(-) Chassis GND	

1 - 2 +25V adjustment

- Adjust the voltage by using **the VR in the switching regulator A902** as following.

Connection	Adjustment value
(+) TP7614 on the Unit Sub Power	$25.0 \pm 0.1Vdc$
(-) Chassis GND	

3 AV 3DNR-PLL lock check

Equipment Digital voltmeter
 Input mode **Video** mode
 Input signal Color bar signal (PAL)
 Picture mode Normal

- Check the voltage. If it is not, check the peripheral circuit of 3DNR and repair it.

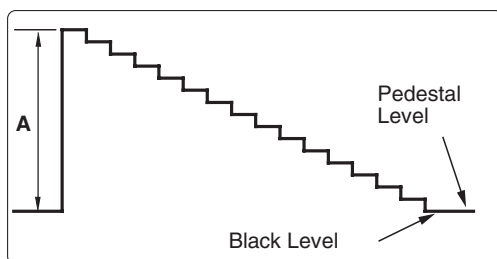
Connection	Value
(+) TP5103	$2.9 \pm 0.5Vdc$
(-) Chassis GND	

2 AV video signal adjustment

Equipment Oscilloscope
 Input mode **Video** mode
 Input signal 16-step gray scale signal
 Picture mode Normal

- Enter the service mode.
- Connect an oscilloscope to each test points.
- Change data values for each test points to;
 - adjust the amplitude **A** to below value.
 - adjust the pedestal level and black level to be the same level.

Group	No.	Connection	Step	Adjustment value
1010	0	TP211 (G)	(a)	$0.7 \pm 0.05V$
1010	1	TP211 (G)	(b)	make the same level
1010	2	TP201 (R)	(a)	$0.7 \pm 0.05V$
1010	3	TP201 (R)	(b)	make the same level
1010	4	TP221 (B)	(a)	$0.7 \pm 0.05V$
1010	5	TP221 (B)	(b)	make the same level

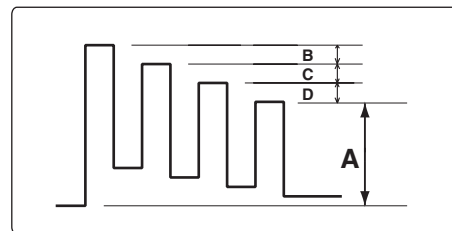


4 AV color and tint adjustment

Equipment Oscilloscope
 Input mode **Video** mode
 Input signal Color bar signal (NTSC)
 Picture mode Normal

- Enter the service mode.
- Connect an oscilloscope to TP221.
- Change data value to;
 - (color) adjust the amplitude **A** to below value.
 - (tint) adjust the amplitude **B**, **C** and **D** to the same width.

Group	No.	Connection	Step	Adjustment value
1000	25	TP221 (B)	(color)	$0.45 \pm 0.02V$
1000	24	TP221 (B)	(tint)	make the same level



5 Fan driving voltage adjustment

Equipment Digital voltmeter

1. Enter the service mode.
2. Change data values of each test points to adjust the fan driving voltage.

Group	No.	Fan	Connection	Adjustment value
140 -	0	Fan-A	TP7611	16.0 ±0.1Vdc
140 -	1	Fan-A	TP7611 (Sub Power)	24.0 ±0.1Vdc
140 -	2	Fan-C	TP2661	7.5 ±0.1Vdc
140 -	3	Fan-C	TP2661 (PBS FANNET)	13.8 ±0.1Vdc
140 -	4	Fan-B	TP2671	8.0 ±0.1Vdc
140 -	5	Fan-B	TP2671 (EXH FANNET)	13.2 ±0.1Vdc
140 -	6	Fan-D1	TPFN1	9.0 ±0.1Vdc
140 -	7	Fan-D1	TPFN1	13.5 ±0.1Vdc
140 -	8	Fan-D2	TPFN2	8.0 ±0.1Vdc
140 -	9	Fan-D2	TPFN2	13.0 ±0.1Vdc
140 -	10	Fan-D3	TPFN3	9.0 ±0.1Vdc
140 -	11	Fan-D3	TPFN3	13.5 ±0.1Vdc
140 -	12	Fan-D4	TPFN4	8.0 ±0.1Vdc
140 -	13	Fan-D4	TPFN4 (MAIN)	13.0 ±0.1Vdc

Note:

The location of each fan is refer to the parts list.

6 Video signal center adjustment

Equipment Digital voltmeter
Input mode **Computer** mode
Input signal 16-step gray scale computer signal

1. Enter the service mode.
2. Change data values for each test points to adjust the video signal reference voltage.

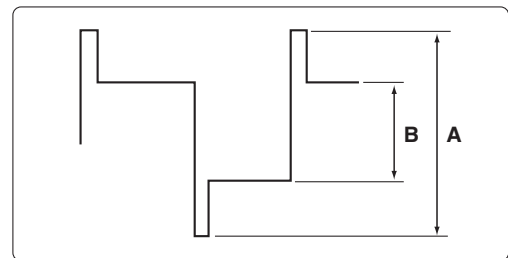
Group	No.	Connection	Adjustment value
200 -	0	TP531 (G)	7.5 ±0.1Vdc
200 -	1	TP501 (R)	7.5 ±0.1Vdc
200 -	2	TP561 (B)	7.5 ±0.1Vdc

7 PSIG adjustment

Equipment Oscilloscope
Input mode **Computer** mode
Input signal 16-step gray scale computer signal

1. Enter the service mode.
2. Change data values for each test points to adjust the PSIG signal amplitude.

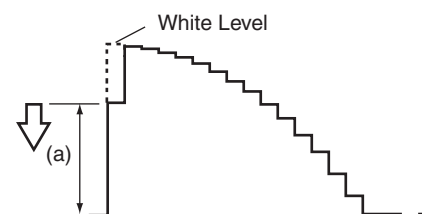
Group	No.	Connection	Adjustment value
200 -	3	TP533 (G)	A = 10.6 ±0.1V
200 -	4	TP533 (G)	B = 5.0 ±0.1V
200 -	5	TP503 (R)	A = 10.6 ±0.1V
200 -	6	TP503 (R)	B = 5.0 ±0.1V
200 -	7	TP563 (B)	A = 10.6 ±0.1V
200 -	8	TP563 (B)	B = 5.0 ±0.1V

**8 Gain adjustment (PC)**

Equipment Oscilloscope
Input mode **Computer** mode
Input signal 16-step gray scale signal

1. Enter the service mode.
2. Change data values for the test points to adjust the waveform "a" to be minimum amplitude.

Group	No.	Connection
200 -	9	TP531 (G)
200 -	10	TP501 (R)
200 -	11	TP561 (B)

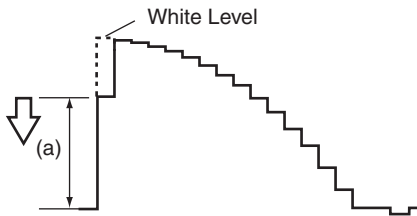


9 Gain adjustment (AV)

Equipment Oscilloscope
 Input mode **Video** mode
 Input signal 16-step gray scale signal

1. Enter the service mode.
2. Change data values for the test points to adjust the waveform "a" to be minimum amplitude.

Group	No.	Connection
210 -	9	TP531 (G)
210 -	10	TP501 (R)
210 -	11	TP561 (B)

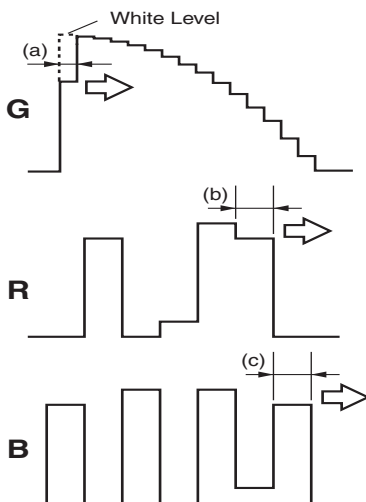


10 Gain adjustment (Component)

Equipment Oscilloscope
 Input mode **Component** mode
 Input signal 16-step gray scale, color bar signal

1. Enter the service mode.
2. Receive 16-step gray scale signal.
3. Change data value for the test point to adjust the waveform "a" to be maximum amplitude.
4. Receive color bar signal.
5. Change data values for the test points to adjust the waveform "b" and "c" to be maximum amplitude.

Group	No.	Connection	Adjustment points
210 -	9	TP531 (G)	waveform (a) to maximum
210 -	10	TP501 (R)	waveform (b) to maximum
210 -	11	TP561 (B)	waveform (c) to maximum

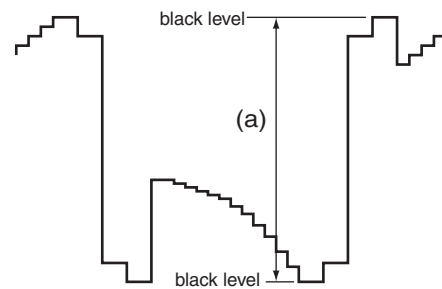


11 Black level adjustment (PC)

Equipment Oscilloscope
 Input mode **Computer** mode
 Input signal 16-step gray scale signal

1. Enter the service mode.
2. Change data values for each test point to adjust the waveform "a" to be below value.

Group	No.	Connection	Adjustment value
200 -	12	TP531 (G)	10.0 ±0.05V
200 -	13	TP501 (R)	10.0 ±0.05V
200 -	14	TP561 (B)	10.0 ±0.05V



12 Common center adjustment

Input mode **Computer** mode
 Input signal 1 line dot computer signal

1. Enter the service mode.
2. Project only one color component to the screen.
3. Change data value to obtain **the minimum flicker** for each color on the screen.

Group	No.	Screen
200 -	15	Only green color picture
200 -	16	Only red color picture
200 -	17	Only blue color picture

13 Panel luminance adjustment (PC)

Equipment	Luminance meter
Lamp mode	4 Lamp mode
Input mode	Computer mode
Input signal	100% and 50% white computer signal

1. Receive the 100% whole-white signal.
2. Enter the service mode.
3. Select group/item no. "**200 - 18**" and measure the luminance on the screen with the luminance meter. It is **A** for the reading of luminance meter.
4. Change the signal source to the 50% whole-white signal.
5. Change data value to make the reading of luminance meter to be **A x 22 ± 2%**.

Group No.	Screen	Adjustment value
	100% white	A (reading value)
200 - 18	50% white	A x 22 ± 2%

14 White Balance adjustment (PC)

Lamp mode	4 Lamp mode
Input mode	Computer mode
Input signal	50% white computer signal

1. Receive the 50% whole-white signal.
2. Enter the service mode.
3. Select group no. "**200**", item no. "**19**" or "**20**", and change data values respectively to make a proper white balance.

15 Panel luminance adjustment (AV)

Equipment	Luminance meter
Lamp mode	4 Lamp mode
Input mode	Video mode
Input signal	100% and 50% white composite signal

1. Receive the 100% whole-white signal.
2. Enter the service mode.
3. Select group/item no. "**210 - 18**" and measure the luminance on the screen with the luminance meter. It is **A** for the reading of luminance meter.
4. Change the signal source to the 50% whole-white signal.
5. Change data value to make the reading of luminance meter to be **A x 22 ± 2%**.

Group No.	Screen	Adjustment value
	100% white	A (reading value)
210 - 18	50% white	A x 22 ± 2%

16 White Balance adjustment (AV)

Lamp mode	4 Lamp mode
Input mode	Video mode
Input signal	50% white composite signal

1. Receive the 50% whole-white signal.
2. Enter the service mode.
3. Select group no. "**210**", item no. "**19**" or "**20**", and change data values respectively to make a proper white balance.

17 White Balance adjustment (AV, 2 Lamps)

Input mode	Video mode
Input signal	50% white composite signal

1. Receive the 50% whole-white signal.
2. Enter the service mode.
3. Select group/item no. "**930 - 0**"(see **note**) and change the lamp mode to **Lamp 1-4 mode** (2 Lamp mode).
4. Select group no. "**211**", item no. "**19**" or "**20**", and change data values respectively to make a proper white balance.
5. Select group/item no. "**930 - 0**"(see **note**) and change the lamp mode to **Lamp 2-3 mode** (2 Lamp mode).
6. Select group no. "**212**", item no. "**19**" or "**20**", and change data values respectively to make a proper white balance.

Note :

- If the data value appears "11" on the screen, go to next item.
- If the data value appears "0" on the screen, set the data value to "10" and go to next item.
- If the data value appears "99" on the screen, wait until it is changed to "0". Then set the data value to "10" and go to next item.

Note on WHITE UNIFORMITY Adjustment

If you find the color shading on the screen, please adjust the white uniformity by using the proper computer and "Color Shading Correction" software supplied separately.

● Service Mode Adjustment Menu

Group-no.	Adjustment Item	Adjustment Mode			
		Not designated	PC	AV	COMPONENT
140 - 0	Fans-A driving voltage adjustment	●			
140 - 1	Fans-A driving voltage adjustment	●			
140 - 2	Fans-C driving voltage adjustment	●			
140 - 3	Fans-C driving voltage adjustment	●			
140 - 4	Fans-B driving voltage adjustment	●			
140 - 5	Fans-B driving voltage adjustment	●			
140 - 6	Fans-D1 driving voltage adjustment	●			
140 - 7	Fans-D1 driving voltage adjustment	●			
140 - 8	Fans-D2 driving voltage adjustment	●			
140 - 9	Fans-D2 driving voltage adjustment	●			
140 - 10	Fans-D3 driving voltage adjustment	●			
140 - 11	Fans-D3 driving voltage adjustment	●			
140 - 12	Fans-D4 driving voltage adjustment	●			
140 - 13	Fans-D4 driving voltage adjustment	●			
141 - 0	Fans driving voltage adjustment (max/auto/min)	●			
200 - 0	Video signal center adjustment--Green		●		
200 - 1	Video signal center adjustment--Red		●		
200 - 2	Video signal center adjustment--Blue		●		
200 - 9	Green gain adjustment (PC)		●		
200 - 10	Red gain adjustment (PC)		●		
200 - 11	Blue gain adjustment (PC)		●		
200 - 15	Common center adjustment--Green		●		
200 - 16	Common center adjustment--Red		●		
200 - 17	Common center adjustment--Blue		●		
200 - 18	Panel luminance adjustment (PC)		●		
210 - 9	Green gain adjustment (AV, Component)			●	●
210 - 10	Red gain adjustment (AV, Component)			●	●
210 - 11	Blue gain adjustment (AV, Component)			●	●
210 - 18	Panel luminance adjustment (AV)			●	
200 - 19 & 20	PC White balance adjustment. 4 lamp mode		●		
210 - 19 & 20	AV White balance adjustment. 4 lamp mode			●	
211 - 19 & 20	AV White balance adjustment. Lamp 1-4 of 2 lamp mode			●	
212 - 19 & 20	AV White balance adjustment. Lamp 2-3 of 2 lamp mode			●	
1000 - 24	AV tint adjustment			●	
1000 - 25	AV color adjustment			●	

Group-no.	Adjustment Item	Adjustment Mode			
		Not designated	PC	AV	COMPONENT
1010 - 0	AV video signal adjustment (Green)			●	
1010 - 1	AV video signal adjustment (Green)			●	
1010 - 2	AV video signal adjustment (Red)			●	
1010 - 3	AV video signal adjustment (Red)			●	
1010 - 4	AV video signal adjustment (Blue)			●	
1010 - 5	AV video signal adjustment (Blue)			●	
0 - 0	Temperature monitor IC5801 Read only	●			
0 - 1	Temperature monitor IC2541 Read only	●			
1 - 0	Atmospheric Pressure monitor IC886 Read only	●			
10 - 0	RS232C Baud rate (0:9600 / 1:19200)	●			
10 - 1	RS232C RTS/CTS Flow Control (0:Disable / 1:Enable)	●			
111 - 0	Lamp-1 Lamp lighting time Read only	●			
111 - 1	Lamp-2 Lamp lighting time Read only	●			
111 - 2	Lamp-3 Lamp lighting time Read only	●			
111 - 3	Lamp-4 Lamp lighting time Read only	●			
930 - 0	Lamp mode 4 Lamp Mode (See Note.)	●			
930 - 1	Lamp mode Lamp 1-4 of 2 Lamp Mode (See Note.)	●			
930 - 2	Lamp mode Lamp 2-3 of 2 Lamp Mode (See Note.)	●			
972 - 1	R_PANEL Ghost timer reset	●			
972 - 3	G_PANEL Ghost timer reset	●			
972 - 5	B_PANEL Ghost timer reset	●			
998 - 0	Grid Test Pattern Display		●		

Note : Group No. 930

- If the data value appears "11" on the screen, the lamp mode is selected.
- If the data value appears "0" on the screen, the lamp mode is not selected. Set the data value to "10."
- If the data value appears "99" on the screen, it is period for cooling of the lamp. Wait until it is changed to "0." Then set the data value to "10."

Note : Fans control Group No. 140

- Group Fans A: FN903, 904, 905, 916
- Group Fans B: FN909, 910, 911, 912
- Group Fans C: FN901, 906, 907, 908
913, 914, 915
- Group Fans D: FN917, 918, 919, 920

Caution :

Other adjustment items are not related to service and a maintenance. Don't change the data values of those adjustment items. Otherwise it may cause loss of product safety.

■ Test Points Location

Please refer to "Printed Wiring Board Drawings." for the locations of test point.

● Service Adjustment Data Table

CAUTION : These initial values are the reference data written from the CPU ROM to the memory IC when the new memory IC replaced. The adjustment items indicated with “*” are required to readjust following to the “Electrical adjustments”. Other items should be used with the initial data value.

Group No.	Item No.	Item	Function	Data Range	Initial Value	
S 0	-	Temperature Monitor Indication				
	0	LM76 (Temp) Monitor	Temp. Sensor (Intake)	-	-	-
	1	LM76 (Temp) Monitor	Temp. Sensor (Inner)	-	-	-
	2	Thermistor Monitor	Temp. Thermistor (Inner)	-	-	-
	3	Thermistor Monitor	DAC value	-	-	-
S 1	-	Pressure Monitor Indication				
	0	MPXA4114A(Pressure) Monitor	Pressure Sensor	-	-	-
S 10	-	RS232C Set				
	0	Baud rate	RS232C Baud rate (0 : 9600 / 1 : 19200)	0 / 1	1	-
	1	RTS/CTS Flow Control	RS232C RTS/CTS Flow Control (0 : Disable / 1 : Enable)	0 / 1	0	-
	2	CTS Timeout Second	RS232C CTS Timeout	0 ~ 255	0	-
	3	Serial Address	Individual address in RS-232C chain connection	0 ~ 999	1	-
S 20	-	Logo On/Off				
	0	Logo On/Off	(0 : Menu Operation / 1 : Prohibition)	0 / 1	0	-
S 30	-	Color Shading Correction				
	0	Correction On/Off	(0 : Off / 1 : On)	0 / 1	1	-
S 40	-	Dimmer Control				
	0	Dimmer On/Off	(0 : Menu Operation / 1 : Off)	0 / 1	1	-
	1	Dimmer Level	(0 : 200W ~ 15 : 250W)	0 ~ 15	15	-
S 80	-	Projector Time				
	0	Projector Time			0	-
S 113	-	Reset Frequency Counter				
	0	Lamp 1	Lamp 1 Total Lighting Time	0 ~ 127	0	-
	1	Lamp 2	Lamp 2 Total Lighting Time	0 ~ 127	0	-
	2	Lamp 3	Lamp 3 Total Lighting Time	0 ~ 127	0	-
	3	Lamp 4	Lamp 4 Total Lighting Time	0 ~ 127	0	-
S 115	-	Lamp Go Out				
	0	Lamp Go Out	0 : Disable / 1 : Enable	0 / 1	0	-
S 120	-	RC KEY Disable				
	0	RC Zoom & Focus Only	0 : Enable / 1 : Disable	0 / 1	0	-
	1	RC / KEY All	0 : Enable / 1 : RC Disable / 2 : KEY Disable	0 ~ 2	0	-
	2	Process after Power Fail	0 : Not Recover by KEY / 1 : Recover by KEY	0 / 1	0	-
S 121	-	RC Select				
	0	RC Direct Select	0 : Rear & Front / 1 : Front / 2 : Rear / 3 : Disable	0 ~ 3	0	-
S 140	-	Fan Output Level				
	0	Fan A Min	(*) Fan A Driving Voltage Adj. at TP7611	0 ~ 255	210	-
	1	Fan A Max	(*) Fan A Driving Voltage Adj. at TP7611	0 ~ 255	10	-
	2	Fan C Min	(*) Fan C Driving Voltage Adj. at TP2661	0 ~ 255	210	-
	3	Fan C Max	(*) Fan C Driving Voltage Adj. at TP2661	0 ~ 255	20	-
	4	Fan B Min	(*) Fan B Driving Voltage Adj. at TP2671	0 ~ 255	200	-
	5	Fan B Max	(*) Fan B Driving Voltage Adj. at TP2671	0 ~ 255	25	-
	6	Fan D1 Min	(*) Fan D1 Driving Voltage Adj. at TPFN1	0 ~ 255	110	-
	7	Fan D1 Max	(*) Fan D1 Driving Voltage Adj. at TPFN1	0 ~ 255	30	-
	8	Fan D2 Min	(*) Fan D2 Driving Voltage Adj. at TPFN2	0 ~ 255	130	-
	9	Fan D2 Max	(*) Fan D2 Driving Voltage Adj. at TPFN2	0 ~ 255	40	-
	10	Fan D3 Min	(*) Fan D3 Driving Voltage Adj. at TPFN3	0 ~ 255	110	-
	11	Fan D3 Max	(*) Fan D3 Driving Voltage Adj. at TPFN3	0 ~ 255	30	-
	12	Fan D4 Min	(*) Fan D4 Driving Voltage Adj. at TPFN4	0 ~ 255	130	-
	13	Fan D4 Max	(*) Fan D4 Driving Voltage Adj. at TPFN4	0 ~ 255	40	-
S 141	-	Fan Output Level				
	0	Fan Output Level	0 : Max / 1 : Factory / 2 : Auto / 3 : Min	0 ~ 3	2	-
S 150	-	Factory Set (Reset)				
	0	Factory Set Do not touched.	Available at No.10 caution : Important! Do not attempt.	0 ~ 10	0	-
S 160	-	Shootout				
	0	Switch	0 : Enable / 1 : Disable	0 / 1	0	-
S 180	-	DDC Setting				
	0	HDCP EDID Data Setting	0 : EDID Data for DVI / 1 : EDID Data for HDCP	0 / 1	1	-
S 200	-	CG Full Lamp	(Factory Use – PC Mode)			
	0	G-SIG Center	(*) DAC Video Center G	0 ~ 255	32	-
	1	R-SIG Center	(*) DAC Video Center R	0 ~ 255	32	-
	2	B-SIG Center	(*) DAC Video Center B	0 ~ 255	32	-
	3	SDIA G	DAC PSIGA	0 ~ 255	15	-
	4	SDIB G	DAC PSIGB	0 ~ 127	214	-
	5	SDIA R	DAC PSIGA	0 ~ 127	15	-

Group No.	Item No.	Item	Function	Data Range	Initial Value	
	6	SDIB R	DAC PSIGB	0 ~ 225	214	-
	7	SDIA B	DAC PSIGA	0 ~ 225	15	-
	8	SDIB B	DAC PSIGB	0 ~ 225	214	-
	9	ADC G-GAIN	(*) G Gain Adjustment	0 ~ 225	128	-
	10	ADC R-GAIN	(*) R Gain Adjustment	0 ~ 255	128	-
	11	ADC B-GAIN	(*) B Gain Adjustment	0 ~ 255	128	-
	12	GAIN CONTROL G	(*) G Black Level Adjustment	0 ~ 255	189	-
	13	GAIN CONTROL R	(*) R Black Level Adjustment	0 ~ 255	189	-
	14	GAIN CONTROL B	(*) B Black Level Adjustment	0 ~ 255	189	-
	15	VCOM-G	(*) DAC G Common Center Adj. (for Flicker Reduction)	0 ~ 255	104	-
	16	VCOM-R	(*) DAC R Common Center Adj. (for Flicker Reduction)	0 ~ 255	104	-
	17	VCOM-B	(*) DAC B Common Center Adj. (for Flicker Reduction)	0 ~ 255	104	-
	18	G GAMMA BRIGHT	(*) PC Panel Luminance Adjustment	0 ~ 8191	4096	-
	19	R GAMMA BRIGHT	(*) PC R White Balance Adjustment	0 ~ 8191	4096	-
	20	B GAMMA BRIGHT	(*) PC B White Balance Adjustment	0 ~ 8191	4096	-
S 201	-	CG 3L Lamp 1/4 or 1 Mode	(Factory Use – PC Mode)			
	0-18	Unused		-	*999	-
	19	R White Balance	PC R White Balance Adjustment	0 ~ 8191	4096	-
	20	B White Balance	PC B White Balance Adjustment	0 ~ 8191	4096	-
S 202	-	CG 3L Lamp 2/3 or 2 Mode	(Factory Use – PC Mode)			
	0-18	Unused		-	*999	-
	19	R White Balance	PC R White Balance Adjustment	0 ~ 8191	4096	-
	20	B White Balance	PC B White Balance Adjustment	0 ~ 8191	4096	-
S 210	-	AV Full Lamp	(Factory Use – AV Mode)			
	0-8	Unused		-	*999	-
	9	ADC G-GAIN	(*) G Gain Adjustment (AV/Component)	0 ~ 255	128/128	-
	10	ADC R-GAIN	(*) R Gain Adjustment (AV/Component)	0 ~ 255	128/128	-
	11	ADC B-GAIN	(*) B Gain Adjustment (AV/Component)	0 ~ 255	128/128	-
	12-17	Unused		-	*999	-
	18	G GAMMA BRIGHT	(*) AV Panel Luminance Adjustment	0 ~ 8191	4096	-
	19	R GAMMA BRIGHT	(*) AV R White Balance Adjustment	0 ~ 8191	4096	-
	20	B GAMMA BRIGHT	(*) AV B White Balance Adjustment	0 ~ 8191	4096	-
S 211	-	AV 3L Lamp 1/4 or 1 Mode	Factory Use – AV 3L Lamp 1/4 or 1 Mode			
	0-18	Unused		-	*999	-
	19	R White Balance	(*) AV R White Balance Adjustment	0 ~ 8191	4096	-
	20	B White Balance	(*) AV B White Balance Adjustment	0 ~ 8191	4096	-
S 212	-	AV 3L Lamp 2/3 or 1 Mode	Factory Use – AV 3L Lamp 2/3 or 2 Mode			
	0-18	Unused		-	*999	-
	19	R White Balance	(*) AV R White Balance Adjustment	0 ~ 8191	4096	-
	20	B White Balance	(*) AV B White Balance Adjustment	0 ~ 8191	4096	-
S 290	-	PANEL L/R				
	0	PANEL L/R	Read only (0 : Type-L / 20 : Type-R)	0 / 20	0	-
	1	Panel L/R Change	Select panel L/R (0 : Type-L / 20 : Type-R)	0 ~ 20	10	-
S 300	-	Compo Card Mode Select				
	0	IO Expander D3 Output	0 : Low / 1 : High Output	0 ~ 1	0	-
	1	TA1318N CSYNC	0 : Sync1 / 1 : Sync2 Select	0 ~ 1	0	-
S 310	-	SWFPGA CLAMP OFFSET	OFFSET (Offset center : 128)			
	0	480i / NTSC		0 ~ 255	128	-
	1	575i / PAL		0 ~ 255	128	-
	2	1080i 60Hz		0 ~ 255	128	-
	3	1080i 50Hz		0 ~ 255	128	-
	4	1035i		0 ~ 255	128	-
	5	720p		0 ~ 255	128	-
	6	575p		0 ~ 255	128	-
	7	480p		0 ~ 255	128	-
S 320	-	FINEFPGA GAIN				
	0	RGB Gain Center	Analog PC/Analog AV/Digital	0 ~ 511	256/256/256	-
	1	User Control Test		0 ~ 511	-	-
S 321	-	FINEFPGA R OFFSET				
	0	R ON LIMIT LEVEL		0 ~ 255	170	-
	1	R ON RATE		0 ~ 255	60	-
	2	R ADD G-R ON	0 : Off / 1 : On (Read only)	0 / 1	-	-
S 500	-	ADC				
	0	ADC R-OFFSET		0 ~ 255	64	-
	1	ADC G-OFFSET		0 ~ 255	64	-
	2	ADC B-OFFSET		0 ~ 255	64	-
	3	ADC R-GAIN		0 ~ 255	128	-
	4	ADC G-GAIN		0 ~ 255	128	-
	5	ADC B-GAIN		0 ~ 255	128	-
	6	ADC Band Width PC		0 ~ 3	3	-
	7	ADC Band Width AV		0 ~ 3	3	-
S 501	-	VSBEQ				

Electrical Adjustments

Group No.	Item No.	Item	Function	Data Range	Initial Value	
	0	VSBEGB RGB		0 ~ 15	1	-
	1	VSBEGB Component		0 ~ 15	1	-
	2	VSBEGB Video		0 ~ 15	1	-
	3	VSBEGB Else	Unused	0 ~ 15	1	-
S 502	-	CUSTOM				
	0	Aspect V Scaler		0 ~ 255	64	-
	1	Aspect V Position		0 ~ 255	64	-
	2	OSD V Position		0 ~ 255	0	-
	3	OSD H Position		0 ~ 255	0	-
	4	V Scaler		0 ~ 300	50	-
	5	V Position		0 ~ 5000	2500	-
	6	H Scaler		0 ~ 300	50	-
	7	H Position		0 ~ 5000	2500	-
	8	Aspect Interlock	0: HV not link to Scaler, 1: HV link to H-Scaler	0 / 1	0	-
S 503	-	OEM SPECIAL				
	0	OEM Special Mode	0: Normal, 1: T-special, 2: Full	0 ~ 2	0	-
	1	SXGA V Position		0 ~ 2000	0	-
	2	SXGA H Position		0 ~ 2000	0	-
	3	XGA V Position		0 ~ 2000	0	-
	4	XGA H Position		0 ~ 2000	0	-
S 510	-	NTSC				
	0	Total Dots		0 ~ 3000	1292	-
	1	Disp Dots		0 ~ 3000	1024	-
	2	H Back Porch (Compo/Video/PC)		0 ~ 4095	197/214/193	-
	3	V Back Porch (Compo/Video/PC)		0 ~ 2047	16/23/17	-
	4	Disp Line		0 ~ 1500	468	-
	5	Clamp		0 ~ 3000	26	-
	6	Blank Top		0 ~ 255	0	-
	7	Blank Bottom		0 ~ 255	0	-
S 511	-	PAL				
	0	Total Dots		0 ~ 3000	1322	-
	1	Disp Dots		0 ~ 3000	1024	-
	2	H Back Porch (Compo/Video/PC)		0 ~ 4095	224/241/220	-
	3	V Back Porch (Compo/Video/PC)		0 ~ 2047	30/37/32	-
	4	Disp Line		0 ~ 1500	552	-
	5	Clamp		0 ~ 3000	38	-
	6	Blank Top		0 ~ 255	0	-
	7	Blank Bottom		0 ~ 255	0	-
S 512	-	HDTV 1080i 60Hz				
	0	Total Dots		0 ~ 3000	1176	-
	1	Disp Dots		0 ~ 3000	1024	-
	2	H Back Porch (Compo/PC)		0 ~ 4095	41/48	-
	3	V Back Porch (Compo/PC)		0 ~ 2047	11/11	-
	4	Disp Line		0 ~ 1500	1080	-
	5	Clamp		0 ~ 3000	12	-
	6	Blank Top		0 ~ 255	0	-
	7	Blank Bottom		0 ~ 255	0	-
S 513	-	HDTV 1080i 50Hz				
	0	Total Dots		0 ~ 3000	1414	-
	1	Disp Dots		0 ~ 3000	1024	-
	2	H Back Porch (Compo/PC)		0 ~ 4095	48/54	-
	3	V Back Porch (Compo/PC)		0 ~ 2047	11/11	-
	4	Disp Line		0 ~ 1500	1080	-
	5	Clamp		0 ~ 3000	12	-
	6	Blank Top		0 ~ 255	0	-
	7	Blank Bottom		0 ~ 255	0	-
S 514	-	HDTV 1035i				
	0	Total Dots		0 ~ 3000	1216	-
	1	Disp Dots		0 ~ 3000	1024	-
	2	H Back Porch (Compo/PC)		0 ~ 4095	58/65	-
	3	V Back Porch (Compo/PC)		0 ~ 2047	63/63	-
	4	Disp Line		0 ~ 1500	1010	-
	5	Clamp		0 ~ 3000	12	-
	6	Blank Top		0 ~ 255	0	-
	7	Blank Bottom		0 ~ 255	0	-
S 515	-	HDTV 720p				
	0	Total Dots		0 ~ 3000	1252	-
	1	Disp Dots		0 ~ 3000	966	-
	2	H Back Porch (Compo/PC)		0 ~ 4095	75/84	-
	3	V Back Porch (Compo/PC)		0 ~ 2047	0/0	-
	4	Disp Line		0 ~ 1500	720	-
	5	Clamp		0 ~ 3000	28	-

Group No.	Item No.	Item	Function	Data Range	Initial Value	
	6	Blank Top		0 ~ 255	0	-
	7	Blank Bottom		0 ~ 255	0	-
S 516	-	HDTV 575p				
	0	Total Dots		0 ~ 3000	1152	-
	1	Disp Dots		0 ~ 3000	924	-
	2	H Back Porch (Compo/PC)		0 ~ 4095	39/44	-
	3	V Back Porch (Compo/PC)		0 ~ 2047	45/46	-
	4	Disp Line		0 ~ 1500	550	-
	5	Clamp		0 ~ 3000	12	-
	6	Blank Top		0 ~ 255	0	-
	7	Blank Bottom		0 ~ 255	0	-
S 517	-	HDTV 480p				
	0	Total Dots		0 ~ 3000	1175	-
	1	Disp Dots		0 ~ 3000	966	-
	2	H Back Porch (Compo/PC)		0 ~ 4095	48/57	-
	3	V Back Porch (Compo/PC)		0 ~ 2047	37/37	-
	4	Disp Line		0 ~ 1500	476	-
	5	Clamp		0 ~ 3000	8	-
	6	Blank Top		0 ~ 255	0	-
	7	Blank Bottom		0 ~ 255	0	-
S 520	-	Faroudja Video Source 575i	(Activate with Optional Terminal Board)			
	0	Total Dots		0 ~ 3000	1126	-
	1	Disp Dots		0 ~ 3000	674	-
	2	H Back Porch		0 ~ 3000	255	-
	3	V Back Porch		0 ~ 3000	77	-
	4	Disp Line		0 ~ 1500	558	-
	5	Clamp		0 ~ 3000	0	-
	6	Blank Top		0 ~ 255	0	-
	7	Blank Bottom		0 ~ 255	0	-
S 521	-	Faroudja Video Source 480i	(Activate with Optional Terminal Board)			
	0	Total Dots		0 ~ 3000	1126	-
	1	Disp Dots		0 ~ 3000	682	-
	2	H Back Porch		0 ~ 3000	193	-
	3	V Back Porch		0 ~ 3000	51	-
	4	Disp Line		0 ~ 1500	459	-
	5	Clamp		0 ~ 3000	0	-
	6	Blank Top		0 ~ 255	0	-
	7	Blank Bottom		0 ~ 255	0	-
S 522	-	Faroudja YCbCr 575p	(Activate with Optional Terminal Board)			
	0	Total Dots		0 ~ 3000	1500	-
	1	Disp Dots		0 ~ 3000	936	-
	2	H Back Porch		0 ~ 3000	268	-
	3	V Back Porch		0 ~ 3000	35	-
	4	Disp Line		0 ~ 1500	557	-
	5	Clamp		0 ~ 3000	0	-
	6	Blank Top		0 ~ 255	0	-
	7	Blank Bottom		0 ~ 255	0	-
S 523	-	Faroudja YCbCr 480p	(Activate with Optional Terminal Board)			
	0	Total Dots		0 ~ 3000	1500	-
	1	Disp Dots		0 ~ 3000	970	-
	2	H Back Porch		0 ~ 3000	251	-
	3	V Back Porch		0 ~ 3000	35	-
	4	Disp Line		0 ~ 1500	465	-
	5	Clamp		0 ~ 3000	0	-
	6	Blank Top		0 ~ 255	0	-
	7	Blank Bottom		0 ~ 255	0	-
S 524	-	Faroudja YCbCr 575i	(Activate with Optional Terminal Board)			
	0	Total Dots		0 ~ 3000	1126	-
	1	Disp Dots		0 ~ 3000	672	-
	2	H Back Porch		0 ~ 3000	178	-
	3	V Back Porch		0 ~ 3000	1	-
	4	Disp Line		0 ~ 1500	545	-
	5	Clamp		0 ~ 3000	0	-
	6	Blank Top		0 ~ 255	0	-
	7	Blank Bottom		0 ~ 255	0	-
S 525	-	Faroudja YCbCr 480i	(Activate with Optional Terminal Board)			
	0	Total Dots		0 ~ 3000	1126	-
	1	Disp Dots		0 ~ 3000	682	-
	2	H Back Porch		0 ~ 3000	192	-
	3	V Back Porch		0 ~ 3000	9	-
	4	Disp Line		0 ~ 1500	460	-
	5	Clamp		0 ~ 3000	0	-

Electrical Adjustments

Group No.	Item No.	Item	Function	Data Range	Initial Value	
	6	Blank Top		0 ~ 255	0	-
	7	Blank Bottom		0 ~ 255	0	-
S 530	-	SD-SDI 575i	(Activate with Optional Terminal Board)			
	0	ON/OFF	0: OFF, 1: ON	0/1	1	-
	1	Total Dots		0 ~ 3000	864	-
	2	Disp Dots		0 ~ 3000	697	-
	3	H Back Porch		0 ~ 3000	259	-
	4	V Back Porch		0 ~ 3000	26	-
	5	Disp Line		0 ~ 1500	566	-
	6	Clamp		0 ~ 3000	0	-
	7	Blank Top		0 ~ 255	0	-
	8	Blank Bottom		0 ~ 255	0	-
S 531	-	SD-SDI 480i	(Activate with Optional Terminal Board)			
	0	ON/OFF	0: OFF, 1: ON	0/1	1	-
	1	Total Dots		0 ~ 3000	858	-
	2	Disp Dots		0 ~ 3000	708	-
	3	H Back Porch		0 ~ 3000	242	-
	4	V Back Porch		0 ~ 3000	14	-
	5	Disp Line		0 ~ 1500	479	-
	6	Clamp		0 ~ 3000	0	-
	7	Blank Top		0 ~ 255	0	-
	8	Blank Bottom		0 ~ 255	0	-
S 532	-	Dual-SDI 575i	(Activate with Optional Terminal Board)			
	0	ON/OFF	0: OFF, 1: ON	0/1	1	-
	1	Total Dots		0 ~ 3000	864	-
	2	Disp Dots		0 ~ 3000	720	-
	3	H Back Porch		0 ~ 3000	250	-
	4	V Back Porch		0 ~ 3000	28	-
	5	Disp Line		0 ~ 1500	580	-
	6	Clamp		0 ~ 3000	0	-
	7	Blank Top		0 ~ 255	0	-
	8	Blank Bottom		0 ~ 255	0	-
S 533	-	Dual-SDI 480i	(Activate with Optional Terminal Board)			
	0	ON/OFF	0: OFF, 1: ON	0/1	1	-
	1	Total Dots		0 ~ 3000	858	-
	2	Disp Dots		0 ~ 3000	720	-
	3	H Back Porch		0 ~ 3000	237	-
	4	V Back Porch		0 ~ 3000	17	-
	5	Disp Line		0 ~ 1500	485	-
	6	Clamp		0 ~ 3000	0	-
	7	Blank Top		0 ~ 255	0	-
	8	Blank Bottom		0 ~ 255	0	-
S 540	-	SCART 575i				
	0	Total Dots		0 ~ 3000	1322	-
	1	Unused		-	-	-
	2	H Back Porch		0 ~ 3000	226	-
	3	V Back Porch		0 ~ 3000	33	-
	4 ~ 7	Unused		-	-	-
S 541	-	SCART 480i				
	0	Total Dots		0 ~ 3000	1292	-
	1	Unused		-	-	-
	2	H Back Porch		0 ~ 3000	199	-
	3	V Back Porch		0 ~ 3000	17	-
	4 ~ 7	Unused		-	-	-
S 900	-	PC ADJ.	(Activate at PC mode)			
	0	USR_GAIN		1 ~ 255	64	-
	1	G_SUB_GAIN		0 ~ 255	128	-
	2	B_SUB_GAIN		0 ~ 255	128	-
	3	R_SUB_GAIN		0 ~ 255	128	-
	4	G_SUB_BRT		0 ~ 8191	4096	-
	5	B_SUB_BRT		0 ~ 8191	4096	-
	6	R_SUB_BRT		0 ~ 8191	4096	-
	7	G_GAM_BRT		0 ~ 8191	4096	-
	8	B_GAM_BRT		0 ~ 8191	4096	-
	9	R_GAM_BRT		0 ~ 8191	4096	-
	10	G_BRT_CTRL		0 ~ 255	0	-
	11	B_BRT_CTRL		0 ~ 255	0	-
	12	R_BRT_CTRL		0 ~ 255	0	-
S 910	-	AV ADJ.	(Activate at AV mode)			
	0	USR_GAIN		1 ~ 255	64	-
	1	G_SUB_GAIN		0 ~ 255	128	-
	2	B_SUB_GAIN		0 ~ 255	128	-

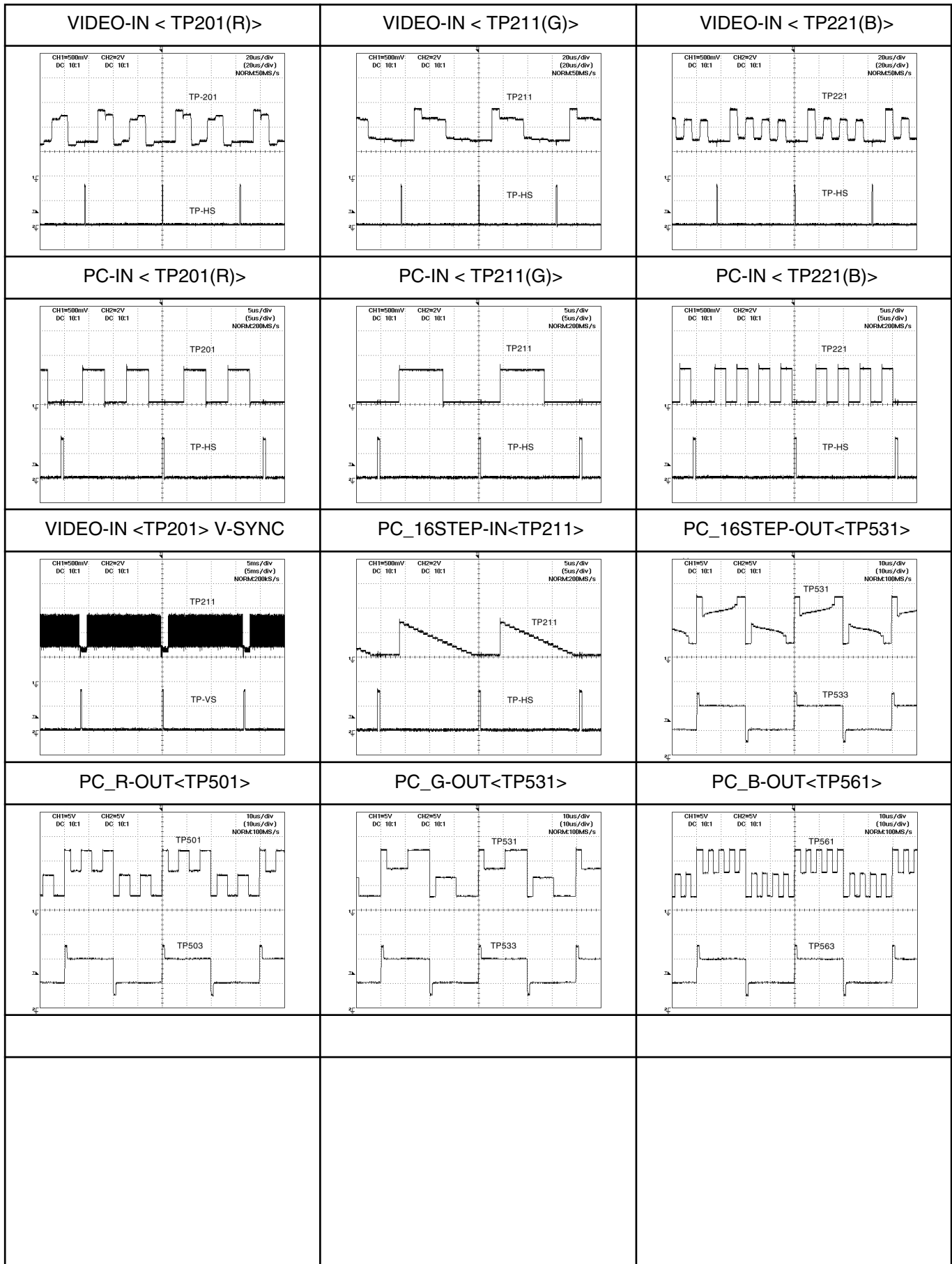
Group No.	Item No.	Item	Function	Data Range	Initial Value	
-	3	R SUB_GAIN		0 ~ 255	128	-
-	4	G SUB_BRT		0 ~ 8191	4096	-
-	5	B SUB_BRT		0 ~ 8191	4096	-
-	6	R SUB_BRT		0 ~ 8191	4096	-
-	7	G GAM_BRT		0 ~ 8191	4096	-
-	8	B GAM_BRT		0 ~ 8191	4096	-
-	9	R GAM_BRT		0 ~ 8191	4096	-
-	10	G_BRT_CTRL		0 ~ 255	0	-
-	11	B_BRT_CTRL		0 ~ 255	0	-
-	12	R_BRT_CTRL		0 ~ 255	0	-
S 920	-	PC/AV COMMON ADJ.				
-	0	G_SIG_CNTR		0 ~ 255	33	-
-	1	B_SIG_CNTR		0 ~ 255	33	-
-	2	R_SIG_CNTR		0 ~ 255	33	-
-	3	G_GAIN_CTRL		0 ~ 255	160	-
-	4	R_GAIN_CTRL		0 ~ 255	160	-
-	5	B_GAIN_CTRL		0 ~ 255	160	-
-	6	G_VCOM_CTRL		0 ~ 255	100	-
-	7	R_VCOM_CTRL		0 ~ 255	100	-
-	8	B_VCOM_CTRL		0 ~ 255	100	-
-	9	G_PSIGA		0 ~ 255	21	-
-	10	R_PSIGA		0 ~ 255	21	-
-	11	B_PSIGA		0 ~ 255	21	-
-	12	G_PSIGB		0 ~ 255	212	-
-	13	R_PSIGB		0 ~ 255	212	-
-	14	B_PSIGB		0 ~ 255	212	-
S 930	-	Lamp Mode Change				
-	0	ALL Lamp Mode	Data 0 is displayed, set data 10 and selection is activated. Data 11 is displayed when selection is accomplished. Data 99 is displayed while cooling and selection is disabled, wait until it is changed to data 0.	0 ~ 10	0	-
-	1	2 Lamp Mode 1-4 or 1		0 ~ 10	0	-
-	2	2 Lamp Mode 2-3 or 2		0 ~ 10	0	-
S 940	-	Lamp Factory Time	(Factory use only)			
-	0	ALL to 2L-1	Lamp Mode Changing Time for Factory (Step:10)	50 ~ 200	120	-
-	1	2L-1 to 2L-2	Lamp Mode Changing Time for Factory (Step:10)	50 ~ 200	180	-
-	2	2L-2 to ALL	Lamp Mode Changing Time for Factory (Step:10)	50 ~ 200	180	-
-	3	ALL to 2L-2	Lamp Mode Changing Time for Factory (Step:10)	50 ~ 200	120	-
-	4	2L-2 to 2L-1	Lamp Mode Changing Time for Factory (Step:10)	50 ~ 200	180	-
-	5	2L-1 to ALL	Lamp Mode Changing Time for Factory (Step:10)	50 ~ 200	180	-
S 941	-	Lamp Factory Time	(Factory use only)			
-	0	Unused		-	-	-
-	1	2L-1 to 2L-2	2L-1 to 2L-2 Stopping Time for Fan D2/D3	0 ~ 180	65	-
-	2	2L-2 to ALL	2L-2 to ALL Stopping Time for Fan D1/D4	0 ~ 180	65	-
-	3	Unused		-	-	-
-	4	2L-2 to 2L-1	2L-2 to 2L-1 Stopping Time for Fan D1/D4	0 ~ 180	65	-
-	5	2L-1 to ALL	2L-1 to ALL Stopping Time for Fan D2/D3	0 ~ 180	65	-
S 950	-	SWFPGA IP DLY				
-	0	IP Signal Delay	IP Signal Delay (0 : ON, 1 : OFF)	0 / 1	0	-
S 970	-	GHOST				
-	0	SHP		1 ~ 63	30	-
-	1	GC_ON		0 ~ 1	1	-
-	2	R_GC_ATT		1 ~ 255	0	-
-	3	G_GC_ATT		1 ~ 255	0	-
-	4	B_GC_ATT		1 ~ 255	0	-
-	5	DFT_ON		0 ~ 1	0	-
-	6	R_HPC_DAT		0 ~ 2047	0	-
-	7	R_HPC_DAT		1 ~ 2047	0	-
-	8	R_HPC_DAT		2 ~ 2047	0	-
-	9	DCK_CDAT	Read only	-	-	-
S 971	-	GHOST DRIFT				
-	0	DCK1F	R Panel	0 ~ 47	1	-
-	1	DCK2F	R Panel	0 ~ 47	1	-
-	2	DCK3F	G Panel	0 ~ 47	1	-
-	3	DCK4F	G Panel	0 ~ 47	1	-
-	4	DCK5F	B Panel	0 ~ 47	1	-
-	5	DCK6F	B Panel	0 ~ 47	1	-
S 972	-	GHOST DRIFT TIMER				
-	0	R_PANEL Ghost Timer	Read only	0 ~ 32767	-	-
-	1	R_PANEL Ghost Timer Reset	Reset to set data to "10" (*) R_panel ghost timer reset	0 ~ 10	0	-
-	2	G_PANEL Ghost Timer	Read only	0 ~ 32767	-	-
-	3	G_PANEL Ghost Timer Reset	Reset to set data to "10" (*) G_panel ghost timer reset	1 ~ 10	0	-

Electrical Adjustments

Group No.	Item No.	Item	Function	Data Range	Initial Value	
	- 4	B_PANEL Ghost Timer	Read only	0 ~ 32767	-	-
	- 5	B_PANEL Ghost Timer Reset	Reset to set data to "10" (*B_panel ghost timer reset)	0 ~ 10	0	-
S 973	-	Panel Vertical Thread Canceller				
	- 0	VS_R_RGT		0 ~ 1	1	-
	- 1	VS_G_RGT		0 ~ 1	1	-
	- 2	VS_B_RGT		0 ~ 1	1	-
	- 3	VS_DAT1 ~ 9		0 ~ 255	0	-
	- 4	VS_GDAT1		0 ~ 255	64	-
	- 5	VS_GDAT2		0 ~ 255	64	-
	- 6	VS_GDAT3		0 ~ 255	64	-
	- 7	VS_POS		0 ~ 15	0	-
S 974	-	Panel Vertical Thread Canceller	(LEFT/RIGHT REVERSE)			
	- 0	VS_R_RGT		0 ~ 1	1	-
	- 1	VS_G_RGT		0 ~ 1	1	-
	- 2	VS_B_RGT		0 ~ 1	1	-
	- 3	VS_DAT1 ~ 9		0 ~ 255	0	-
	- 4	VS_GDAT1		0 ~ 255	64	-
	- 5	VS_GDAT2		0 ~ 255	64	-
	- 6	VS_GDAT3		0 ~ 255	64	-
	- 7	VS_POS		0 ~ 15	0	-
S 980	-	Color Shading Stair Level	4 Lamp Mode, 2 Lamp Mode 1/4 - 2/3			
	- 0	R_Stair MIN Level		0 ~ 1023	284	-
	- 1	R_Stair MID2 Level		0 ~ 1023	432	-
	- 2	R_Stair MID1 Level		0 ~ 1023	522	-
	- 3	R_Stair MAX Level		0 ~ 1023	608	-
	- 4	G_Stair MIN Level		0 ~ 1023	284	-
	- 5	G_Stair MID2 Level		0 ~ 1023	432	-
	- 6	G_Stair MID1 Level		0 ~ 1023	522	-
	- 7	G_Stair MAX Level		0 ~ 1023	608	-
	- 8	B_Stair MIN Level		0 ~ 1023	284	-
	- 9	B_Stair MID2 Level		0 ~ 1023	432	-
	- 10	B_Stair MID1 Level		0 ~ 1023	522	-
	- 11	B_Stair MAX Level		0 ~ 1023	608	-
S 981	-	Color Shading Stair Level	Type-L / Type-R OFFSET			
	- 0	R_Stair MIN Level		0 ~ 255	0/0	-
	- 1	R_Stair MID2 Level		0 ~ 255	0/0	-
	- 2	R_Stair MID1 Level		0 ~ 255	0/0	-
	- 3	R_Stair MAX Level		0 ~ 255	0/0	-
	- 4	G_Stair MIN Level		0 ~ 255	0/0	-
	- 5	G_Stair MID2 Level		0 ~ 255	0/0	-
	- 6	G_Stair MID1 Level		0 ~ 255	0/0	-
	- 7	G_Stair MAX Level		0 ~ 255	0/0	-
	- 8	B_Stair MIN Level		0 ~ 255	120/140	-
	- 9	B_Stair MID2 Level		0 ~ 255	126/131	-
	- 10	B_Stair MID1 Level		0 ~ 255	127/130	-
	- 11	B_Stair MAX Level		0 ~ 255	0/0	-
S 997	-	Panel Life Test Pattern Display	(UP/DOWN KEY is available at data 0)			
	- 0	Panel Life Test Pattern Display	Data 0 : Menu	0 ~ 1	0	-
S 998	-	Stack Pattern Display	(UP/DOWN KEY is available at data 0)			
	- 0	Stack Pattern Display	Data 0 : Menu (Volume ± KEY : W, R, G, B, Y, LB)	0 ~ 1	0	-
S 1000	-	CXA2019AQ				
	- 0	H_LOCK	Status Register (0: Not locked, 1: Locked)	0 / 1	0	
	- 1	KILLER	Status Register (0: OFF, 1: ON)	0 / 1	1	
	- 2	NT_PAL	Status Register (0: NTSC, 1: PAL)	0 / 1	0	
	- 3	F50_60	Status Register (0: 60Hz, 1: 50Hz)	0 / 1	0	
	- 4	SECAM	Status Register (0: Not SECAM, 1: SECAM)	0 / 1	0	
	- 5	VCO_F	Status Register (0: 3.58MHz, 1: 4.43MHz)	0 / 1	1	
	- 6	R11_Y_DELAY_CV_PAL	Y Delay at composite signal	0 ~ 3	3	
	- 7	R11_Y_DELAY_CV_SECAM	Y Delay at composite signal	0 ~ 3	0	
	- 8	R11_Y_DELAY_CV_NTSC	Y Delay at composite signal	0 ~ 3	3	
	- 9	R11_Y_DELAY_CV_NTSC443	Y Delay at composite signal	0 ~ 3	0	
	- 10	R11_Y_DELAY_CV_PAL_M	Y Delay at composite signal	0 ~ 3	2	
	- 11	R11_Y_DELAY_CV_PAL_N	Y Delay at composite signal	0 ~ 3	2	
	- 12	R11_Y_DELAY_CV_MONO_60	Y Delay at composite signal	0 ~ 3	3	
	- 13	R11_Y_DELAY_CV_MONO_50	Y Delay at composite signal	0 ~ 3	3	
	- 14	R11_Y_DELAY_YC_PAL	Y Delay at Y/C Sep. signal	0 ~ 3	0	
	- 15	R11_Y_DELAY_YC_SECAM	Y Delay at Y/C Sep. signal	0 ~ 3	3	
	- 16	R11_Y_DELAY_YC_NTSC	Y Delay at Y/C Sep. signal	0 ~ 3	0	
	- 17	R11_Y_DELAY_YC_NTSC443	Y Delay at Y/C Sep. signal	0 ~ 3	0	
	- 18	R11_Y_DELAY_YC_PAL_M	Y Delay at Y/C Sep. signal	0 ~ 3	0	
	- 19	R11_Y_DELAY_YC_PAL_N	Y Delay at Y/C Sep. signal	0 ~ 3	0	
	- 20	R11_Y_DELAY_YC_MONO_60	Y Delay at Y/C Sep. signal	0 ~ 3	0	

Group No.	Item No.	Item	Function	Data Range	Initial Value	
	– 21	R11_Y_DELAY_YC_MONO_50	Y Delay at Y/C Sep. signal	0 ~ 3	0	
	– 22	R04_C_TRAP_ADJ_SECAM	Chroma trap f0 Adj. (0: High, 1: Low)	0 ~ 15	13	
	– 23	R04_C_TRAP_ADJ_NTSC443	Chroma trap f0 Adj. (0: High, 1: Low)	0 ~ 15	10	
	– 24	R0_HUE_NTSC	Tint Control (for 60Hz)	0 ~ 63	35	
	– 25	R1_COLOR	Color Control	0 ~ 63	20	
	– 26	R2_SHARPNESS	Sharpness Control	0 ~ 63	5	
	– 27	R3_SUBCOLOR_NTSC	Sub Color Control	0 ~ 15	3	
	– 28	R3_SUBCOLOR_PAL	Sub Color Control	0 ~ 15	6	
	– 29	R4_AFC	AFC Loop Gain Selector (0: High, 1: Medium)	0 / 1	0	
	– 30	R8_Y2_DRIVE	Y2 Output Gain Control	0 ~ 31	20	
	– 31	R9_U2_DRIVE	U2 Output Gain Control	0 ~ 31	15	
	– 32	R9_PRE_OVER	Setting of Preshoot to Overshoot ratio of sharpness	0 ~ 3	0	
	– 33	R10_V2_DRIVE	V2 Output Gain Control	0 ~ 31	15	
	– 34	R12_SCP_BGF	Setting of phase of BGP falling edge in SCP output	0 ~ 3	2	
	– 35	R12_SCP_BGR	Setting of phase of BGP rising edge in SCP output	0 ~ 3	3	
	– 36	R0_HUE_PAL	Tint Control (for 50Hz)	0 ~ 63	35	
S 1010	–	CXA2101AQ				
	– 0	R02_PICTURE	Picture Gain Control (RGB Move Together)	0 ~ 63	35	
	– 1	R05_BRIGHT	Main Brightness Control (RGB Move Together)	0 ~ 63	45	
	– 2	R07_R_DRIVE	R Drive Gain Control	0 ~ 63	35	
	– 3	A04_R-BLNK	R Cut-off Control	0 ~ 255	140	
	– 4	R09_B_DRIVE	B Drive Gain Control	0 ~ 63	35	
	– 5	A03_B-BLNK	B Cut-off Control	0 ~ 255	140	
	– 6	R13_SUB_BRIGHT	Setting for output DC bias of RGBOUT	0 ~ 63	63	
	– 7	R17_SUB_CONTRAST	Y Contrast Gain Control	0 ~ 15	2	
	– 8	R08_G_DRIVE	G Drive Gain Control	0 ~ 63	34	
	– 9	R03_SYSTEM	Signal Frequency Band Setting (0: NORMAL 1: FF 2: HD 3: FIX-HD)	0 ~ 3	0	
	– 10	R15_CR-OFFSET 1	For canceling offset between Cr of IN1 and SELIN systems	0 ~ 15	7	
	– 11	R15_CB-OFFSET 1	For canceling offset between Cb of IN1 and SELIN systems	0 ~ 15	7	
	– 12	R17_SUB-COL	Color Gain Control	0 ~ 15	5	
	– 13	R18_SUB_HUE	Hue Center Control	0 ~ 15	4	
	– 14	R18_CTI-LEVEL	Color difference Signal Edge Enhancement Setting (0: OFF, 1: Low, 2: Medium, 3: High)	0 ~ 3	3	
	– 15	R23_SUB-SHP	Sharpness Center Control	0 ~ 3	1	
	– 16	R23_SHP_F0	Sharpness f0 Setting	0 ~ 3	3	
	– 17	R23_PRE_OVER	Preshoot to Overshoot Ratio Setting (0: PRE : OVER 1 : 1.3 , 3: PRE : OVER 3 : 1)	0 ~ 3	1	
	– 18	R23_LTI_LEVEL	Luminance Signal Edge Enhancement Setting (0: OFF, 1: Low, 2: Medium, 3: High)	0 ~ 3	0	
	– 19	R24_D_PIC	Dynamic picture (Black Expansion) Control (0: OFF, 1: Low : inflection point 30 IRE) (2 : Medium : 35 IRE 3: High : 40 IRE)	0 ~ 3	0	
	– 20	R24_R-Y/R_NTSC	R-Y axis + (R-Y) component setting (0: Max, 15: Min)	0 ~ 15	6	
	– 21	R24_R-Y/B_NTSC	R-Y axis - (B-Y) component setting (0: Max, 15: Min)	0 ~ 15	5	
	– 22	R24_G-Y/R_NTSC	G-Y axis - (R-Y) component setting (0: Max, 15: Min)	0 ~ 15	8	
	– 23	R24_G-Y/B_NTSC	G-Y axis + (B-Y) component setting (0: Max, 15: Min)	0 ~ 15	10	
	– 24	R24_R-Y/R_PAL	R-Y axis + (R-Y) component setting (0: Max, 15: Min)	0 ~ 15	13	
	– 25	R24_R-Y/B_PAL	R-Y axis - (B-Y) component setting (0: Max, 15: Min)	0 ~ 15	15	
	– 26	R24_G-Y/R_PAL	G-Y axis - (R-Y) component setting (0: Max, 15: Min)	0 ~ 15	0	
	– 27	R24_G-Y/B_PAL	G-Y axis + (B-Y) component setting (0: Max, 15: Min)	0 ~ 15	0	
	– 28	R24_R-Y/R_SECAM	R-Y axis + (R-Y) component setting (0: Max, 15: Min)	0 ~ 15	13	
	– 29	R24_R-Y/B_SECAM	R-Y axis - (B-Y) component setting (0: Max, 15: Min)	0 ~ 15	15	
	– 30	R24_G-Y/R_SECAM	G-Y axis - (R-Y) component setting (0: Max, 15: Min)	0 ~ 15	8	
	– 31	R24_G-Y/B_SECAM	G-Y axis + (B-Y) component setting (0: Max, 15: Min)	0 ~ 15	4	
	– 32	R06_SHARPNESS	Sharpness Gain Control	0 ~ 63	32	
	– 33	EH	Availability of Independent H Input selected by INPUT-SEL	0 / 1	1	
	– 34	EV	Availability of Independent V Input selected by INPUT-SEL	0 / 1	1	
	– 35	IK	AKB Loop Operation Status	0 / 1	0	
S 1020	–	UPD64082				
	– 0	R04_DYCOR	DY detect coring level (Y movement detect coring)	0 ~ 15	4	
	– 1	R04_DYGAIN	DY detect gain (Y movement detect gain)	0 ~ 15	15	
	– 2	R05_DCCOR	DC detect coring level (C movement detect coring)	0 ~ 15	2	
	– 3	R05_DCGAIN	DC detect gain (C movement detect gain)	0 ~ 15	13	
S 1030	–	DAC				
	– 0	A12_G_DETAIL	DAC A12 G Pedestal Adj.	0 ~ 100	0	
	– 1	R1_COLOR	CXA2019AQ Color Adj. (same as item 1000-25)	0 ~ 63	20	
	– 2	R0_HUE_NTSC	CXA2019AQ Tint Adj. (for 60Hz) (same as item 1000-24)	0 ~ 63	35	

Waveforms



Control Port Functions

System Control & I/O Port Table (IC801, HD64F7045)

Pin No.	Name	Function Name	Function	Polarity	I/O
1	PA23/WRHH	USB RESET	USB Reset signal	Active L	O
2	PE14/TIOC4C/DACK0/AH				O
3	PA22/WRHL				O
4	PA21/CASHH	RS232C_SW	RS232C Output select signal	always L	O
5	PE15/TIOC4D/DACK1/IRQOUT	POWER SW	"L":Power OFF "H":Power ON		O
6	VSS	GND			O
7	PC0/A0	ADDRESS0	Address Bus 0		O
8	PC1/A1	ADDRESS1	Address Bus 1		O
9	PC2/A2	ADDRESS2	Address Bus 2		O
10	PC3/A3	ADDRESS3	Address Bus 3		O
11	PC4/A4	ADDRESS4	Address Bus 4		O
12	VCC	5V			O
13	PC5/A5	ADDRESS5	Address Bus 5		O
14	VSS	GND			O
15	PC6/A6	ADDRESS6	Address Bus 6		O
16	PC7/A7	ADDRESS7	Address Bus 7		O
17	PC8/A8	ADDRESS8	Address Bus 8		O
18	PC9/A9	ADDRESS9	Address Bus 9		O
19	PC10/A10	ADDRESS10	Address Bus 10		O
20	PC11/A11	ADDRESS11	Address Bus 11		O
21	PC12/A12	ADDRESS12	Address Bus 12		O
22	PC13/A13	ADDRESS13	Address Bus 13		O
23	PC14/A14	ADDRESS14	Address Bus 14		O
24	PC15/A15	ADDRESS15	Address Bus 15		O
25	PB0/A16	ADDRESS16	Address Bus 16		O
26	VCC	5V			O
27	PB1/A17	ADDRESS17	Address Bus 17		O
28	VSS	GND			O
29	PA20/CASHL	SCL 1	IIC Bus 1 Clock		I/O
30	PA19/BACK/DRAK1	SDA 1	IIC Bus 1 Data		I/O
31	PB2/IRQ0/POE0/RAS				O
32	PB3/IRQ1/POE1/CASL				O
33	PA18/BREQ/DRAK0	SYS SW	IC on/off Switch (ON="L", OFF="H")		O
34	PB4/IRQ2/POE2/CASH	AFT-V	V SYNC Input (LCD Panel Drive)	Active L	I
35	VSS	GND			O
36	PB5/IRQ3/POE3/RDWR				I
37	PB6/IRQ4/A18/BACK	ADDRESS18	Address Bus 18		O
38	PB7/IRQ5/A19/BREQ	ADDRESS19	Address Bus 19		O
39	PB8/IRQ6/A20/WAIT	ADDRESS20	Address Bus 20		O
40	VCC	5V			O
41	PB9/IRQ7/A21/ADTRG	ADDRESS21	Address Bus 21		O
42	VSS	GND			O
43	PA14/RD	READ	Read Signal	Active L	O
44	WDTOVF				O
45	PD31/D31/ADTRG	RTS	RS232C RTS (Request To Send)		O
46	PD30/D30/IRQOUT	CTS	RS232C CTS (Clear To Send)		I
47	PA13/WRH				O
48	PA12/WRL	WRL	Write Signal (L-8Bit)	Active L	O
49	PA11/CS1	CS1			O
50	PA10/CS0	CS0	Flash Memory Chip Select	Active L	O
51	PA9/TCLKD/IRQ3	SCL 2	IIC Bus 2 Clock		I/O
52	PA8/TCLKC/IRQ2	SDA 2	IIC Bus 2 Data		I/O
53	PA7/TCLKB/CS3	CS3	USB/IP/I/O EXP/SRAM/FIFO/SW/GH Chip Select	Active L	O
54	PA6/TCLKA/CS2	CS2	CXD35110/P-FAIL Chip Select	Active L	O
55	VSS	GND			O
56	PD29/D29/CS3				O
57	PD28/D28/CS2	PW_SEL	PW365 232C Select(SH="H",PIXEL="L")		O
58	PD27/D27/DACK1	PW_INTR	PW365 Interrupt Signal		O
59	PD26/D26/DACK0	PW_OUT1	PW365 Data Output		O
60	PD25/D25/DREQ1	PW_OUT0	PW365 Data Output		O
61	VSS	GND			O
62	PD24/D24/DREQ0	FPGA_READ	SW FPGA Read		O
63	VCC	5V			O
64	PD23/D23/IRQ7				O
65	PD22/D22/IRQ6				O
66	PD21/D21/IRQ5				O
67	PD20/D20/IRQ4	SCONF_DONE	Enhancer/FPGA Config Done Signal		I/O
68	PD19/D19/IRQ3	SSTATUS	Enhancer/FPGA Status Signal		I/O
69	PD18/D18/IRQ2	PW_IN1	PW365 Data Input		I
70	PD17/D17/IRQ1	PW_IN0	PW365 Data Input		I
71	VSS	GND			O

Control Port Functions

Pin No.	Name	Function Name	Function	Polarity	I/O
72	PD16/D16/IRQ0	PW_PG_SEL	PW365 232C Write SW(SH="H",PIXEL="L")		I
73	PD15/D15	DATA15	Data Bus 15		I/O
74	PD14/D14	DATA14	Data Bus 14		I/O
75	PD13/D13	DATA13	Data Bus 13		I/O
76	PD12/D12	DATA12	Data Bus 12		I/O
77	VCC	5V			
78	PD11/D11	DATA11	Data Bus 11		I/O
79	VSS	GND			
80	PD10/D10	DATA10	Data Bus 10		I/O
81	PD9/D9	DATA9	Data Bus 9		I/O
82	PD8/D8	DATA8	Data Bus 8		I/O
83	PD7/D7	DATA7	Data Bus 7		I/O
84	PD6/D6	DATA6	Data Bus 6		I/O
85	VCC	5V			
86	PD5/D5	DATA5	Data Bus 5		I/O
87	VSS	GND			
88	PD4/D4	DATA4	Data Bus 4		I/O
89	PD3/D3	DATA3	Data Bus 3		I/O
90	PD2/D2	DATA2	Data Bus 2		I/O
91	PD1/D1	DATA1	Data Bus 1		I/O
92	PD0/D0	DATA0	Data Bus 0		I/O
93	VSS	GND			
94	XTAL	XTAL	OSC Signal Input		I
95	MD3	Mode-3	Mode-3		I
96	EXTAL	EXTAL	OSC Signal Output		O
97	MD2	Mode-2	Mode-2		I
98	NMI	NONMASK	NONMASK Interrupt Signal Input		I
99	VCC (FWP)	FWP	Flash Memory Write Mode		I
100	PA16/AH	FLASH MODE	FWP Control		O
101	PA17/WAIT				O
102	MD1	Mode-1	Mode-1	Always H	I
103	MD0	Mode-0	Mode-0	Always L	I
104	PLLVCC	PLLVCC	PLL Vcc		
105	PLLCAP	PLLCAP	PLL Filter		
106	PLLSS	PLLGND	PLL Gnd		
107	PA15/CK	M-CLK	CPU Clock Output (Auto Image FPGA)		O
108	RES	Reset	Reset	Active L	I
109	PE0/TIOC0A/DREQ0	PCTL	CXD3511Q Strobe Signal		O
110	PE1/TIOC0B/DRAK0	SCL 6	IIC Bus 6 Clock		I/O
111	PE2/TIOC0C/DREQ1	SDA 6	IIC Bus 6 Data		I/O
112	VCC	5V			
113	PE3/TIOC0D/DRAK1	SDA 3	IIC Bus 3 Data		I/O
114	PE4/TIOC1A	SCL 3	IIC Bus 3 Clock		I/O
115	PE5/TIOC1B	SDA 4	IIC Bus 4 Data		I/O
116	PE6/TIOC2A	SCL 4	IIC Bus 4 Clock		I/O
117	VSS	GND			
118	PF0/AN0	KEY1	Top Control Keys-1 (A/D Input)		I
119	PF1/AN1	KEY2	Top Control Keys-2 (A/D Input)		I
120	PF2/AN2	KEY3	Top Control Keys-3 (A/D Input)		I
121	PF3/AN3	OPT1	Logo Mark (A/D Input)		I
122	PF4/AN4	Press Sensor	Atmospheric Pressure Sensor		I
123	PF5/AN5	Temp Sensor	Thermistor		I
124	AVSS	GND	A / D Gnd		
125	PF6/AN6	POWER FAIL	Power Fail (L : Abnormality)		I
126	PF7/AN7	SDATA IN	Serial DATA IN		I
127	AVREF	5V	5V A / D REF.		
128	AVCC	5V	5V A / D Vcc		
129	VSS	GND			
130	PA0/RXD0	SH_RX	PW365 Rx		I
131	PA1/TXD0	SH_TX	PW365 Tx		O
132	PA2/SCK0/DREQ0/IRQ0	USB Connect	USB Connection		I
133	PA3/RXD1	Rx	RS232C Rx		I
134	PA4/TXD1	Tx	RS232C Tx		O
135	VCC	5V			
136	PA5/SCK1/DREQ1/IRQ1	USB INTR	USB Interrupt Signal Input	Active L	I
137	PE7/TIOC2B	SDA 5	IIC Bus 5 Data		I/O
138	PE8/TIOC3A	SCL 5	IIC Bus 5 Clock		I/O
139	PE9/TIOC3B	SDATA OUT	Enhancer/FIFO/SW/GH Data Output Signal		O
140	PE10/TIOC3C	SCLK	Enhancer/FIFO/SW/GH Clock Output Signal		O
141	VSS	GND			
142	PE11/TIOC3D	EXP RESET	I / O Expander Reset Signal	Active H	O
143	PE12/TIOC4A	R/C	R / C Input	Active L	I
144	PE13/TIOC4B/MRES	PW RESET	PW365 Reset Signal	Active L	O

● I/O Expander (IC1801, M66501)

Pin No.	Name	Function Name	Function	Polarity	I/O
1	PA1	SW_DVI	DVI Select SW	Digital= "L"	O
2	PA0	IP_OUT_SW	IP Select SW	CG= "H"	O
3	Vcc	Vcc	5V ±10%		-
4	RD	READ_CPU	Read Select	Active "L"	I
5	WR	WRITE_CPU	Write Select	Active "L"	I
6	CS	CS_EXP	Chip Select	Active "L"	I
7	RESET	EXP_RST	Reset	Active "H"	I
8	GND1	GND			-
9	A2	A2CPU	Port Select 2		I
10	A1	A1CPU	Port Select 1		I
11	A0	A0CPU	Port Select 0		I
12	D0	D0CPU	Data Bus 0		I/O
13	D1	D1CPU	Data Bus 1		I/O
14	D2	D2CPU	Data Bus 2		I/O
15	D3	D3CPU	Data Bus 3		I/O
16	D4	D4CPU	Data Bus 4		I/O
17	D5	D5CPU	Data Bus 5		I/O
18	D6	D6CPU	Data Bus 6		I/O
19	D7	D7CPU	Data Bus 7		I/O
20	PC7	SLOT_SEL1	Slot select 1		O
21	PC6	SLOT_SEL2	Slot select 2		O
22	PC5				O
23	PC4	AUDIO_MUTE	Mute Output		O
24	PC0	LAMP1	PFC 1 On/Off SW	ON = H	O
25	PC1	LAMP2	PFC 2 On/Off SW	ON = H	O
26	PC2	LAMP3	PFC 3 On/Off SW	ON = H	O
27	PC3	LAMP4	PFC 4 On/Off SW	ON = H	O
28	PG0	LAMP1_ERR	Lamp monitor 1	Abnormality "H"	I
29	PG1	LAMP_ERR	Lamp monitor 2	Abnormality "H"	I
30	PG2	LAMP3_ERR	Lamp monitor 3	Abnormality "H"	I
31	PG3	LAMP4_ERR	Lamp monitor 4	Abnormality "H"	I
32	GND2	GND			-
33	PF0	TEMP_LED	Temp Warning LED Drive	LED ON = "L"	O
34	PF1	LAMP_LED	Lamp Replacement LED Drive	LED ON = "L"	O
35	PF2	READY_LED	Ready LED Drive	LED ON = "L"	O
36	PF3	SP_OFF	Speaker on/off Switch	"L":ON "H":OFF	O
37	PF4	BLAST_SW2	Lamp Ballast 2 On/Off SW	ON = H	O
38	PF5	BLAST_SW1	Lamp Ballast 1 On/Off SW	ON = H	O
39	PF6	BLAST_SW3	Lamp Ballast 3 On/Off SW	ON = H	O
40	PF7	BLAST_SW4	Lamp Ballast 4 On/Off SW	ON = H	O
41	Vcc	Vcc	5V ±10%		-
42	PE0	LENS_UP	Lens Up		O
43	PE1	LENS_DOWN	Lens Down		O
44	PE2	LENS_RIGHT	Lens Right		O
45	PE3	LENS_LEFT	Lens Left		O
46	PE4	FOCUS+	Focus +		O
47	PE5	FOCUS-	Focus -		O
48	PE6	ZOOM+	Zoom +		O
49	PE7	ZOOM-	Zoom -		O
50	GND3	GND			-
51	PB0	LENS_TOP	Lens Top Detection	Top= "L"	I
52	PB1	LENS_VC	Lens U/D Center Detection	Center= Edge	I
53	PB2	LENS_BOT	Lens Bottom Detection	Bottom= "L"	I
54	PB3	LENS_RE	Lens Right Detection	Right= "L"	I
55	PB4	LENS_HC	Lens R/L Detection	Center= Edge	I
56	PB5	LENS_LE	Lens Left Detection	Left= "L"	I
57	PB6	INIT_SW_FPGA			I
58	PB7	DONE_SW_FPGA			I
59	PA7	RC_CTL0			O
60	PA6	PW_OUT_SW			O
61	PA5	C_ON			O
62	PA4	PANEL_ON			O
63	PA3	RC_CTL1			O
64	PA2	-			-

● Parallel Bus I/O Expander

IC Ref. No	Pin	I/O	Signal Name	Function	Note
Main Board IC4841 74ACT541	2	I	PF_5V	Power Fail	
	3	I	PF_9V	Power Fail	
	4	I	PF_S9V	Power Fail	
	5	I	PF_-5V	Power Fail	
	6	I	PF_16V	Power Fail	
	7	I	PF_TH	Power Fail	Temperature SW and lamp cover SW
	8	I	PF_12VA	Power Fail	
	9	I	PF_PFC1	Power Fail	
	Main Board IC4842 74ACT541	2	I	PF_PFC2	Power Fail
3		I	PF_PFCFAN1	Power Fail	
4		I	PF_PFC3	Power Fail	
5		I	PF_PFC4	Power Fail	
6		I	PF_PFCFAN2	Power Fail	
7		I	PF_M&A	Power Fail	Motor and Audio board
8		I	PF_K8G	Power Fail	Lamp fannet board
9		I	-		
Main Board IC4843 74ACT541		2	I	PF_VCCFAN1	Power Fail
	3	I	PF_VCCFAN2	Power Fail	
	4	I	PF_VCCFAN3	Power Fail	
	5	I	PF_VCCFAN4	Power Fail	
	6	I	PF_FAN1	Power Fail	
	7	I	PF_FAN2	Power Fail	
	8	I	PF_FAN3	Power Fail	
	9	I	PF_FAN4	Power Fail	
	Main Board IC4844 74ACT541	2	I	PF_15.5V	Power Fail
3		I	PF_13.5V	Power Fail	
4		I	PF_3.3V	Power Fail	
5		I	PF_2.5V	Power Fail	
6		I	PF_1.8V	Power Fail	
7		I	PF_1.5V	Power Fail	
8		I	-		
9		I	-		
Main Board IC1822 74LVC374		2	O	FPGA2_NCONFIG	
	5	O	IP_RESET		
	6	O	PRGRAM_FPGA		
	9	O	USB_BRST		
	12	O	GAMSH_CS		
	15	O	FPGA2_CLB		
	16	O	FPGA2_HZ		
	19	O	STB_FPGASW		

● IIC Bus I/O Expander and D/A Converter

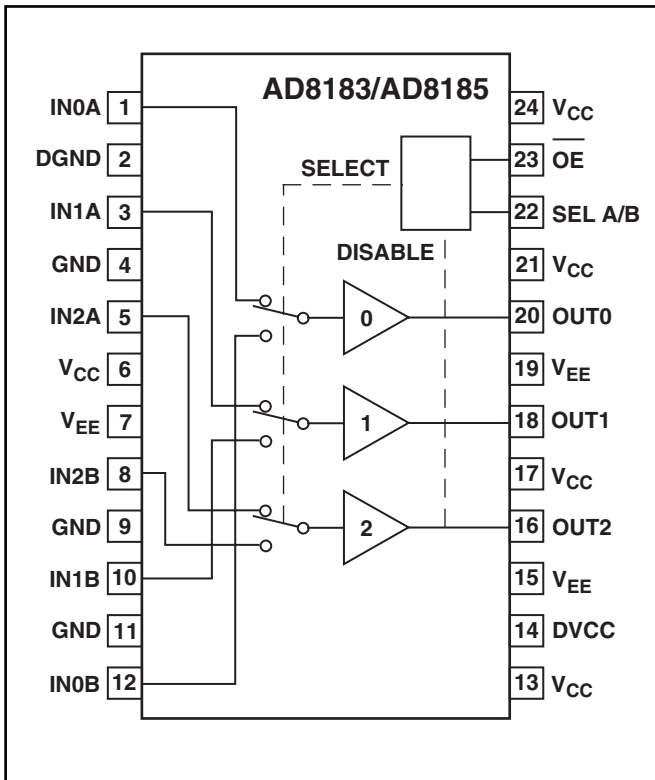
IC Ref. No	Pin	I/O	Signal Name	Function	Note
Main Board IC7801 M62399	4	O	DACFANSW1		
	5	O	DACFANSW2		
	6	O	DACFANSW3		
	7	O	DACFANSW4		
	12	O	DACFANCONT1		
	13	O	DACFANCONT2		
	14	O	DACFANCONT3		
	15	O	DACFANCONT4		
	18	I	CS2	Slave address setting port_2 (GND)	
	19	I	CS1	Slave address setting port_1 (GND)	
20	I	CS0	Slave address setting port_0 (GND)		
CG Mother Board IC9021 M62320	4	I	M-IDA1	Slot 1 Type Detection 1	
	5	I	M-IDA2	Slot 2 Type Detection 1	
	6	I	M-IDA3	Slot 3 Type Detection 1	
	7	I	M-IDA4	Slot 4 Type Detection 1	
	9	I	M-IDB1	Slot 1 Type Detection 2	
	10	I	M-IDB2	Slot 2 Type Detection 2	
	11	I	M-IDB3	Slot 3 Type Detection 2	
	12	I	M-IDB4	Slot 4 Type Detection 2	
	14	I	CS2	Slave address setting port_2 (GND)	
	15	I	CS1	Slave address setting port_1 (GND)	
16	I	CS0	Slave address setting port_0 (GND)		
CG Mother Board IC9022 M62320	4	I	M-IDC1	Slot 1 Type Detection 3	
	5	I	M-IDC2	Slot 2 Type Detection 3	
	6	I	M-IDC3	Slot 3 Type Detection 3	
	7	I	M-IDC4	Slot 4 Type Detection 3	
	9	I	SLOT1 ID	Slot 1 Detection	
	10	I	SLOT2 ID	Slot 2 Detection	
	11	I	SLOT3 ID	Slot 3 Detection	
	12	I	SLOT4 ID	Slot 4 Detection	
	14	I	CS2	Slave address setting port_2 (Vdd)	
	15	I	CS1	Slave address setting port_1 (GND)	
16	I	CS0	Slave address setting port_0 (GND)		
DVI Board IC8181 M62320	4	I	SCDT_DIF		
	5	O	PD		
	6	I	P_FAIL_5V/9V		
	7	O	DDC_WRITE		
	9	O	MOUSE/CPU_SW2		
	10	I	CTL3		
	11	O	RESET		
	12	O	HDCP_SW		
	14	I	CS2	Slave address setting port_2 (GND)	
	15	I	CS1	Slave address setting port_1 (GND)	
16	I	CS0	Slave address setting port_0 (GND)		
DVI Board IC8082 M62320	4	O	VS_DET		
	5	O	SYNC_ID		
	6	O	A_D		
	7	O	PC/AD_SW		
	9	-			
	10	O	F_C		
	11	O	HD_NTSC_SW		
	12	O	SCART_SW		
	14	I	CS2	Slave address setting port_2 (GND)	
	15	I	CS1	Slave address setting port_1 (GND)	
16	I	CS0	Slave address setting port_0 (Vdd)		

● IIC Bus I/O Expander and D/A Converter

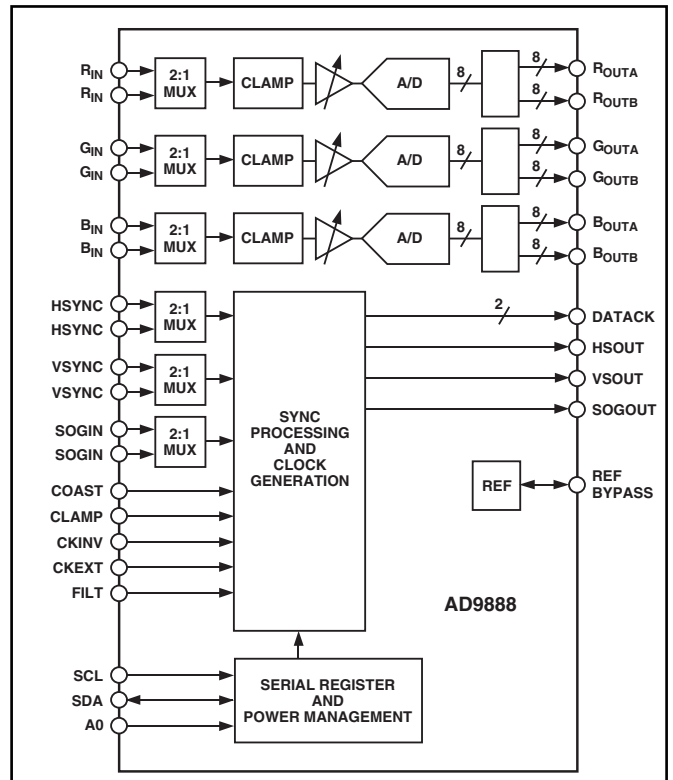
IC Ref. No	Pin	I/O	Signal Name	Function	Note
Component Board IC2081 M62320	4	I	H_SYNC_SW		
	5	O	D1		
	6	I	P_FAIL_5V/9V1		
	7	O	D3		
	9	O	MOUSE/CPU_SW		
	10	O	D5		
	11	I	D6		
	12	O	CG_SW		
	14	I	CS2	Slave address setting port_2 (GND)	
	15	I	CS1	Slave address setting port_1 (GND)	
16	I	CS0	Slave address setting port_0 (GND)		
AV Board IC2141 M62398	4	O	NTSC/PAL		
	5	O	CV/YC		
	6	O	NR_SW		
	7	O	SW_4		
	8	O	MSV_SW		
	9	O	G_BLNK_DC		
	14	O	SW_2+3		
	15	O	WB_Hi		
	16	O	B_BLNK_DC		
	17	O	R_BLNK_DC		
	18	O	PAL-M_Hi		
	19	O	PAL-N_Hi		
	22	I	CS2	Slave address setting port_2 (GND)	
	23	I	CS1	Slave address setting port_1 (GND)	
24	I	CS0	Slave address setting port_0 (GND)		
AV Board IC2142 M62320	4	O	MDD_2		
	5	O	MDD_1		
	6	O	PNR		
	7	O	NT/PAL_2		
	9	O	NT/PAL_1		
	10	I	SECAM		
	11	I	P_FAIL_3.3V		
	12	O	S_SW		
	14	I	CS2	Slave address setting port_2 (GND)	
	15	I	CS1	Slave address setting port_1 (GND)	
16	I	CS0	Slave address setting port_0 (Vdd)		
D-SUB15 Board IC7172 M62320	4	O	V_SYNC_SW		
	5	I	SYNC_DET		
	6	O	P_FAIL_5V/9V		
	7	O	D3		
	9	O	MOUSE/CPU_SW2		
	10	O	FILTER_SW		
	11	O	D6		
	12	-			
	14	I	CS2	Slave address setting port_2 (GND)	
	15	I	CS1	Slave address setting port_1 (GND)	
16	I	CS0	Slave address setting port_0 (GND)		

IC Block Diagrams

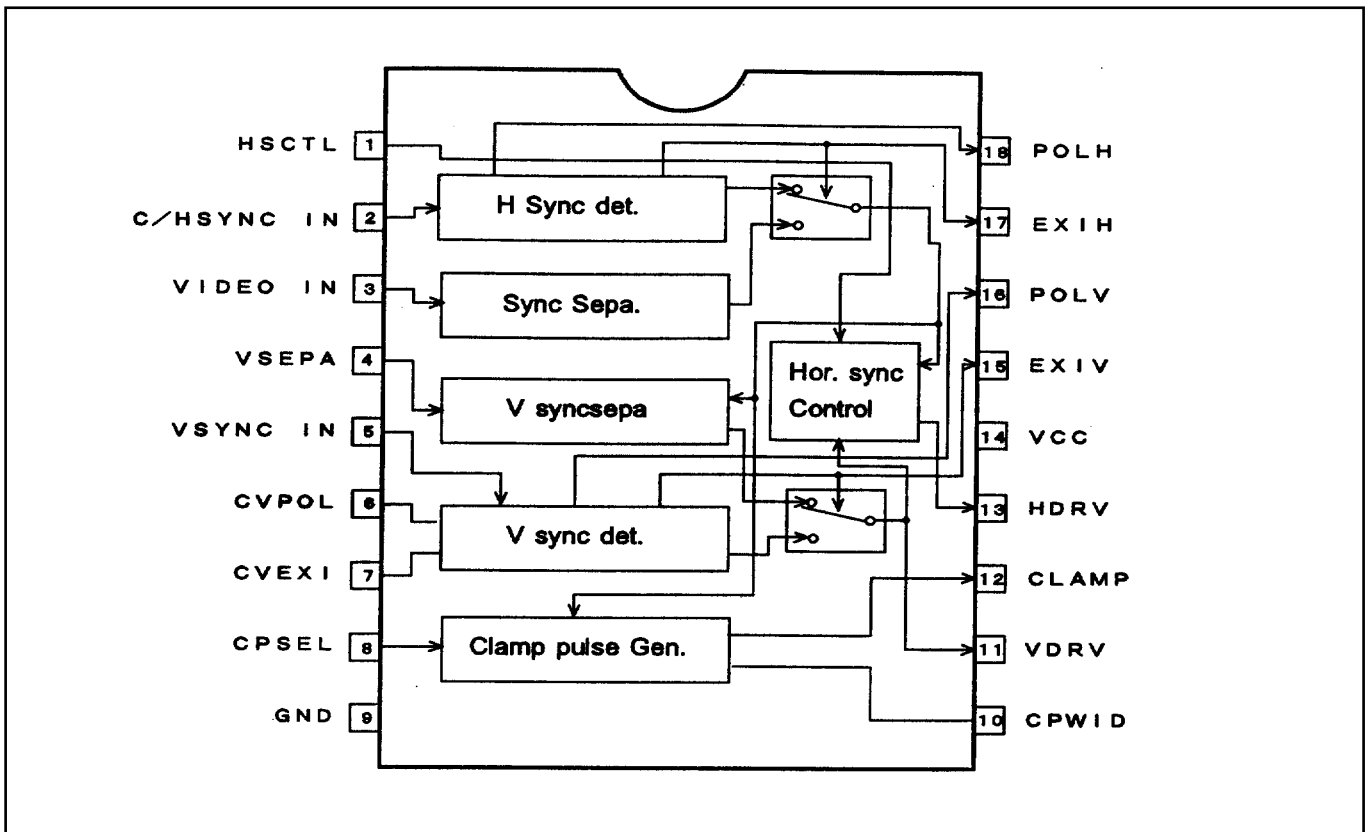
● AD8183ARU <Selector, IC2071>



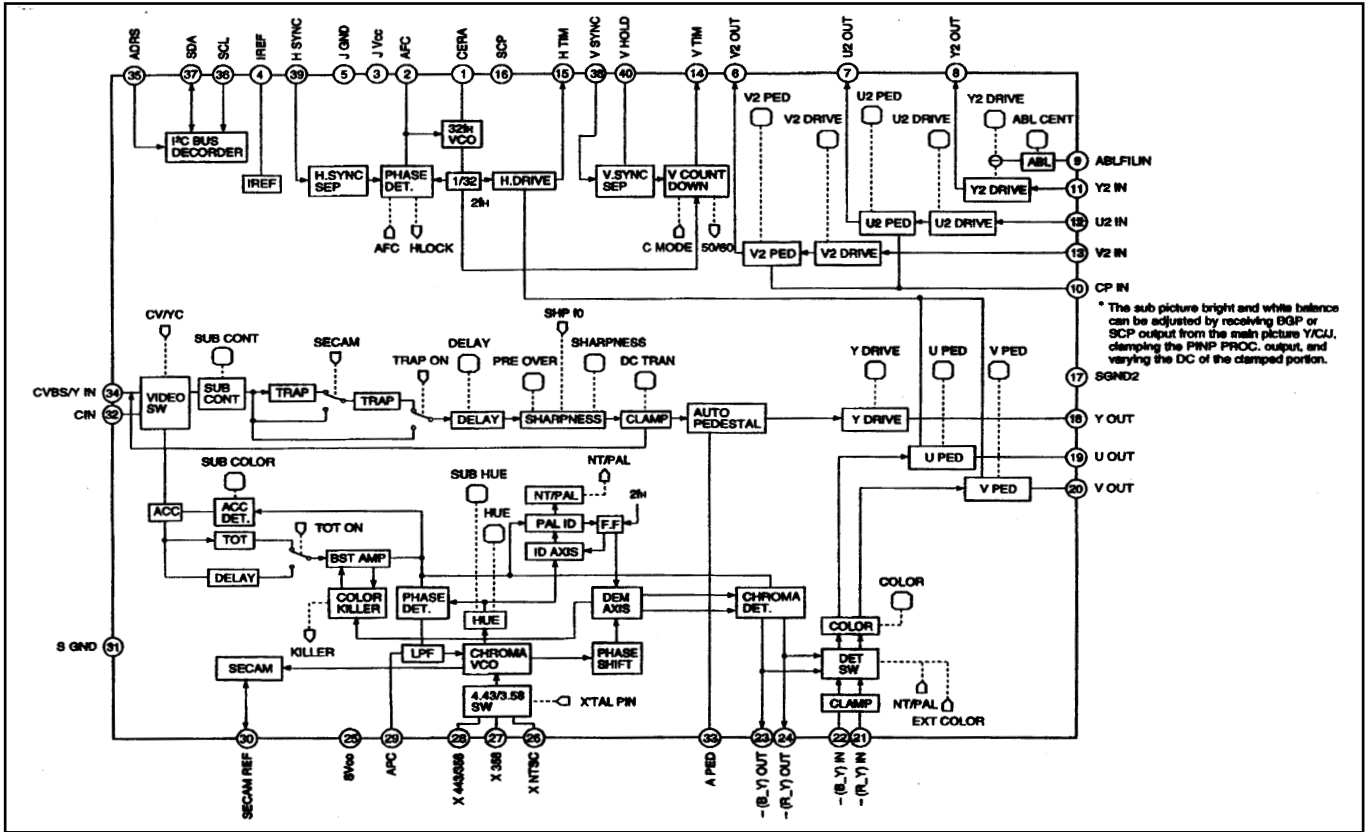
● AD9888KS <Analog Flat Panel Interface, IC2201>



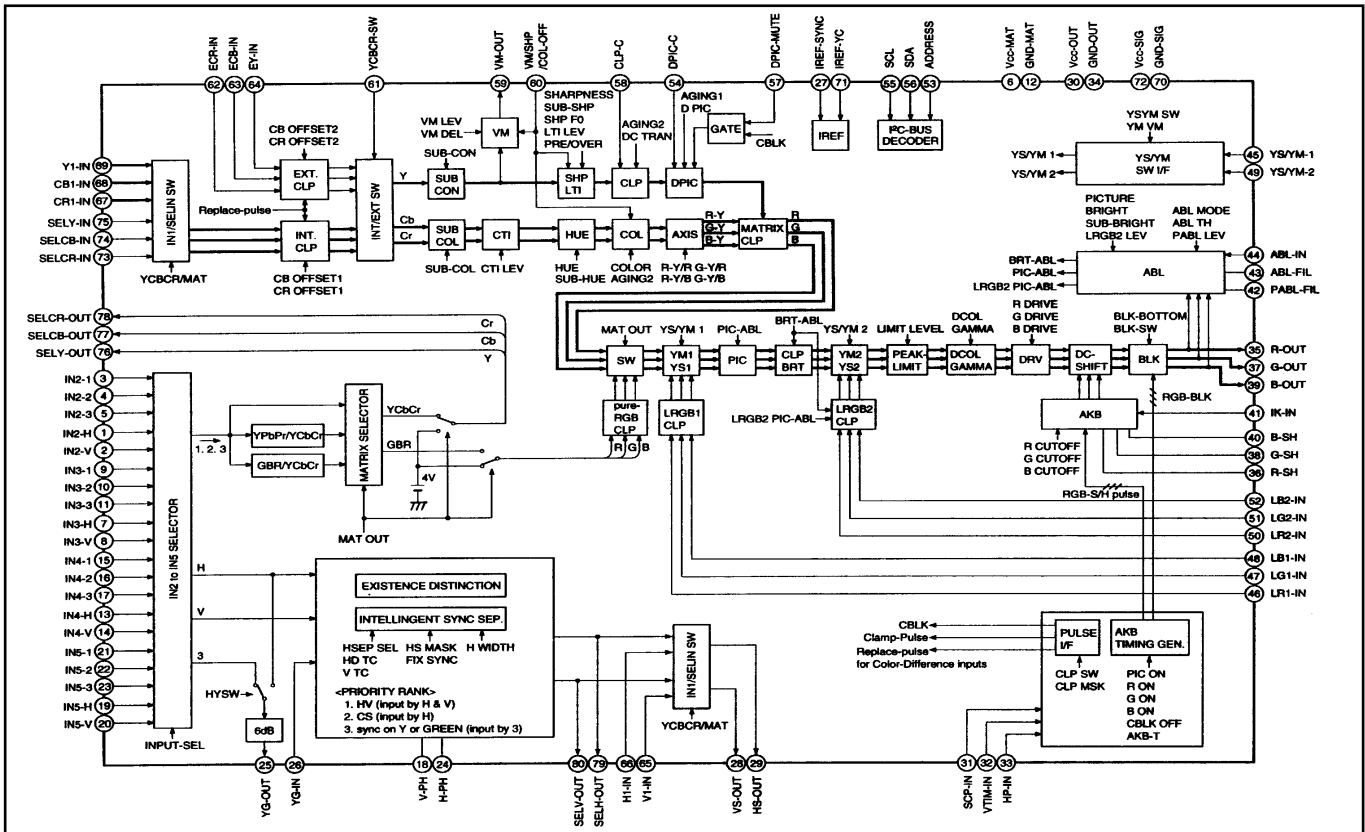
● BA7078AF <Sync Detector, C1051, IC8021>



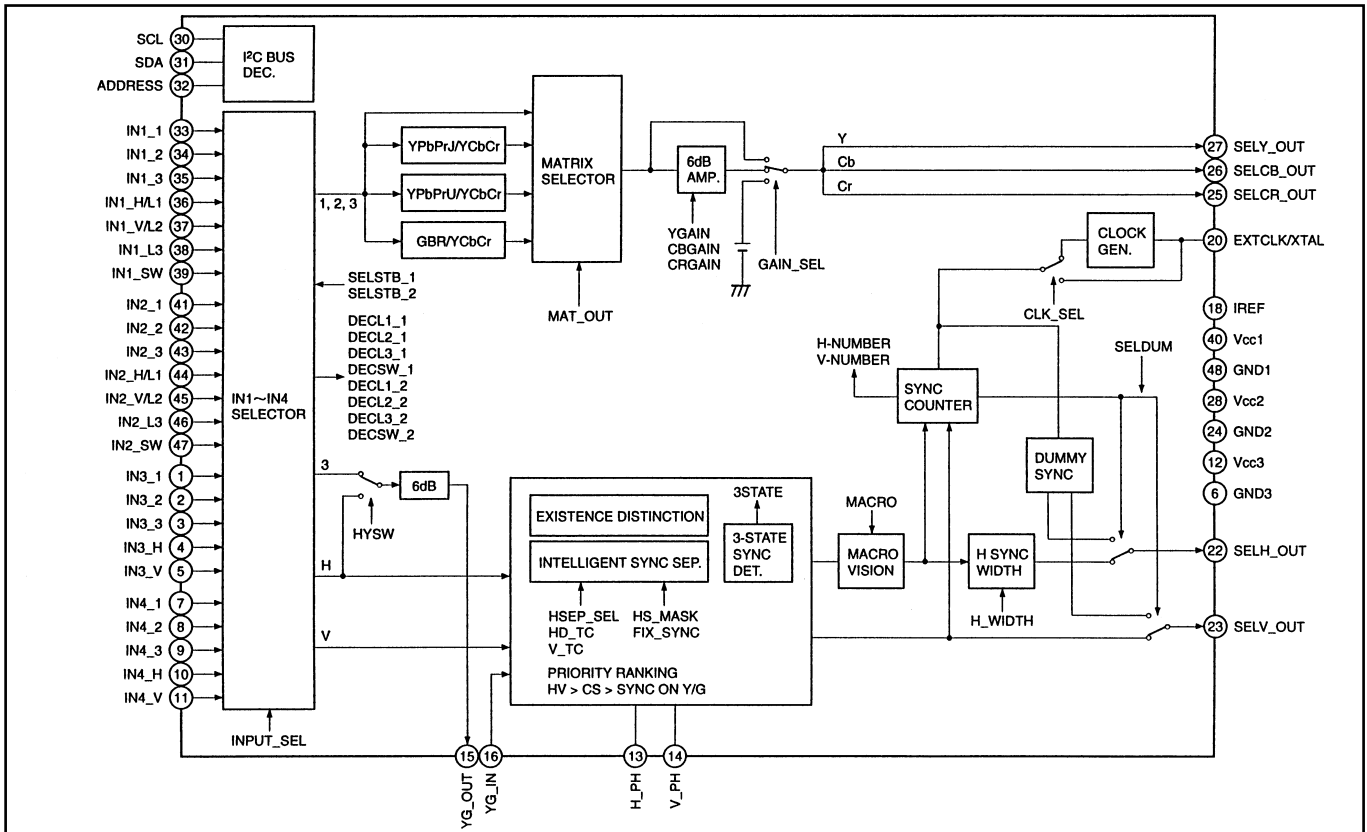
● CXA2019AQ <Video Decoder, IC3141>



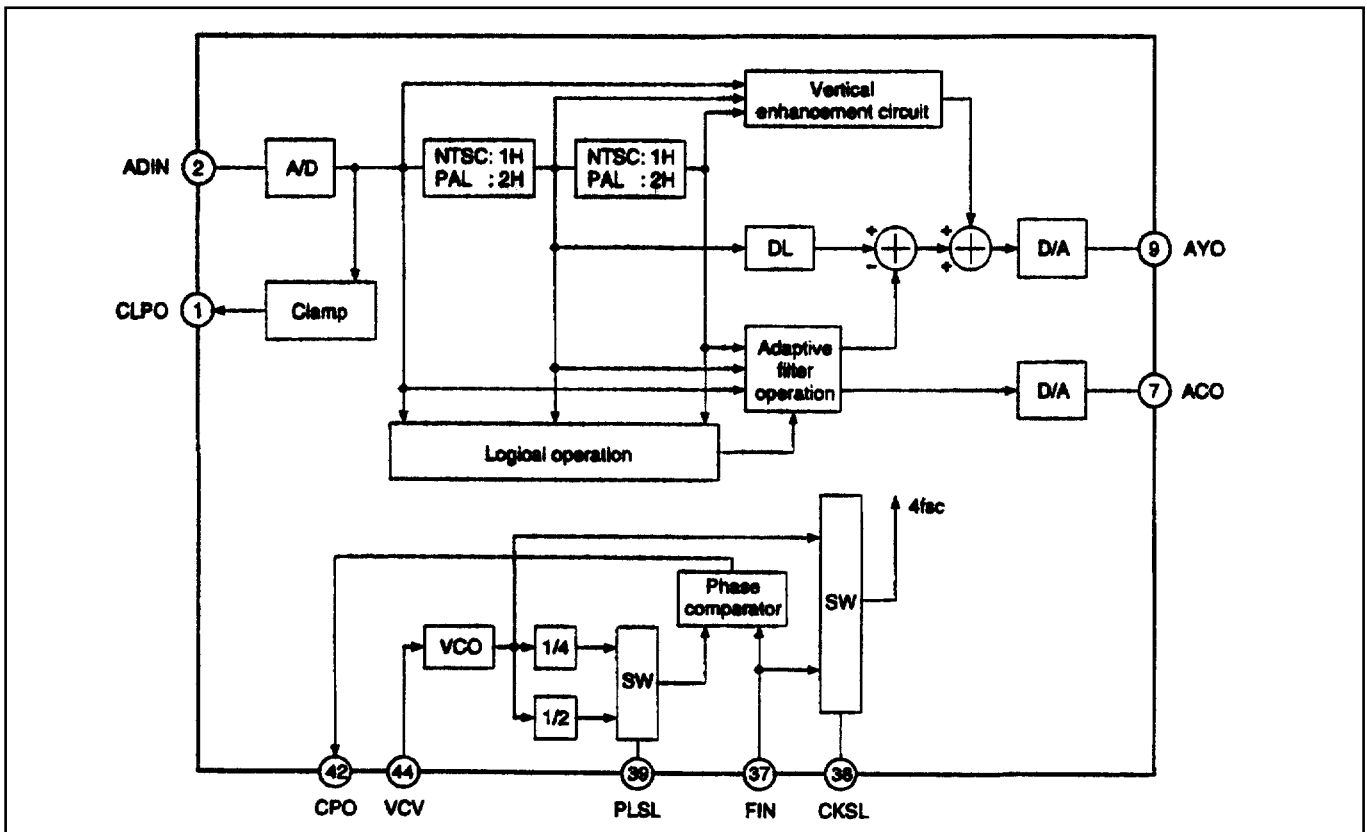
● CXA2101AQ <Multi-Component Processor, IC4101>



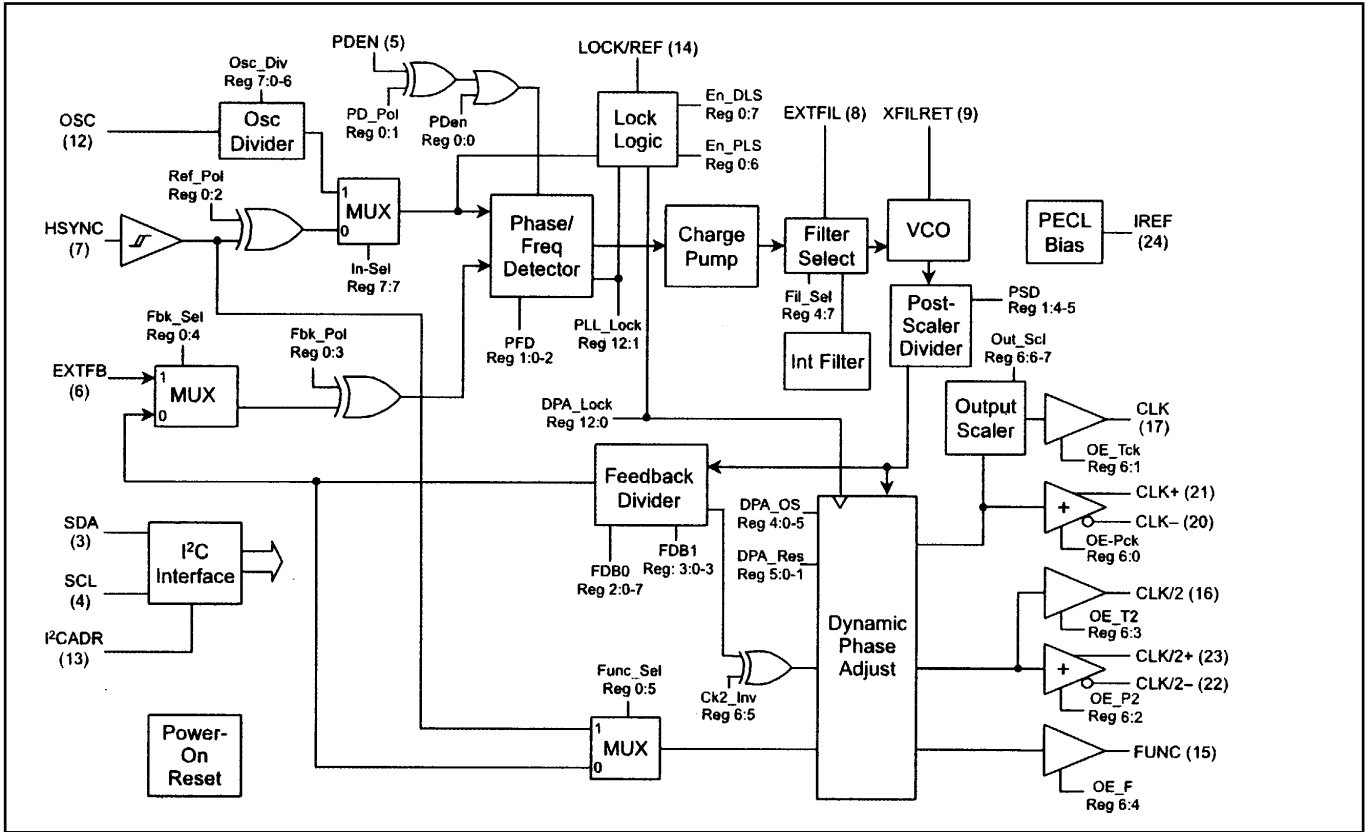
● CXA2151Q <RGB Matrix, IC2261>



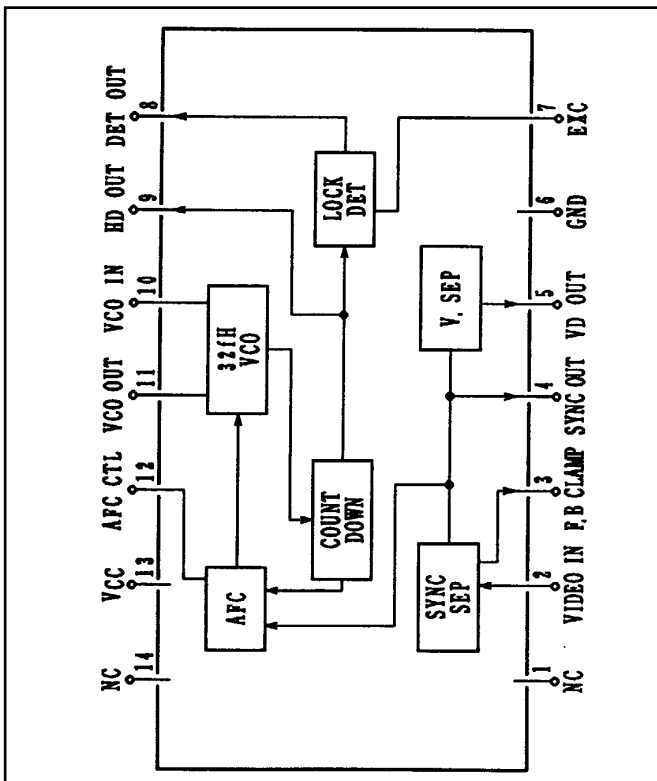
● CXD2064Q <3 Line Y/C Separator, IC2101>



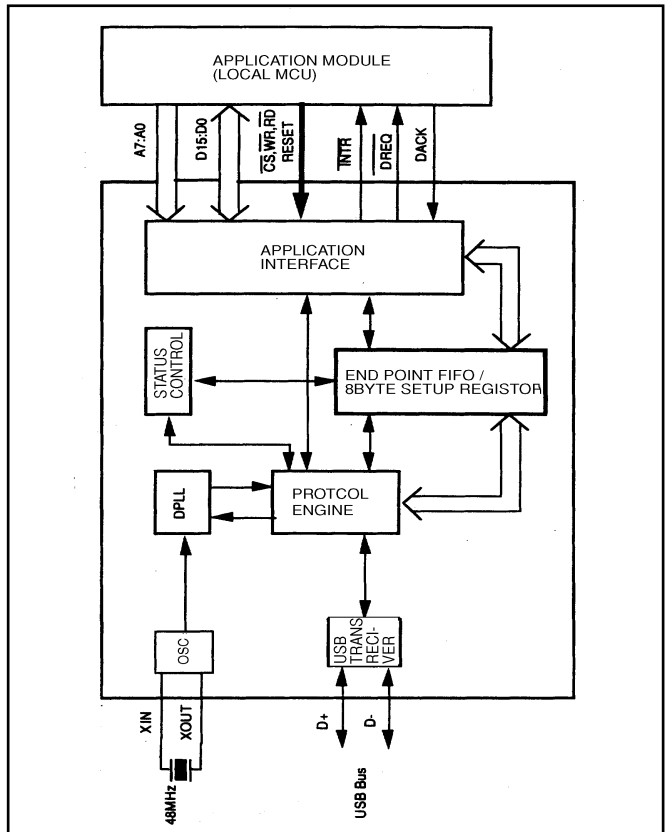
● ICS1523M <Clock Driver, IC4231>



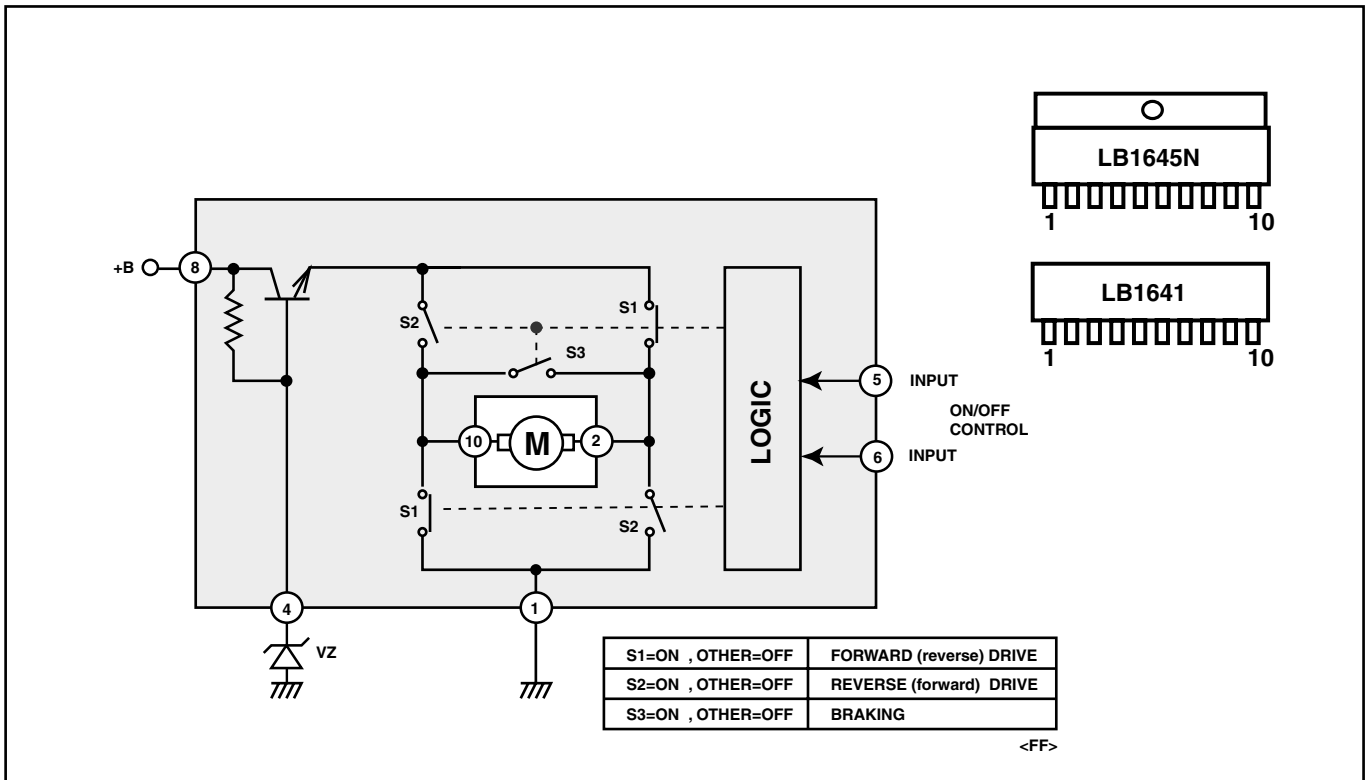
● LA7217 <Sync Separator, IC2051, IC8041>



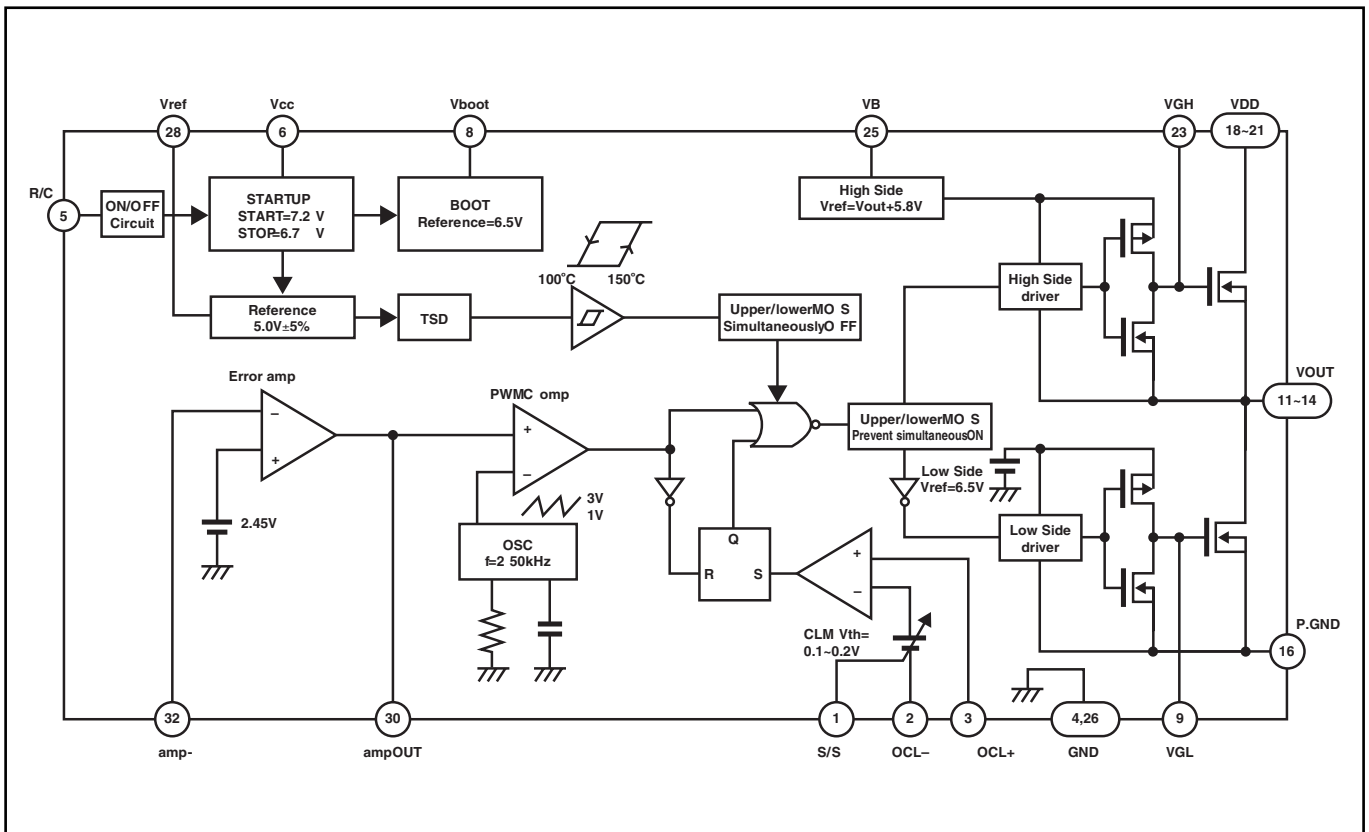
● ML60851 <USB Interface, IC9801>



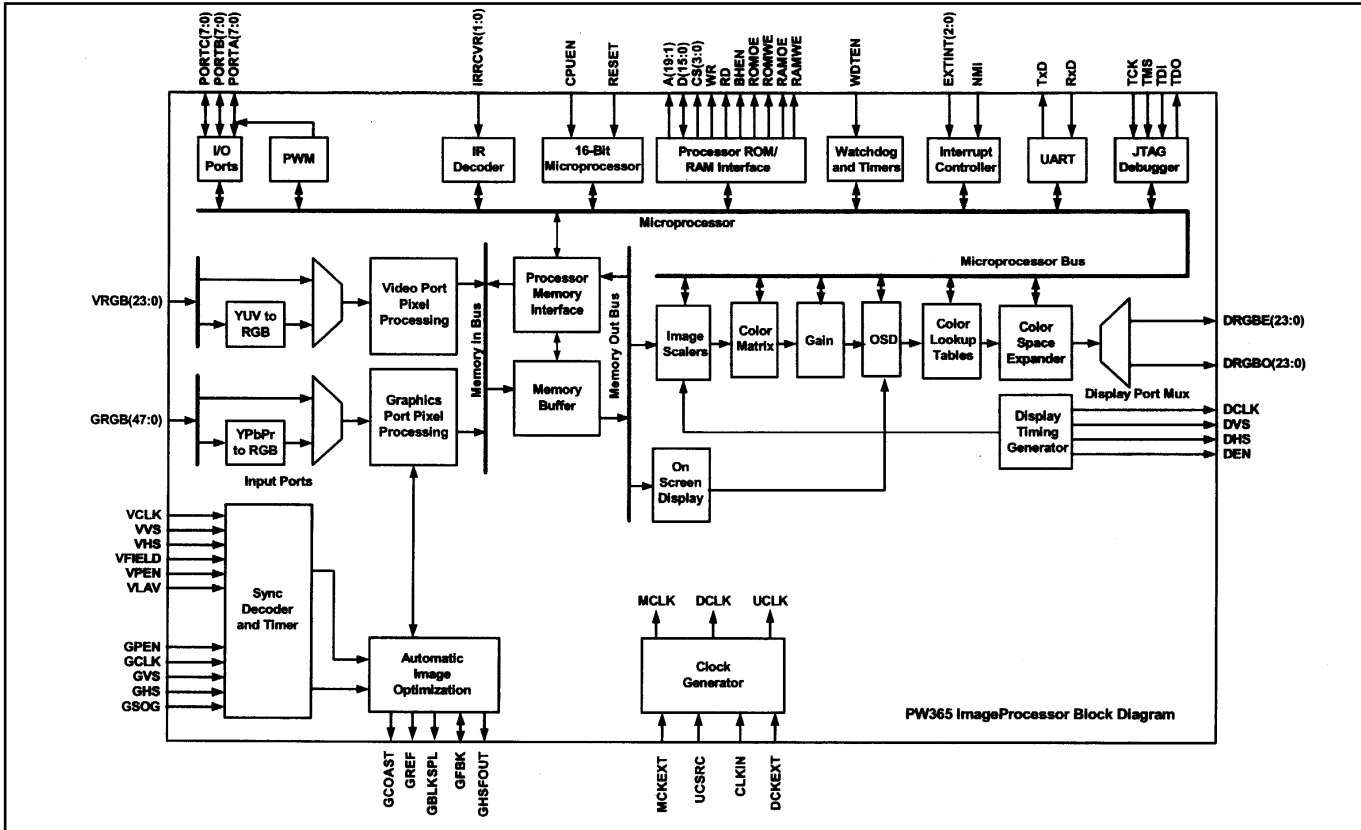
● **LB1641 <Motor Driver, IC1601, IC1611>**
LB1645N <Motor Driver, IC1621, IC1631>



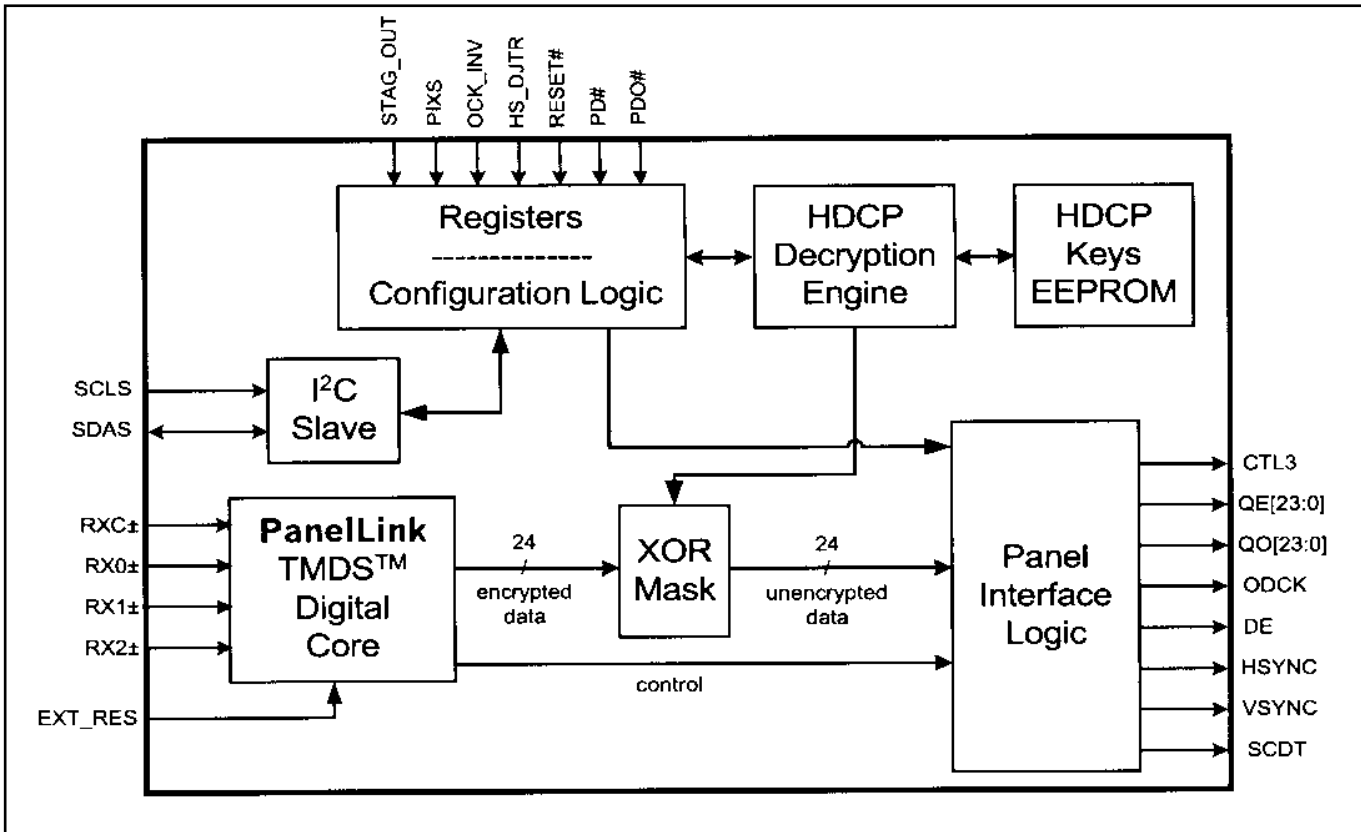
● **MD1222N <DC-DC Converter, IC8191>**



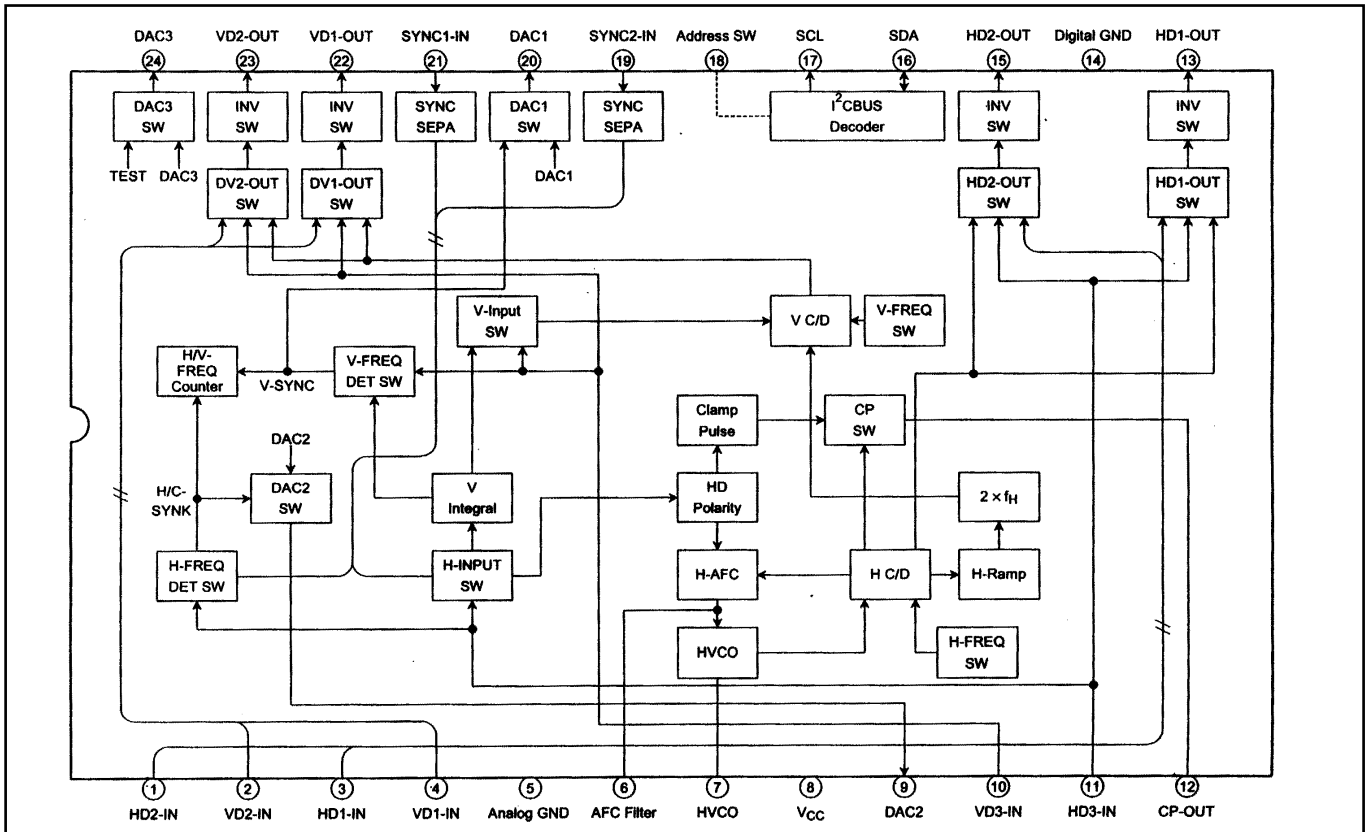
● PW365 <Scan Converter, IC301>



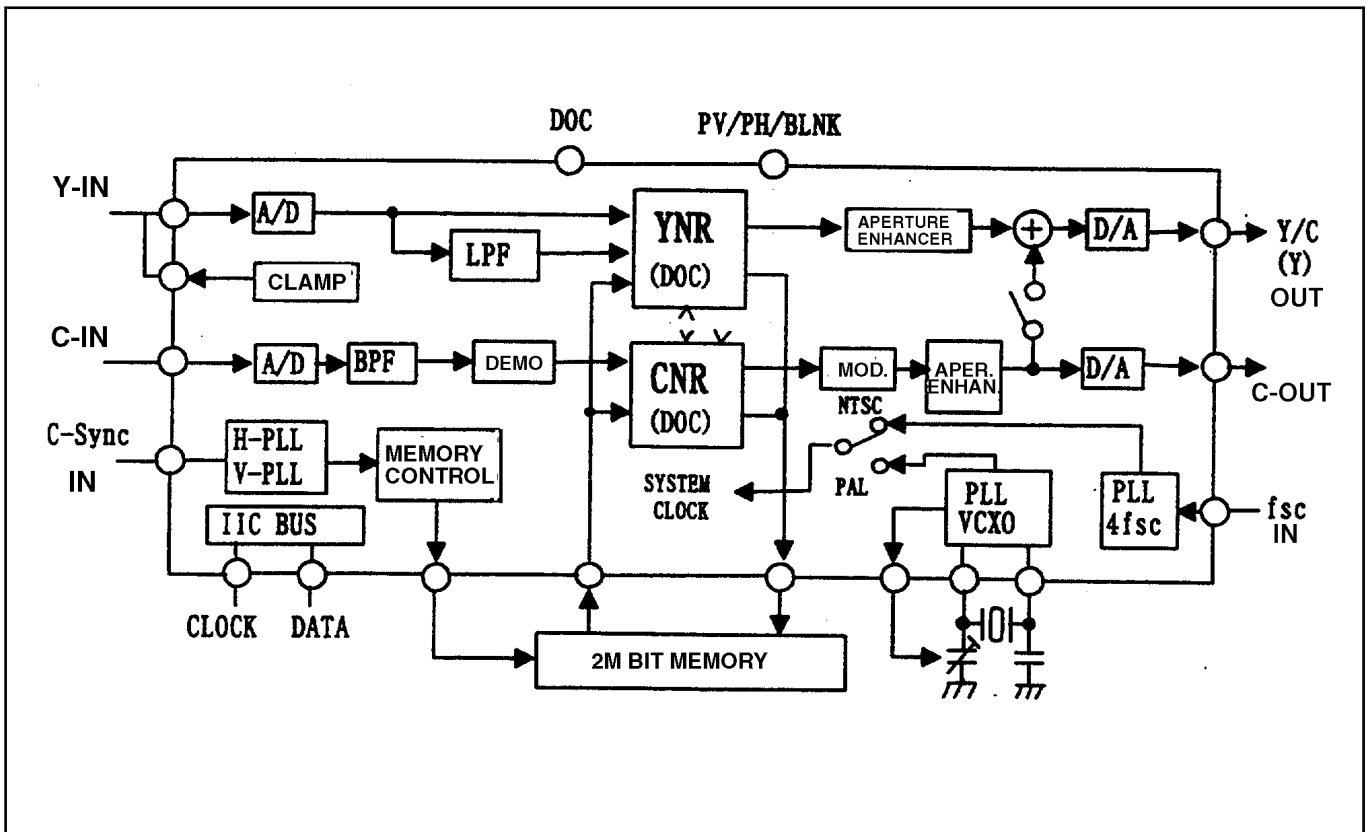
● Sii169ACT <DVI Interface, IC8001>



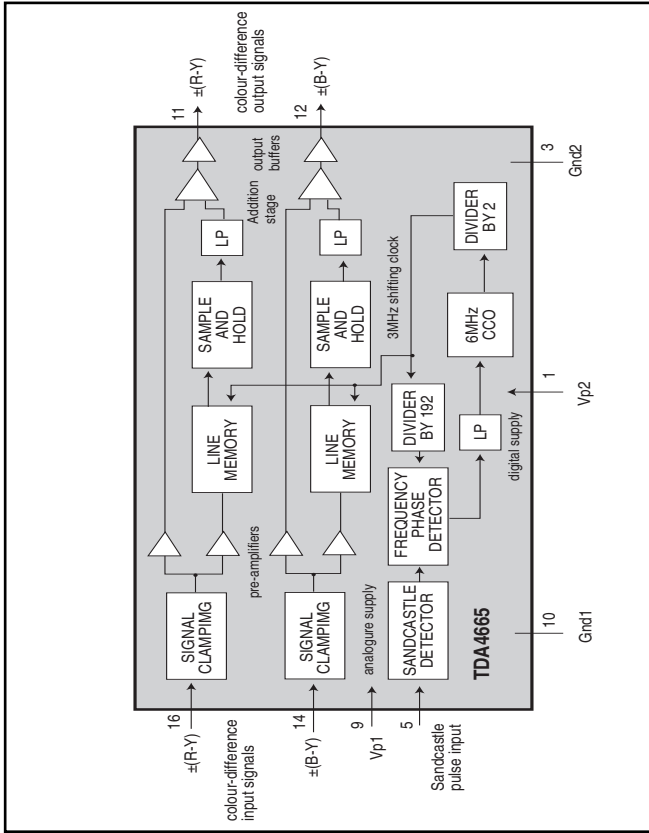
● TA1318N <Sync Separator, Frequency Counter, IC1061>



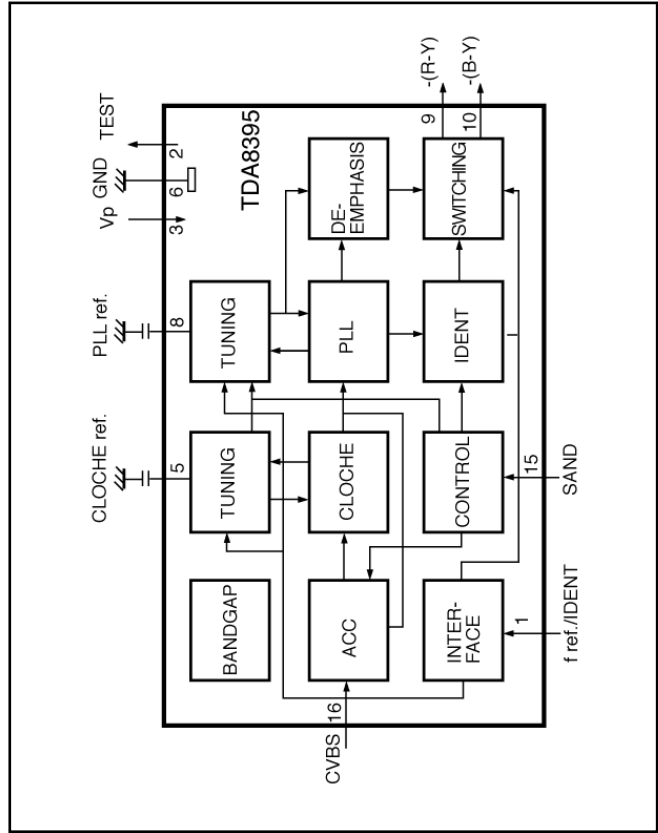
● TC90A11F <3D Noise Reduction, IC5101>



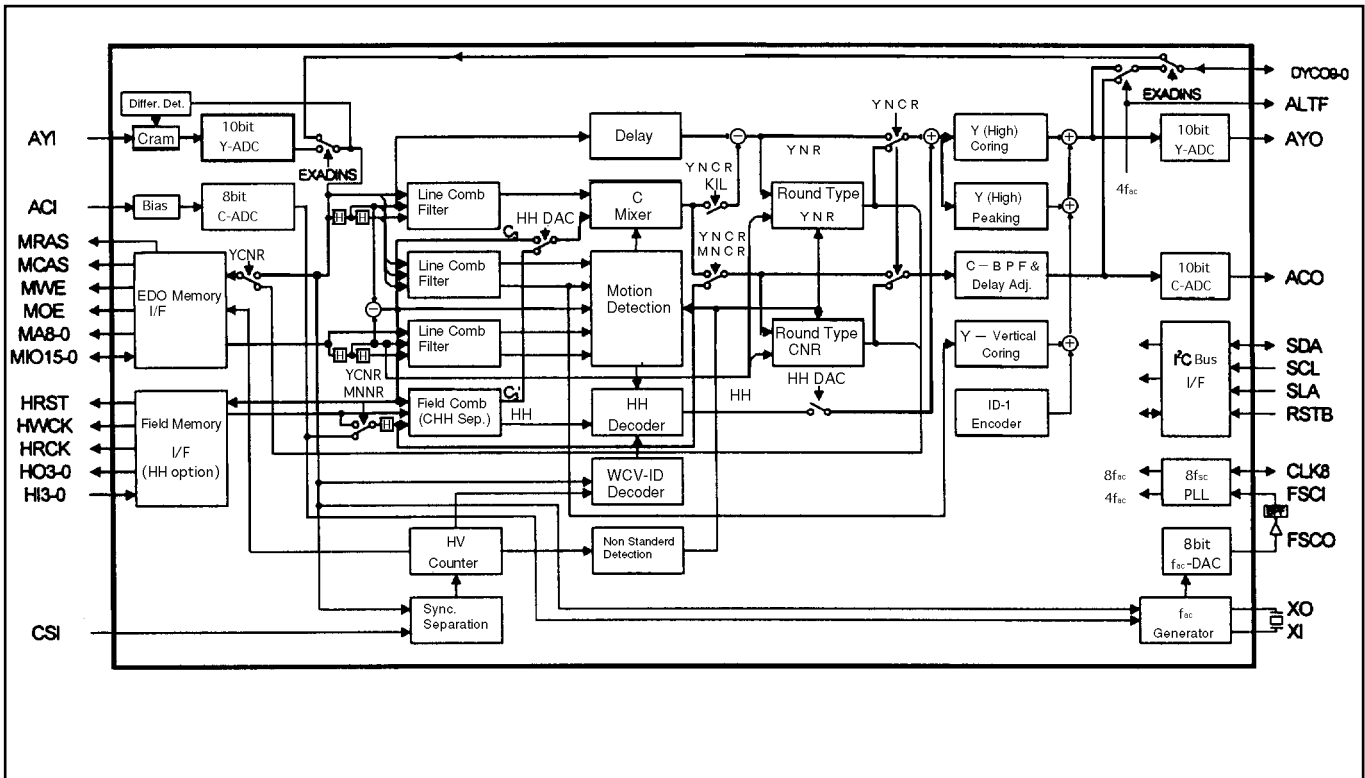
● TDA4665T <PAL SECAM Delay, IC3131>



● TDA8395T <SECAM Decoder, IC3121>



● uPD64082GF <3D Y/C Separator, IC1101>



■ Mechanical and Optical Parts list

Note:

Part order must contain **Model No., Chassis No., Optical Unit Type-R or L, Part No.,** and **descriptions.**
 Give complete "Chassis No." for parts order or servicing, it is shown on the rating sheet on the cabinet back of the LCD projector.

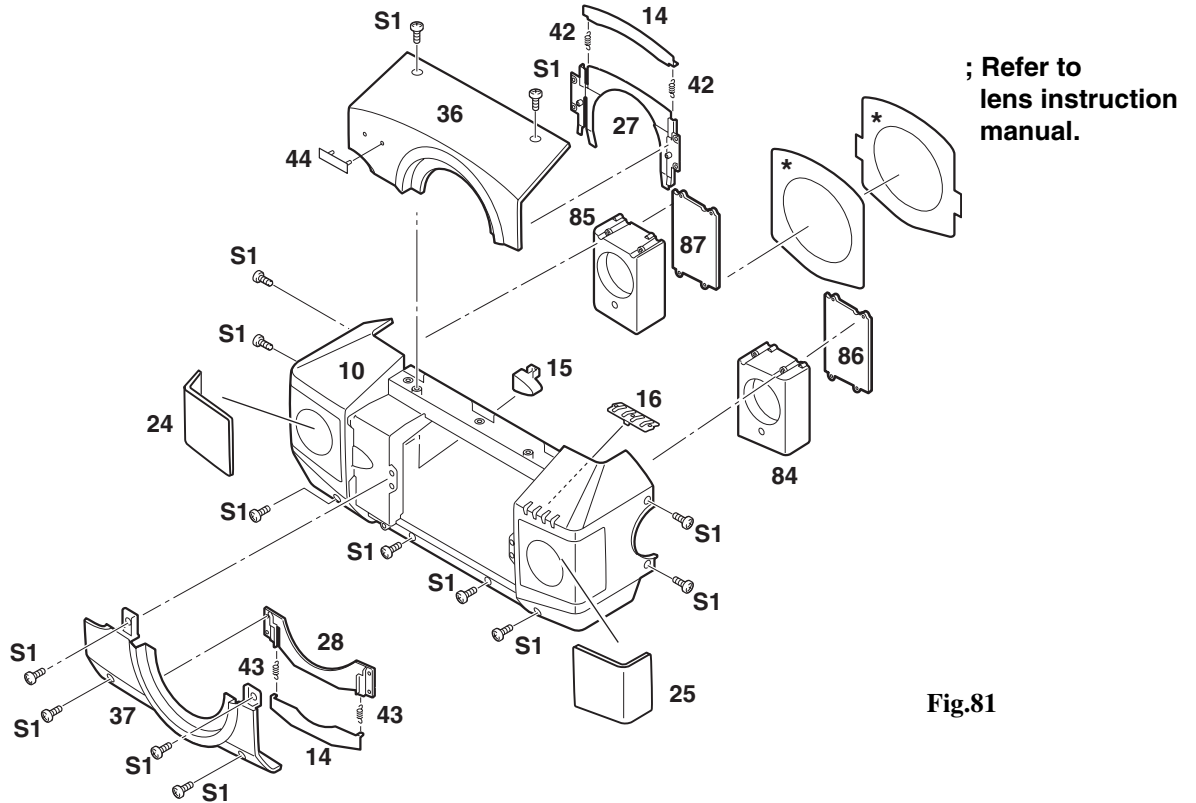


Fig.81

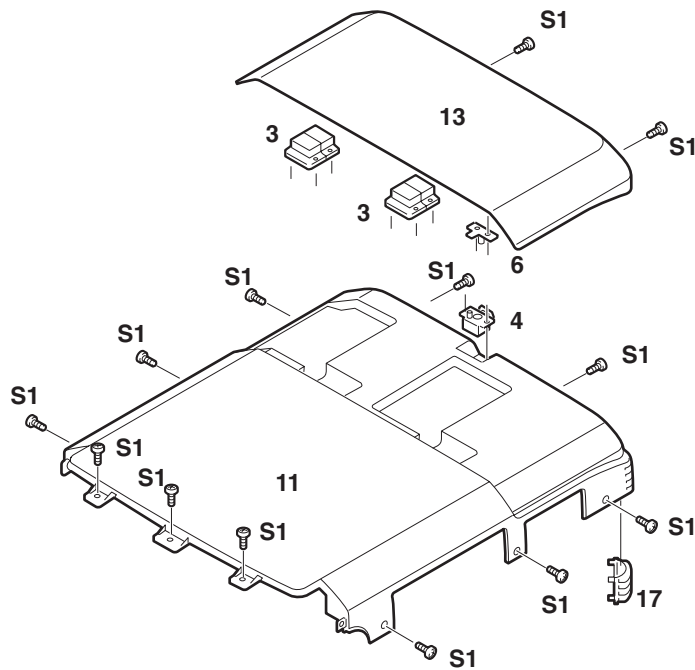
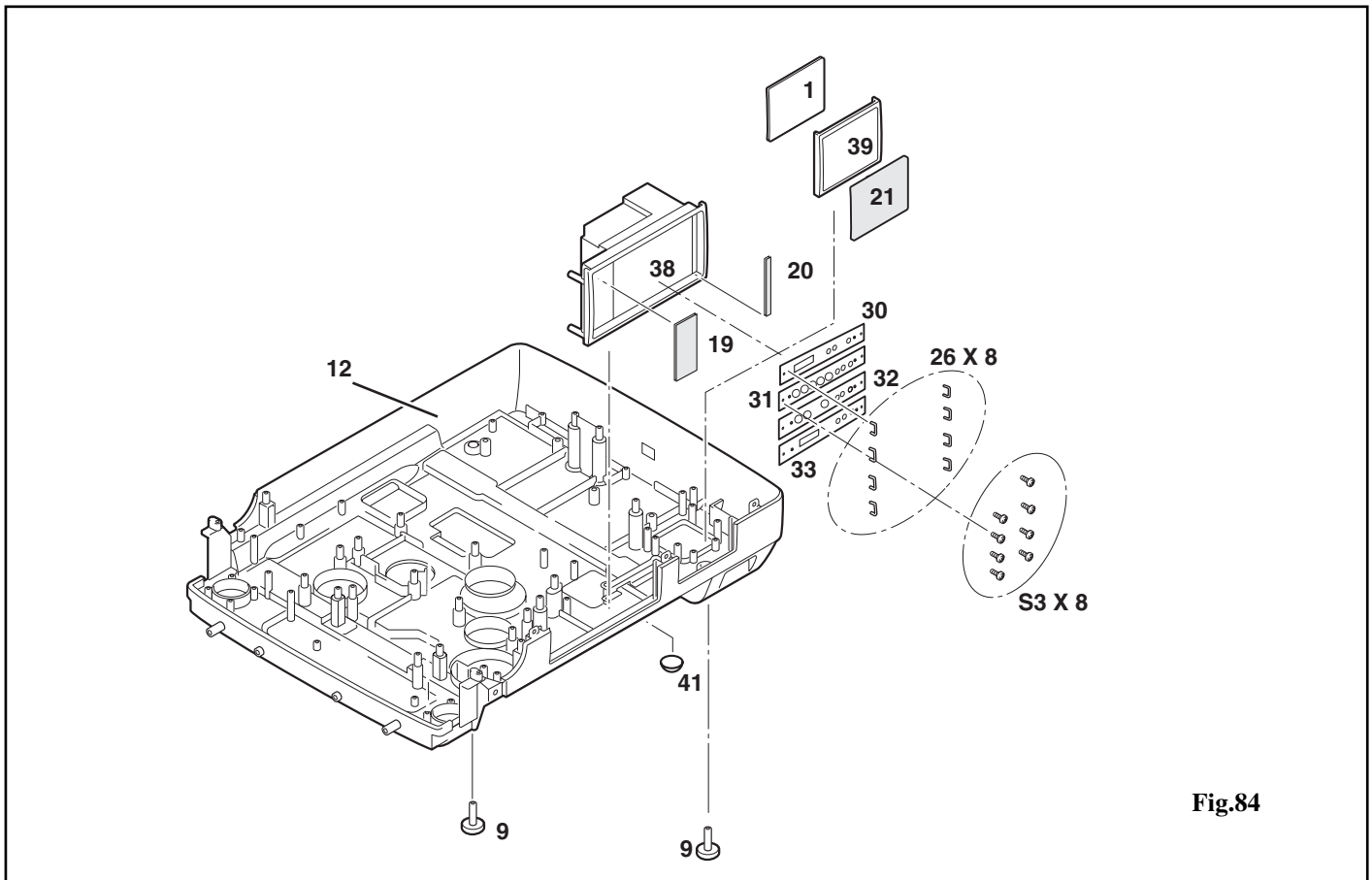
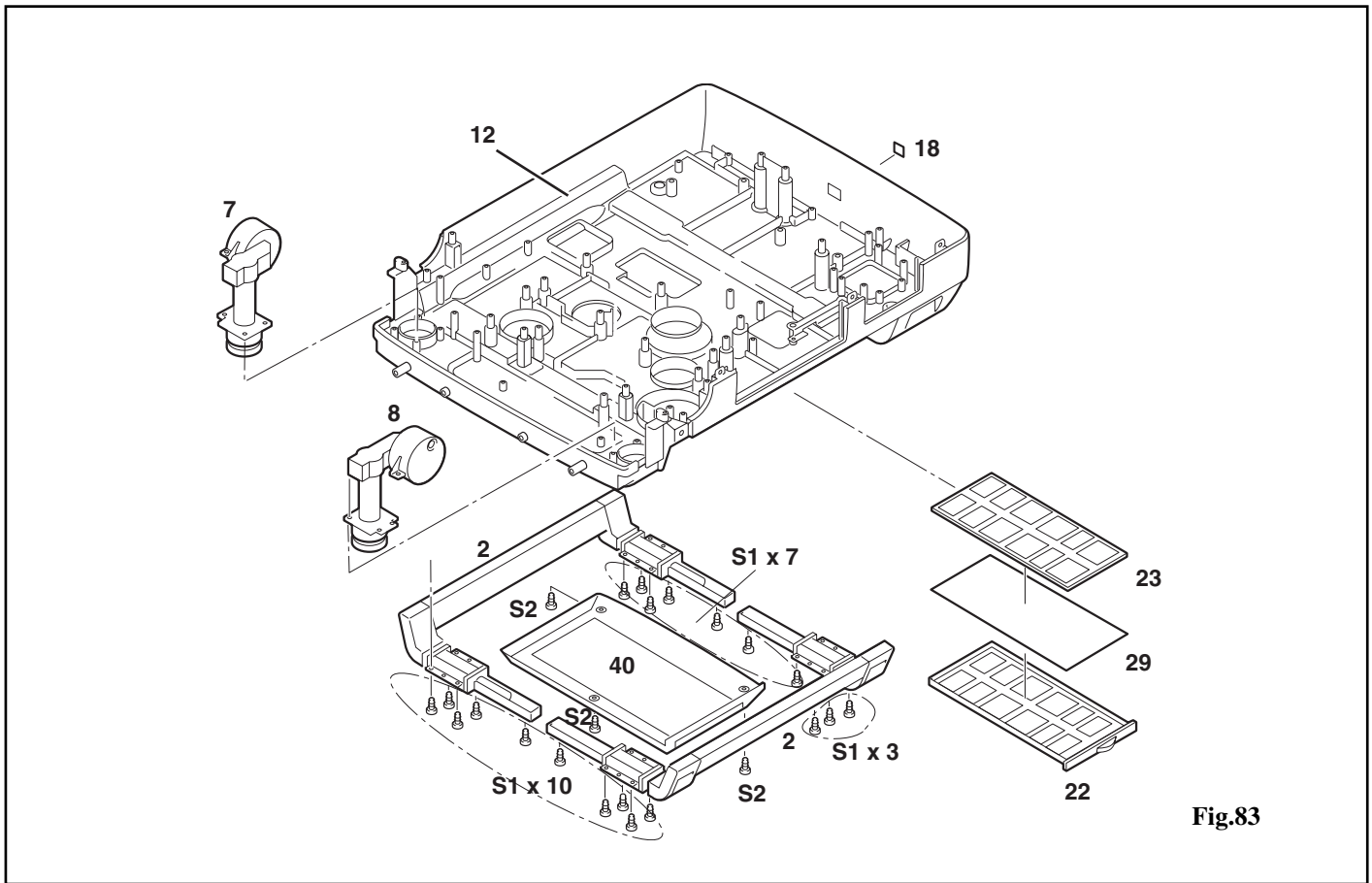
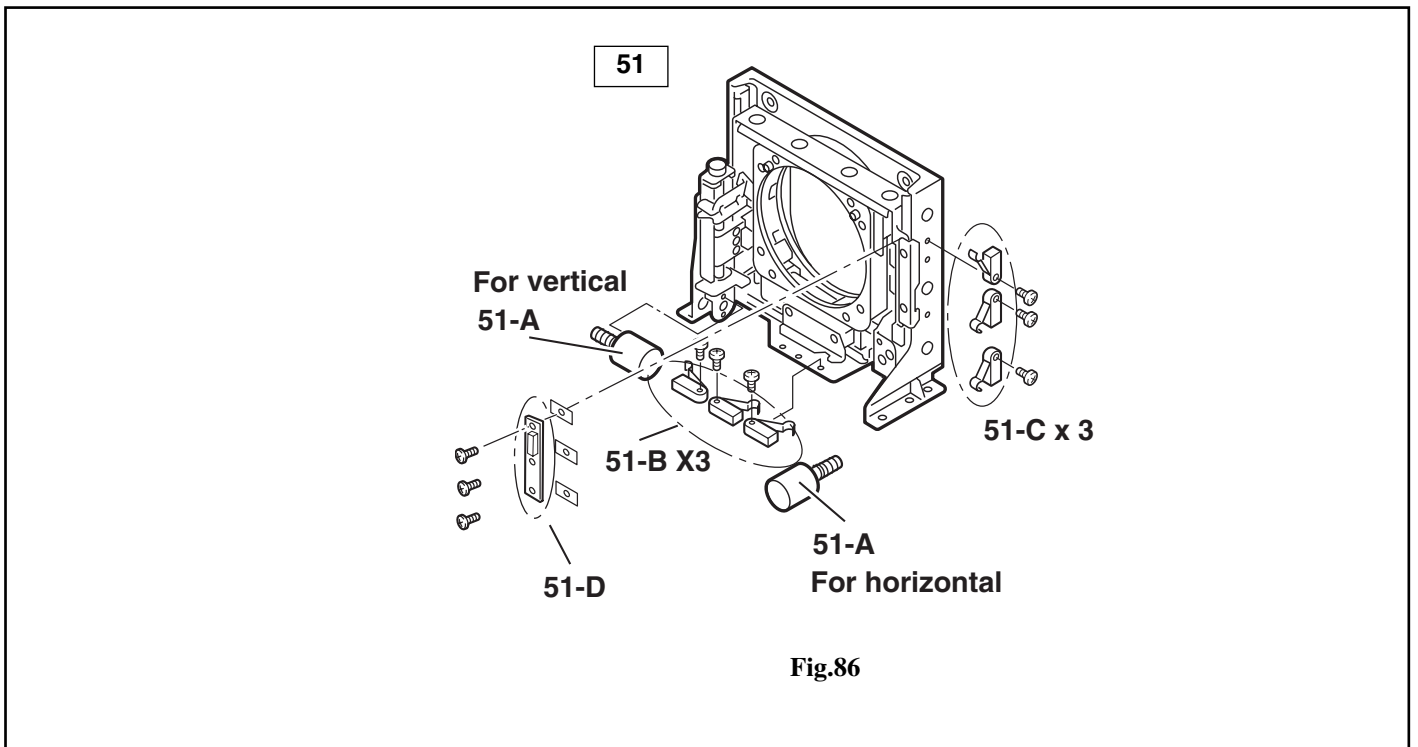
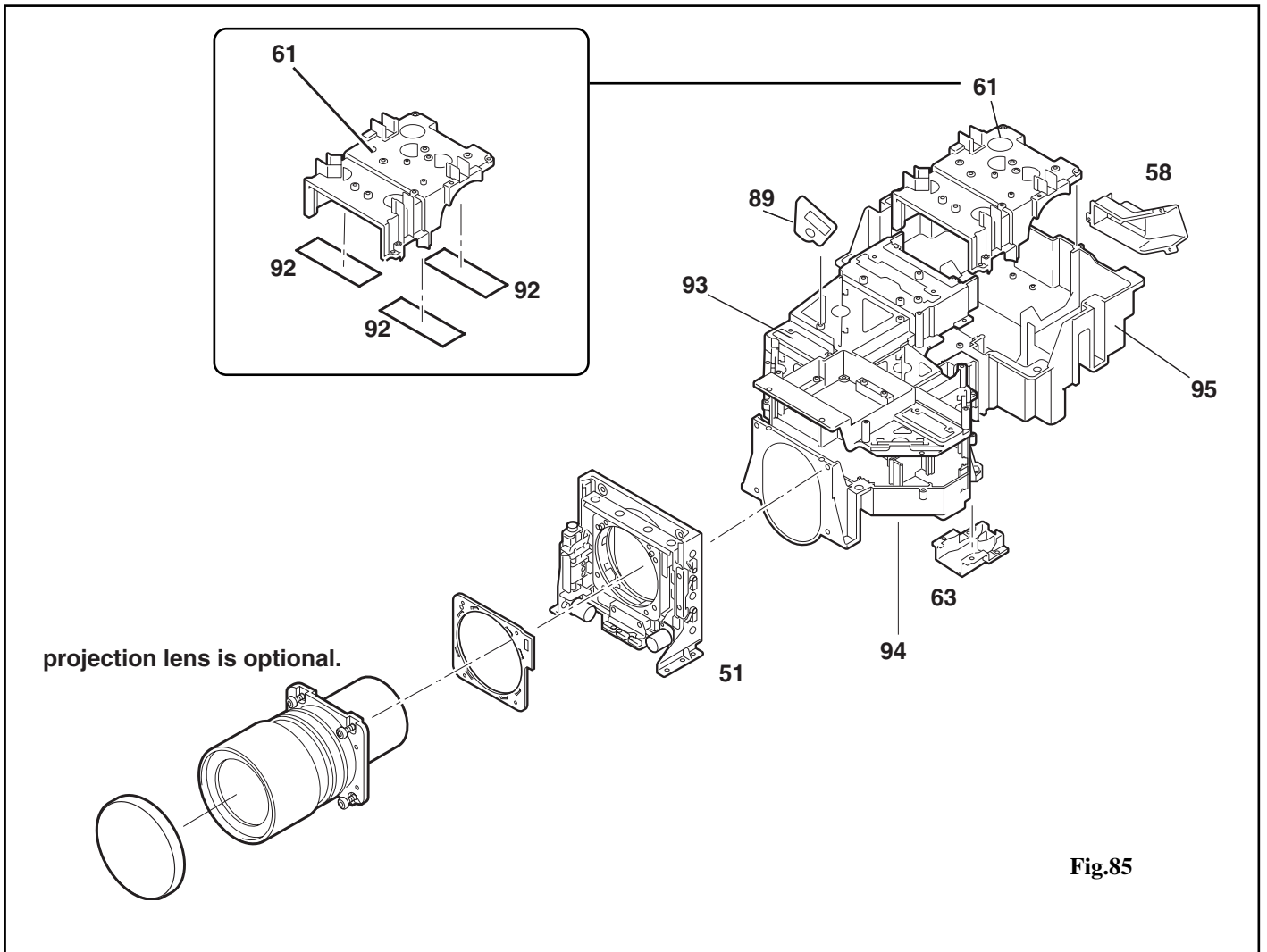


Fig.82





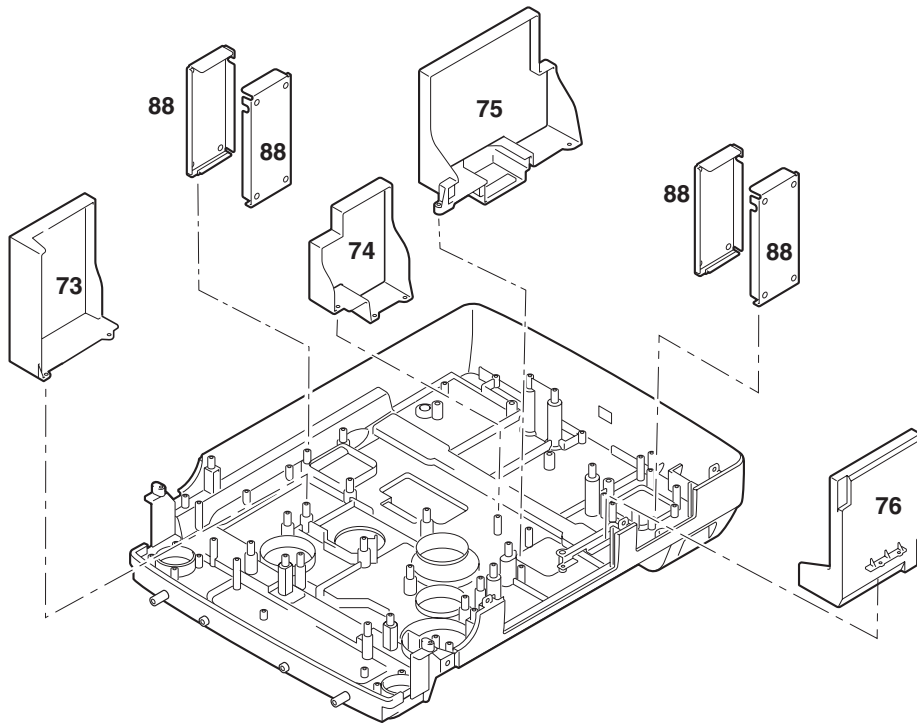


Fig.89

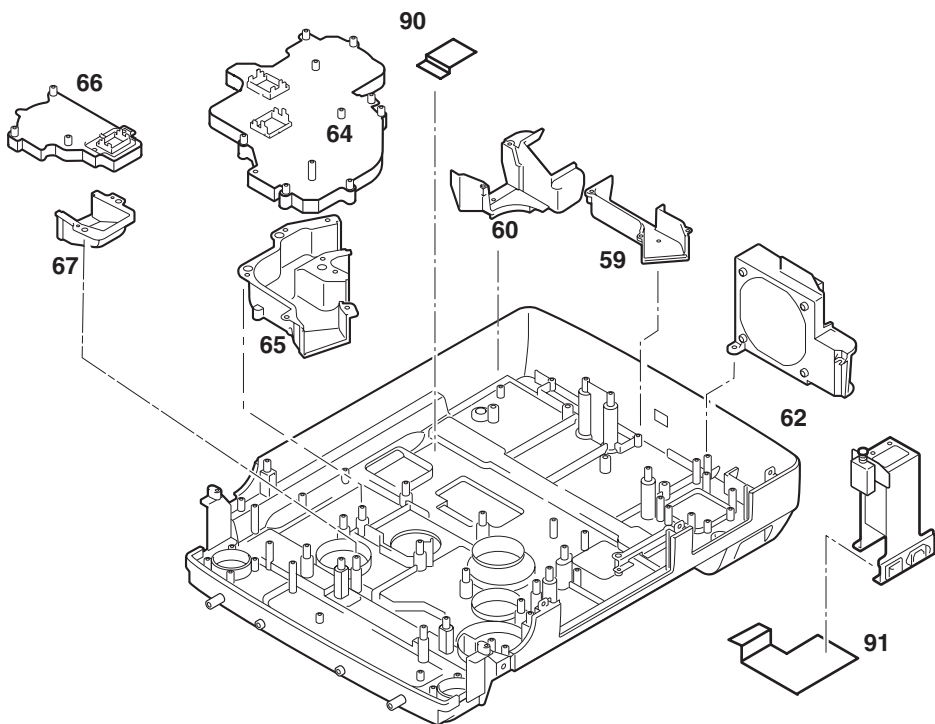
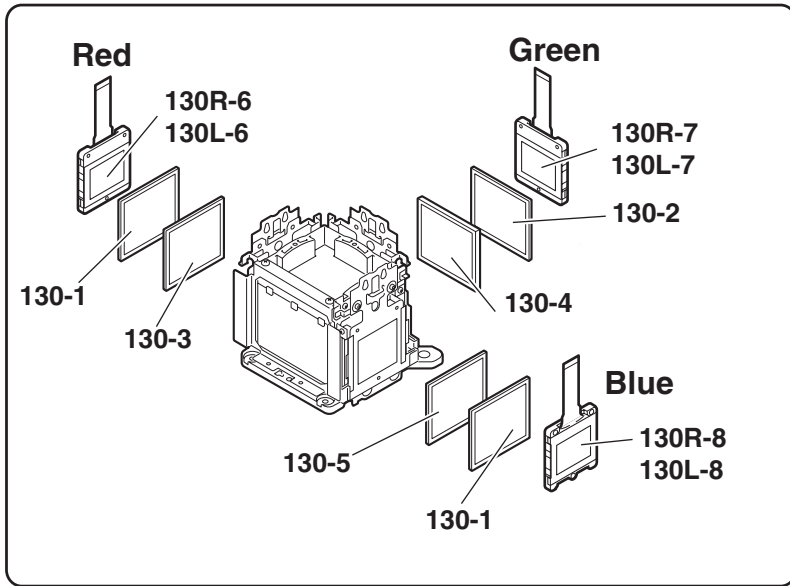


Fig.90



Prism/LCD Panel unit

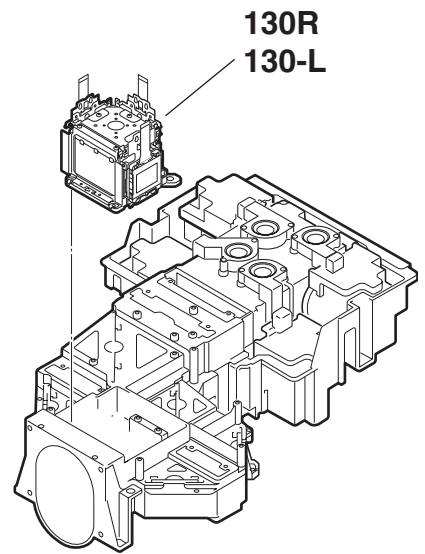
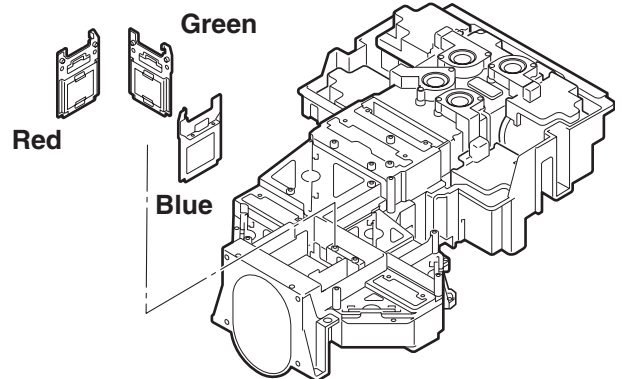
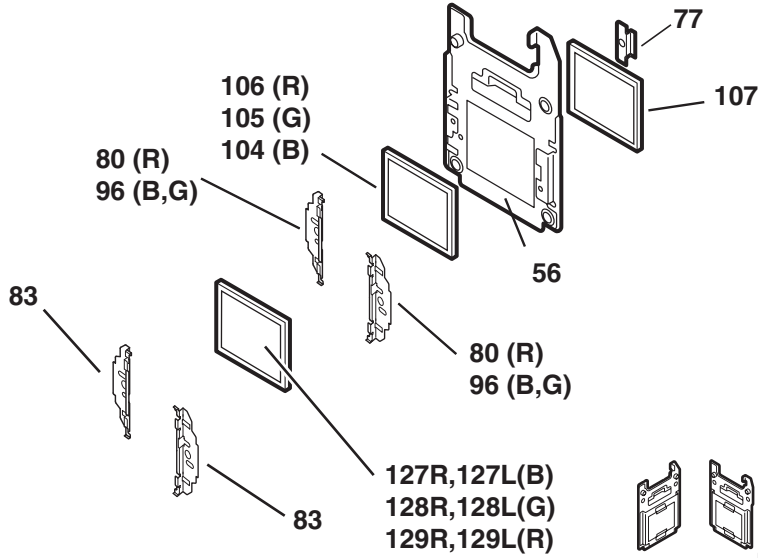
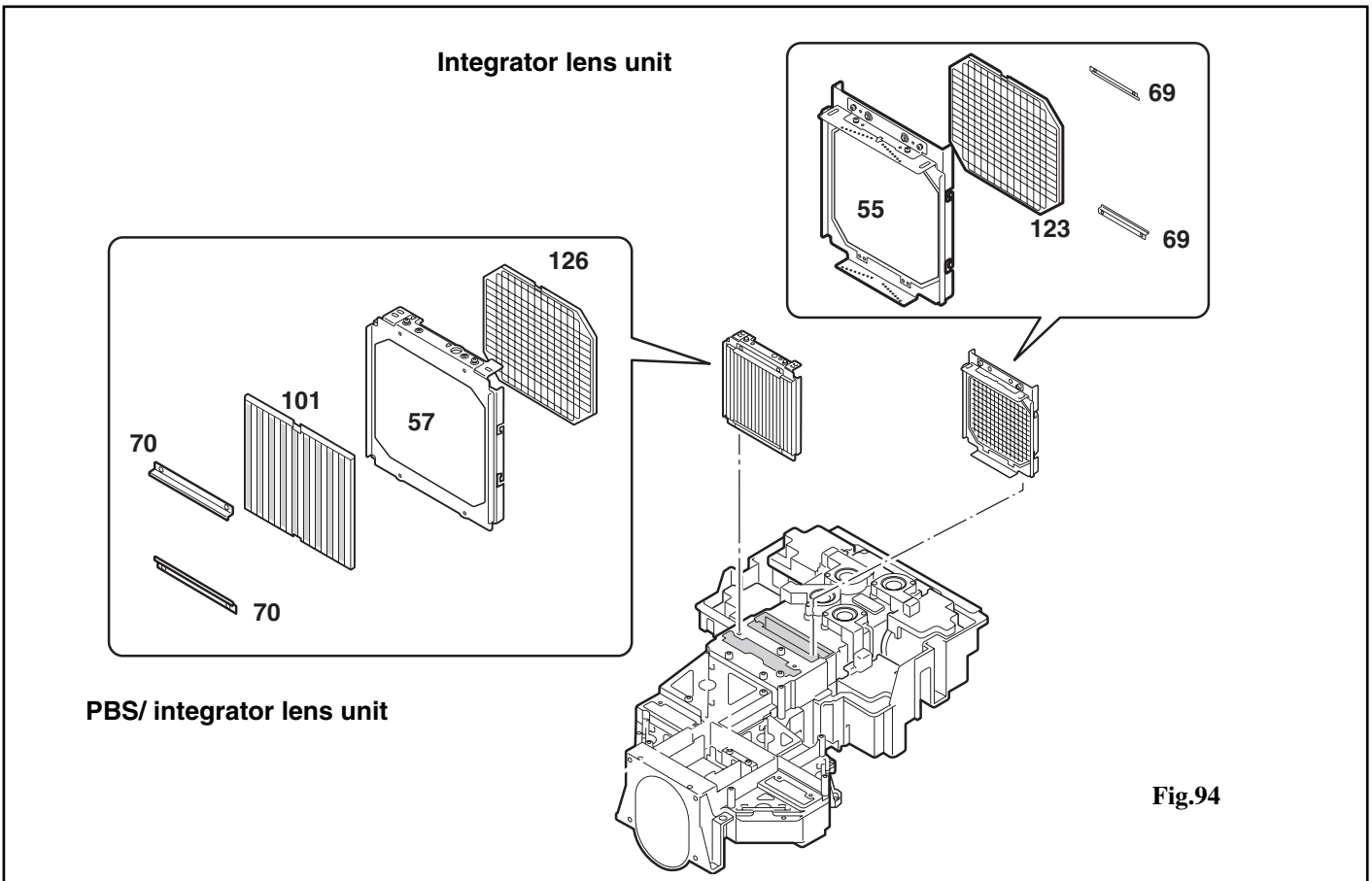
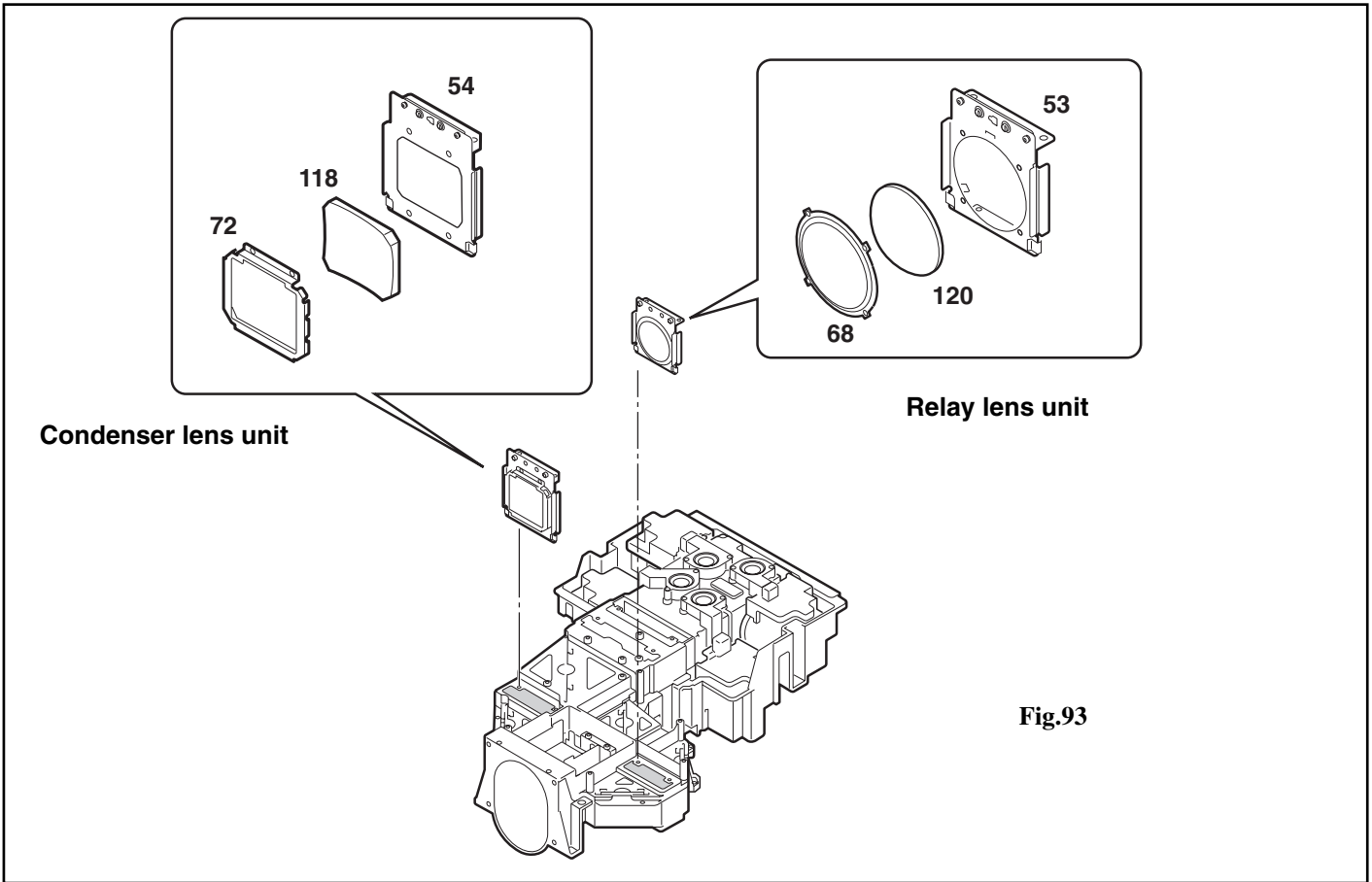


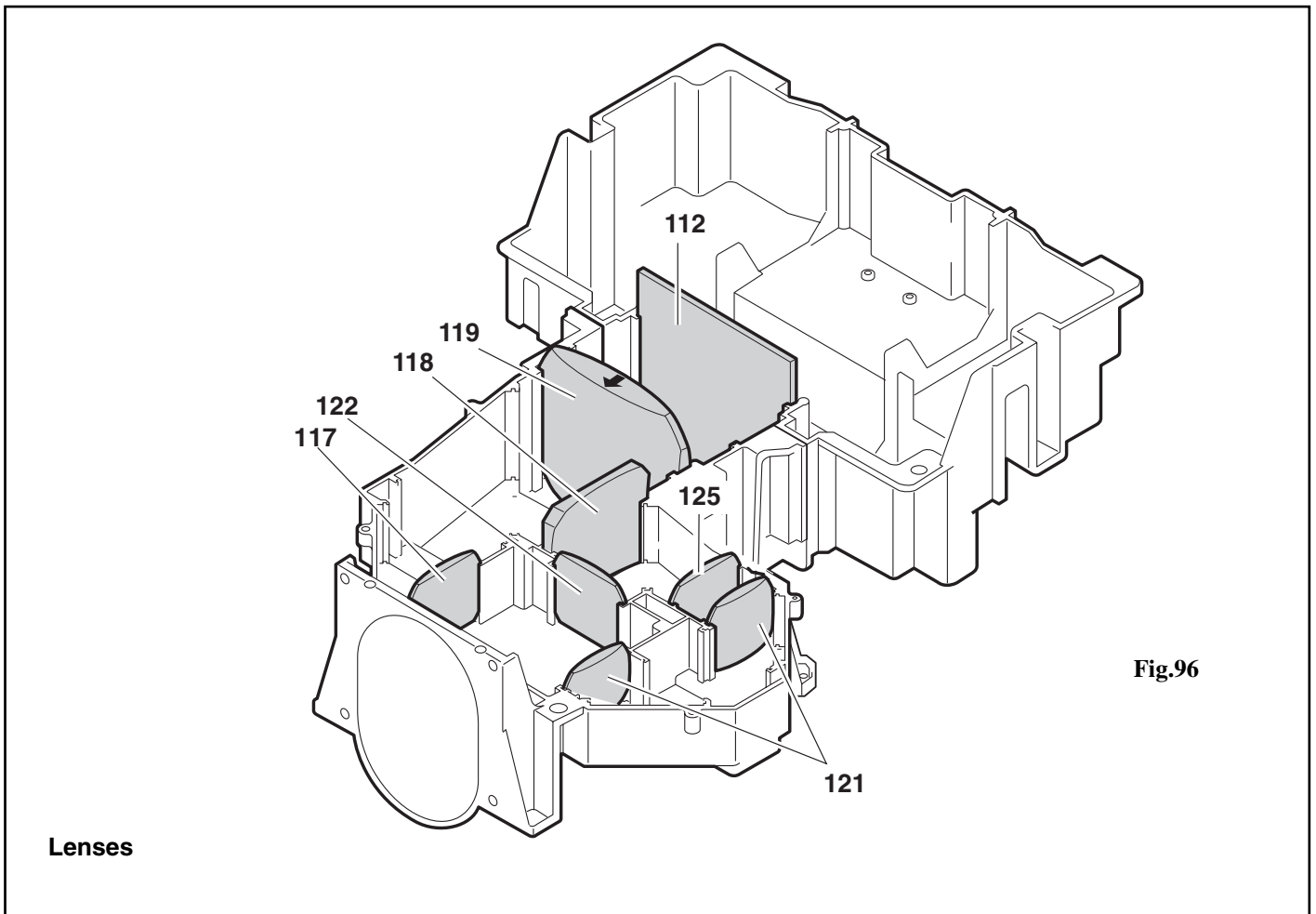
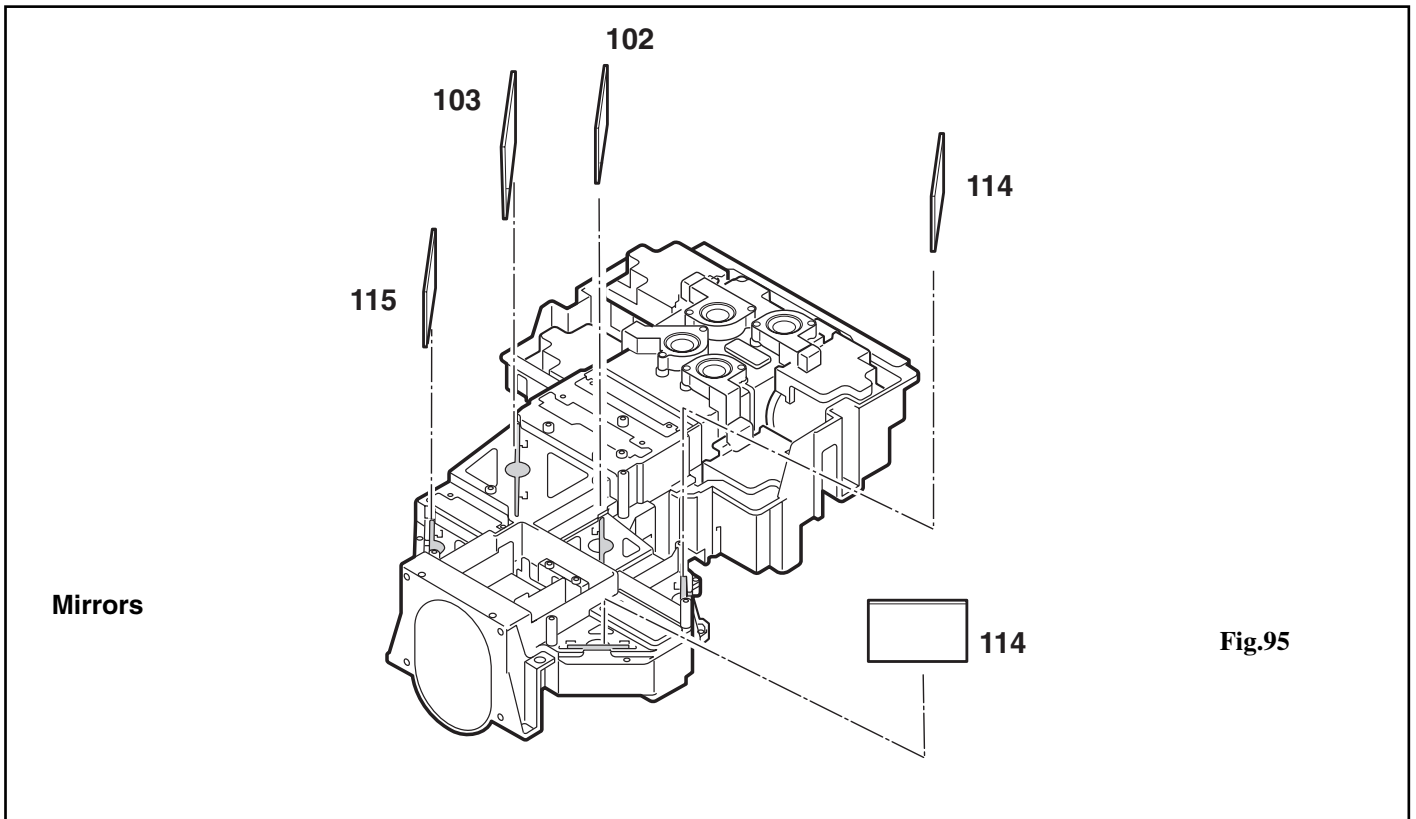
Fig.91



Polarized glass units
(Red, Green, Blue)

Fig.92





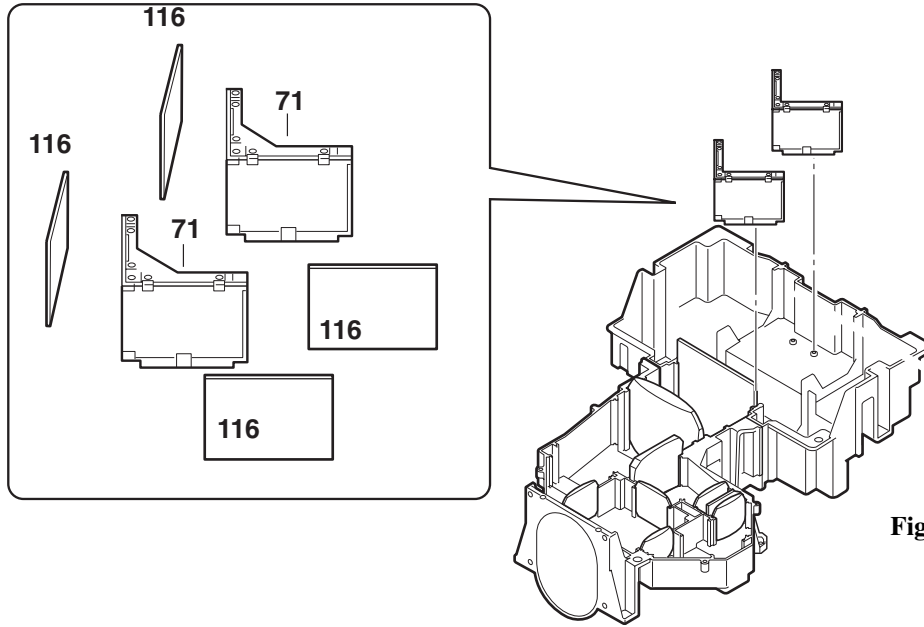


Fig.97

Mirrors

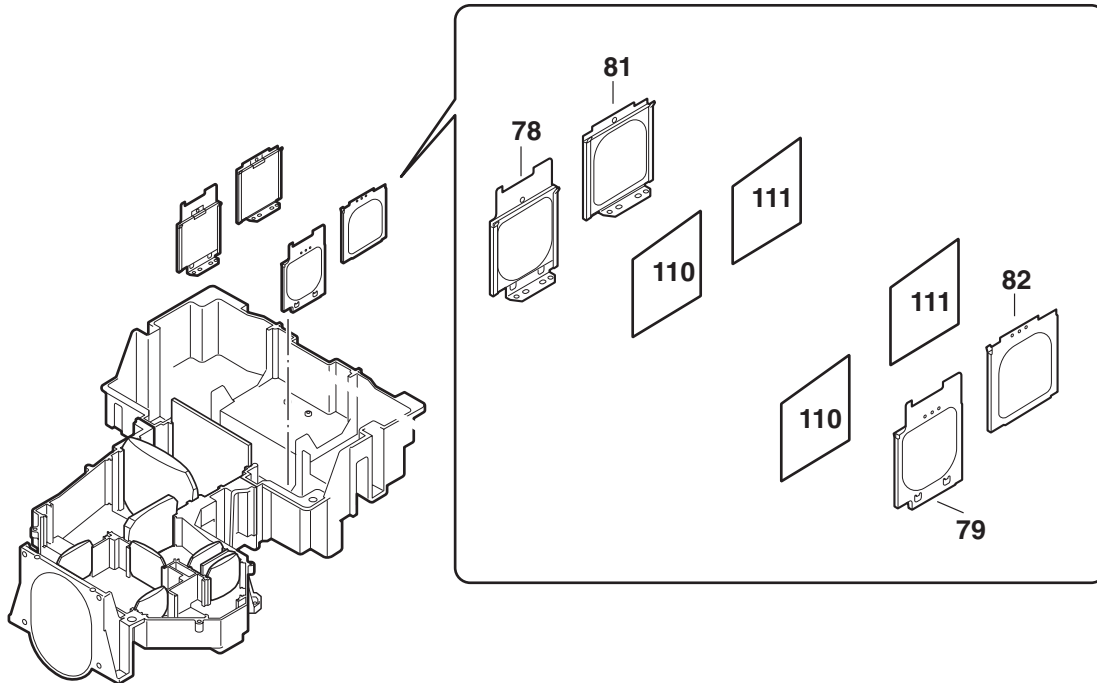
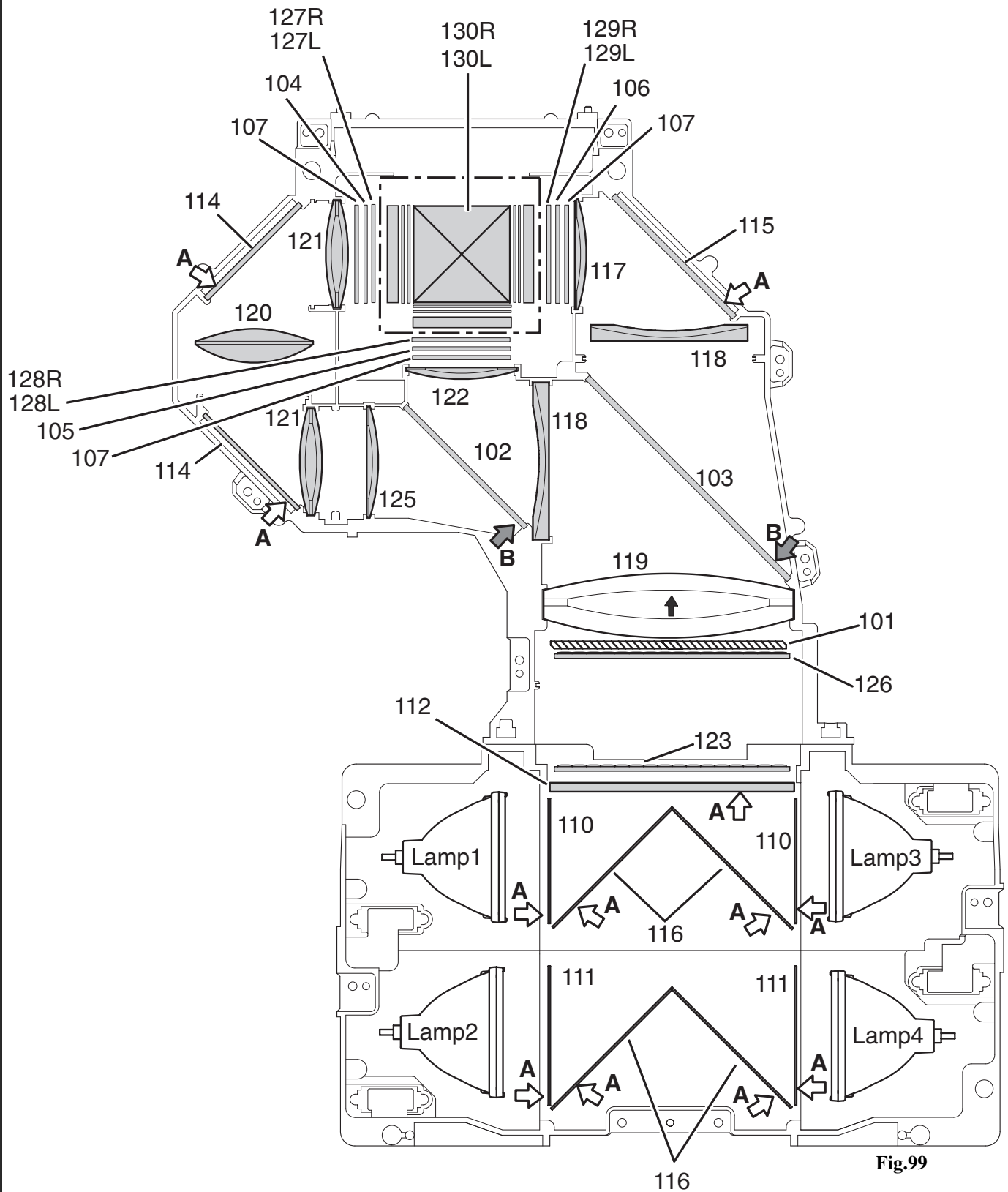
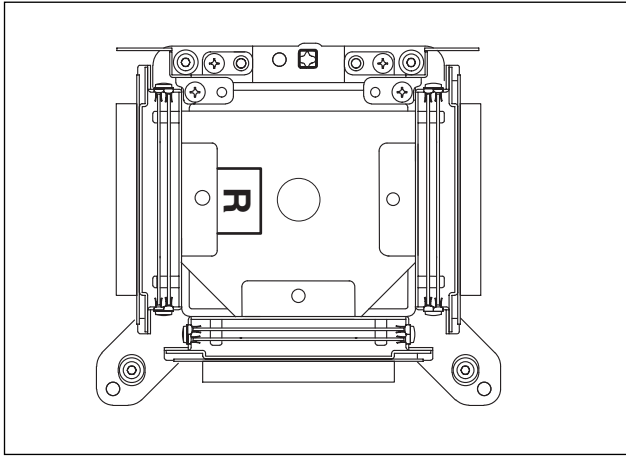


Fig.98

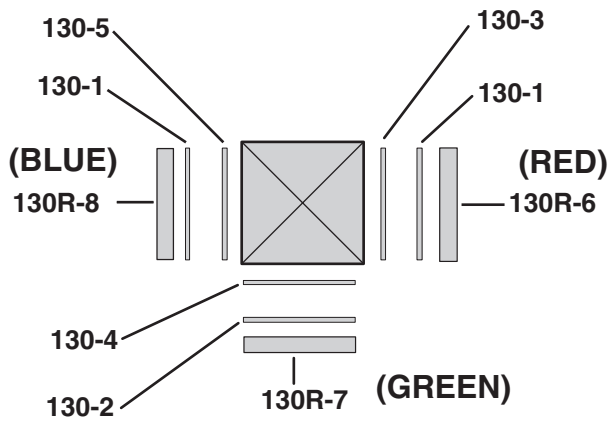
Optical filters



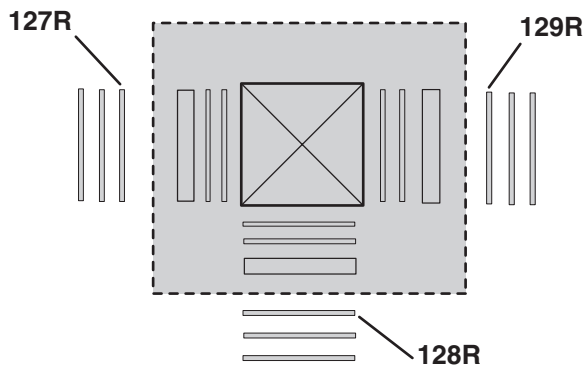
Optical Unit Type-R



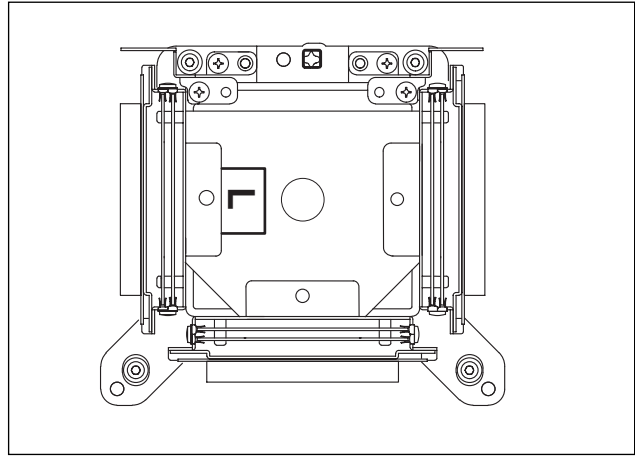
**NO.130R
LCD Panel/Prism ass'y (TYPE-R)**



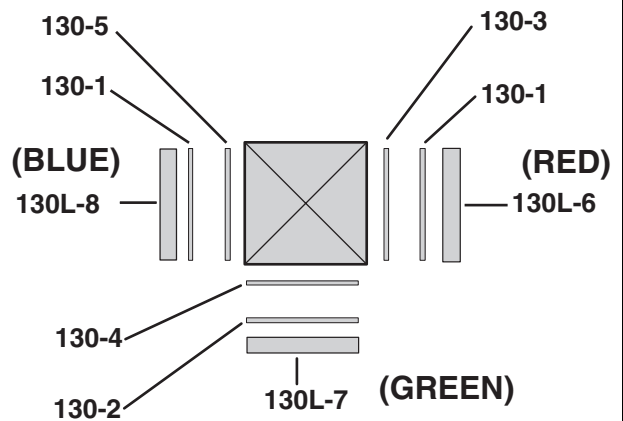
**NO.127R, 128R, 129R
Optical filter(HCP) (TYPE-R)**



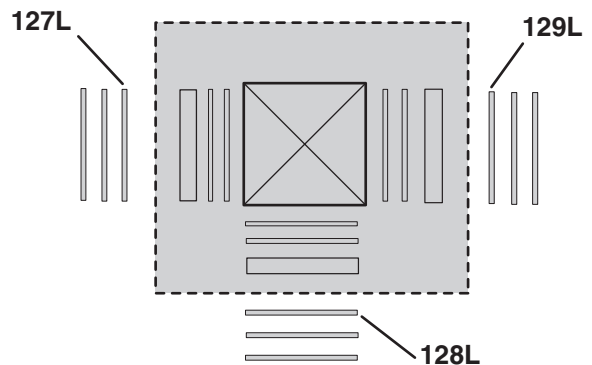
Optical Unit Type-L



**NO.130L
LCD Panel/Prism ass'y (TYPE-L)**



**NO.127L, 128L, 129L
Optical filter(HCP) (TYPE-L)**



Mechanical and Optical Parts

Ref. No.	Part No.	Part No.	Ref. No.	Part No.	Part No.
CABINET PARTS					
1	610 328 9892	ASSY,BUTTON-KF6B	83	610 329 1161	MOUNTING PLT A(1.0T)-KF6A
2	610 286 3116	COMPL HANDLE A-ML6B	84	610 283 5861	MOUNTING SP A-MJ6A
3	610 283 5663	ASSY HINGE- MJ6A	85	610 283 5878	MOUNTING SP B-MJ6A
4	610 286 3130	COMPL LATCH PUSH A -ML6B	86	610 284 6065	MOUNTING SP C-MJ6A
6	610 284 5938	ASSY LATCH PUSH B -MJ6A	87	610 286 6650	MOUNTING SP D-MJ6A
7	610 286 3154	COMPL,STAND LEG A-ML6B	88	610 322 4916	SPACER LMP PWB B-MT8A
8	610 286 3161	COMPL,STAND LEG B-ML6B	89	610 322 4817	SPACER CONDENSER LENS-MT8A
9	610 286 3178	ASSY,STAND LEG R-ML6B	90	610 328 1278	SPACER UV CAB BTM-MA4A
10	610 285 8945	CABINET FRONT-ML6B	91	610 328 4057	SPACER AC INLET-MA4A
11	610 304 1865	CABINET TOP B-MT8B	92	610 323 4410	SPACER COVER MR-M4ZA
12	610 328 9977	CABINET BOTTOM A-KF6B	93	610 307 5914	OPTICAL BASE TOP-MT8A
13	610 329 2199	COVER TOP C-KF6B	94	610 328 2879	OPTICAL BASE BTM A-MA4A
14	610 322 4381	COVER LNS A-MJ6A	95	610 327 5468	OPTICAL BASE BTM B-MA4A
15	610 283 5717	DEC INLAY R/C F-MJ6A	96	610 301 7976	MOUNTING PLT A-MT8A
16	610 283 5724	DEC INLAY A-MJ6A	SCREWS		
17	610 283 5731	DEC INLAY B-MJ6A	S1	411 190 4301	SCR BIN 4X8
18	610 284 0001	DEC INLAY R/C R-MJ6A	S2	411 192 1803	SCR S-TPG BIN 4X10
19	610 321 9110	DEC COMP SHEET A-ML6B-A	S3	411 207 3402	SCR BIN+IN TW 3 X 6
20	610 321 9158	DEC COMP SHEET B-ML6B-A	OPTICAL PARTS		
21	610 328 9830	DEC CONT SHEET A-KF6B	101	645 041 2660	ASSY,PRISM(PBS)
22	610 285 9034	FILTER BASE A-ML6B	102	645 048 6050	DICHROIC MIRROR (Y/IA)
23	610 287 2637	FILTER TOP-ML6B	103	645 078 9212	DICHROIC MIRROR (C)
24	610 286 3321	GRILLE SP L-ML6B	104	645 085 9229	POLARIZED GLASS(IN/B)
25	610 286 3338	GRILLE SP R-ML6B	105	645 085 9212	POLARIZED GLASS(IN/G)
26	610 283 5854	KNOB-MJ6A	106	645 085 9205	POLARIZED GLASS(IN/R)
27	610 284 2920	MOUNTING COVER LNS A-MJ6A	107	645 085 9199	PREPOLARIZED GLASS(IN)
28	610 284 2937	MOUNTING COVER LNS B-MJ6A	110	645 043 8523	OPTICAL FILTER
29	610 301 4814	NET A-MT8A		645 064 2678	OPTICAL FILTER
30	610 283 4703	PANEL COMP D-MJ6A	111	645 043 8516	OPTICAL FILTER
31	610 284 4658	PANEL COMP E-MJ6A		645 064 2661	OPTICAL FILTER
32	610 284 4665	PANEL COMP F-MJ6A	112	645 086 0386	OPTICAL FILTER
33	610 284 8182	PANEL COMP G-MJ6A	114	645 047 1858	MIRROR(B-COLD)
36	610 301 7983	PANEL FRONT TOP-MT8B	115	645 047 1841	MIRROR(R)
37	610 301 7990	PANEL FRONT BTM-MT8B	116	645 041 2745	MIRROR(COLD)
38	610 286 3567	PANEL COMP A-ML6B	117	645 086 0393	LENS,CONDENSER(R-FIL)
39	610 286 3581	PANEL CONT-ML6B	118	645 060 3174	LENS,CONDENSER(OUT)
40	610 285 9126	PANEL FILTER-ML6B	119	645 054 1261	LENS,CONDENSER(IN)
41	610 289 3359	STAND LEG CT-ML6B	120	645 041 2875	LENS,RELAY(OUT)
42	610 272 9238	SPRING COIL-M6MA	121	645 041 2868	LENS,RELAY(IN)
43	610 285 1366	SPRING COIL-MJ6A	122	645 075 3664	LENS,CONDENSER(G)
44	610 287 2569	BADGE EIKI-ML6B	123	645 041 2707	LENS,INTEGRATER
CHASSIS PARTS			125	645 086 4704	LENS,CONDENSER(UV-FIL)
51	610 311 5122	ASSY,HOLDER LNS B-MT8A	126	645 085 8284	LENS,INTEGRATER(OUT)
51-A	645 042 7343	ASSY,MOTOR(ML6A)	127L	645 085 9281	OPTICAL FILTER (HCP)RR
51-B	645 057 3224	SWITCH,SENSOR X	127R	645 085 9298	OPTICAL FILTER (HCP)LG
51-C	645 057 3231	SWITCH,SENSOR Y	128L	645 085 9298	OPTICAL FILTER (HCP)LG
51-D	610 303 9879	ASSY,PWB,LENS-BASE NET MT8A	128R	645 085 9281	OPTICAL FILTER (HCP)RR
53	610 282 9846	COMPL,HOLDER REL A-MJ6A	129L	645 085 9281	OPTICAL FILTER (HCP)RR
54	610 282 9853	COMPL,HOLDER COND A-MJ6A	129R	645 085 9298	OPTICAL FILTER (HCP)LG
55	610 305 5592	COMPL,HOLDER INT A-MW8A	130L	610 330 1860	ASSY,LCD PNL/PSM-KF6A-RLR
56	610 295 4876	COMPL,HOLDER POL A-MJ6A	130-1	645 085 9267	PREPOLARIZED GLASS(OUT)RB
57	610 303 9572	COMPL,HOLDER PBS A-MT8A	130-2	645 085 9274	PREPOLARIZED GLASS(OUT)G
58	610 326 8811	COVER,DUCT LMP B-MA4A	130-3	645 085 9236	POLARIZED GLASS(OUT/R)
59	610 300 0985	COVER,DUCT LMP C-MT8A	130-4	645 085 9243	POLARIZED GLASS(OUT/G)
60	610 300 0992	COVER,DUCT LMP D-MT8A	130-5	645 085 9250	POLARIZED GLASS(OUT/B)
61	610 302 2437	COVER MR-MT8A	130L-6	645 085 6082	LCD(LCX082ANB-7)R
62	610 300 6574	COVER,DUCT SET A-MT8A	130L-7	645 085 6099	LCD(LCX082APB-8)G
63	610 326 8842	COVER DUCT PBS A-MA4A	130L-8	645 085 6105	LCD(LCX082ANB-6)B
64	610 326 8927	COVER DUCT LCD GB TOP-MA4A	130R	610 330 1631	ASSY,LCD PNL/PSM-KF6A-LRL
65	610 326 8767	COVER DUCT LCD GB BTM-MA4A	130-1	645 085 9267	PREPOLARIZED GLASS(OUT)RB
66	610 326 8835	COVER DUCT LCD R TOP-MA4A	130-2	645 085 9274	PREPOLARIZED GLASS(OUT)G
67	610 326 8750	COVER DUCT LCD R BTM-MA4A	130-3	645 085 9236	POLARIZED GLASS(OUT/R)
68	610 283 0613	HOLDER REL D-MJ6A	130-4	645 085 9243	POLARIZED GLASS(OUT/G)
69	610 283 0620	HOLDER INT D-MJ6A	130-5	645 085 9250	POLARIZED GLASS(OUT/B)
70	610 283 0866	HOLDER PBS D-MJ6A	130R-6	645 085 6112	LCD(LCX082APB-7)R
71	610 292 2806	HOLDER,MR A-MJ6A	130R-7	645 085 6129	LCD(LCX082ANB-8)G
72	610 283 0668	HOLDER COND D-MJ6A	130R-8	645 085 6136	LCD(LCX082APB-6)B
73	610 301 5484	HOLDER FILTER PWB-MT8A			
74	610 301 5491	HOLDER SUB PWB-MT8A			
75	610 329 6432	HOLDER FILTER PWB A-MA4A			
76	610 327 7448	HOLDER POWER PWB A-MA4A			
77	610 295 5019	MOUNTING PLT B-MJ6A			
78	610 290 0095	MOUNTING UV FILTER-B-ML6A			
79	610 290 0118	MOUNTING UV FILTER-D-ML6A			
80	610 295 5040	MOUNTING PLT A-MJ6A			
81	610 303 7356	MOUNTING UV FILTER A-MT8A			
82	610 303 7363	MOUNTING UV FILTER B-MT8A			

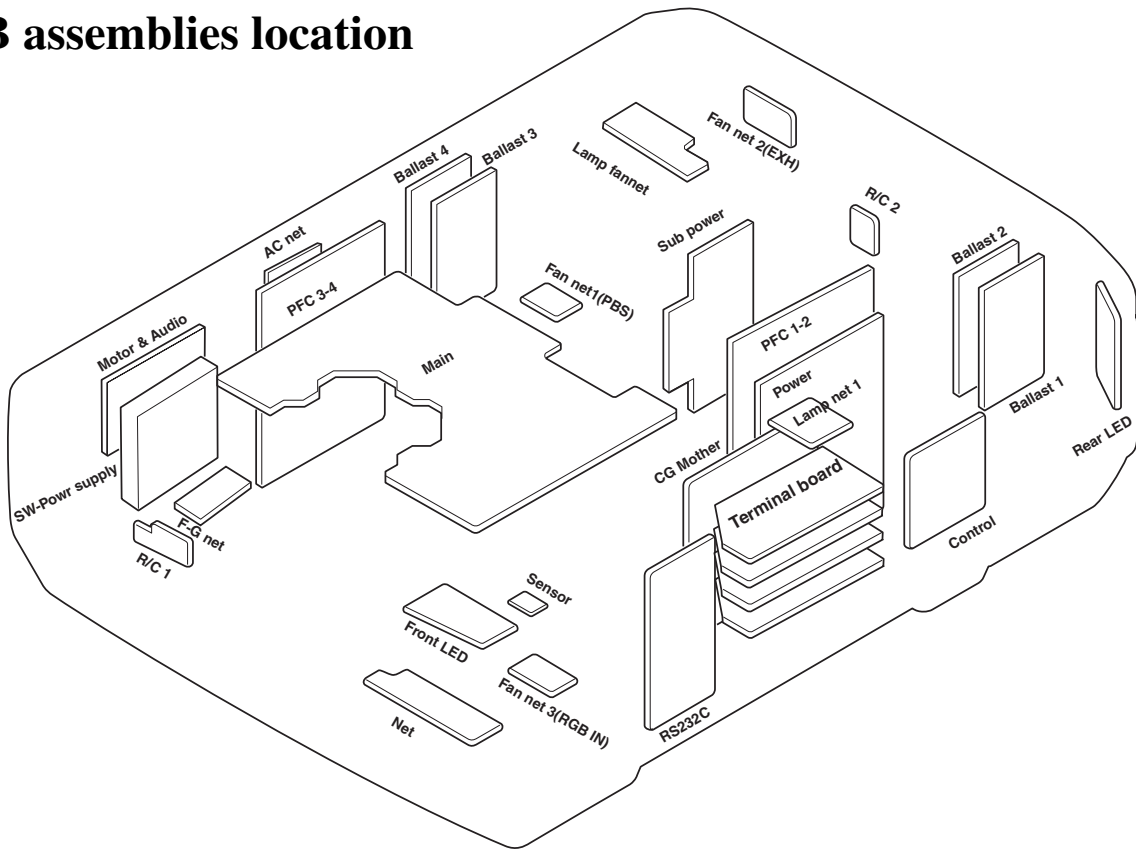
Packing Materials and Accessories Parts

KF6-XT4U00
LF6-XT4E00

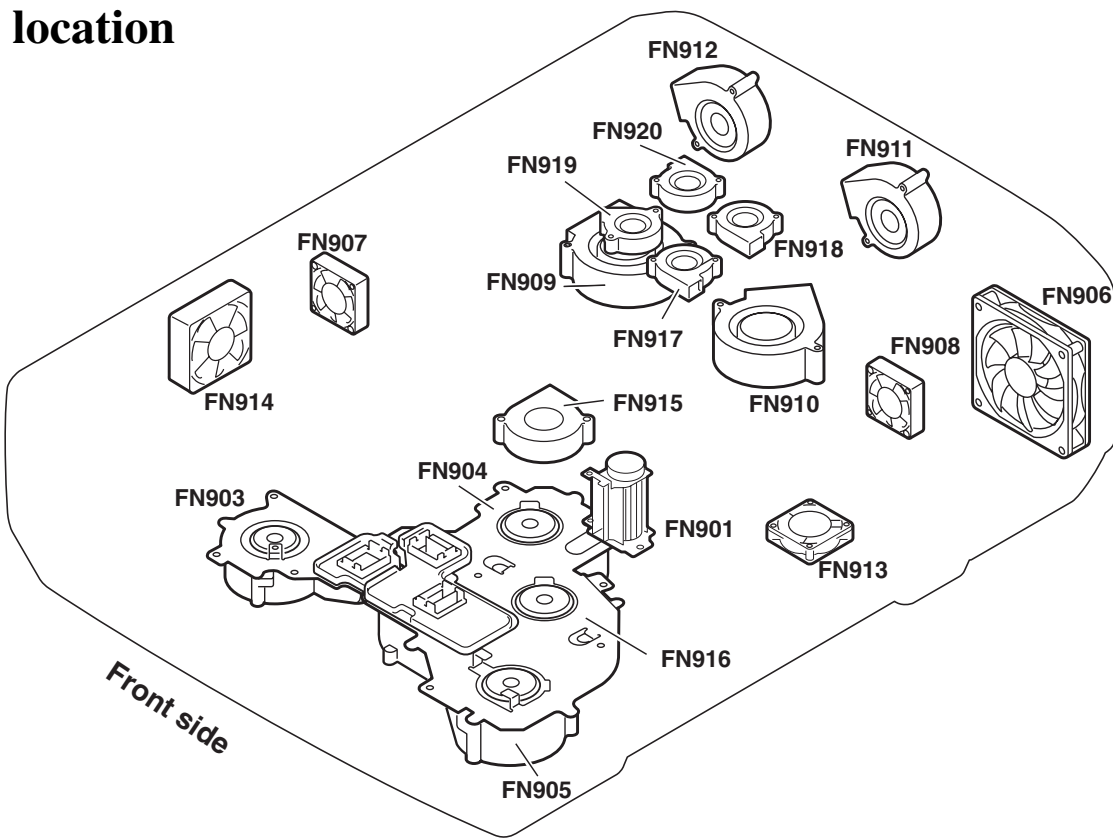
Ref. No.	Part No.	Part No.	Ref. No.	Part No.	Part No.
PACKING MATERIALS					
	610 293 0672	ASSY,CARTON CASE BTM-ML6F			
	610 285 9072	HANDLE CARTON-ML6A			
	610 284 3613	CUSHION SPACER-ML6A			
	610 284 3033	CUSHION BTM-ML6A			
	610 284 3040	CUSHION TOP-ML6A			
	610 289 4103	CUSHION BTM BASE-ML6A			
	610 289 7234	REINFORCEMENT A-ML6A			
	645 067 1838	POLY BAG-1800X1300*NC			
LC-XT4U(USA)					
	610 328 9779	CARTON CASE TOP-KF6B			
LC-XT4E(EUROPE)					
	610 329 0010	CARTON CASE TOP-LF6B			
ACCESSORIES					
	610 322 4329	COVER LENS B-MJ6A			
	610 322 8136	COVER LNS C-MJ6A			
	610 322 7351	COVER LNS D-MJ6A			
	610 322 7894	COVER LNS E-MJ6A			
	610 322 7719	COVER LNS F-MJ6A			
	610 322 7559	COVER LENS G-MJ6A			
	610 303 8742	COMPL,MOUNTING LENS A-MT8A			
	610 304 6228	COMPL,MOUNTING LENS A-IDJK			
	610 301 6658	ASSY,SPACER BF-MY8A			
	610 322 4275	COMPL,STPR CLAMP LNS MM7A			
	645 069 2154	CABLE,FXAF			
	645 073 4854	CABLE,INTERFACE VGA			
MANUAL/CD-ROM					
	610 330 3802	SETUP INST MANUAL-KF6B			
	645 086 0997	CD-ROM,OWNERS MANUAL-KF6B			
	610 319 5346	COLOR MANAGE INST-B-MM7A			
	645 072 1120	CD-ROM (R.C. MANAGER)			
REMOTE CONTROL					
	645 085 6174	ASSY,REMOCON CXVC			
	610 316 9897	RC-BATTERY LID-CXSF			
AC CORD					
△	(USA)	645 085 5047	CORD,POWER-2.5MK,US		
△	(EUROPE)	645 066 7169	CORD,POWER-3.0MK,EU		

■ Electrical Parts List

PWB assemblies location



Fans location

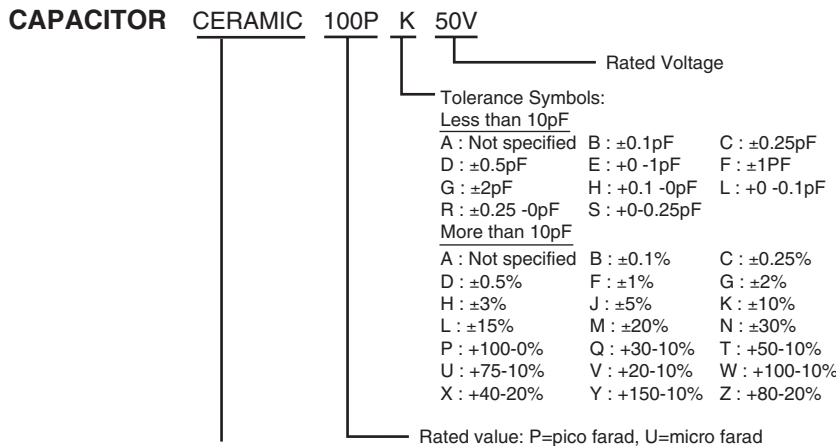


Electrical Parts List

Product safety should be considered when a component replacement is made in any area of a projector. Components indicated by a Δ mark in this parts list and the circuit diagram show components whose value have special significance to product safety. It is particularly recommended that only parts specified on the following parts list be used for components replacement pointed out by the mark.

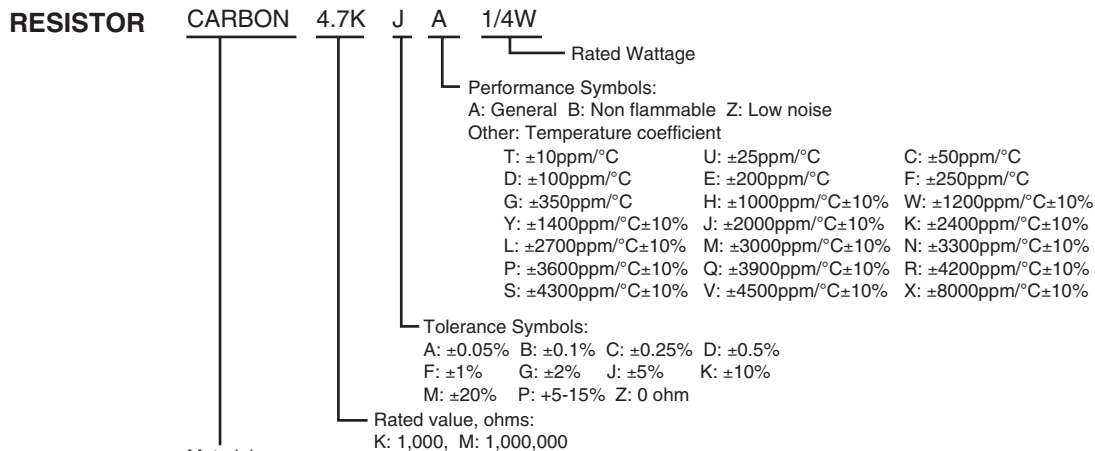
● Read Description in the parts list

Read description in the Capacitor and Resistor as follows:



Material:

- CERAMIC..... Ceramic
- MT-PAPER..... Metallized Paper
- POLYESTER..... Polyester
- MT-POLYEST.....Metallized Polyester
- POLYPRO..... Polypropylene
- MT-POLYPRO.....Metallized Polypropylene
- COMPO FILM.....Composite film
- MT-COMPO.....Metallized Composite
- STYRENE.....Styrene
- TA-SOLID..... Tantalum Oxide Solid Electrolytic
- AL-SOLID..... Aluminium Solid Electrolytic
- ELECT..... Aluminium Foil Electrolytic
- NP-ELECT.....Non-polarised Electrolytic
- OS-SOLID..... Aluminium Solid with Organic Semiconductive Electrolytic
- POS-SOLID..... Polymerized Organic Semiconductive
- DL-ELECT..... Double Layered Electrolytic
- PPS-FILM.....Polyphenylene Sulfide Film
- MT-PPS-FILM.....Metalized Polyphenylene Sulfide Film
- MT-PEN-FILM.....Metalized Polyethylenenaphthalate Film
- CAPACITOR.....Other



Material:

- CARBON..... Carbon
- MT-FILM..... Metal Film
- OXIDE-MT..... Oxide Metal Film
- SOLID..... Composition
- MT-GLAZE..... Metal Glaze
- WIRE WOUND... Wire Wound
- CERAMIC RES.. Ceramic
- FUSIBLE RES.... Fusible
- RESISTOR Other

Electrical Parts List

Key No.	Part No.	Description	Key No.	Part No.	Description
ASSEMBLED BOARDS					
△	610 322 8198	ASSY,PWB,COMPONENT MT8AD	△	FN912	645 078 8789 MOTOR,BLW DC 7.08W
△	610 322 8259	ASSY,PWB,AV MT8AD	△	FN913	645 084 2573 MOTOR,FAN DC 5.64W
△	610 322 8761	ASSY,PWB,D-SUB15 MT8AD	△	FN914	645 084 2511 MOTOR,FAN DC 3.36W
△	610 322 8839	ASSY,PWB,CGMOTHER MT8AD	△	FN915	645 084 2528 MOTOR,BLW DC 12.0W
△	610 322 8600	ASSY,PWB,SENSOR MT8AD	△	FN916	645 084 2535 MOTOR,BLW DC 15.0W
△	610 330 5011	ASSY,PWB,RS232C KF6A	△	FN917	645 078 8796 MOTOR,BLW DC 1.68W
△	610 324 8080	ASSY,PWB,DVI KF6A	△	FN918	645 078 8857 MOTOR,BLW DC 1.68W
△	610 328 9625	ASSY,PWB,MAIN KF6B	△	FN919	645 078 8796 MOTOR,BLW DC 1.68W
△	610 328 7201	ASSY,PWB,POWER KF6A	△	FN920	645 078 8857 MOTOR,BLW DC 1.68W
△	610 328 7171	ASSY,PWB,PBS FANNET KF6A	△	PFC1-2	645 053 2023 UNIT,POWER
△	610 328 7164	ASSY,PWB,EXH FANNET KF6A	△	PFC3-4	645 053 2023 UNIT,POWER
△	610 328 7157	ASSY,PWB,RGB IN FANNET KF6A	△	PTH901	408 043 5806 TH NTH4G42B104FD01
△	610 328 7119	ASSY,PWB,F-G NET KF6A	△	SW901	645 086 6470 SWITCH,POWER 4P-2TX2
△	610 328 7195	ASSY,PWB,AC NET KF6A	△	SW901A	610 327 3488 HOLDER ACSW-MA4A
△	610 328 7409	ASSY,PWB,MOTOR&AUDIO KF6A	△	SW902	645 076 8163 SWITCH,PUSH 1P-2TX1
△	610 328 7416	ASSY,PWB,CONTROL KF6A	△	SW903	645 084 8469 SWITCH,REED
△	610 328 7423	ASSY,PWB,FRONT LED KF6A	△	SW904	645 084 8469 SWITCH,REED
△	610 328 7430	ASSY,PWB,R/C1 KF6A	△	SW905	645 084 8469 SWITCH,REED
△	610 328 7447	ASSY,PWB,R/C2 KF6A	△	SW906	645 084 8469 SWITCH,REED
△	610 328 7461	ASSY,PWB,NET KF6A	W7C1	610 329 8276 CABLE,BALLAST KF6A	
△	610 328 7478	ASSY,PWB,REAR LED KF6A	W7C2	610 329 8276 CABLE,BALLAST KF6A	
△	610 328 7485	ASSY,PWB,LAMP FANNET KF6A	W7C3	610 329 8276 CABLE,BALLAST KF6A	
			W7C4	610 329 8276 CABLE,BALLAST KF6A	
KF6-XT4U00			W901	610 273 1781 CORD,ID-CONNECTOR M6MA	
△	610 328 7454	ASSY,PWB,LAMP NET KF6A	W902	610 290 7483 CORD,SHIELD 40P	
			W903	610 297 4867 CORD,SHIELD 38P	
LF6-XT4E00			WK2B-K90	610 287 1005 CORD,SHIELD 1P	
△	610 330 3659	ASSY,PWB,LAMP NET LF6A	WK2G-K90	610 287 0992 CORD,SHIELD 1P	
			WK2R-K90	610 287 0985 CORD,SHIELD 1P	
OUT OF CIRCUIT BOARDS			KF6-XT4U00		
COIL			A903	NIL	
L901	645 044 3817	CORE,CLAMP	△	F901	423 033 1804 FUSE 250V 30A
	645 050 8417	CORE,CLAMP	△	F901A	645 085 4958 HOLDER,FUSE
L902	645 044 3817	CORE,CLAMP		F901D	645 085 4965 HOLDER,FUSE (COVER)
	645 050 8417	CORE,CLAMP	△	K901	645 082 1066 SOCKET,INLET AC 3P
L903	645 044 3817	CORE,CLAMP			
	645 050 8417	CORE,CLAMP	LF6-XT4E00		
L904	645 044 3817	CORE,CLAMP	△	A903	645 055 8238 SURGE-ABSORBER
	645 050 8417	CORE,CLAMP	△	F901	423 028 4209 FUSE 400V 15A
L905	645 044 3817	CORE,CLAMP	△	F901A	645 061 4385 HOLDER,FUSE
	645 050 8417	CORE,CLAMP	△	K901	645 040 7598 SOCKET,INLET AC 3P
L906	645 044 3817	CORE,CLAMP	COMPONENT BOARD		
	645 050 8417	CORE,CLAMP	△	610 322 8198	ASSY,PWB,COMPONENT MT8AD
L907	645 044 3817	CORE,CLAMP	TRANSISTOR		
	645 050 8417	CORE,CLAMP	Q1011	405 014 4519	TR 2SC2412K T146 R
L908	645 044 3817	CORE,CLAMP		405 014 4618	TR 2SC2412K T146 S
	645 050 8417	CORE,CLAMP		405 015 8724	TR 2SC2812-L6-TB
L909	645 044 3817	CORE,CLAMP		405 015 8922	TR 2SC2812-L7-TB
	645 050 8417	CORE,CLAMP		405 163 1612	TR 2SC2812N-L6-TB0
L910	645 044 3817	CORE,CLAMP	Q1015	405 014 4519	TR 2SC2412K T146 R
	645 050 8417	CORE,CLAMP		405 014 4618	TR 2SC2412K T146 S
△	LF901	645 083 5032 UNIT,NOISE FILTER		405 015 8724	TR 2SC2812-L6-TB
△	LP901	610 327 4928 COMPL,OPTICAL LMP-MA4A(OSM3)		405 015 8922	TR 2SC2812-L7-TB
△	LP902	610 327 4928 COMPL,OPTICAL LMP-MA4A(OSM3)		405 163 1612	TR 2SC2812N-L6-TB0
△	LP903	610 327 4928 COMPL,OPTICAL LMP-MA4A(OSM3)	Q1062	405 014 4519	TR 2SC2412K T146 R
△	LP904	610 327 4928 COMPL,OPTICAL LMP-MA4A(OSM3)		405 014 4618	TR 2SC2412K T146 S
MISCELLANEOUS				405 015 8724	TR 2SC2812-L6-TB
△	A901	645 084 4140 UNIT,POWER(DC)		405 015 8922	TR 2SC2812-L7-TB
△	A902	645 054 8376 UNIT,SW-POWER SUPPLY		405 163 1612	TR 2SC2812N-L6-TB0
△	BALAST1	645 085 8277 UNIT,BALLAST	Q1063	405 014 4519	TR 2SC2412K T146 R
△	BALAST2	645 085 8277 UNIT,BALLAST		405 014 4618	TR 2SC2412K T146 S
△	BALAST3	645 085 8277 UNIT,BALLAST		405 015 8724	TR 2SC2812-L6-TB
△	BALAST4	645 052 5964 UNIT,BALLAST		405 015 8922	TR 2SC2812-L7-TB
△	FN901	645 041 7535 MOTOR,FAN DC 2.16W		405 163 1612	TR 2SC2812N-L6-TB0
△	FN903	645 084 2535 MOTOR,BLW DC 15.0W	Q1064	405 014 4519	TR 2SC2412K T146 R
△	FN904	645 084 2535 MOTOR,BLW DC 15.0W		405 014 4618	TR 2SC2412K T146 S
△	FN905	645 084 2535 MOTOR,BLW DC 15.0W		405 015 8724	TR 2SC2812-L6-TB
△	FN906	645 084 2542 MOTOR,FAN DC 6.96W		405 015 8922	TR 2SC2812-L7-TB
△	FN907	645 084 2399 MOTOR,FAN DC 1.92W		405 163 1612	TR 2SC2812N-L6-TB0
△	FN908	645 084 2399 MOTOR,FAN DC 1.92W	Q1066	405 014 4519	TR 2SC2412K T146 R
△	FN909	645 078 8789 MOTOR,BLW DC 7.08W		405 014 4618	TR 2SC2412K T146 S
△	FN910	645 078 8789 MOTOR,BLW DC 7.08W		405 015 8724	TR 2SC2812-L6-TB
△	FN911	645 078 8789 MOTOR,BLW DC 7.08W		405 015 8922	TR 2SC2812-L7-TB
				405 163 1612	TR 2SC2812N-L6-TB0

Key No.	Part No.	Description	Key No.	Part No.	Description
Q1068	405 014 4519	TR 2SC2412K T146 R	C1051	403 397 8810	NP-ELECT 4.7U M 16V
	405 014 4618	TR 2SC2412K T146 S	C1052	403 397 8919	NP-ELECT 0.1U M 50V
	405 015 8724	TR 2SC2812-L6-TB	C1053	403 398 6112	ELECT 1U M 50V
	405 015 8922	TR 2SC2812-L7-TB	C1054	403 397 9015	NP-ELECT 1.0U M 50V
	405 163 1612	TR 2SC2812N-L6-TB0	C1055	403 398 6518	ELECT 2.2U M 50V
Q1091	405 014 4519	TR 2SC2412K T146 R	C1056	403 398 6112	ELECT 1U M 50V
	405 014 4618	TR 2SC2412K T146 S	C1057	403 157 3611	CERAMIC 100P J 50V
	405 015 8724	TR 2SC2812-L6-TB	C1058	403 164 0214	CERAMIC 0.1U Z 25V
	405 015 8922	TR 2SC2812-L7-TB	C1059	403 398 2114	ELECT 330U M 6.3V
	405 163 1612	TR 2SC2812N-L6-TB0	C1063	403 398 6518	ELECT 2.2U M 50V
Q3011	405 014 4519	TR 2SC2412K T146 R	C1064	403 215 2211	CERAMIC 0.01U K 50V
	405 014 4618	TR 2SC2412K T146 S	C1065	403 391 5112	ELECT 100U M 16V
	405 015 8724	TR 2SC2812-L6-TB	C1066	403 149 9218	CERAMIC 0.01U Z 50V
	405 015 8922	TR 2SC2812-L7-TB	C1069	403 398 6112	ELECT 1U M 50V
	405 163 1612	TR 2SC2812N-L6-TB0	C1071	403 398 6112	ELECT 1U M 50V
Q3015	405 014 4519	TR 2SC2412K T146 R	C1072	403 398 3814	ELECT 220U M 16V
	405 014 4618	TR 2SC2412K T146 S	C2004	403 164 0214	CERAMIC 0.1U Z 25V
	405 015 8724	TR 2SC2812-L6-TB	C2005	403 398 2114	ELECT 330U M 6.3V
	405 015 8922	TR 2SC2812-L7-TB	C2006	403 164 0214	CERAMIC 0.1U Z 25V
	405 163 1612	TR 2SC2812N-L6-TB0	C2007	403 164 0214	CERAMIC 0.1U Z 25V
INTEGRATED CIRCUIT			C2008	403 398 2114	ELECT 330U M 6.3V
IC1004	410 343 7008	IC SN74AHCT1G14DBVR	C2040	403 398 3814	ELECT 220U M 16V
IC1005	410 343 7008	IC SN74AHCT1G14DBVR	C2044	403 398 2114	ELECT 330U M 6.3V
IC1051	409 484 2013	IC BA7078AF-E2	C2059	403 164 0214	CERAMIC 0.1U Z 25V
IC1052	410 343 7008	IC SN74AHCT1G14DBVR	C2072	403 164 0214	CERAMIC 0.1U Z 25V
IC1053	410 343 7008	IC SN74AHCT1G14DBVR	C2073	403 164 0214	CERAMIC 0.1U Z 25V
IC1054	410 392 4706	IC SN74AHCT1G125DCK	C2074	403 149 9218	CERAMIC 0.01U Z 50V
IC1056	410 343 7008	IC SN74AHCT1G14DBVR	C2075	403 149 9218	CERAMIC 0.01U Z 50V
IC1061	409 502 8703	IC TA1318N	C2076	403 149 9218	CERAMIC 0.01U Z 50V
IC2041	409 461 7829	IC PQ20WZ11	C2078	403 164 0214	CERAMIC 0.1U Z 25V
IC2051	409 441 8416	IC LA7217M-T-TRM	C2079	403 164 0214	CERAMIC 0.1U Z 25V
IC2052	410 365 2104	IC SN74LS221DBR	C2081	403 398 1810	ELECT 220U M 6.3V
IC2071	409 470 2614	IC AD8183ARUZ-REEL7	C2082	403 149 9218	CERAMIC 0.01U Z 50V
IC2081	409 404 6322	IC M62320FP-DF5J	C2083	403 149 9218	CERAMIC 0.01U Z 50V
IC2082	409 463 7510	IC 24LC02BT-I/SNG	C2085	403 149 9218	CERAMIC 0.01U Z 50V
	409 417 5517	IC 24LC04BT/SN	C2086	403 398 1810	ELECT 220U M 6.3V
IC2091	410 358 1503	IC TC74HC4053AFT(EL)	C2087	403 164 0214	CERAMIC 0.1U Z 25V
IC3031	409 380 6313	IC HIN232CBZ	C2088	403 164 0214	CERAMIC 0.1U Z 25V
	409 273 3531	IC SP232ACT-L	C2089	403 164 0214	CERAMIC 0.1U Z 25V
IC3051	410 296 5700	IC TWM7000-151020	C3001	403 391 5518	ELECT 10U M 16V
IC3061	410 275 5806	IC TWM7000-162020	C3002	403 391 5518	ELECT 10U M 16V
	410 275 5707	IC TWM7000-162020	C3003	403 164 0214	CERAMIC 0.1U Z 25V
IC3071	409 416 6515	IC BA05FP-E2	C3021	403 283 6319	CERAMIC 1U Z 10V
IC3081	409 461 7314	IC AD8057ARTZ-REEL7	C3031	403 283 6319	CERAMIC 1U Z 10V
IC3082	409 461 7314	IC AD8057ARTZ-REEL7	C3032	403 398 6112	ELECT 1U M 50V
IC3083	409 461 7314	IC AD8057ARTZ-REEL7	C3033	403 398 6112	ELECT 1U M 50V
IC3084	409 461 7314	IC AD8057ARTZ-REEL7	C3034	403 398 6112	ELECT 1U M 50V
IC3091	409 395 5912	IC TC7SH00FU-(TE85L)	C3035	403 398 6112	ELECT 1U M 50V
CAPACITOR			C3041	403 283 6319	CERAMIC 1U Z 10V
C1001	403 397 8810	NP-ELECT 4.7U M 16V	C3051	403 391 5310	ELECT 47U M 6.3V
C1002	403 397 8810	NP-ELECT 4.7U M 16V	C3052	403 283 6319	CERAMIC 1U Z 10V
C1003	403 155 1510	CERAMIC 180P J 50V	C3053	403 398 6112	ELECT 1U M 50V
C1004	403 146 0515	CERAMIC 1200P K 50V	C3054	403 283 6319	CERAMIC 1U Z 10V
C1005	403 397 8414	NP-ELECT 47U M 6.3V	C3061	403 283 6319	CERAMIC 1U Z 10V
C1006	403 397 8414	NP-ELECT 47U M 6.3V	C3062	403 283 6319	CERAMIC 1U Z 10V
C1007	403 397 8414	NP-ELECT 47U M 6.3V	C3071	403 164 0214	CERAMIC 0.1U Z 25V
C1012	403 398 2114	ELECT 330U M 6.3V	C3072	403 398 2114	ELECT 330U M 6.3V
C1013	403 164 0214	CERAMIC 0.1U Z 25V	C3081	403 157 1518	CERAMIC 3P C 50V
C1014	403 398 2114	ELECT 330U M 6.3V	C3082	403 157 1914	CERAMIC 10P D 50V
C1015	403 164 0214	CERAMIC 0.1U Z 25V	C3083	403 157 1518	CERAMIC 3P C 50V
C1021	403 157 1518	CERAMIC 3P C 50V	C3084	403 157 1914	CERAMIC 10P D 50V
C1022	403 157 1914	CERAMIC 10P D 50V	C3085	403 157 1518	CERAMIC 3P C 50V
C1023	403 391 5211	ELECT 47U M 16V	C3086	403 157 1914	CERAMIC 10P D 50V
C1027	403 392 1212	ELECT 47U M 6.3V	RESISTOR		
C1028	403 164 0214	CERAMIC 0.1U Z 25V	R1001	401 226 1216	MT-GLAZE 150 FA 1/16W
C1029	403 398 6112	ELECT 1U M 50V	R1002	401 226 1216	MT-GLAZE 150 FA 1/16W
C1031	403 215 2211	CERAMIC 0.01U K 50V	R1004	401 226 1216	MT-GLAZE 150 FA 1/16W
C1032	403 157 6919	CERAMIC 820P K 50V	R1005	401 226 1216	MT-GLAZE 150 FA 1/16W
C1033	403 397 9015	NP-ELECT 1.0U M 50V	R1007	401 226 1216	MT-GLAZE 150 FA 1/16W
C1034	403 237 8710	CERAMIC 0.056U Z 50V	R1008	401 226 1216	MT-GLAZE 150 FA 1/16W
C1035	403 224 6613	CERAMIC 0.022U Z 50V	R1010	401 113 4719	MT-GLAZE 130 JA 1/16W
C1036	403 164 0214	CERAMIC 0.1U Z 25V	R1011	401 113 4719	MT-GLAZE 130 JA 1/16W
C1037	403 164 0214	CERAMIC 0.1U Z 25V	R1012	401 105 7919	MT-GLAZE 0.000 ZA 1/16W
C1038	403 164 0214	CERAMIC 0.1U Z 25V	R1014	401 105 0415	MT-GLAZE 100 JA 1/16W
C1041	403 164 0214	CERAMIC 0.1U Z 25V	R1015	401 113 4719	MT-GLAZE 130 JA 1/16W
C1042	403 164 0214	CERAMIC 0.1U Z 25V	R1016	401 105 7919	MT-GLAZE 0.000 ZA 1/16W
C1043	403 392 1212	ELECT 47U M 6.3V	R1018	401 113 4917	MT-GLAZE 200 JA 1/16W
C1044	403 164 0214	CERAMIC 0.1U Z 25V	R1019	401 113 4719	MT-GLAZE 130 JA 1/16W

Electrical Parts List

Key No.	Part No.	Description	Key No.	Part No.	Description
R1021	401 105 0712	MT-GLAZE 100K JA 1/16W	R2081	401 105 2815	MT-GLAZE 2.2K JA 1/16W
R1025	401 105 0712	MT-GLAZE 100K JA 1/16W	R2082	401 105 7919	MT-GLAZE 0.000 ZA 1/16W
R1029	401 105 0712	MT-GLAZE 100K JA 1/16W	R2084	401 105 0415	MT-GLAZE 100 JA 1/16W
R1037	401 105 0712	MT-GLAZE 100K JA 1/16W	R2085	401 105 0415	MT-GLAZE 100 JA 1/16W
R1038	401 105 1719	MT-GLAZE 150K JA 1/16W	R2086	401 105 0415	MT-GLAZE 100 JA 1/16W
R1039	401 105 5410	MT-GLAZE 47K JA 1/16W	R2087	401 105 0415	MT-GLAZE 100 JA 1/16W
R1040	401 105 5410	MT-GLAZE 47K JA 1/16W	R2097	401 105 7919	MT-GLAZE 0.000 ZA 1/16W
R1041	401 105 4512	MT-GLAZE 390 JA 1/16W	R2098	401 105 7919	MT-GLAZE 0.000 ZA 1/16W
R1042	401 105 0514	MT-GLAZE 1K JA 1/16W	R2099	401 105 7919	MT-GLAZE 0.000 ZA 1/16W
R1043	401 105 0514	MT-GLAZE 1K JA 1/16W	R3001	401 105 5519	MT-GLAZE 470K JA 1/16W
R1044	401 105 2518	MT-GLAZE 20K JA 1/16W	R3002	401 105 5519	MT-GLAZE 470K JA 1/16W
R1045	401 105 7513	MT-GLAZE 82K JA 1/16W	R3003	401 105 0415	MT-GLAZE 100 JA 1/16W
R1046	401 105 0415	MT-GLAZE 100 JA 1/16W	R3004	401 105 0415	MT-GLAZE 100 JA 1/16W
R1047	401 105 0514	MT-GLAZE 1K JA 1/16W	R3006	401 105 2815	MT-GLAZE 2.2K JA 1/16W
R1048	401 105 0514	MT-GLAZE 1K JA 1/16W	R3007	401 113 6614	MT-GLAZE 7.5K JA 1/16W
R1049	401 105 0514	MT-GLAZE 1K JA 1/16W	R3008	401 105 3010	MT-GLAZE 220K JA 1/16W
R1051	401 105 7919	MT-GLAZE 0.000 ZA 1/16W	R3009	401 105 3010	MT-GLAZE 220K JA 1/16W
R1053	401 105 8015	MT-GLAZE 1M JA 1/16W	R3011	401 105 3010	MT-GLAZE 220K JA 1/16W
R1054	401 105 4611	MT-GLAZE 3.9K JA 1/16W	R3012	401 105 0415	MT-GLAZE 100 JA 1/16W
R1055	401 105 0415	MT-GLAZE 100 JA 1/16W	R3013	401 105 2815	MT-GLAZE 2.2K JA 1/16W
R1056	401 105 0415	MT-GLAZE 100 JA 1/16W	R3014	401 105 0415	MT-GLAZE 100 JA 1/16W
R1059	401 105 0415	MT-GLAZE 100 JA 1/16W	R3015	401 105 3010	MT-GLAZE 220K JA 1/16W
R1060	401 105 0415	MT-GLAZE 100 JA 1/16W	R3016	401 105 0415	MT-GLAZE 100 JA 1/16W
R1061	401 105 0415	MT-GLAZE 100 JA 1/16W	R3017	401 105 2815	MT-GLAZE 2.2K JA 1/16W
R1062	401 105 0415	MT-GLAZE 100 JA 1/16W	R3018	401 105 0415	MT-GLAZE 100 JA 1/16W
R1063	401 113 6614	MT-GLAZE 7.5K JA 1/16W	R3021	401 105 7919	MT-GLAZE 0.000 ZA 1/16W
R1064	401 113 5211	MT-GLAZE 360 JA 1/16W	R3022	401 105 7919	MT-GLAZE 0.000 ZA 1/16W
R1065	401 105 0415	MT-GLAZE 100 JA 1/16W	R3023	401 105 5410	MT-GLAZE 47K JA 1/16W
R1066	401 105 0415	MT-GLAZE 100 JA 1/16W	R3027	401 105 0613	MT-GLAZE 10K JA 1/16W
R1067	401 105 0415	MT-GLAZE 100 JA 1/16W	R3028	401 105 0613	MT-GLAZE 10K JA 1/16W
R1068	401 105 0613	MT-GLAZE 10K JA 1/16W	R3031	401 105 7919	MT-GLAZE 0.000 ZA 1/16W
R1069	401 105 0415	MT-GLAZE 100 JA 1/16W	R3045	401 105 0613	MT-GLAZE 10K JA 1/16W
R1070	401 105 3010	MT-GLAZE 220K JA 1/16W	R3046	401 105 0613	MT-GLAZE 10K JA 1/16W
R1071	401 105 0415	MT-GLAZE 100 JA 1/16W	R3047	401 105 0613	MT-GLAZE 10K JA 1/16W
R1072	401 105 3010	MT-GLAZE 220K JA 1/16W	R3048	401 105 7919	MT-GLAZE 0.000 ZA 1/16W
R1073	401 105 0415	MT-GLAZE 100 JA 1/16W	R3051	401 105 0613	MT-GLAZE 10K JA 1/16W
R1075	401 105 0613	MT-GLAZE 10K JA 1/16W	R3052	401 105 0613	MT-GLAZE 10K JA 1/16W
R1076	401 105 0415	MT-GLAZE 100 JA 1/16W	R3053	401 105 7919	MT-GLAZE 0.000 ZA 1/16W
R1077	401 113 5112	MT-GLAZE 300 JA 1/16W	R3054	401 105 7919	MT-GLAZE 0.000 ZA 1/16W
R1078	401 105 0415	MT-GLAZE 100 JA 1/16W	R3061	401 105 0613	MT-GLAZE 10K JA 1/16W
R1079	401 105 5212	MT-GLAZE 470 JA 1/16W	R3062	401 105 0613	MT-GLAZE 10K JA 1/16W
R1081	401 105 1719	MT-GLAZE 150K JA 1/16W	R3063	401 105 0415	MT-GLAZE 100 JA 1/16W
R1082	401 177 2119	MT-GLAZE 4.7M JA 1/16W	R3064	401 105 0613	MT-GLAZE 10K JA 1/16W
R1083	401 105 4116	MT-GLAZE 3.3K JA 1/16W	R3065	401 105 0613	MT-GLAZE 10K JA 1/16W
R1084	401 105 0514	MT-GLAZE 1K JA 1/16W	R3066	401 105 7919	MT-GLAZE 0.000 ZA 1/16W
R1085	401 105 0514	MT-GLAZE 1K JA 1/16W	R3072	401 035 4118	MT-GLAZE 0.000 ZA 1/8W
R1086	401 105 4710	MT-GLAZE 39K JA 1/16W	R3074	401 105 0514	MT-GLAZE 1K JA 1/16W
R1087	401 105 0316	MT-GLAZE 10 JA 1/16W	R3081	401 105 5915	MT-GLAZE 560 JA 1/16W
R1088	401 105 4611	MT-GLAZE 3.9K JA 1/16W	R3083	401 105 0514	MT-GLAZE 1K JA 1/16W
R1089	401 113 6614	MT-GLAZE 7.5K JA 1/16W	R3084	401 105 5915	MT-GLAZE 560 JA 1/16W
R1091	401 105 0613	MT-GLAZE 10K JA 1/16W	R3086	401 105 0514	MT-GLAZE 1K JA 1/16W
R1092	401 105 0613	MT-GLAZE 10K JA 1/16W	R3087	401 105 5915	MT-GLAZE 560 JA 1/16W
R1093	401 105 0613	MT-GLAZE 10K JA 1/16W	R3089	401 105 0514	MT-GLAZE 1K JA 1/16W
R1094	401 105 0613	MT-GLAZE 10K JA 1/16W	R3091	401 105 7919	MT-GLAZE 0.000 ZA 1/16W
R2001	401 105 4512	MT-GLAZE 390 JA 1/16W	R3092	401 105 7919	MT-GLAZE 0.000 ZA 1/16W
R2002	401 105 4512	MT-GLAZE 390 JA 1/16W	R3093	401 105 7919	MT-GLAZE 0.000 ZA 1/16W
R2003	401 105 4512	MT-GLAZE 390 JA 1/16W	RB3041	645 025 5380	R-NETWORK 10KX4 1/16W
R2004	401 105 4017	MT-GLAZE 330 JA 1/16W		645 026 8014	R-NETWORK 10KX4 1/16W
R2005	401 105 4017	MT-GLAZE 330 JA 1/16W	COIL		
R2006	401 105 4017	MT-GLAZE 330 JA 1/16W	L1004	645 025 0637	FILTER,EMI 190PF
R2007	401 105 4017	MT-GLAZE 330 JA 1/16W	L1005	645 025 0637	FILTER,EMI 190PF
R2008	401 105 4017	MT-GLAZE 330 JA 1/16W	L1061	645 036 3894	INDUCTOR,220 OHM
R2009	401 105 4017	MT-GLAZE 330 JA 1/16W	L2001	645 040 7796	FILTER,LP 30MHZ
R2011	401 105 7919	MT-GLAZE 0.000 ZA 1/16W	L2002	645 040 7796	FILTER,LP 30MHZ
R2012	401 105 7919	MT-GLAZE 0.000 ZA 1/16W	L2003	645 040 7796	FILTER,LP 30MHZ
R2013	401 105 7919	MT-GLAZE 0.000 ZA 1/16W	L2071	645 036 3894	INDUCTOR,220 OHM
R2014	401 105 7919	MT-GLAZE 0.000 ZA 1/16W	L2072	645 036 3894	INDUCTOR,220 OHM
R2042	401 113 5211	MT-GLAZE 360 JA 1/16W	L3001	645 014 2659	FILTER,EMI 10MHZ
R2043	401 105 5311	MT-GLAZE 4.7K JA 1/16W	L3002	645 014 2659	FILTER,EMI 10MHZ
R2044	401 105 2815	MT-GLAZE 2.2K JA 1/16W	L3003	645 014 2659	FILTER,EMI 10MHZ
R2045	401 035 4118	MT-GLAZE 0.000 ZA 1/8W	L3004	645 014 2659	FILTER,EMI 10MHZ
R2046	401 035 4118	MT-GLAZE 0.000 ZA 1/8W	L3005	645 014 2659	FILTER,EMI 10MHZ
R2047	401 036 8917	MT-GLAZE 5.6 JA 1/8W	L3006	645 014 2659	FILTER,EMI 10MHZ
R2070	401 105 0613	MT-GLAZE 10K JA 1/16W	L3007	645 014 2659	FILTER,EMI 10MHZ
R2071	401 105 0613	MT-GLAZE 10K JA 1/16W	L3008	645 014 2659	FILTER,EMI 10MHZ
R2077	401 105 7919	MT-GLAZE 0.000 ZA 1/16W	L3009	645 014 2659	FILTER,EMI 10MHZ
R2078	401 105 7919	MT-GLAZE 0.000 ZA 1/16W	DIODE		
R2079	401 105 7919	MT-GLAZE 0.000 ZA 1/16W	D1007	407 223 1112	ZENER DIODE 02DZ6.2Y(TPH3

Electrical Parts List

Key No.	Part No.	Description	Key No.	Part No.	Description
D1008	407 223 1112	ZENER DIODE 02DZ6.2Y(TPH3)		405 147 2215	TR 2SA1037AK-S-T146
D1009	407 223 1112	ZENER DIODE 02DZ6.2Y(TPH3)		405 002 0318	TR 2SA1037K T146 R
D1011	407 223 1112	ZENER DIODE 02DZ6.2Y(TPH3)		405 002 0417	TR 2SA1037K T146 S
D1012	407 092 9526	DIODE SB07-03C-TB		405 002 6726	TR 2SA1179-M6-TB
D1013	407 092 9526	DIODE SB07-03C-TB		405 002 6924	TR 2SA1179-M7-TB
D1014	407 149 0817	DIODE 1SS355-TE-17		405 163 1513	TR 2SA1179N-M6-TB
D1015	407 149 0817	DIODE 1SS355-TE-17	Q1161	405 134 5925	TR 2SA1037AK-T146-R
D2081	407 149 0817	DIODE 1SS355-TE-17		405 147 2215	TR 2SA1037AK-S-T146
D2082	407 149 0817	DIODE 1SS355-TE-17		405 002 0318	TR 2SA1037K T146 R
D3001	407 223 0511	ZENER DIODE 02DZ12Y(TPH3)		405 002 0417	TR 2SA1037K T146 S
D3002	407 223 0511	ZENER DIODE 02DZ12Y(TPH3)		405 002 6726	TR 2SA1179-M6-TB
D3003	407 223 0511	ZENER DIODE 02DZ12Y(TPH3)		405 002 6924	TR 2SA1179-M7-TB
D3004	407 223 0511	ZENER DIODE 02DZ12Y(TPH3)		405 163 1513	TR 2SA1179N-M6-TB
D3005	407 223 0511	ZENER DIODE 02DZ12Y(TPH3)	Q1162	405 014 4519	TR 2SC2412K T146 R
D3006	407 223 0511	ZENER DIODE 02DZ12Y(TPH3)		405 014 4618	TR 2SC2412K T146 S
D3007	407 223 0511	ZENER DIODE 02DZ12Y(TPH3)		405 015 8724	TR 2SC2812-L6-TB
D3008	407 223 0511	ZENER DIODE 02DZ12Y(TPH3)		405 015 8922	TR 2SC2812-L7-TB
D3009	407 223 0511	ZENER DIODE 02DZ12Y(TPH3)		405 163 1612	TR 2SC2812N-L6-TB0
D3011	407 223 0511	ZENER DIODE 02DZ12Y(TPH3)	Q1163	405 134 5925	TR 2SA1037AK-T146-R
D3012	407 223 0511	ZENER DIODE 02DZ12Y(TPH3)		405 147 2215	TR 2SA1037AK-S-T146
D3013	407 223 0511	ZENER DIODE 02DZ12Y(TPH3)		405 002 0318	TR 2SA1037K T146 R
D3014	407 223 0511	ZENER DIODE 02DZ12Y(TPH3)		405 002 0417	TR 2SA1037K T146 S
D3015	407 223 1112	ZENER DIODE 02DZ6.2Y(TPH3)		405 002 6726	TR 2SA1179-M6-TB
MISCELLANEOUS				405 002 6924	TR 2SA1179-M7-TB
K10A	645 028 0412	SOCKET,BNC 5P		405 163 1513	TR 2SA1179N-M6-TB
K10B	645 040 9974	JACK,RCA-2	Q1164	405 134 5925	TR 2SA1037AK-T146-R
K10C	645 041 1076	SOCKET,DIN 8P		405 147 2215	TR 2SA1037AK-S-T146
K10H	645 041 6071	SOCKET,I/O 176P		405 002 0318	TR 2SA1037K T146 R
SC1001	645 076 3502	SURGE-ABSORBER		405 002 0417	TR 2SA1037K T146 S
SC1002	645 076 3502	SURGE-ABSORBER		405 002 6726	TR 2SA1179-M6-TB
SC1003	645 076 3502	SURGE-ABSORBER		405 002 6924	TR 2SA1179-M7-TB
X1061	645 046 9213	OSC,CERAMIC 503.0KHZ		405 163 1513	TR 2SA1179N-M6-TB
X1062	645 006 3459	OSC,CERAMIC 500.0KHZ	Q161	405 014 4519	TR 2SC2412K T146 R
X3051	645 021 1218	OSC,CERAMIC 8.00MHZ		405 014 4618	TR 2SC2412K T146 S
	645 037 5187	OSC,CERAMIC 8.00MHZ		405 015 8724	TR 2SC2812-L6-TB
X3061	645 021 1218	OSC,CERAMIC 8.00MHZ		405 015 8922	TR 2SC2812-L7-TB
	645 037 5187	OSC,CERAMIC 8.00MHZ	Q162	405 163 1612	TR 2SC2812N-L6-TB0
AV BOARD				405 014 4519	TR 2SC2412K T146 R
△	610 322 8259	ASSY,PWB,AV MT8AD		405 014 4618	TR 2SC2412K T146 S
TRANSISTOR				405 015 8724	TR 2SC2812-L6-TB
Q101	405 014 4519	TR 2SC2412K T146 R	Q163	405 015 8922	TR 2SC2812-L7-TB
	405 014 4618	TR 2SC2412K T146 S		405 163 1612	TR 2SC2812N-L6-TB0
	405 015 8724	TR 2SC2812-L6-TB		405 014 4519	TR 2SC2412K T146 R
	405 015 8922	TR 2SC2812-L7-TB		405 015 8724	TR 2SC2812-L6-TB
Q102	405 163 1612	TR 2SC2812N-L6-TB0	Q164	405 015 8922	TR 2SC2812-L7-TB
	405 014 4519	TR 2SC2412K T146 R		405 163 1612	TR 2SC2812N-L6-TB0
	405 014 4618	TR 2SC2412K T146 S		405 134 5925	TR 2SA1037AK-T146-R
	405 015 8724	TR 2SC2812-L6-TB		405 147 2215	TR 2SA1037AK-S-T146
	405 015 8922	TR 2SC2812-L7-TB		405 002 0318	TR 2SA1037K T146 R
Q1101	405 163 1612	TR 2SC2812N-L6-TB0		405 002 0417	TR 2SA1037K T146 S
	405 014 4519	TR 2SC2412K T146 R		405 002 6726	TR 2SA1179-M6-TB
	405 014 4618	TR 2SC2412K T146 S	Q165	405 002 6924	TR 2SA1179-M7-TB
	405 015 8724	TR 2SC2812-L6-TB		405 163 1513	TR 2SA1179N-M6-TB
	405 015 8922	TR 2SC2812-L7-TB		405 014 4519	TR 2SC2412K T146 R
Q1151	405 163 1612	TR 2SC2812N-L6-TB0	Q166	405 014 4618	TR 2SC2412K T146 S
	405 134 5925	TR 2SA1037AK-T146-R		405 015 8724	TR 2SC2812-L6-TB
	405 147 2215	TR 2SA1037AK-S-T146		405 015 8922	TR 2SC2812-L7-TB
	405 002 0318	TR 2SA1037K T146 R		405 163 1612	TR 2SC2812N-L6-TB0
	405 002 0417	TR 2SA1037K T146 S		405 134 5925	TR 2SA1037AK-T146-R
	405 002 6726	TR 2SA1179-M6-TB		405 147 2215	TR 2SA1037AK-S-T146
	405 002 6924	TR 2SA1179-M7-TB		405 002 0318	TR 2SA1037K T146 R
Q1152	405 163 1513	TR 2SA1179N-M6-TB		405 002 0417	TR 2SA1037K T146 S
	405 014 4519	TR 2SC2412K T146 R		405 002 6726	TR 2SA1179-M6-TB
	405 014 4618	TR 2SC2412K T146 S	Q167	405 002 6924	TR 2SA1179-M7-TB
	405 015 8724	TR 2SC2812-L6-TB		405 163 1513	TR 2SA1179N-M6-TB
	405 015 8922	TR 2SC2812-L7-TB		405 014 4519	TR 2SC2412K T146 R
Q1153	405 163 1612	TR 2SC2812N-L6-TB0		405 014 4618	TR 2SC2412K T146 S
	405 134 5925	TR 2SA1037AK-T146-R	Q168	405 015 8724	TR 2SC2812-L6-TB
	405 147 2215	TR 2SA1037AK-S-T146		405 015 8922	TR 2SC2812-L7-TB
	405 002 0318	TR 2SA1037K T146 R		405 163 1612	TR 2SC2812N-L6-TB0
	405 002 0417	TR 2SA1037K T146 S	Q2101	405 134 5925	TR 2SA1037AK-T146-R
	405 002 6726	TR 2SA1179-M6-TB		405 147 2215	TR 2SA1037AK-S-T146
	405 002 6924	TR 2SA1179-M7-TB			
Q1156	405 163 1513	TR 2SA1179N-M6-TB			
	405 134 5925	TR 2SA1037AK-T146-R			

Electrical Parts List

Key No.	Part No.	Description	Key No.	Part No.	Description
	405 002 0318	TR 2SA1037K T146 R		405 015 8724	TR 2SC2812-L6-TB
	405 002 0417	TR 2SA1037K T146 S		405 015 8922	TR 2SC2812-L7-TB
	405 002 6726	TR 2SA1179-M6-TB		405 163 1612	TR 2SC2812N-L6-TB0
	405 002 6924	TR 2SA1179-M7-TB	Q4182	405 014 4519	TR 2SC2412K T146 R
Q2151	405 163 1513	TR 2SA1179N-M6-TB		405 014 4618	TR 2SC2412K T146 S
	405 014 4519	TR 2SC2412K T146 R		405 015 8724	TR 2SC2812-L6-TB
	405 014 4618	TR 2SC2412K T146 S		405 015 8922	TR 2SC2812-L7-TB
	405 015 8724	TR 2SC2812-L6-TB	Q4185	405 163 1612	TR 2SC2812N-L6-TB0
	405 015 8922	TR 2SC2812-L7-TB		405 134 5925	TR 2SA1037AK-T146-R
Q2191	405 163 1612	TR 2SC2812N-L6-TB0		405 147 2215	TR 2SA1037AK-S-T146
	405 134 5925	TR 2SA1037AK-T146-R		405 002 0318	TR 2SA1037K T146 R
	405 147 2215	TR 2SA1037AK-S-T146		405 002 0417	TR 2SA1037K T146 S
	405 002 0318	TR 2SA1037K T146 R		405 002 6726	TR 2SA1179-M6-TB
	405 002 0417	TR 2SA1037K T146 S		405 163 1513	TR 2SA1179N-M6-TB
	405 002 6726	TR 2SA1179-M6-TB	Q5101	405 014 4519	TR 2SC2412K T146 R
	405 002 6924	TR 2SA1179-M7-TB		405 014 4618	TR 2SC2412K T146 S
Q3100	405 163 1513	TR 2SA1179N-M6-TB		405 015 8724	TR 2SC2812-L6-TB
	405 014 4519	TR 2SC2412K T146 R		405 015 8922	TR 2SC2812-L7-TB
	405 014 4618	TR 2SC2412K T146 S	Q5103	405 163 1612	TR 2SC2812N-L6-TB0
	405 015 8724	TR 2SC2812-L6-TB		405 134 5925	TR 2SA1037AK-T146-R
	405 015 8922	TR 2SC2812-L7-TB		405 147 2215	TR 2SA1037AK-S-T146
Q3101	405 163 1612	TR 2SC2812N-L6-TB0		405 002 0318	TR 2SA1037K T146 R
	405 014 4519	TR 2SC2412K T146 R		405 002 0417	TR 2SA1037K T146 S
	405 014 4618	TR 2SC2412K T146 S		405 002 6726	TR 2SA1179-M6-TB
	405 015 8724	TR 2SC2812-L6-TB		405 163 1513	TR 2SA1179N-M6-TB
	405 015 8922	TR 2SC2812-L7-TB	Q5104	405 014 4519	TR 2SC2412K T146 R
Q3102	405 163 1612	TR 2SC2812N-L6-TB0		405 014 4618	TR 2SC2412K T146 S
	405 014 4519	TR 2SC2412K T146 R		405 015 8724	TR 2SC2812-L6-TB
	405 014 4618	TR 2SC2412K T146 S		405 015 8922	TR 2SC2812-L7-TB
	405 015 8724	TR 2SC2812-L6-TB	Q5105	405 163 1612	TR 2SC2812N-L6-TB0
	405 015 8922	TR 2SC2812-L7-TB		405 014 4519	TR 2SC2412K T146 R
Q3141	405 163 1612	TR 2SC2812N-L6-TB0		405 014 4618	TR 2SC2412K T146 S
	405 134 5925	TR 2SA1037AK-T146-R		405 015 8724	TR 2SC2812-L6-TB
	405 147 2215	TR 2SA1037AK-S-T146		405 015 8922	TR 2SC2812-L7-TB
	405 002 0318	TR 2SA1037K T146 R	Q5106	405 163 1612	TR 2SC2812N-L6-TB0
	405 002 0417	TR 2SA1037K T146 S		405 014 4519	TR 2SC2412K T146 R
	405 002 6726	TR 2SA1179-M6-TB		405 014 4618	TR 2SC2412K T146 S
	405 002 6924	TR 2SA1179-M7-TB		405 015 8724	TR 2SC2812-L6-TB
Q3143	405 163 1513	TR 2SA1179N-M6-TB		405 015 8922	TR 2SC2812-L7-TB
	405 014 4519	TR 2SC2412K T146 R	Q5107	405 163 1612	TR 2SC2812N-L6-TB0
	405 014 4618	TR 2SC2412K T146 S		405 014 4519	TR 2SC2412K T146 R
	405 015 8724	TR 2SC2812-L6-TB		405 014 4618	TR 2SC2412K T146 S
	405 015 8922	TR 2SC2812-L7-TB		405 015 8724	TR 2SC2812-L6-TB
Q3144	405 163 1612	TR 2SC2812N-L6-TB0		405 015 8922	TR 2SC2812-L7-TB
	405 014 4519	TR 2SC2412K T146 R		405 163 1612	TR 2SC2812N-L6-TB0
	405 014 4618	TR 2SC2412K T146 S	INTEGRATED CIRCUIT	IC1101	409 453 9319 IC UPD64082GF-3BA
	405 015 8724	TR 2SC2812-L6-TB		IC1121	409 416 6416 IC BA033FP-E2
	405 015 8922	TR 2SC2812-L7-TB		IC1131	410 342 8808 IC MSM54V16258BSL-40TS-K
Q3145	405 163 1612	TR 2SC2812N-L6-TB0		IC1141	409 051 2930 IC TC4053BF(EL)
	405 134 5925	TR 2SA1037AK-T146-R		IC1181	409 051 2930 IC TC4053BF(EL)
	405 147 2215	TR 2SA1037AK-S-T146		IC1191	409 397 3015 IC TC7SET04FU-(TE85L)
	405 002 0318	TR 2SA1037K T146 R		IC141	409 051 2930 IC TC4053BF(EL)
	405 002 0417	TR 2SA1037K T146 S		IC181	409 461 7314 IC AD8057ARTZ-REEL7
	405 002 6726	TR 2SA1179-M6-TB		IC182	409 461 7314 IC AD8057ARTZ-REEL7
	405 002 6924	TR 2SA1179-M7-TB		IC183	409 461 7314 IC AD8057ARTZ-REEL7
Q3160	405 163 1513	TR 2SA1179N-M6-TB		IC184	409 461 7314 IC AD8057ARTZ-REEL7
	405 014 4519	TR 2SC2412K T146 R		IC2101	409 442 1317 IC CXD2064Q
	405 014 4618	TR 2SC2412K T146 S		IC2141	409 422 5816 IC M62398FP
	405 015 8724	TR 2SC2812-L6-TB		IC2142	409 404 6322 IC M62320FP-DF5J
	405 015 8922	TR 2SC2812-L7-TB		IC2143	409 392 7513 IC 24LC08BT-I/SNG
Q3181	405 163 1612	TR 2SC2812N-L6-TB0		IC2151	409 250 9829 IC TC4W53F-TE12L
	405 014 4519	TR 2SC2412K T146 R		IC2161	409 051 2930 IC TC4053BF(EL)
	405 014 4618	TR 2SC2412K T146 S		IC3121	409 408 4215 IC TDA8395T/N3
	405 015 8724	TR 2SC2812-L6-TB		IC3131	409 435 3816 IC TDA4665T/V5T
	405 015 8922	TR 2SC2812-L7-TB		IC3141	409 449 2911 IC CXA2019AQ
Q3182	405 163 1612	TR 2SC2812N-L6-TB0		IC3151	409 461 7314 IC AD8057ARTZ-REEL7
	405 014 4519	TR 2SC2412K T146 R		IC3161	409 493 2912 IC SI-3012LU-TL
	405 014 4618	TR 2SC2412K T146 S		IC4101	409 474 0012 IC CXA2101AQ
	405 015 8724	TR 2SC2812-L6-TB		IC4111	409 397 3015 IC TC7SET04FU-(TE85L)
	405 015 8922	TR 2SC2812-L7-TB		IC4112	409 397 3015 IC TC7SET04FU-(TE85L)
Q3183	405 163 1612	TR 2SC2812N-L6-TB0		IC4181	409 051 2930 IC TC4053BF(EL)
	405 014 4519	TR 2SC2412K T146 R		IC5101	409 422 6615 IC TC90A11F
	405 014 4618	TR 2SC2412K T146 S		IC5111	409 325 4223 IC PST600DMT
	405 015 8724	TR 2SC2812-L6-TB	Q4101	IC5150	410 365 2005 IC MSM518221A-25GS-K
	405 015 8922	TR 2SC2812-L7-TB		IC5181	409 461 7314 IC AD8057ARTZ-REEL7
Q4101	405 163 1612	TR 2SC2812N-L6-TB0			
	405 014 4519	TR 2SC2412K T146 R			
	405 014 4618	TR 2SC2412K T146 S			

Electrical Parts List

KF6-XT4U00
LF6-XT4E00

Key No.	Part No.	Description	Key No.	Part No.	Description
IC5182	409 461 7314	IC AD8057ARTZ-REEL7	C2116	403 283 6319	CERAMIC 1U Z 10V
IC5183	409 461 7314	IC AD8057ARTZ-REEL7	C2117	403 164 0214	CERAMIC 0.1U Z 25V
CAPACITOR			C2118	401 105 0415	MT-GLAZE 100 JA 1/16W
C101	403 391 5518	ELECT 10U M 16V	C2119	403 215 2211	CERAMIC 0.01U K 50V
C102	403 391 5518	ELECT 10U M 16V	C2121	403 283 6319	CERAMIC 1U Z 10V
C103	403 164 0214	CERAMIC 0.1U Z 25V	C2122	403 164 0214	CERAMIC 0.1U Z 25V
C104	403 398 3814	ELECT 220U M 16V	C2123	403 398 2114	ELECT 330U M 6.3V
C1101	403 145 9915	CERAMIC 22P J 50V	C2124	403 215 2211	CERAMIC 0.01U K 50V
C1102	403 145 9915	CERAMIC 22P J 50V	C2125	403 215 2211	CERAMIC 0.01U K 50V
C1103	403 164 0214	CERAMIC 0.1U Z 25V	C2126	403 215 2914	CERAMIC 0.022U K 25V
C1104	403 164 0214	CERAMIC 0.1U Z 25V	C2127	403 164 0214	CERAMIC 0.1U Z 25V
C1105	403 215 0910	CERAMIC 390P J 50V	C2128	403 283 6319	CERAMIC 1U Z 10V
C1106	403 164 0214	CERAMIC 0.1U Z 25V	C2129	403 283 6319	CERAMIC 1U Z 10V
C1107	403 164 0214	CERAMIC 0.1U Z 25V	C2131	403 215 2211	CERAMIC 0.01U K 50V
C1108	403 164 0214	CERAMIC 0.1U Z 25V	C2133	401 219 1117	MT-GLAZE 1.8K FA 1/16W
C1109	403 283 6319	CERAMIC 1U Z 10V	C2134	403 215 2211	CERAMIC 0.01U K 50V
C1110	403 283 6319	CERAMIC 1U Z 10V	C2135	403 215 2211	CERAMIC 0.01U K 50V
C1112	403 283 6319	CERAMIC 1U Z 10V	C2136	403 215 2211	CERAMIC 0.01U K 50V
C1113	403 164 0214	CERAMIC 0.1U Z 25V	C2137	403 398 2114	ELECT 330U M 6.3V
C1114	403 164 0214	CERAMIC 0.1U Z 25V	C2138	403 398 2114	ELECT 330U M 6.3V
C1115	403 164 0214	CERAMIC 0.1U Z 25V	C2141	403 164 0214	CERAMIC 0.1U Z 25V
C1116	403 164 0214	CERAMIC 0.1U Z 25V	C2143	403 283 6319	CERAMIC 1U Z 10V
C1117	403 397 9015	NP-ELECT 1.0U M 50V	C2144	403 391 5310	ELECT 47U M 6.3V
C1119	403 391 5518	ELECT 10U M 16V	C2145	403 164 0214	CERAMIC 0.1U Z 25V
C1121	403 164 0214	CERAMIC 0.1U Z 25V	C2146	403 164 0214	CERAMIC 0.1U Z 25V
C1122	403 164 0214	CERAMIC 0.1U Z 25V	C2147	403 164 0214	CERAMIC 0.1U Z 25V
C1123	403 164 0214	CERAMIC 0.1U Z 25V	C2148	403 164 0214	CERAMIC 0.1U Z 25V
C1124	403 164 0214	CERAMIC 0.1U Z 25V	C2149	403 164 0214	CERAMIC 0.1U Z 25V
C1125	403 164 0214	CERAMIC 0.1U Z 25V	C2150	403 164 0214	CERAMIC 0.1U Z 25V
C1126	403 164 0214	CERAMIC 0.1U Z 25V	C2151	403 164 0214	CERAMIC 0.1U Z 25V
C1127	403 391 5310	ELECT 47U M 6.3V	C2152	403 164 0214	CERAMIC 0.1U Z 25V
C1128	403 164 0214	CERAMIC 0.1U Z 25V	C2153	403 164 0214	CERAMIC 0.1U Z 25V
C1129	403 391 5310	ELECT 47U M 6.3V	C2154	403 164 0214	CERAMIC 0.1U Z 25V
C1132	403 398 2114	ELECT 330U M 6.3V	C2155	403 164 0214	CERAMIC 0.1U Z 25V
C1133	403 164 0214	CERAMIC 0.1U Z 25V	C2156	403 164 0214	CERAMIC 0.1U Z 25V
C1134	403 283 6319	CERAMIC 1U Z 10V	C2157	403 164 0214	CERAMIC 0.1U Z 25V
C1135	403 398 2114	ELECT 330U M 6.3V	C2158	403 164 0214	CERAMIC 0.1U Z 25V
C1136	403 283 6319	CERAMIC 1U Z 10V	C2159	403 164 0214	CERAMIC 0.1U Z 25V
C1137	403 283 6319	CERAMIC 1U Z 10V	C2160	403 164 0214	CERAMIC 0.1U Z 25V
C1141	403 391 5310	ELECT 47U M 6.3V	C2167	403 283 6319	CERAMIC 1U Z 10V
C1146	403 164 0214	CERAMIC 0.1U Z 25V	C2168	403 164 0214	CERAMIC 0.1U Z 25V
C1147	403 283 6319	CERAMIC 1U Z 10V	C2170	403 164 0214	CERAMIC 0.1U Z 25V
C1148	403 164 0214	CERAMIC 0.1U Z 25V	C2171	403 164 0214	CERAMIC 0.1U Z 25V
C1151	403 283 6319	CERAMIC 1U Z 10V	C2172	403 164 0214	CERAMIC 0.1U Z 25V
C1152	403 283 6319	CERAMIC 1U Z 10V	C2173	403 164 0214	CERAMIC 0.1U Z 25V
C1161	403 283 6319	CERAMIC 1U Z 10V	C2174	403 164 0214	CERAMIC 0.1U Z 25V
C1162	403 145 9915	CERAMIC 22P J 50V	C2182	403 398 3715	ELECT 22U M 16V
C1187	403 283 6319	CERAMIC 1U Z 10V	C2184	403 398 3715	ELECT 22U M 16V
C1188	403 164 0214	CERAMIC 0.1U Z 25V	C2186	403 164 0214	CERAMIC 0.1U Z 25V
C123	403 164 0214	CERAMIC 0.1U Z 25V	C2188	403 164 0214	CERAMIC 0.1U Z 25V
C146	403 283 6319	CERAMIC 1U Z 10V	C2191	401 105 0613	MT-GLAZE 10K JA 1/16W
C147	403 164 0214	CERAMIC 0.1U Z 25V	C2192	403 145 9915	CERAMIC 22P J 50V
C161	403 397 9015	NP-ELECT 1.0U M 50V	C2193	403 145 9915	CERAMIC 22P J 50V
C162	403 323 8815	CERAMIC 2.2U Z 16V	C3016	403 398 3814	ELECT 220U M 16V
	403 255 7917	CERAMIC 2.2U Z 16V	C3018	403 164 0214	CERAMIC 0.1U Z 25V
C163	403 164 0214	CERAMIC 0.1U Z 25V	C3105	403 164 0214	CERAMIC 0.1U Z 25V
C164	403 283 6319	CERAMIC 1U Z 10V	C3106	403 215 2211	CERAMIC 0.01U K 50V
C165	403 113 3815	CERAMIC 1000P K 50V	C3121	403 391 5518	ELECT 10U M 16V
C166	403 398 6112	ELECT 1U M 50V	C3122	403 164 0214	CERAMIC 0.1U Z 25V
C167	403 164 0214	CERAMIC 0.1U Z 25V	C3123	403 298 9619	CERAMIC 0.1U K 16V
C168	403 283 6319	CERAMIC 1U Z 10V	C3124	403 298 9619	CERAMIC 0.1U K 16V
C180	403 155 4214	CERAMIC 15P J 50V	C3125	403 298 9619	CERAMIC 0.1U K 16V
C181	403 155 4214	CERAMIC 15P J 50V	C3131	403 215 2211	CERAMIC 0.01U K 50V
C182	403 155 4214	CERAMIC 15P J 50V	C3132	403 283 6319	CERAMIC 1U Z 10V
C183	403 155 4214	CERAMIC 15P J 50V	C3134	403 398 3715	ELECT 22U M 16V
C2101	403 397 8513	NP-ELECT 10U M 10V	C3135	403 164 0214	CERAMIC 0.1U Z 25V
C2102	403 164 0214	CERAMIC 0.1U Z 25V	C3136	403 164 0214	CERAMIC 0.1U Z 25V
C2103	403 283 6319	CERAMIC 1U Z 10V	C3137	403 164 0214	CERAMIC 0.1U Z 25V
C2104	403 164 0214	CERAMIC 0.1U Z 25V	C3140	403 283 6319	CERAMIC 1U Z 10V
C2105	403 164 0214	CERAMIC 0.1U Z 25V	C3141	403 215 2211	CERAMIC 0.01U K 50V
C2106	403 164 0214	CERAMIC 0.1U Z 25V	C3142	403 283 6319	CERAMIC 1U Z 10V
C2107	403 283 6319	CERAMIC 1U Z 10V	C3143	403 164 0214	CERAMIC 0.1U Z 25V
C2108	403 164 0214	CERAMIC 0.1U Z 25V	C3144	403 398 6518	ELECT 2.2U M 50V
C2109	403 164 0214	CERAMIC 0.1U Z 25V	C3146	403 164 0214	CERAMIC 0.1U Z 25V
C2111	403 164 0214	CERAMIC 0.1U Z 25V	C3147	403 397 9015	NP-ELECT 1.0U M 50V
C2112	403 164 0214	CERAMIC 0.1U Z 25V	C3148	403 397 9015	NP-ELECT 1.0U M 50V
C2113	403 215 2211	CERAMIC 0.01U K 50V	C3149	403 397 9015	NP-ELECT 1.0U M 50V
C2114	403 283 6319	CERAMIC 1U Z 10V	C3150	403 397 7417	ELECT 330U M 16V

Electrical Parts List

Key No.	Part No.	Description	Key No.	Part No.	Description
C3151	403 348 5823	CERAMIC 0.47U K 10V	C5124	403 164 0214	CERAMIC 0.1U Z 25V
C3152	403 348 5823	CERAMIC 0.47U K 10V	C5125	403 164 0214	CERAMIC 0.1U Z 25V
C3153	403 157 2119	CERAMIC 13P J 50V	C5126	403 164 0214	CERAMIC 0.1U Z 25V
C3154	403 157 2119	CERAMIC 13P J 50V	C5128	403 155 4214	CERAMIC 15P J 50V
C3155	403 157 2119	CERAMIC 13P J 50V	C5129	403 155 1619	CERAMIC 33P J 50V
C3157	403 157 2119	CERAMIC 13P J 50V	C5130	403 157 1716	CERAMIC 8P D 50V
C3159	403 155 1510	CERAMIC 180P J 50V	C5132	403 398 6112	ELECT 1U M 50V
C3160	403 215 2211	CERAMIC 0.01U K 50V	C5133	403 139 7316	CERAMIC 18P J 50V
C3163	403 391 5716	ELECT 4.7U M 25V	C5134	403 215 2211	CERAMIC 0.01U K 50V
C3164	403 343 8819	CERAMIC 0.47U Z 16V	C5135	403 139 7316	CERAMIC 18P J 50V
C3166	403 397 9015	NP-ELECT 1.0U M 50V	C5136	403 157 1518	CERAMIC 3P C 50V
C3167	403 215 2112	CERAMIC 8200P K 50V	C5137	403 157 1716	CERAMIC 8P D 50V
C3168	403 398 6013	ELECT 0.47U M 50V	C5138	403 164 0214	CERAMIC 0.1U Z 25V
C3169	403 153 9112	CERAMIC 5P C 50V	C5139	403 153 9112	CERAMIC 5P C 50V
C3172	403 157 3611	CERAMIC 100P J 50V	C5141	403 145 9915	CERAMIC 22P J 50V
C3175	403 164 0214	CERAMIC 0.1U Z 25V	C5142	403 157 1716	CERAMIC 8P D 50V
C3176	403 398 3715	ELECT 22U M 16V	C5143	403 164 0214	CERAMIC 0.1U Z 25V
C3177	403 398 6013	ELECT 0.47U M 50V	C5144	403 283 6319	CERAMIC 1U Z 10V
C4119	403 164 0214	CERAMIC 0.1U Z 25V	C5145	403 164 0214	CERAMIC 0.1U Z 25V
C4126	403 215 2211	CERAMIC 0.01U K 50V	C5146	403 164 0214	CERAMIC 0.1U Z 25V
C4129	403 164 0214	CERAMIC 0.1U Z 25V	C5147	403 164 0214	CERAMIC 0.1U Z 25V
C4132	403 164 0214	CERAMIC 0.1U Z 25V	C5148	403 164 0214	CERAMIC 0.1U Z 25V
C4133	403 164 0214	CERAMIC 0.1U Z 25V	C5149	403 398 2114	ELECT 330U M 6.3V
C4134	403 164 0214	CERAMIC 0.1U Z 25V	C5151	403 283 6319	CERAMIC 1U Z 10V
C4135	403 391 5518	ELECT 10U M 16V	C5152	403 164 0214	CERAMIC 0.1U Z 25V
C4137	403 348 5823	CERAMIC 0.47U K 10V	C5181	403 398 3814	ELECT 220U M 16V
C4138	403 391 5518	ELECT 10U M 16V	C5182	403 164 0214	CERAMIC 0.1U Z 25V
C4139	403 298 9619	CERAMIC 0.1U K 16V	C5183	403 153 9112	CERAMIC 5P C 50V
C4140	403 215 2211	CERAMIC 0.01U K 50V	C5184	403 153 9112	CERAMIC 5P C 50V
C4141	403 215 2211	CERAMIC 0.01U K 50V	C5185	403 153 9112	CERAMIC 5P C 50V
C4142	403 215 2211	CERAMIC 0.01U K 50V	C5186	403 155 1619	CERAMIC 33P J 50V
C4143	403 215 2211	CERAMIC 0.01U K 50V	C5187	403 155 1619	CERAMIC 33P J 50V
C4144	403 215 2211	CERAMIC 0.01U K 50V	C5188	403 155 1619	CERAMIC 33P J 50V
C4145	403 215 2211	CERAMIC 0.01U K 50V	RESISTOR		
C4146	403 215 2211	CERAMIC 0.01U K 50V	R100	401 105 3010	MT-GLAZE 220K JA 1/16W
C4147	403 215 2211	CERAMIC 0.01U K 50V	R101	401 105 5519	MT-GLAZE 470K JA 1/16W
C4148	403 215 2211	CERAMIC 0.01U K 50V	R102	401 105 5519	MT-GLAZE 470K JA 1/16W
C4157	403 391 5518	ELECT 10U M 16V	R103	401 105 0415	MT-GLAZE 100 JA 1/16W
C4158	403 348 5823	CERAMIC 0.47U K 10V	R104	401 105 3010	MT-GLAZE 220K JA 1/16W
C4160	403 343 8819	CERAMIC 0.47U Z 16V	R105	401 105 7919	MT-GLAZE 0.000 ZA 1/16W
C4164	403 164 0214	CERAMIC 0.1U Z 25V	R106	401 105 2815	MT-GLAZE 2.2K JA 1/16W
C4165	403 164 0214	CERAMIC 0.1U Z 25V	R107	401 105 0415	MT-GLAZE 100 JA 1/16W
C4166	403 164 0214	CERAMIC 0.1U Z 25V	R108	401 105 3010	MT-GLAZE 220K JA 1/16W
C4169	403 215 2211	CERAMIC 0.01U K 50V	R109	401 105 7919	MT-GLAZE 0.000 ZA 1/16W
C4171	403 215 2211	CERAMIC 0.01U K 50V	R110	401 105 3010	MT-GLAZE 220K JA 1/16W
C4172	403 215 2211	CERAMIC 0.01U K 50V	R1101	401 105 5212	MT-GLAZE 470 JA 1/16W
C4181	403 164 0214	CERAMIC 0.1U Z 25V	R1102	401 105 7919	MT-GLAZE 0.000 ZA 1/16W
C4182	403 283 6319	CERAMIC 1U Z 10V	R1103	401 105 7919	MT-GLAZE 0.000 ZA 1/16W
C4183	403 283 6319	CERAMIC 1U Z 10V	R1104	401 105 7919	MT-GLAZE 0.000 ZA 1/16W
C4184	403 283 6319	CERAMIC 1U Z 10V	R1105	401 105 7919	MT-GLAZE 0.000 ZA 1/16W
C4185	403 224 7016	CERAMIC 0.047U Z 50V	R1106	401 105 5212	MT-GLAZE 470 JA 1/16W
C4186	403 224 7016	CERAMIC 0.047U Z 50V	R1107	401 105 5212	MT-GLAZE 470 JA 1/16W
C4187	403 283 6319	CERAMIC 1U Z 10V	R1108	401 105 7919	MT-GLAZE 0.000 ZA 1/16W
C4188	403 164 0214	CERAMIC 0.1U Z 25V	R1109	401 105 5311	MT-GLAZE 4.7K JA 1/16W
C5100	403 164 0214	CERAMIC 0.1U Z 25V	R111	401 105 2815	MT-GLAZE 2.2K JA 1/16W
C5101	403 164 0214	CERAMIC 0.1U Z 25V	R1111	401 105 0415	MT-GLAZE 100 JA 1/16W
C5102	403 164 0214	CERAMIC 0.1U Z 25V	R1112	401 105 0415	MT-GLAZE 100 JA 1/16W
C5103	403 215 1016	CERAMIC 470P J 50V	R1113	401 105 0415	MT-GLAZE 100 JA 1/16W
C5104	403 298 9619	CERAMIC 0.1U K 16V	R1128	401 105 0415	MT-GLAZE 100 JA 1/16W
C5105	403 155 1312	CERAMIC 150P J 50V	R1129	401 105 0415	MT-GLAZE 100 JA 1/16W
C5106	403 155 4610	CERAMIC 4P C 50V	R1131	401 105 0415	MT-GLAZE 100 JA 1/16W
C5107	403 164 0214	CERAMIC 0.1U Z 25V	R1132	401 105 7919	MT-GLAZE 0.000 ZA 1/16W
C5108	403 164 0214	CERAMIC 0.1U Z 25V	R1133	401 105 7919	MT-GLAZE 0.000 ZA 1/16W
C5109	403 164 0214	CERAMIC 0.1U Z 25V	R1141	401 105 1115	MT-GLAZE 12K JA 1/16W
C5110	403 391 5518	ELECT 10U M 16V	R1142	401 105 8114	MT-GLAZE 56K JA 1/16W
C5111	403 398 2114	ELECT 330U M 6.3V	R1149	401 105 0415	MT-GLAZE 100 JA 1/16W
C5112	403 164 0214	CERAMIC 0.1U Z 25V	R1151	401 105 0415	MT-GLAZE 100 JA 1/16W
C5113	403 215 2211	CERAMIC 0.01U K 50V	R1152	401 105 0415	MT-GLAZE 100 JA 1/16W
C5114	403 155 1510	CERAMIC 180P J 50V	R1155	401 105 7513	MT-GLAZE 82K JA 1/16W
C5115	403 215 2211	CERAMIC 0.01U K 50V	R1156	401 105 2112	MT-GLAZE 18K JA 1/16W
C5116	403 164 0214	CERAMIC 0.1U Z 25V	R1157	401 105 0514	MT-GLAZE 1K JA 1/16W
C5117	403 164 0214	CERAMIC 0.1U Z 25V	R1158	401 105 5311	MT-GLAZE 4.7K JA 1/16W
C5118	403 164 0214	CERAMIC 0.1U Z 25V	R1159	401 105 7315	MT-GLAZE 820 JA 1/16W
C5119	403 164 0214	CERAMIC 0.1U Z 25V	R1161	401 105 6011	MT-GLAZE 5.6K JA 1/16W
C5120	403 153 9112	CERAMIC 5P C 50V	R1162	401 105 0514	MT-GLAZE 1K JA 1/16W
C5121	403 164 0214	CERAMIC 0.1U Z 25V	R1163	401 105 2716	MT-GLAZE 220 JA 1/16W
C5122	403 164 0214	CERAMIC 0.1U Z 25V	R1165	401 105 4512	MT-GLAZE 390 JA 1/16W
C5123	403 164 0214	CERAMIC 0.1U Z 25V	R1166	401 105 5113	MT-GLAZE 47 JA 1/16W

Electrical Parts List

KF6-XT4U00
LF6-XT4E00

Key No.	Part No.	Description	Key No.	Part No.	Description
R1167	401 105 0514	MT-GLAZE 1K JA 1/16W	R2118	401 105 5915	MT-GLAZE 560 JA 1/16W
R1168	401 105 0514	MT-GLAZE 1K JA 1/16W	R2119	401 105 0514	MT-GLAZE 1K JA 1/16W
R1169	401 105 5311	MT-GLAZE 4.7K JA 1/16W	R2120	401 105 1511	MT-GLAZE 1.5K JA 1/16W
R1171	401 105 7315	MT-GLAZE 820 JA 1/16W	R2121	401 105 0613	MT-GLAZE 10K JA 1/16W
R1172	401 105 6011	MT-GLAZE 5.6K JA 1/16W	R2122	401 105 0910	MT-GLAZE 120 JA 1/16W
R1173	401 105 0514	MT-GLAZE 1K JA 1/16W	R2123	401 226 1216	MT-GLAZE 150 FA 1/16W
R1174	401 105 2716	MT-GLAZE 220 JA 1/16W	R2124	401 105 7919	MT-GLAZE 0.000 ZA 1/16W
R1175	401 105 2716	MT-GLAZE 220 JA 1/16W	R2125	401 105 7919	MT-GLAZE 0.000 ZA 1/16W
R1176	401 105 5915	MT-GLAZE 560 JA 1/16W	R2126	401 105 0415	MT-GLAZE 100 JA 1/16W
R1177	401 105 5113	MT-GLAZE 47 JA 1/16W	R2127	401 105 0415	MT-GLAZE 100 JA 1/16W
R1178	401 105 0514	MT-GLAZE 1K JA 1/16W	R2128	401 105 0415	MT-GLAZE 100 JA 1/16W
R1183	401 105 2716	MT-GLAZE 220 JA 1/16W	R2129	401 105 7919	MT-GLAZE 0.000 ZA 1/16W
R1184	401 105 4116	MT-GLAZE 3.3K JA 1/16W	R2130	401 105 4611	MT-GLAZE 3.9K JA 1/16W
R1187	401 105 0415	MT-GLAZE 100 JA 1/16W	R2131	401 105 7919	MT-GLAZE 0.000 ZA 1/16W
R1188	401 105 0415	MT-GLAZE 100 JA 1/16W	R2132	401 105 7919	MT-GLAZE 0.000 ZA 1/16W
R1189	401 105 0415	MT-GLAZE 100 JA 1/16W	R2140	401 038 2012	MT-GLAZE 270 JA 1/10W
R121	401 226 1216	MT-GLAZE 150 FA 1/16W	R2141	401 105 0415	MT-GLAZE 100 JA 1/16W
R122	401 226 1216	MT-GLAZE 150 FA 1/16W	R2142	401 105 0415	MT-GLAZE 100 JA 1/16W
R123	401 226 1216	MT-GLAZE 150 FA 1/16W	R2144	401 105 7919	MT-GLAZE 0.000 ZA 1/16W
R124	401 226 1216	MT-GLAZE 150 FA 1/16W	R2145	401 105 0415	MT-GLAZE 100 JA 1/16W
R125	401 105 0415	MT-GLAZE 100 JA 1/16W	R2146	401 105 0415	MT-GLAZE 100 JA 1/16W
R126	401 105 4116	MT-GLAZE 3.3K JA 1/16W	R2147	401 105 0415	MT-GLAZE 100 JA 1/16W
R131	401 226 1216	MT-GLAZE 150 FA 1/16W	R2148	401 105 0415	MT-GLAZE 100 JA 1/16W
R132	401 226 1216	MT-GLAZE 150 FA 1/16W	R2149	401 105 0613	MT-GLAZE 10K JA 1/16W
R133	401 226 1216	MT-GLAZE 150 FA 1/16W	R2150	401 038 2012	MT-GLAZE 270 JA 1/10W
R134	401 226 1216	MT-GLAZE 150 FA 1/16W	R2151	401 037 5014	MT-GLAZE 0.000 ZA 1/10W
R147	401 105 0415	MT-GLAZE 100 JA 1/16W	R2153	401 105 0613	MT-GLAZE 10K JA 1/16W
R148	401 105 0415	MT-GLAZE 100 JA 1/16W	R2155	401 105 0415	MT-GLAZE 100 JA 1/16W
R149	401 105 0415	MT-GLAZE 100 JA 1/16W	R2156	401 105 0415	MT-GLAZE 100 JA 1/16W
R161	401 105 4819	MT-GLAZE 390K JA 1/16W	R2157	401 105 0514	MT-GLAZE 1K JA 1/16W
R162	401 105 4116	MT-GLAZE 3.3K JA 1/16W	R2160	401 105 2815	MT-GLAZE 2.2K JA 1/16W
R163	401 105 6011	MT-GLAZE 5.6K JA 1/16W	R2161	401 105 7414	MT-GLAZE 8.2K JA 1/16W
R164	401 105 0415	MT-GLAZE 100 JA 1/16W	R2162	401 105 0613	MT-GLAZE 10K JA 1/16W
R165	401 105 2815	MT-GLAZE 2.2K JA 1/16W	R2163	401 105 2716	MT-GLAZE 220 JA 1/16W
R166	401 105 0415	MT-GLAZE 100 JA 1/16W	R2164	401 105 4116	MT-GLAZE 3.3K JA 1/16W
R167	401 105 2815	MT-GLAZE 2.2K JA 1/16W	R2165	401 105 7919	MT-GLAZE 0.000 ZA 1/16W
R168	401 105 7315	MT-GLAZE 820 JA 1/16W	R2167	401 105 0415	MT-GLAZE 100 JA 1/16W
R169	401 105 4116	MT-GLAZE 3.3K JA 1/16W	R2168	401 105 0415	MT-GLAZE 100 JA 1/16W
R171	401 105 1511	MT-GLAZE 1.5K JA 1/16W	R2169	401 105 0415	MT-GLAZE 100 JA 1/16W
R172	401 105 2716	MT-GLAZE 220 JA 1/16W	R2170	401 105 4017	MT-GLAZE 330 JA 1/16W
R173	401 105 3010	MT-GLAZE 220K JA 1/16W	R2171	401 105 0712	MT-GLAZE 100K JA 1/16W
R174	401 105 2815	MT-GLAZE 2.2K JA 1/16W	R2191	401 105 0514	MT-GLAZE 1K JA 1/16W
R175	401 105 5212	MT-GLAZE 470 JA 1/16W	R2192	401 105 0514	MT-GLAZE 1K JA 1/16W
R176	401 105 5410	MT-GLAZE 47K JA 1/16W	R2193	401 105 2815	MT-GLAZE 2.2K JA 1/16W
R177	401 105 0514	MT-GLAZE 1K JA 1/16W	R3105	401 105 0514	MT-GLAZE 1K JA 1/16W
R178	401 105 5311	MT-GLAZE 4.7K JA 1/16W	R3106	401 105 1016	MT-GLAZE 1.2K JA 1/16W
R179	401 105 2815	MT-GLAZE 2.2K JA 1/16W	R3107	401 105 5212	MT-GLAZE 470 JA 1/16W
R180	401 218 4515	MT-GLAZE 2.2K FA 1/16W	R3108	401 105 2914	MT-GLAZE 22K JA 1/16W
R182	401 219 1117	MT-GLAZE 1.8K FA 1/16W	R3109	401 105 7414	MT-GLAZE 8.2K JA 1/16W
R183	401 105 2914	MT-GLAZE 22K JA 1/16W	R3110	401 105 0415	MT-GLAZE 100 JA 1/16W
R184	401 105 7414	MT-GLAZE 8.2K JA 1/16W	R3120	401 105 0514	MT-GLAZE 1K JA 1/16W
R185	401 218 4515	MT-GLAZE 2.2K FA 1/16W	R3121	401 037 9111	MT-GLAZE 180 JA 1/10W
R187	401 219 1117	MT-GLAZE 1.8K FA 1/16W	R3122	401 037 9111	MT-GLAZE 180 JA 1/10W
R188	401 105 2914	MT-GLAZE 22K JA 1/16W	R3130	401 105 6516	MT-GLAZE 680 JA 1/16W
R189	401 105 7414	MT-GLAZE 8.2K JA 1/16W	R3131	401 105 0514	MT-GLAZE 1K JA 1/16W
R190	401 105 2815	MT-GLAZE 2.2K JA 1/16W	R3132	401 105 0316	MT-GLAZE 10 JA 1/16W
R192	401 105 1511	MT-GLAZE 1.5K JA 1/16W	R3140	401 105 0514	MT-GLAZE 1K JA 1/16W
R193	401 105 4710	MT-GLAZE 39K JA 1/16W	R3142	401 105 4017	MT-GLAZE 330 JA 1/16W
R194	401 105 7414	MT-GLAZE 8.2K JA 1/16W	R3143	401 105 0613	MT-GLAZE 10K JA 1/16W
R195	401 105 2815	MT-GLAZE 2.2K JA 1/16W	R3144	401 105 4116	MT-GLAZE 3.3K JA 1/16W
R197	401 105 1511	MT-GLAZE 1.5K JA 1/16W	R3145	401 105 0514	MT-GLAZE 1K JA 1/16W
R198	401 105 4710	MT-GLAZE 39K JA 1/16W	R3147	401 105 0514	MT-GLAZE 1K JA 1/16W
R199	401 105 7414	MT-GLAZE 8.2K JA 1/16W	R3148	401 105 4116	MT-GLAZE 3.3K JA 1/16W
R2101	401 105 7919	MT-GLAZE 0.000 ZA 1/16W	R3151	401 105 1511	MT-GLAZE 1.5K JA 1/16W
R2102	401 105 7919	MT-GLAZE 0.000 ZA 1/16W	R3152	401 105 0514	MT-GLAZE 1K JA 1/16W
R2103	401 105 1412	MT-GLAZE 150 JA 1/16W	R3153	401 105 5212	MT-GLAZE 470 JA 1/16W
R2104	401 235 4116	MT-GLAZE 120 FA 1/16W	R3154	401 105 8114	MT-GLAZE 56K JA 1/16W
R2105	401 105 4116	MT-GLAZE 3.3K JA 1/16W	R3155	401 105 8114	MT-GLAZE 56K JA 1/16W
R2106	401 105 2815	MT-GLAZE 2.2K JA 1/16W	R3156	401 105 8114	MT-GLAZE 56K JA 1/16W
R2107	401 105 4116	MT-GLAZE 3.3K JA 1/16W	R3157	401 105 8114	MT-GLAZE 56K JA 1/16W
R2108	401 105 7919	MT-GLAZE 0.000 ZA 1/16W	R3158	401 105 8114	MT-GLAZE 56K JA 1/16W
R2110	401 105 7919	MT-GLAZE 0.000 ZA 1/16W	R3159	401 105 0514	MT-GLAZE 1K JA 1/16W
R2111	401 105 7919	MT-GLAZE 0.000 ZA 1/16W	R3160	401 105 1214	MT-GLAZE 120K JA 1/16W
R2112	401 105 7919	MT-GLAZE 0.000 ZA 1/16W	R3162	401 105 2716	MT-GLAZE 220 JA 1/16W
R2113	401 105 0415	MT-GLAZE 100 JA 1/16W	R3163	401 105 2716	MT-GLAZE 220 JA 1/16W
R2114	401 105 0415	MT-GLAZE 100 JA 1/16W	R3165	401 105 0415	MT-GLAZE 100 JA 1/16W
R2116	401 105 5311	MT-GLAZE 4.7K JA 1/16W	R3166	401 105 0415	MT-GLAZE 100 JA 1/16W
R2117	401 105 8114	MT-GLAZE 56K JA 1/16W	R3167	401 105 3317	MT-GLAZE 2.7K JA 1/16W

Electrical Parts List

Key No.	Part No.	Description	Key No.	Part No.	Description
R3168	401 105 4314	MT-GLAZE 330K JA 1/16W	R5125	401 105 0514	MT-GLAZE 1K JA 1/16W
R3169	401 105 0514	MT-GLAZE 1K JA 1/16W	R5126	401 105 0613	MT-GLAZE 10K JA 1/16W
R3170	401 105 3010	MT-GLAZE 220K JA 1/16W	R5127	401 105 6516	MT-GLAZE 680 JA 1/16W
R3171	401 105 2815	MT-GLAZE 2.2K JA 1/16W	R5128	401 105 0514	MT-GLAZE 1K JA 1/16W
R3173	401 105 4116	MT-GLAZE 3.3K JA 1/16W	R5129	401 105 0613	MT-GLAZE 10K JA 1/16W
R3174	401 113 9516	MT-GLAZE 620K JA 1/16W	R5130	401 105 2914	MT-GLAZE 22K JA 1/16W
R3175	401 218 4515	MT-GLAZE 2.2K FA 1/16W	R5131	401 105 0514	MT-GLAZE 1K JA 1/16W
R3176	401 219 1612	MT-GLAZE 100K FA 1/16W	R5132	401 105 0613	MT-GLAZE 10K JA 1/16W
R3177	401 105 5311	MT-GLAZE 4.7K JA 1/16W	R5133	401 105 0415	MT-GLAZE 100 JA 1/16W
R3178	401 105 6011	MT-GLAZE 5.6K JA 1/16W	R5134	401 105 0415	MT-GLAZE 100 JA 1/16W
R3179	401 286 3410	MT-GLAZE 10 FA 1/16W	R5135	401 105 0415	MT-GLAZE 100 JA 1/16W
R3180	401 105 0613	MT-GLAZE 10K JA 1/16W	R5136	401 105 0415	MT-GLAZE 100 JA 1/16W
R3181	401 105 0514	MT-GLAZE 1K JA 1/16W	R5137	401 105 7919	MT-GLAZE 0.000 ZA 1/16W
R3182	401 105 0514	MT-GLAZE 1K JA 1/16W	R5138	401 105 7919	MT-GLAZE 0.000 ZA 1/16W
R3183	401 105 5212	MT-GLAZE 470 JA 1/16W	R5139	401 105 7919	MT-GLAZE 0.000 ZA 1/16W
R3184	401 105 0514	MT-GLAZE 1K JA 1/16W	R5140	401 105 7919	MT-GLAZE 0.000 ZA 1/16W
R3185	401 105 0514	MT-GLAZE 1K JA 1/16W	R5141	401 105 7919	MT-GLAZE 0.000 ZA 1/16W
R3186	401 105 5212	MT-GLAZE 470 JA 1/16W	R5142	401 105 0514	MT-GLAZE 1K JA 1/16W
R3187	401 105 0514	MT-GLAZE 1K JA 1/16W	R5143	401 105 5212	MT-GLAZE 470 JA 1/16W
R3188	401 105 0514	MT-GLAZE 1K JA 1/16W	R5150	401 105 4710	MT-GLAZE 39K JA 1/16W
R3189	401 105 4017	MT-GLAZE 330 JA 1/16W	R5160	401 105 0514	MT-GLAZE 1K JA 1/16W
R3190	401 105 4017	MT-GLAZE 330 JA 1/16W	R5170	401 105 0514	MT-GLAZE 1K JA 1/16W
R3191	401 105 0415	MT-GLAZE 100 JA 1/16W	R5180	401 203 9914	MT-GLAZE 4.7K FA 1/16W
R3193	401 105 0712	MT-GLAZE 100K JA 1/16W	R5181	401 105 5915	MT-GLAZE 560 JA 1/16W
R4101	401 217 5414	MT-GLAZE 47K FA 1/16W	R5182	401 105 5915	MT-GLAZE 560 JA 1/16W
R4102	401 105 0514	MT-GLAZE 1K JA 1/16W	R5183	401 105 5915	MT-GLAZE 560 JA 1/16W
R4103	401 105 0514	MT-GLAZE 1K JA 1/16W	R5184	401 113 4412	MT-GLAZE 75 JA 1/16W
R4104	401 105 0415	MT-GLAZE 100 JA 1/16W	R5185	401 105 0514	MT-GLAZE 1K JA 1/16W
R4105	401 105 0415	MT-GLAZE 100 JA 1/16W	R5187	401 113 4412	MT-GLAZE 75 JA 1/16W
R4106	401 105 0415	MT-GLAZE 100 JA 1/16W	R5188	401 105 0514	MT-GLAZE 1K JA 1/16W
R4108	401 105 0613	MT-GLAZE 10K JA 1/16W	R5191	401 113 4412	MT-GLAZE 75 JA 1/16W
R4109	401 105 0613	MT-GLAZE 10K JA 1/16W	R5192	401 105 0514	MT-GLAZE 1K JA 1/16W
R4110	401 105 0613	MT-GLAZE 10K JA 1/16W	COIL		
R4111	401 105 0613	MT-GLAZE 10K JA 1/16W	L101	645 014 2659	FILTER,EMI 10MHZ
R4112	401 114 0512	MT-GLAZE 2.2M JA 1/16W	L102	645 014 2659	FILTER,EMI 10MHZ
R4113	401 105 0613	MT-GLAZE 10K JA 1/16W	L1101	645 084 2696	INDUCTOR,4.7U J
R4116	401 105 0415	MT-GLAZE 100 JA 1/16W	L1104	645 062 2823	INDUCTOR,3.3U M
R4117	401 105 0415	MT-GLAZE 100 JA 1/16W	L1131	645 062 2823	INDUCTOR,3.3U M
R4118	401 105 0415	MT-GLAZE 100 JA 1/16W	L1151	645 044 3626	FILTER,LP 7MHZ
R4119	401 105 0910	MT-GLAZE 120 JA 1/16W	L1161	645 044 3626	FILTER,LP 7MHZ
R4122	401 105 0415	MT-GLAZE 100 JA 1/16W	L1162	645 043 5881	INDUCTOR,10U J
R4124	401 105 0415	MT-GLAZE 100 JA 1/16W	L121	401 037 5014	MT-GLAZE 0.000 ZA 1/10W
R4125	401 105 0415	MT-GLAZE 100 JA 1/16W	L122	401 037 5014	MT-GLAZE 0.000 ZA 1/10W
R4126	401 217 4110	MT-GLAZE 22K FA 1/16W	L123	645 002 3910	FILTER,EMI 100MHZ
R4127	401 105 1511	MT-GLAZE 1.5K JA 1/16W	L124	645 002 3910	FILTER,EMI 100MHZ
R4128	401 105 6011	MT-GLAZE 5.6K JA 1/16W	L125	645 014 2659	FILTER,EMI 10MHZ
R4182	401 105 2815	MT-GLAZE 2.2K JA 1/16W	L131	401 037 5014	MT-GLAZE 0.000 ZA 1/10W
R4183	401 105 0514	MT-GLAZE 1K JA 1/16W	L132	645 002 3910	FILTER,EMI 100MHZ
R4184	401 105 6011	MT-GLAZE 5.6K JA 1/16W	L133	401 037 5014	MT-GLAZE 0.000 ZA 1/10W
R4186	401 158 4118	MT-GLAZE 4.7 JA 1/16W	L134	645 002 3910	FILTER,EMI 100MHZ
R4187	401 105 1917	MT-GLAZE 180 JA 1/16W	L161	645 044 3626	FILTER,LP 7MHZ
R4188	401 112 8015	MT-GLAZE 5.6 JA 1/16W	L2101	645 062 2823	INDUCTOR,3.3U M
R4190	401 105 2914	MT-GLAZE 22K JA 1/16W	L2102	645 062 2823	INDUCTOR,3.3U M
R4191	401 105 2815	MT-GLAZE 2.2K JA 1/16W	L2191	645 072 1335	INDUCTOR,12U J
R4196	401 105 0514	MT-GLAZE 1K JA 1/16W	L5101	645 062 2823	INDUCTOR,3.3U M
R4197	401 105 0514	MT-GLAZE 1K JA 1/16W	L5102	645 078 7041	INDUCTOR,39U J
R5100	401 105 2914	MT-GLAZE 22K JA 1/16W	L5103	645 043 7380	INDUCTOR,33U J
R5101	401 105 1719	MT-GLAZE 150K JA 1/16W	L5104	645 043 5898	INDUCTOR,47U J
R5102	401 105 0514	MT-GLAZE 1K JA 1/16W	L5121	645 078 7041	INDUCTOR,39U J
R5103	401 105 0712	MT-GLAZE 100K JA 1/16W	DIODE		
R5104	401 105 4215	MT-GLAZE 33K JA 1/16W	D101	407 221 7116	ZENER DIODE UDZS-TE-1712B
R5105	401 105 0712	MT-GLAZE 100K JA 1/16W	D102	407 221 7116	ZENER DIODE UDZS-TE-1712B
R5106	401 105 8015	MT-GLAZE 1M JA 1/16W	D103	407 221 7116	ZENER DIODE UDZS-TE-1712B
R5107	401 105 5915	MT-GLAZE 560 JA 1/16W	D104	407 221 7116	ZENER DIODE UDZS-TE-1712B
R5108	401 105 7315	MT-GLAZE 820 JA 1/16W	D1101	407 149 0817	DIODE 1SS355-TE-17
R5109	401 217 3915	MT-GLAZE 3.3K FA 1/16W	D1121	407 149 0817	DIODE 1SS355-TE-17
R5110	401 105 8213	MT-GLAZE 68K JA 1/16W	D121	407 209 1211	ZD UDZS-TE-176.2B
R5111	401 217 3915	MT-GLAZE 3.3K FA 1/16W	D122	407 209 1211	ZD UDZS-TE-176.2B
R5113	401 105 1016	MT-GLAZE 1.2K JA 1/16W	D123	407 209 1211	ZD UDZS-TE-176.2B
R5116	401 105 7315	MT-GLAZE 820 JA 1/16W	D124	407 209 1211	ZD UDZS-TE-176.2B
R5117	401 105 7414	MT-GLAZE 8.2K JA 1/16W	D125	407 221 7116	ZENER DIODE UDZS-TE-1712B
R5118	401 105 0514	MT-GLAZE 1K JA 1/16W	D131	407 209 1211	ZD UDZS-TE-176.2B
R5119	401 105 0613	MT-GLAZE 10K JA 1/16W	D132	407 209 1211	ZD UDZS-TE-176.2B
R5120	401 105 4710	MT-GLAZE 39K JA 1/16W	D133	407 209 1211	ZD UDZS-TE-176.2B
R5121	401 105 0613	MT-GLAZE 10K JA 1/16W	D134	407 209 1211	ZD UDZS-TE-176.2B
R5122	401 105 7414	MT-GLAZE 8.2K JA 1/16W	D2140	407 206 6318	ZD UDZS-TE-175.1B
R5123	401 105 0514	MT-GLAZE 1K JA 1/16W	D3121	407 149 0817	DIODE 1SS355-TE-17
R5124	401 105 0415	MT-GLAZE 100 JA 1/16W	D3131	407 206 6318	ZD UDZS-TE-175.1B

Electrical Parts List

Key No.	Part No.	Description	Key No.	Part No.	Description
D4181	407 149 0817	DIODE 1SS355-TE-17	IC7192	409 051 2930	IC TC4053BF(EL)
D4182	407 149 0817	DIODE 1SS355-TE-17	IC7221	409 344 1920	IC MN1382-Q-TX
D5101	407 216 7629	VARACTOR DI HVU17	IC7231	409 380 6313	IC HIN232CBZ
MISCELLANEOUS				409 273 3531	IC SP232ACT-L
K101	645 040 9974	JACK,RCA-2	IC7241	410 296 2402	IC TMP47C101MG-JV45 (ELZO
K121	645 040 9967	SOCKET,DIN 4P	IC7251	410 296 5700	IC TWM7000-151020
K131	645 031 6067	SOCKET,BNC 2P	IC7261	410 275 5806	IC TWM7000-162020
K3101	645 041 6071	SOCKET,I/O 176P		410 275 5707	IC TWM7000-162020
VC5101	645 003 9126	TRIMMER,10PF	IC7271	409 416 6515	IC BA05FP-E2
X1101	645 028 5622	OSC,CRYSTAL 20.000MHZ	IC7281	409 463 7510	IC 24LC02BT-I/SNG
	645 028 5646	OSC,CRYSTAL 20.000MHZ		409 417 5517	IC 24LC04BT/SN
X3141	610 012 0532	OSC,CERAMIC 500.0KHZ	CAPACITOR		
X3142	645 024 8788	OSC,CRYSTAL 3.579545MHZ	C7101	403 397 8810	NP-ELECT 4.7U M 16V
	645 025 1115	OSC,CRYSTAL 3.579545MHZ	C7102	403 397 8810	NP-ELECT 4.7U M 16V
X3143	645 024 8801	OSC,CRYSTAL 4.433619MHZ	C7103	403 155 1510	CERAMIC 180P J 50V
	645 025 1139	OSC,CRYSTAL 4.433619MHZ	C7104	403 146 0515	CERAMIC 1200P K 50V
X3145	645 028 1372	OSC,CRYSTAL 3.575611MHZ	C7105	403 398 2114	ELECT 330U M 6.3V
X3146	645 028 1365	OSC,CRYSTAL 3.582056MHZ	C7106	403 164 0214	CERAMIC 0.1U Z 25V
X5101	645 040 7819	OSC,CRYSTAL 17.734475MHZ	C7107	403 157 1914	CERAMIC 10P D 50V
D-SUB15 BOARD			C7108	403 157 1914	CERAMIC 10P D 50V
△	610 322 8761	ASSY,PWB,D-SUB15 MT8AD	C7109	403 157 1914	CERAMIC 10P D 50V
TRANSISTOR			C7111	403 398 2114	ELECT 330U M 6.3V
Q7161	405 014 4519	TR 2SC2412K T146 R	C7112	403 164 0214	CERAMIC 0.1U Z 25V
	405 014 4618	TR 2SC2412K T146 S	C7113	403 157 1518	CERAMIC 3P C 50V
	405 015 8724	TR 2SC2812-L6-TB	C7114	403 157 1518	CERAMIC 3P C 50V
	405 015 8922	TR 2SC2812-L7-TB	C7115	403 157 1518	CERAMIC 3P C 50V
	405 163 1612	TR 2SC2812N-L6-TB0	C7143	403 397 8810	NP-ELECT 4.7U M 16V
Q7171	405 014 4519	TR 2SC2412K T146 R	C7144	403 397 9015	NP-ELECT 1.0U M 50V
	405 014 4618	TR 2SC2412K T146 S	C7145	403 398 6112	ELECT 1U M 50V
	405 015 8724	TR 2SC2812-L6-TB	C7146	403 397 9015	NP-ELECT 1.0U M 50V
	405 015 8922	TR 2SC2812-L7-TB	C7148	403 398 6518	ELECT 2.2U M 50V
	405 163 1612	TR 2SC2812N-L6-TB0	C7149	403 398 6112	ELECT 1U M 50V
Q7181	405 014 4519	TR 2SC2412K T146 R	C7151	403 157 3611	CERAMIC 100P J 50V
	405 014 4618	TR 2SC2412K T146 S	C7152	403 164 0214	CERAMIC 0.1U Z 25V
	405 015 8724	TR 2SC2812-L6-TB	C7153	403 398 2114	ELECT 330U M 6.3V
	405 015 8922	TR 2SC2812-L7-TB	C7154	403 164 0214	CERAMIC 0.1U Z 25V
	405 163 1612	TR 2SC2812N-L6-TB0	C7155	403 391 5310	ELECT 47U M 6.3V
Q7182	405 014 4519	TR 2SC2412K T146 R	C7161	403 397 8612	NP-ELECT 10U M 16V
	405 014 4618	TR 2SC2412K T146 S	C7162	403 164 0214	CERAMIC 0.1U Z 25V
	405 015 8724	TR 2SC2812-L6-TB	C7164	403 397 9015	NP-ELECT 1.0U M 50V
	405 015 8922	TR 2SC2812-L7-TB	C7165	403 308 2111	CERAMIC 0.056U K 16V
	405 163 1612	TR 2SC2812N-L6-TB0	C7166	403 215 2914	CERAMIC 0.022U K 25V
Q7183	405 014 4519	TR 2SC2412K T146 R	C7167	403 157 6919	CERAMIC 820P K 50V
	405 014 4618	TR 2SC2412K T146 S	C7168	403 215 2211	CERAMIC 0.01U K 50V
	405 015 8724	TR 2SC2812-L6-TB	C7169	403 398 6112	ELECT 1U M 50V
	405 015 8922	TR 2SC2812-L7-TB	C7171	403 398 2114	ELECT 330U M 6.3V
	405 163 1612	TR 2SC2812N-L6-TB0	C7172	403 164 0214	CERAMIC 0.1U Z 25V
Q7184	405 014 4519	TR 2SC2412K T146 R	C7173	403 164 0214	CERAMIC 0.1U Z 25V
	405 014 4618	TR 2SC2412K T146 S	C7181	403 157 3116	CERAMIC 56P J 50V
	405 015 8724	TR 2SC2812-L6-TB	C7182	403 157 3116	CERAMIC 56P J 50V
	405 015 8922	TR 2SC2812-L7-TB	C7183	403 157 3116	CERAMIC 56P J 50V
	405 163 1612	TR 2SC2812N-L6-TB0	C7201	403 391 5518	ELECT 10U M 16V
Q7211	405 014 4519	TR 2SC2412K T146 R	C7202	403 391 5518	ELECT 10U M 16V
	405 014 4618	TR 2SC2412K T146 S	C7221	403 283 6319	CERAMIC 1U Z 10V
	405 015 8724	TR 2SC2812-L6-TB	C7231	403 283 6319	CERAMIC 1U Z 10V
	405 015 8922	TR 2SC2812-L7-TB	C7232	403 398 6112	ELECT 1U M 50V
	405 163 1612	TR 2SC2812N-L6-TB0	C7233	403 398 6112	ELECT 1U M 50V
Q7215	405 014 4519	TR 2SC2412K T146 R	C7234	403 398 6112	ELECT 1U M 50V
	405 014 4618	TR 2SC2412K T146 S	C7235	403 398 6112	ELECT 1U M 50V
	405 015 8724	TR 2SC2812-L6-TB	C7241	403 283 6319	CERAMIC 1U Z 10V
	405 015 8922	TR 2SC2812-L7-TB	C7251	403 391 5310	ELECT 47U M 6.3V
	405 163 1612	TR 2SC2812N-L6-TB0	C7252	403 283 6319	CERAMIC 1U Z 10V
INTEGRATED CIRCUIT			C7253	403 398 6112	ELECT 1U M 50V
IC7102	409 461 7314	IC AD8057ARTZ-REEL7	C7254	403 283 6319	CERAMIC 1U Z 10V
IC7103	409 461 7314	IC AD8057ARTZ-REEL7	C7261	403 283 6319	CERAMIC 1U Z 10V
IC7104	409 461 7314	IC AD8057ARTZ-REEL7	C7262	403 283 6319	CERAMIC 1U Z 10V
IC7105	410 343 7008	IC SN74AHCT1G14DBVR	C7271	403 398 2114	ELECT 330U M 6.3V
IC7106	410 343 7008	IC SN74AHCT1G14DBVR	C7272	403 164 0214	CERAMIC 0.1U Z 25V
IC7141	409 484 2013	IC BA7078AF-E2	RESISTOR		
IC7142	410 343 7008	IC SN74AHCT1G14DBVR	R7101	401 226 1216	MT-GLAZE 150 FA 1/16W
IC7143	410 343 7008	IC SN74AHCT1G14DBVR	R7102	401 226 1216	MT-GLAZE 150 FA 1/16W
IC7144	410 343 7008	IC SN74AHCT1G14DBVR	R7103	401 105 7919	MT-GLAZE 0.000 ZA 1/16W
IC7161	409 441 8416	IC LA7217M-T-TRM	R7104	401 226 1216	MT-GLAZE 150 FA 1/16W
IC7171	409 643 3912	IC QS3125QGX	R7105	401 226 1216	MT-GLAZE 150 FA 1/16W
IC7172	409 404 6322	IC M62320FP-DF5J	R7106	401 105 7919	MT-GLAZE 0.000 ZA 1/16W
IC7191	409 462 0324	IC 24LC21AT/SN	R7107	401 226 1216	MT-GLAZE 150 FA 1/16W
			R7108	401 226 1216	MT-GLAZE 150 FA 1/16W
			R7109	401 105 7919	MT-GLAZE 0.000 ZA 1/16W

Electrical Parts List

Key No.	Part No.	Description	Key No.	Part No.	Description
R7110	401 105 0712	MT-GLAZE 100K JA 1/16W	R7252	401 105 0613	MT-GLAZE 10K JA 1/16W
R7112	401 105 7919	MT-GLAZE 0.000 ZA 1/16W	R7253	401 105 7919	MT-GLAZE 0.000 ZA 1/16W
R7114	401 105 0415	MT-GLAZE 100 JA 1/16W	R7254	401 105 7919	MT-GLAZE 0.000 ZA 1/16W
R7116	401 105 7919	MT-GLAZE 0.000 ZA 1/16W	R7261	401 105 0613	MT-GLAZE 10K JA 1/16W
R7118	401 105 0415	MT-GLAZE 100 JA 1/16W	R7262	401 105 0613	MT-GLAZE 10K JA 1/16W
R7119	401 105 0415	MT-GLAZE 100 JA 1/16W	R7263	401 105 0415	MT-GLAZE 100 JA 1/16W
R7120	401 113 8915	MT-GLAZE 200K JA 1/16W	R7264	401 105 0613	MT-GLAZE 10K JA 1/16W
R7121	401 105 2617	MT-GLAZE 22 JA 1/16W	R7265	401 105 0613	MT-GLAZE 10K JA 1/16W
R7122	401 105 2617	MT-GLAZE 22 JA 1/16W	R7266	401 105 7919	MT-GLAZE 0.000 ZA 1/16W
R7124	401 105 4512	MT-GLAZE 390 JA 1/16W	R7281	401 105 0415	MT-GLAZE 100 JA 1/16W
R7127	401 105 0514	MT-GLAZE 1K JA 1/16W	R7282	401 105 0415	MT-GLAZE 100 JA 1/16W
R7129	401 105 4512	MT-GLAZE 390 JA 1/16W	R7283	401 105 0613	MT-GLAZE 10K JA 1/16W
R7133	401 105 0514	MT-GLAZE 1K JA 1/16W	R7284	401 105 0613	MT-GLAZE 10K JA 1/16W
R7135	401 105 4512	MT-GLAZE 390 JA 1/16W	R7285	401 105 0613	MT-GLAZE 10K JA 1/16W
R7138	401 105 0514	MT-GLAZE 1K JA 1/16W	R7286	401 105 7919	MT-GLAZE 0.000 ZA 1/16W
R7143	401 105 7919	MT-GLAZE 0.000 ZA 1/16W	R7288	401 035 4118	MT-GLAZE 0.000 ZA 1/8W
R7146	401 105 0415	MT-GLAZE 100 JA 1/16W	RB7241	645 025 5380	R-NETWORK 10KX4 1/16W
R7147	401 105 8015	MT-GLAZE 1M JA 1/16W		645 026 8014	R-NETWORK 10KX4 1/16W
R7148	401 105 4611	MT-GLAZE 3.9K JA 1/16W	COIL		
R7149	401 105 0415	MT-GLAZE 100 JA 1/16W	L7104	645 025 0637	FILTER,EMI 190PF
R7151	401 105 0415	MT-GLAZE 100 JA 1/16W	L7105	645 025 0637	FILTER,EMI 190PF
R7152	401 105 0415	MT-GLAZE 100 JA 1/16W	L7201	645 014 2659	FILTER,EMI 10MHZ
R7153	401 105 0415	MT-GLAZE 100 JA 1/16W	L7202	645 014 2659	FILTER,EMI 10MHZ
R7154	401 105 0415	MT-GLAZE 100 JA 1/16W	L7203	645 014 2659	FILTER,EMI 10MHZ
R7155	401 105 0415	MT-GLAZE 100 JA 1/16W	L7204	645 014 2659	FILTER,EMI 10MHZ
R7156	401 105 0415	MT-GLAZE 100 JA 1/16W	L7205	645 014 2659	FILTER,EMI 10MHZ
R7160	401 105 8015	MT-GLAZE 1M JA 1/16W	L7206	645 014 2659	FILTER,EMI 10MHZ
R7162	401 105 0613	MT-GLAZE 10K JA 1/16W	L7207	645 014 2659	FILTER,EMI 10MHZ
R7163	401 105 4116	MT-GLAZE 3.3K JA 1/16W	L7208	645 014 2659	FILTER,EMI 10MHZ
R7164	401 105 2112	MT-GLAZE 18K JA 1/16W	L7209	645 014 2659	FILTER,EMI 10MHZ
R7165	401 105 0514	MT-GLAZE 1K JA 1/16W	DIODE		
R7166	401 105 1719	MT-GLAZE 150K JA 1/16W	D7101	407 209 1211	ZD UDZS-TE-176.2B
R7167	401 105 0415	MT-GLAZE 100 JA 1/16W	D7102	407 209 1211	ZD UDZS-TE-176.2B
R7169	401 105 7919	MT-GLAZE 0.000 ZA 1/16W	D7103	407 209 1211	ZD UDZS-TE-176.2B
R7170	401 105 5915	MT-GLAZE 560 JA 1/16W	D7104	407 209 1211	ZD UDZS-TE-176.2B
R7171	401 105 4611	MT-GLAZE 3.9K JA 1/16W	D7105	407 209 1211	ZD UDZS-TE-176.2B
R7172	401 105 7919	MT-GLAZE 0.000 ZA 1/16W	D7106	407 209 1211	ZD UDZS-TE-176.2B
R7173	401 105 7919	MT-GLAZE 0.000 ZA 1/16W	D7107	407 209 1211	ZD UDZS-TE-176.2B
R7174	401 105 7919	MT-GLAZE 0.000 ZA 1/16W	D7108	407 209 1211	ZD UDZS-TE-176.2B
R7175	401 105 7919	MT-GLAZE 0.000 ZA 1/16W	D7109	407 209 1211	ZD UDZS-TE-176.2B
R7176	401 105 0613	MT-GLAZE 10K JA 1/16W	D7111	407 209 1211	ZD UDZS-TE-176.2B
R7177	401 105 4710	MT-GLAZE 39K JA 1/16W	D7112	407 149 0817	DIODE 1SS355-TE-17
R7178	401 105 0613	MT-GLAZE 10K JA 1/16W	D7113	407 149 0817	DIODE 1SS355-TE-17
R7179	401 105 0613	MT-GLAZE 10K JA 1/16W	D7114	407 209 1211	ZD UDZS-TE-176.2B
R7181	401 105 0613	MT-GLAZE 10K JA 1/16W	D7115	407 209 1211	ZD UDZS-TE-176.2B
R7182	401 105 0613	MT-GLAZE 10K JA 1/16W	D7191	407 149 0817	DIODE 1SS355-TE-17
R7183	401 105 0613	MT-GLAZE 10K JA 1/16W	D7192	407 149 0817	DIODE 1SS355-TE-17
R7184	401 105 0613	MT-GLAZE 10K JA 1/16W	D7195	407 149 0817	DIODE 1SS355-TE-17
R7185	401 105 0514	MT-GLAZE 1K JA 1/16W	D7196	407 149 0817	DIODE 1SS355-TE-17
R7191	401 105 5311	MT-GLAZE 4.7K JA 1/16W	D7201	407 221 7116	ZENER DIODE UDZS-TE-1712B
R7192	401 105 5311	MT-GLAZE 4.7K JA 1/16W	D7202	407 221 7116	ZENER DIODE UDZS-TE-1712B
R7193	401 105 0613	MT-GLAZE 10K JA 1/16W	D7203	407 221 7116	ZENER DIODE UDZS-TE-1712B
R7194	401 105 0613	MT-GLAZE 10K JA 1/16W	D7204	407 221 7116	ZENER DIODE UDZS-TE-1712B
R7195	401 105 0613	MT-GLAZE 10K JA 1/16W	D7205	407 221 7116	ZENER DIODE UDZS-TE-1712B
R7201	401 105 5519	MT-GLAZE 470K JA 1/16W	D7206	407 221 7116	ZENER DIODE UDZS-TE-1712B
R7202	401 105 5519	MT-GLAZE 470K JA 1/16W	D7207	407 221 7116	ZENER DIODE UDZS-TE-1712B
R7203	401 105 0415	MT-GLAZE 100 JA 1/16W	D7208	407 221 7116	ZENER DIODE UDZS-TE-1712B
R7204	401 105 0415	MT-GLAZE 100 JA 1/16W	D7209	407 221 7116	ZENER DIODE UDZS-TE-1712B
R7206	401 105 0613	MT-GLAZE 10K JA 1/16W	D7211	407 221 7116	ZENER DIODE UDZS-TE-1712B
R7207	401 105 4215	MT-GLAZE 33K JA 1/16W	D7212	407 221 7116	ZENER DIODE UDZS-TE-1712B
R7208	401 105 3010	MT-GLAZE 220K JA 1/16W	D7213	407 221 7116	ZENER DIODE UDZS-TE-1712B
R7209	401 105 3010	MT-GLAZE 220K JA 1/16W	D7214	407 221 7116	ZENER DIODE UDZS-TE-1712B
R7211	401 105 3010	MT-GLAZE 220K JA 1/16W	D7215	407 206 6318	ZD UDZS-TE-175.1B
R7212	401 105 0415	MT-GLAZE 100 JA 1/16W	MISCELLANEOUS		
R7213	401 105 2815	MT-GLAZE 2.2K JA 1/16W	K71A	645 027 7092	SOCKET,D-SUB 15P
R7214	401 105 0415	MT-GLAZE 100 JA 1/16W		645 048 2205	SOCKET,D-SUB 15P
R7215	401 105 3010	MT-GLAZE 220K JA 1/16W	K71H	645 041 6071	SOCKET,I/O 176P
R7216	401 105 0415	MT-GLAZE 100 JA 1/16W	K72A	645 040 9974	JACK,RCA-2
R7217	401 105 2815	MT-GLAZE 2.2K JA 1/16W	K72B	645 041 1076	SOCKET,DIN 8P
R7218	401 105 0415	MT-GLAZE 100 JA 1/16W	X7161	645 006 3459	OSC,CERAMIC 500.0KHZ
R7221	401 105 7919	MT-GLAZE 0.000 ZA 1/16W	X7241	645 024 8566	OSC,CERAMIC 6.00MHZ
R7222	401 105 7919	MT-GLAZE 0.000 ZA 1/16W		645 037 5217	OSC,CERAMIC 6.00MHZ
R7231	401 105 7919	MT-GLAZE 0.000 ZA 1/16W	X7251	645 021 1218	OSC,CERAMIC 8.00MHZ
R7245	401 105 0613	MT-GLAZE 10K JA 1/16W		645 037 5187	OSC,CERAMIC 8.00MHZ
R7246	401 105 0613	MT-GLAZE 10K JA 1/16W	X7261	645 021 1218	OSC,CERAMIC 8.00MHZ
R7247	401 105 0613	MT-GLAZE 10K JA 1/16W		645 037 5187	OSC,CERAMIC 8.00MHZ
R7248	401 105 7919	MT-GLAZE 0.000 ZA 1/16W			
R7251	401 105 0613	MT-GLAZE 10K JA 1/16W			

Key No.	Part No.	Description	Key No.	Part No.	Description
CG MOTHER BOARD			IC9098	409 461 7829	IC PQ20WZ11
△ 610 322 8839 ASSY,PWB,CGMOTHER MT8AD			IC9099	409 461 7829	IC PQ20WZ11
TRANSISTOR			CAPACITOR		
Q9001	405 014 4519	TR 2SC2412K T146 R	C9002	403 164 0214	CERAMIC 0.1U Z 25V
	405 014 4618	TR 2SC2412K T146 S	C9003	403 391 5112	ELECT 100U M 16V
	405 015 8724	TR 2SC2812-L6-TB	C9004	403 164 0214	CERAMIC 0.1U Z 25V
	405 015 8922	TR 2SC2812-L7-TB	C9005	403 205 7813	TA-SOLID 2.2U M 16V
Q9002	405 163 1612	TR 2SC2812N-L6-TB0		403 385 4916	TA-SOLID 2.2U M 16V
	405 134 5925	TR 2SA1037AK-T146-R	C9006	403 205 7813	TA-SOLID 2.2U M 16V
	405 147 2215	TR 2SA1037AK-S-T146		403 385 4916	TA-SOLID 2.2U M 16V
	405 002 0318	TR 2SA1037K T146 R	C9007	403 205 7813	TA-SOLID 2.2U M 16V
	405 002 0417	TR 2SA1037K T146 S		403 385 4916	TA-SOLID 2.2U M 16V
	405 002 6726	TR 2SA1179-M6-TB	C9008	403 205 7813	TA-SOLID 2.2U M 16V
	405 002 6924	TR 2SA1179-M7-TB		403 385 4916	TA-SOLID 2.2U M 16V
Q9003	405 163 1513	TR 2SA1179N-M6-TB	C9009	403 205 7813	TA-SOLID 2.2U M 16V
	405 014 4519	TR 2SC2412K T146 R		403 385 4916	TA-SOLID 2.2U M 16V
	405 014 4618	TR 2SC2412K T146 S	C9010	403 164 0214	CERAMIC 0.1U Z 25V
	405 015 8724	TR 2SC2812-L6-TB	C9011	403 205 7813	TA-SOLID 2.2U M 16V
	405 015 8922	TR 2SC2812-L7-TB		403 385 4916	TA-SOLID 2.2U M 16V
Q9004	405 163 1612	TR 2SC2812N-L6-TB0	C9012	403 205 7813	TA-SOLID 2.2U M 16V
	405 134 5925	TR 2SA1037AK-T146-R		403 385 4916	TA-SOLID 2.2U M 16V
	405 147 2215	TR 2SA1037AK-S-T146	C9013	403 205 7813	TA-SOLID 2.2U M 16V
	405 002 0318	TR 2SA1037K T146 R		403 385 4916	TA-SOLID 2.2U M 16V
	405 002 0417	TR 2SA1037K T146 S	C9014	403 391 5310	ELECT 47U M 6.3V
	405 002 6726	TR 2SA1179-M6-TB	C9015	403 164 0214	CERAMIC 0.1U Z 25V
	405 002 6924	TR 2SA1179-M7-TB	C9016	403 391 5310	ELECT 47U M 6.3V
Q9021	405 163 1513	TR 2SA1179N-M6-TB	C9017	403 164 0214	CERAMIC 0.1U Z 25V
	405 014 4519	TR 2SC2412K T146 R	C9018	403 391 5310	ELECT 47U M 6.3V
	405 014 4618	TR 2SC2412K T146 S	C9019	403 164 0214	CERAMIC 0.1U Z 25V
	405 015 8724	TR 2SC2812-L6-TB	C9020	403 398 2114	ELECT 330U M 6.3V
	405 015 8922	TR 2SC2812-L7-TB	C9021	403 164 0214	CERAMIC 0.1U Z 25V
Q9027	405 163 1612	TR 2SC2812N-L6-TB0	C9022	403 164 0214	CERAMIC 0.1U Z 25V
	405 014 4519	TR 2SC2412K T146 R	C9023	403 149 9218	CERAMIC 0.01U Z 50V
	405 014 4618	TR 2SC2412K T146 S	C9024	403 149 9218	CERAMIC 0.01U Z 50V
	405 015 8724	TR 2SC2812-L6-TB	C9025	403 149 9218	CERAMIC 0.01U Z 50V
	405 015 8922	TR 2SC2812-L7-TB	C9026	403 164 0214	CERAMIC 0.1U Z 25V
Q9028	405 163 1612	TR 2SC2812N-L6-TB0	C9027	403 164 0214	CERAMIC 0.1U Z 25V
	405 014 4519	TR 2SC2412K T146 R	C9028	403 391 5310	ELECT 47U M 6.3V
	405 014 4618	TR 2SC2412K T146 S	C9029	403 149 9218	CERAMIC 0.01U Z 50V
	405 015 8724	TR 2SC2812-L6-TB	C9030	403 397 5413	ELECT 470U M 4V
	405 015 8922	TR 2SC2812-L7-TB	C9031	403 149 9218	CERAMIC 0.01U Z 50V
Q9029	405 163 1612	TR 2SC2812N-L6-TB0	C9033	403 149 9218	CERAMIC 0.01U Z 50V
	405 014 4519	TR 2SC2412K T146 R	C9034	403 391 5310	ELECT 47U M 6.3V
	405 014 4618	TR 2SC2412K T146 S	C9035	403 164 0214	CERAMIC 0.1U Z 25V
	405 015 8724	TR 2SC2812-L6-TB	C9036	403 164 0214	CERAMIC 0.1U Z 25V
	405 015 8922	TR 2SC2812-L7-TB	C9037	403 164 0214	CERAMIC 0.1U Z 25V
Q9030	405 163 1612	TR 2SC2812N-L6-TB0	C9038	403 149 9218	CERAMIC 0.01U Z 50V
	405 014 4519	TR 2SC2412K T146 R	C9039	403 149 9218	CERAMIC 0.01U Z 50V
	405 014 4618	TR 2SC2412K T146 S	C9041	403 149 9218	CERAMIC 0.01U Z 50V
	405 015 8724	TR 2SC2812-L6-TB	C9042	403 164 0214	CERAMIC 0.1U Z 25V
	405 015 8922	TR 2SC2812-L7-TB	C9043	403 164 0214	CERAMIC 0.1U Z 25V
INTEGRATED CIRCUIT			C9044	403 391 5310	ELECT 47U M 6.3V
IC9001	409 438 5510	IC TC4052BFT	C9045	403 149 9218	CERAMIC 0.01U Z 50V
IC9002	409 438 5510	IC TC4052BFT	C9046	403 149 9218	CERAMIC 0.01U Z 50V
IC9003	409 416 6416	IC BA033FP-E2	C9048	403 149 9218	CERAMIC 0.01U Z 50V
	409 410 1011	IC UPC2933T-E1	C9049	403 391 5310	ELECT 47U M 6.3V
IC9005	409 451 4118	IC SN74F244NSR	C9051	403 164 0214	CERAMIC 0.1U Z 25V
IC9006	409 462 6019	IC AD8185ARUZ-REEL7	C9057	403 393 0016	ELECT 470U M 25V
IC9007	409 462 6019	IC AD8185ARUZ-REEL7	C9059	403 393 0016	ELECT 470U M 25V
IC9013	409 438 5510	IC TC4052BFT	C9061	403 393 0016	ELECT 470U M 25V
IC9014	409 643 3912	IC QS3125QGX	C9062	403 393 0016	ELECT 470U M 25V
IC9016	409 489 5019	IC TC74VCX04FT	C9064	403 393 0016	ELECT 470U M 25V
IC9017	409 522 7512	IC TC7SA08FU	C9065	403 393 0016	ELECT 470U M 25V
IC9021	409 404 6322	IC M62320FP-DF5J	C9066	403 391 5310	ELECT 47U M 6.3V
IC9022	409 404 6322	IC M62320FP-DF5J	C9067	403 164 0214	CERAMIC 0.1U Z 25V
IC9031	410 464 9707	IC 74VCX162374MTDX (PBF)	C9068	403 397 6519	ELECT 47U M 16V
IC9032	410 464 9707	IC 74VCX162374MTDX (PBF)	C9069	403 164 0214	CERAMIC 0.1U Z 25V
IC9033	410 464 9707	IC 74VCX162374MTDX (PBF)	C9070	403 164 0214	CERAMIC 0.1U Z 25V
IC9041	410 466 0504	IC TC74VCX2374FT	C9071	403 164 0214	CERAMIC 0.1U Z 25V
IC9091	409 416 6515	IC BA05FP-E2	C9072	403 164 0214	CERAMIC 0.1U Z 25V
IC9092	409 416 6515	IC BA05FP-E2	C9073	403 164 0214	CERAMIC 0.1U Z 25V
IC9093	409 416 6515	IC BA05FP-E2	C9074	403 164 0214	CERAMIC 0.1U Z 25V
IC9094	409 416 6515	IC BA05FP-E2	C9075	403 397 6519	ELECT 47U M 16V
IC9096	409 461 7829	IC PQ20WZ11	C9076	403 397 6519	ELECT 47U M 16V
IC9097	409 461 7829	IC PQ20WZ11	C9077	403 164 0214	CERAMIC 0.1U Z 25V
			C9078	403 397 6519	ELECT 47U M 16V
			C9081	403 164 0214	CERAMIC 0.1U Z 25V
			C9082	403 345 6615	CERAMIC 1U M 10V

Electrical Parts List

Key No.	Part No.	Description	Key No.	Part No.	Description
C9083	403 391 5310	ELECT 47U M 6.3V	R9065	401 105 0415	MT-GLAZE 100 JA 1/16W
C9084	403 164 0214	CERAMIC 0.1U Z 25V	R9066	401 105 0613	MT-GLAZE 10K JA 1/16W
C9086	403 164 0214	CERAMIC 0.1U Z 25V	R9067	401 105 0613	MT-GLAZE 10K JA 1/16W
C9087	403 113 3815	CERAMIC 1000P K 50V	R9068	401 105 0613	MT-GLAZE 10K JA 1/16W
C9089	403 164 0214	CERAMIC 0.1U Z 25V	R9069	401 105 0613	MT-GLAZE 10K JA 1/16W
C9090	403 113 3815	CERAMIC 1000P K 50V	R9070	401 105 7919	MT-GLAZE 0.000 ZA 1/16W
C9091	403 397 5512	ELECT 100U M 6.3V	R9071	401 105 0613	MT-GLAZE 10K JA 1/16W
C9092	403 164 0214	CERAMIC 0.1U Z 25V	R9072	401 105 0613	MT-GLAZE 10K JA 1/16W
C9093	403 397 5512	ELECT 100U M 6.3V	R9074	401 105 7919	MT-GLAZE 0.000 ZA 1/16W
C9094	403 164 0214	CERAMIC 0.1U Z 25V	R9075	401 105 2815	MT-GLAZE 2.2K JA 1/16W
C9095	403 397 5512	ELECT 100U M 6.3V	R9076	401 113 5716	MT-GLAZE 910 JA 1/16W
C9096	403 164 0214	CERAMIC 0.1U Z 25V	R9077	401 105 7919	MT-GLAZE 0.000 ZA 1/16W
C9097	403 397 5512	ELECT 100U M 6.3V	R9078	401 105 2815	MT-GLAZE 2.2K JA 1/16W
C9098	403 164 0214	CERAMIC 0.1U Z 25V	R9079	401 113 5716	MT-GLAZE 910 JA 1/16W
C9100	403 164 0214	CERAMIC 0.1U Z 25V	R9080	401 105 7919	MT-GLAZE 0.000 ZA 1/16W
C9101	403 113 3815	CERAMIC 1000P K 50V	R9081	401 113 4412	MT-GLAZE 75 JA 1/16W
C9102	403 164 0214	CERAMIC 0.1U Z 25V	R9082	401 105 4413	MT-GLAZE 39 JA 1/16W
C9103	403 397 5413	ELECT 470U M 4V	R9083	401 113 4412	MT-GLAZE 75 JA 1/16W
RESISTOR			R9084	401 105 4413	MT-GLAZE 39 JA 1/16W
R9001	401 105 0415	MT-GLAZE 100 JA 1/16W	R9085	401 113 4412	MT-GLAZE 75 JA 1/16W
R9002	401 105 0415	MT-GLAZE 100 JA 1/16W	R9086	401 105 4413	MT-GLAZE 39 JA 1/16W
R9003	401 105 0415	MT-GLAZE 100 JA 1/16W	R9087	401 113 4412	MT-GLAZE 75 JA 1/16W
R9004	401 105 0415	MT-GLAZE 100 JA 1/16W	R9088	401 105 4413	MT-GLAZE 39 JA 1/16W
R9005	401 105 0415	MT-GLAZE 100 JA 1/16W	R9089	401 113 4412	MT-GLAZE 75 JA 1/16W
R9006	401 105 0415	MT-GLAZE 100 JA 1/16W	R9090	401 105 7919	MT-GLAZE 0.000 ZA 1/16W
R9007	401 105 0415	MT-GLAZE 100 JA 1/16W	R9091	401 105 4413	MT-GLAZE 39 JA 1/16W
R9008	401 105 0415	MT-GLAZE 100 JA 1/16W	R9092	401 113 4412	MT-GLAZE 75 JA 1/16W
R9009	401 105 0415	MT-GLAZE 100 JA 1/16W	R9093	401 105 4413	MT-GLAZE 39 JA 1/16W
R9010	401 105 0316	MT-GLAZE 10 JA 1/16W	R9094	401 105 1818	MT-GLAZE 18 JA 1/16W
R9011	401 105 0415	MT-GLAZE 100 JA 1/16W	R9095	401 105 1818	MT-GLAZE 18 JA 1/16W
R9012	401 105 0613	MT-GLAZE 10K JA 1/16W	R9096	401 105 4413	MT-GLAZE 39 JA 1/16W
R9013	401 105 0613	MT-GLAZE 10K JA 1/16W	R9097	401 105 1818	MT-GLAZE 18 JA 1/16W
R9014	401 105 0613	MT-GLAZE 10K JA 1/16W	R9098	401 105 1818	MT-GLAZE 18 JA 1/16W
R9015	401 105 0613	MT-GLAZE 10K JA 1/16W	R9099	401 105 4413	MT-GLAZE 39 JA 1/16W
R9016	401 105 0613	MT-GLAZE 10K JA 1/16W	R9101	401 105 1818	MT-GLAZE 18 JA 1/16W
R9017	401 105 0613	MT-GLAZE 10K JA 1/16W	R9102	401 105 1818	MT-GLAZE 18 JA 1/16W
R9018	401 105 0613	MT-GLAZE 10K JA 1/16W	R9103	401 105 1818	MT-GLAZE 18 JA 1/16W
R9019	401 105 0613	MT-GLAZE 10K JA 1/16W	R9104	401 105 4413	MT-GLAZE 39 JA 1/16W
R9020	401 105 0613	MT-GLAZE 10K JA 1/16W	R9105	401 105 2815	MT-GLAZE 2.2K JA 1/16W
R9021	401 105 0613	MT-GLAZE 10K JA 1/16W	R9107	401 105 2815	MT-GLAZE 2.2K JA 1/16W
R9022	401 105 2815	MT-GLAZE 2.2K JA 1/16W	R9108	401 105 0316	MT-GLAZE 10 JA 1/16W
R9023	401 105 2815	MT-GLAZE 2.2K JA 1/16W	R9111	401 113 4412	MT-GLAZE 75 JA 1/16W
R9024	401 105 0613	MT-GLAZE 10K JA 1/16W	R9112	401 105 4413	MT-GLAZE 39 JA 1/16W
R9025	401 105 2815	MT-GLAZE 2.2K JA 1/16W	R9113	401 113 4412	MT-GLAZE 75 JA 1/16W
R9026	401 105 2815	MT-GLAZE 2.2K JA 1/16W	R9114	401 105 4413	MT-GLAZE 39 JA 1/16W
R9027	401 105 0415	MT-GLAZE 100 JA 1/16W	R9115	401 113 4412	MT-GLAZE 75 JA 1/16W
R9028	401 105 0712	MT-GLAZE 100K JA 1/16W	R9116	401 105 4413	MT-GLAZE 39 JA 1/16W
R9029	401 105 0415	MT-GLAZE 100 JA 1/16W	R9117	401 113 4412	MT-GLAZE 75 JA 1/16W
R9030	401 105 0613	MT-GLAZE 10K JA 1/16W	R9118	401 105 4413	MT-GLAZE 39 JA 1/16W
R9031	401 105 0712	MT-GLAZE 100K JA 1/16W	R9119	401 113 4412	MT-GLAZE 75 JA 1/16W
R9032	401 105 0415	MT-GLAZE 100 JA 1/16W	R9121	401 105 4413	MT-GLAZE 39 JA 1/16W
R9033	401 105 0712	MT-GLAZE 100K JA 1/16W	R9122	401 113 4412	MT-GLAZE 75 JA 1/16W
R9034	401 105 0415	MT-GLAZE 100 JA 1/16W	R9123	401 105 4413	MT-GLAZE 39 JA 1/16W
R9035	401 105 0712	MT-GLAZE 100K JA 1/16W	R9124	401 105 1818	MT-GLAZE 18 JA 1/16W
R9036	401 105 0712	MT-GLAZE 100K JA 1/16W	R9125	401 105 1818	MT-GLAZE 18 JA 1/16W
R9037	401 105 0415	MT-GLAZE 100 JA 1/16W	R9126	401 105 4413	MT-GLAZE 39 JA 1/16W
R9038	401 105 0712	MT-GLAZE 100K JA 1/16W	R9127	401 105 1818	MT-GLAZE 18 JA 1/16W
R9039	401 105 0415	MT-GLAZE 100 JA 1/16W	R9128	401 105 1818	MT-GLAZE 18 JA 1/16W
R9040	401 105 0613	MT-GLAZE 10K JA 1/16W	R9129	401 105 4413	MT-GLAZE 39 JA 1/16W
R9041	401 105 0712	MT-GLAZE 100K JA 1/16W	R9131	401 105 1818	MT-GLAZE 18 JA 1/16W
R9042	401 105 0415	MT-GLAZE 100 JA 1/16W	R9132	401 105 1818	MT-GLAZE 18 JA 1/16W
R9043	401 105 0712	MT-GLAZE 100K JA 1/16W	R9133	401 105 1818	MT-GLAZE 18 JA 1/16W
R9044	401 105 0415	MT-GLAZE 100 JA 1/16W	R9134	401 105 4413	MT-GLAZE 39 JA 1/16W
R9047	401 105 0613	MT-GLAZE 10K JA 1/16W	R9135	401 105 2815	MT-GLAZE 2.2K JA 1/16W
R9048	401 105 0613	MT-GLAZE 10K JA 1/16W	R9137	401 105 0613	MT-GLAZE 10K JA 1/16W
R9049	401 105 0613	MT-GLAZE 10K JA 1/16W	R9138	401 105 0613	MT-GLAZE 10K JA 1/16W
R9050	401 105 0613	MT-GLAZE 10K JA 1/16W	R9139	401 105 0316	MT-GLAZE 10 JA 1/16W
R9051	401 105 0613	MT-GLAZE 10K JA 1/16W	R9141	401 105 0613	MT-GLAZE 10K JA 1/16W
R9052	401 105 0712	MT-GLAZE 100K JA 1/16W	R9161	401 105 7919	MT-GLAZE 0.000 ZA 1/16W
R9053	401 105 0415	MT-GLAZE 100 JA 1/16W	R9162	401 105 2815	MT-GLAZE 2.2K JA 1/16W
R9054	401 105 0712	MT-GLAZE 100K JA 1/16W	R9163	401 113 5716	MT-GLAZE 910 JA 1/16W
R9055	401 105 0415	MT-GLAZE 100 JA 1/16W	R9164	401 105 7919	MT-GLAZE 0.000 ZA 1/16W
R9056	401 105 0712	MT-GLAZE 100K JA 1/16W	R9165	401 105 2815	MT-GLAZE 2.2K JA 1/16W
R9057	401 105 0415	MT-GLAZE 100 JA 1/16W	R9166	401 113 5716	MT-GLAZE 910 JA 1/16W
R9058	401 105 0712	MT-GLAZE 100K JA 1/16W	R9171	401 105 0415	MT-GLAZE 100 JA 1/16W
R9059	401 105 0415	MT-GLAZE 100 JA 1/16W	R9172	401 105 0415	MT-GLAZE 100 JA 1/16W
R9063	401 105 7919	MT-GLAZE 0.000 ZA 1/16W	R9174	401 105 0415	MT-GLAZE 100 JA 1/16W
R9064	401 105 0415	MT-GLAZE 100 JA 1/16W	R9175	401 105 0415	MT-GLAZE 100 JA 1/16W

Key No.	Part No.	Description	Key No.	Part No.	Description
R9176	401 105 0415	MT-GLAZE 100 JA 1/16W	R5808	401 105 0415	MT-GLAZE 100 JA 1/16W
R9177	401 105 0415	MT-GLAZE 100 JA 1/16W	RS232C BOARD		
R9183	401 105 0613	MT-GLAZE 10K JA 1/16W	RS232C BOARD		
R9184	401 105 0613	MT-GLAZE 10K JA 1/16W	RS232C BOARD		
R9185	401 105 0613	MT-GLAZE 10K JA 1/16W	RS232C BOARD		
R9186	401 105 0613	MT-GLAZE 10K JA 1/16W	RS232C BOARD		
R9187	401 105 0613	MT-GLAZE 10K JA 1/16W	RS232C BOARD		
R9188	401 105 0613	MT-GLAZE 10K JA 1/16W	RS232C BOARD		
R9189	401 105 0613	MT-GLAZE 10K JA 1/16W	RS232C BOARD		
R9191	401 105 0613	MT-GLAZE 10K JA 1/16W	RS232C BOARD		
R9195	401 035 4316	MT-GLAZE 10 JA 1/8W	RS232C BOARD		
R9196	401 035 4316	MT-GLAZE 10 JA 1/8W	RS232C BOARD		
R9501	401 105 0613	MT-GLAZE 10K JA 1/16W	RS232C BOARD		
R9502	401 105 5311	MT-GLAZE 4.7K JA 1/16W	RS232C BOARD		
R9503	401 105 5311	MT-GLAZE 4.7K JA 1/16W	RS232C BOARD		
R9504	401 105 0613	MT-GLAZE 10K JA 1/16W	RS232C BOARD		
R9505	401 105 5311	MT-GLAZE 4.7K JA 1/16W	RS232C BOARD		
R9506	401 105 5311	MT-GLAZE 4.7K JA 1/16W	RS232C BOARD		
R9507	401 105 0415	MT-GLAZE 100 JA 1/16W	RS232C BOARD		
R9508	401 105 5311	MT-GLAZE 4.7K JA 1/16W	RS232C BOARD		
R9509	401 105 5311	MT-GLAZE 4.7K JA 1/16W	RS232C BOARD		
R9510	401 105 5311	MT-GLAZE 4.7K JA 1/16W	RS232C BOARD		
R9511	401 105 0613	MT-GLAZE 10K JA 1/16W	RS232C BOARD		
R9512	401 105 0613	MT-GLAZE 10K JA 1/16W	RS232C BOARD		
R9513	401 105 0613	MT-GLAZE 10K JA 1/16W	RS232C BOARD		
R9514	401 105 0316	MT-GLAZE 10 JA 1/16W	RS232C BOARD		
R9515	401 105 0415	MT-GLAZE 100 JA 1/16W	RS232C BOARD		
R9516	401 105 0415	MT-GLAZE 100 JA 1/16W	RS232C BOARD		
R9517	401 105 0415	MT-GLAZE 100 JA 1/16W	RS232C BOARD		
R9518	401 105 0415	MT-GLAZE 100 JA 1/16W	RS232C BOARD		
R9519	401 105 0415	MT-GLAZE 100 JA 1/16W	RS232C BOARD		
R9520	401 105 5311	MT-GLAZE 4.7K JA 1/16W	RS232C BOARD		
R9521	401 105 0415	MT-GLAZE 100 JA 1/16W	RS232C BOARD		
R9522	401 105 0415	MT-GLAZE 100 JA 1/16W	RS232C BOARD		
R9523	401 105 0613	MT-GLAZE 10K JA 1/16W	RS232C BOARD		
R9524	401 105 5311	MT-GLAZE 4.7K JA 1/16W	RS232C BOARD		
R9525	401 105 5311	MT-GLAZE 4.7K JA 1/16W	RS232C BOARD		
R9526	401 105 0613	MT-GLAZE 10K JA 1/16W	RS232C BOARD		
R9527	401 105 5311	MT-GLAZE 4.7K JA 1/16W	RS232C BOARD		
R9528	401 105 5311	MT-GLAZE 4.7K JA 1/16W	RS232C BOARD		
R9529	401 105 7919	MT-GLAZE 0.000 ZA 1/16W	RS232C BOARD		
R9530	401 105 7919	MT-GLAZE 0.000 ZA 1/16W	RS232C BOARD		
R9531	401 105 7919	MT-GLAZE 0.000 ZA 1/16W	RS232C BOARD		
R9532	401 105 7919	MT-GLAZE 0.000 ZA 1/16W	RS232C BOARD		
R9533	401 105 7919	MT-GLAZE 0.000 ZA 1/16W	RS232C BOARD		
R9535	401 105 2617	MT-GLAZE 22 JA 1/16W	RS232C BOARD		
R9537	401 105 7919	MT-GLAZE 0.000 ZA 1/16W	RS232C BOARD		
DIODE			TRANSISTOR		
D9004	407 190 4116	DIODE SFPL-52V	Q3851	405 014 4519	TR 2SC2412K T146 R
D9011	407 221 7116	ZENER DIODE UDZS-TE-1712B		405 014 4618	TR 2SC2412K T146 S
D9013	407 223 1112	ZENER DIODE 02DZ6.2Y(TPH3)		405 015 8724	TR 2SC2812-L6-TB
D9014	407 223 1112	ZENER DIODE 02DZ6.2Y(TPH3)		405 015 8922	TR 2SC2812-L7-TB
D9021	407 190 4116	DIODE SFPL-52V		405 163 1612	TR 2SC2812N-L6-TB0
MISCELLANEOUS			INTEGRATED CIRCUIT		
K90A	645 040 6775	SOCKET,PWB 40P	IC3801	409 380 6313	IC HIN232CBZ
K90B	645 040 6775	SOCKET,PWB 40P		409 273 3531	IC SP232ACT-L
K90C	645 041 6064	PLUG,I/O 176P	IC3803	409 380 6313	IC HIN232CBZ
K90D	645 041 6064	PLUG,I/O 176P		409 273 3531	IC SP232ACT-L
K90E	645 041 6064	PLUG,I/O 176P	IC3804	409 438 5619	IC TC74ACT08FT
K90F	645 041 6064	PLUG,I/O 176P	CAPACITOR		
K90K	645 009 8390	PLUG,ANT 2P	C3851	403 398 6112	ELECT 1U M 50V
K90L	645 009 8390	PLUG,ANT 2P	C3852	403 398 6112	ELECT 1U M 50V
K90M	645 009 8390	PLUG,ANT 2P	C3853	403 398 6112	ELECT 1U M 50V
SENSOR BOARD			C3854	403 398 6112	ELECT 1U M 50V
SENSOR BOARD			C3855	403 283 6319	CERAMIC 1U Z 10V
SENSOR BOARD			C3856	403 391 5310	ELECT 47U M 6.3V
SENSOR BOARD			C3857AM	401 035 4118	MT-GLAZE 0.000 ZA 1/8W
SENSOR BOARD			C3858AM	401 035 4118	MT-GLAZE 0.000 ZA 1/8W
SENSOR BOARD			C3859	403 398 6112	ELECT 1U M 50V
SENSOR BOARD			C3861	403 398 6112	ELECT 1U M 50V
SENSOR BOARD			C3862	403 398 6112	ELECT 1U M 50V
SENSOR BOARD			C3863	403 398 6112	ELECT 1U M 50V
SENSOR BOARD			C3864	403 391 5310	ELECT 47U M 6.3V
SENSOR BOARD			C3865	403 283 6319	CERAMIC 1U Z 10V
SENSOR BOARD			C3866	403 391 5310	ELECT 47U M 6.3V
SENSOR BOARD			C3867	403 283 6319	CERAMIC 1U Z 10V
SENSOR BOARD			RESISTOR		
SENSOR BOARD			R3851	401 105 0415	MT-GLAZE 100 JA 1/16W
SENSOR BOARD			R3852	401 105 0415	MT-GLAZE 100 JA 1/16W
SENSOR BOARD			R3855	401 105 0415	MT-GLAZE 100 JA 1/16W
SENSOR BOARD			R3856	401 105 0613	MT-GLAZE 10K JA 1/16W
SENSOR BOARD			R3857	401 105 4017	MT-GLAZE 330 JA 1/16W
SENSOR BOARD			R3858	401 105 0415	MT-GLAZE 100 JA 1/16W
SENSOR BOARD			R3859	401 105 0415	MT-GLAZE 100 JA 1/16W
SENSOR BOARD			R3861	401 105 5519	MT-GLAZE 470K JA 1/16W
SENSOR BOARD			R3862	401 105 5519	MT-GLAZE 470K JA 1/16W
SENSOR BOARD			R3863	401 105 0415	MT-GLAZE 100 JA 1/16W
SENSOR BOARD			R3864	401 105 0415	MT-GLAZE 100 JA 1/16W
SENSOR BOARD			R3865	401 105 0415	MT-GLAZE 100 JA 1/16W
SENSOR BOARD			R3866	401 105 0415	MT-GLAZE 100 JA 1/16W
SENSOR BOARD			R3868	401 105 7919	MT-GLAZE 0.000 ZA 1/16W
SENSOR BOARD			R3869	401 105 7919	MT-GLAZE 0.000 ZA 1/16W
SENSOR BOARD			R3871	401 105 7919	MT-GLAZE 0.000 ZA 1/16W
SENSOR BOARD			R3872	401 105 7919	MT-GLAZE 0.000 ZA 1/16W
SENSOR BOARD			R3873	401 105 7919	MT-GLAZE 0.000 ZA 1/16W
SENSOR BOARD			R3874	401 105 7919	MT-GLAZE 0.000 ZA 1/16W
SENSOR BOARD			R3877	401 105 0415	MT-GLAZE 100 JA 1/16W
SENSOR BOARD			R3878	401 105 0415	MT-GLAZE 100 JA 1/16W
SENSOR BOARD			R3882	401 105 7919	MT-GLAZE 0.000 ZA 1/16W
SENSOR BOARD			R3883	401 105 7919	MT-GLAZE 0.000 ZA 1/16W
SENSOR BOARD			R3884	401 105 0415	MT-GLAZE 100 JA 1/16W
SENSOR BOARD			R3885	401 105 0415	MT-GLAZE 100 JA 1/16W
SENSOR BOARD			R3886	401 105 0613	MT-GLAZE 10K JA 1/16W
SENSOR BOARD			R3887	401 105 0613	MT-GLAZE 10K JA 1/16W
SENSOR BOARD			R3888	401 105 7919	MT-GLAZE 0.000 ZA 1/16W
SENSOR BOARD			R3890	401 105 7919	MT-GLAZE 0.000 ZA 1/16W
SENSOR BOARD			R3892	401 105 7919	MT-GLAZE 0.000 ZA 1/16W
SENSOR BOARD			R3894	401 105 7919	MT-GLAZE 0.000 ZA 1/16W
SENSOR BOARD			COIL		
SENSOR BOARD			L3851	645 014 2659	FILTER,EMI 10MHZ
SENSOR BOARD			L3852	645 014 2659	FILTER,EMI 10MHZ
SENSOR BOARD			L3853	645 014 2659	FILTER,EMI 10MHZ
SENSOR BOARD			L3854	645 014 2659	FILTER,EMI 10MHZ
SENSOR BOARD			L3855	645 014 2659	FILTER,EMI 10MHZ
SENSOR BOARD			L3856	645 014 2659	FILTER,EMI 10MHZ
SENSOR BOARD			L3857	645 062 2823	INDUCTOR,3.3U M
SENSOR BOARD			L3858	645 014 2659	FILTER,EMI 10MHZ
SENSOR BOARD			L3859	645 014 2659	FILTER,EMI 10MHZ
SENSOR BOARD			DIODE		
SENSOR BOARD			INTEGRATED CIRCUIT		
SENSOR BOARD			IC5801	409 481 8612	IC LM76CHMX-5
SENSOR BOARD			CAPACITOR		
SENSOR BOARD			C5801	403 164 0214	CERAMIC 0.1U Z 25V
SENSOR BOARD			C5802	403 391 5518	ELECT 10U M 16V
SENSOR BOARD			RESISTOR		
SENSOR BOARD			R5802	401 105 7919	MT-GLAZE 0.000 ZA 1/16W
SENSOR BOARD			R5803	401 105 0613	MT-GLAZE 10K JA 1/16W
SENSOR BOARD			R5805	401 105 0613	MT-GLAZE 10K JA 1/16W
SENSOR BOARD			R5807	401 105 0415	MT-GLAZE 100 JA 1/16W

Electrical Parts List

Key No.	Part No.	Description	Key No.	Part No.	Description
D3851	407 223 0511	ZENER DIODE 02DZ12Y(TPH3)	Q8101	405 014 4519	TR 2SC2412K T146 R
D3852	407 223 0511	ZENER DIODE 02DZ12Y(TPH3)		405 014 4618	TR 2SC2412K T146 S
D3853	407 223 0511	ZENER DIODE 02DZ12Y(TPH3)		405 015 8724	TR 2SC2812-L6-TB
D3854	407 223 0511	ZENER DIODE 02DZ12Y(TPH3)		405 015 8922	TR 2SC2812-L7-TB
D3855	407 223 0511	ZENER DIODE 02DZ12Y(TPH3)		405 163 1612	TR 2SC2812N-L6-TB0
D3856	407 223 0511	ZENER DIODE 02DZ12Y(TPH3)	Q8102	405 014 4519	TR 2SC2412K T146 R
D3857	407 223 0511	ZENER DIODE 02DZ12Y(TPH3)		405 014 4618	TR 2SC2412K T146 S
D3858	407 223 0511	ZENER DIODE 02DZ12Y(TPH3)		405 015 8724	TR 2SC2812-L6-TB
D3859	407 223 0511	ZENER DIODE 02DZ12Y(TPH3)		405 015 8922	TR 2SC2812-L7-TB
D3861	407 223 0511	ZENER DIODE 02DZ12Y(TPH3)		405 163 1612	TR 2SC2812N-L6-TB0
D3862	407 223 0511	ZENER DIODE 02DZ12Y(TPH3)	INTEGRATED CIRCUIT		
D3863	407 223 0511	ZENER DIODE 02DZ12Y(TPH3)	IC8015	409 462 2318	IC TC7S204FU-TE852
D3866	407 223 1112	ZENER DIODE 02DZ6.2Y(TPH3)	IC8016	409 462 2318	IC TC7S204FU-TE852
D3867	407 223 1112	ZENER DIODE 02DZ6.2Y(TPH3)	IC8017	409 462 2318	IC TC7S204FU-TE852
D3868	407 223 1112	ZENER DIODE 02DZ6.2Y(TPH3)	IC8020	410 391 2109	IC TC74VCX374FT(EL)
D3869	407 223 0511	ZENER DIODE 02DZ12Y(TPH3)	IC8021	409 484 2013	IC BA7078AF-E2
D3871	407 223 0511	ZENER DIODE 02DZ12Y(TPH3)	IC8031	410 343 7008	IC SN74AHCT1G14DBVR
D3872	407 223 0511	ZENER DIODE 02DZ12Y(TPH3)	IC8032	410 343 7008	IC SN74AHCT1G14DBVR
D3873	407 223 0511	ZENER DIODE 02DZ12Y(TPH3)	IC8033	410 343 7008	IC SN74AHCT1G14DBVR
D3874	407 223 1112	ZENER DIODE 02DZ6.2Y(TPH3)	IC8034	409 400 7115	IC TC7W53FU-(TE12L)
D3875	407 223 1112	ZENER DIODE 02DZ6.2Y(TPH3)	IC8035	409 400 7115	IC TC7W53FU-(TE12L)
D3876	407 223 0511	ZENER DIODE 02DZ12Y(TPH3)	IC8041	409 441 8416	IC LA7217M-T-TRM
D3877	407 223 0511	ZENER DIODE 02DZ12Y(TPH3)	IC8051	409 643 3912	IC QS3125QGX
D3878	407 223 0511	ZENER DIODE 02DZ12Y(TPH3)	IC8061	409 461 7314	IC AD8057ARTZ-REEL7
D3879	407 223 0511	ZENER DIODE 02DZ12Y(TPH3)	IC8062	409 461 7314	IC AD8057ARTZ-REEL7
D3881	407 223 0511	ZENER DIODE 02DZ12Y(TPH3)	IC8063	409 461 7314	IC AD8057ARTZ-REEL7
D3882	407 223 0511	ZENER DIODE 02DZ12Y(TPH3)	IC8064	410 343 7008	IC SN74AHCT1G14DBVR
D3883	407 223 0511	ZENER DIODE 02DZ12Y(TPH3)	IC8065	410 343 7008	IC SN74AHCT1G14DBVR
D3884	407 223 0511	ZENER DIODE 02DZ12Y(TPH3)	IC8071	410 401 7506	IC TC74VCX16374FT
D3886	407 223 0511	ZENER DIODE 02DZ12Y(TPH3)	IC8072	410 401 7506	IC TC74VCX16374FT
D3887	407 149 0817	DIODE 1SS355-TE-17	IC8073	410 401 7506	IC TC74VCX16374FT
MISCELLANEOUS			IC8141	409 380 6313	IC HIN232CBZ
IC3802	408 014 9703	PC CNY17F-3OPT1+6		409 273 3531	IC SP232ACT-L
	408 016 8803	PC PC113 (VDE0884)	IC8151	410 296 5700	IC TWM7000-151020
K38A	645 027 8778	PLUG,D-SUB 9P	IC8152	410 275 5806	IC TWM7000-162020
K38B	645 027 8778	PLUG,D-SUB 9P		410 275 5707	IC TWM7000-162020
K38C	645 028 0382	SOCKET,USB 4P	IC8161	409 152 5414	IC TC7S08F-TE85L
K38D	645 000 2571	JACK,PHONE D8.0	IC8171	409 395 5912	IC TC7SH00FU-(TE85L)
K38E	645 044 8263	JACK,RCA-2	IC8172	409 416 6515	IC BA05FP-E2
SW3801	645 042 8197	SWITCH,PUSH 1P-1TX1	IC8181	409 404 6322	IC M62320FP-DF5J
			IC8182	409 404 6322	IC M62320FP-DF5J
			IC8191	409 505 6112	IC MD1222N
			IC8193	409 487 5813	IC 24C01CT/SN
			IC8194	410 517 6806	IC TC74LVX4053FT
			IC8195	409 558 7210	IC 24C02CT-I/SNG
			IC8196	410 517 6806	IC TC74LVX4053FT
			IC8197	410 517 6806	IC TC74LVX4053FT
			IC8198	409 339 3615	IC 24LC16BT-I/SNG
			IC8199	409 672 9015	IC PCA9544APW
			CAPACITOR		
			C8001	403 397 5413	ELECT 470U M 4V
			C8002	403 164 0214	CERAMIC 0.1U Z 25V
			C8003	403 397 5413	ELECT 470U M 4V
			C8004	403 164 0214	CERAMIC 0.1U Z 25V
			C8005	403 157 3611	CERAMIC 100P J 50V
			C8006	403 157 3611	CERAMIC 100P J 50V
			C8007	403 157 3611	CERAMIC 100P J 50V
			C8008	403 157 3611	CERAMIC 100P J 50V
			C8009	403 164 0214	CERAMIC 0.1U Z 25V
			C8010	403 164 0214	CERAMIC 0.1U Z 25V
			C8011	403 397 5413	ELECT 470U M 4V
			C8012	403 157 3611	CERAMIC 100P J 50V
			C8013	403 397 5413	ELECT 470U M 4V
			C8014	403 164 0214	CERAMIC 0.1U Z 25V
			C8015	403 155 1510	CERAMIC 180P J 50V
			C8016	403 169 2817	CERAMIC 330P J 50V
			C8017	403 169 2817	CERAMIC 330P J 50V
			C8018	403 155 1510	CERAMIC 180P J 50V
			C8019	403 169 2817	CERAMIC 330P J 50V
			C8021	403 169 2817	CERAMIC 330P J 50V
			C8022	403 155 1510	CERAMIC 180P J 50V
			C8023	403 164 0214	CERAMIC 0.1U Z 25V
			C8024	403 397 5413	ELECT 470U M 4V
			C8025	403 169 2817	CERAMIC 330P J 50V
			C8026	403 397 8810	NP-ELECT 4.7U M 16V
			C8028	403 397 8919	NP-ELECT 0.1U M 50V
			C8029	403 398 6112	ELECT 1U M 50V
			C8030	403 164 0214	CERAMIC 0.1U Z 25V
Q8001	405 045 8725	TR 2SK536-TB			
Q8002	405 045 8725	TR 2SK536-TB			
Q8041	405 014 4519	TR 2SC2412K T146 R			
	405 014 4618	TR 2SC2412K T146 S			
	405 015 8724	TR 2SC2812-L6-TB			
	405 015 8922	TR 2SC2812-L7-TB			
	405 163 1612	TR 2SC2812N-L6-TB0			
Q8051	405 014 4519	TR 2SC2412K T146 R			
	405 014 4618	TR 2SC2412K T146 S			
	405 015 8724	TR 2SC2812-L6-TB			
	405 015 8922	TR 2SC2812-L7-TB			
	405 163 1612	TR 2SC2812N-L6-TB0			
Q8061	405 014 4519	TR 2SC2412K T146 R			
	405 014 4618	TR 2SC2412K T146 S			
	405 015 8724	TR 2SC2812-L6-TB			
	405 015 8922	TR 2SC2812-L7-TB			
	405 163 1612	TR 2SC2812N-L6-TB0			
Q8071	405 014 4519	TR 2SC2412K T146 R			
	405 014 4618	TR 2SC2412K T146 S			
	405 015 8724	TR 2SC2812-L6-TB			
	405 015 8922	TR 2SC2812-L7-TB			
	405 163 1612	TR 2SC2812N-L6-TB0			
Q8081	405 014 4519	TR 2SC2412K T146 R			
	405 014 4618	TR 2SC2412K T146 S			
	405 015 8724	TR 2SC2812-L6-TB			
	405 015 8922	TR 2SC2812-L7-TB			
	405 163 1612	TR 2SC2812N-L6-TB0			
Q8091	405 014 4519	TR 2SC2412K T146 R			
	405 014 4618	TR 2SC2412K T146 S			
	405 015 8724	TR 2SC2812-L6-TB			
	405 015 8922	TR 2SC2812-L7-TB			
	405 163 1612	TR 2SC2812N-L6-TB0			

Key No.	Part No.	Description	Key No.	Part No.	Description
C8032	403 397 9015	NP-ELECT 1.0U M 50V	R8003	401 256 1712	MT-GLAZE 33K JA 1/10W
C8033	403 398 6518	ELECT 2.2U M 50V	R8004	401 256 1712	MT-GLAZE 33K JA 1/10W
C8034	403 398 6112	ELECT 1U M 50V	R8005	401 256 1712	MT-GLAZE 33K JA 1/10W
C8035	403 157 3611	CERAMIC 100P J 50V	R8006	401 256 1712	MT-GLAZE 33K JA 1/10W
C8036	403 164 0214	CERAMIC 0.1U Z 25V	R8007	401 256 1712	MT-GLAZE 33K JA 1/10W
C8037	403 398 2114	ELECT 330U M 6.3V	R8009	401 150 6011	MT-GLAZE 0.000 ZA 1/10W
C8038	403 164 0214	CERAMIC 0.1U Z 25V	R8010	401 150 6011	MT-GLAZE 0.000 ZA 1/10W
C8041	403 397 8513	NP-ELECT 10U M 10V	R8011	401 255 6510	MT-GLAZE 100 JA 1/10W
C8043	403 164 0214	CERAMIC 0.1U Z 25V	R8012	401 255 8118	MT-GLAZE 5.1K JA 1/10W
C8044	403 397 9015	NP-ELECT 1.0U M 50V	R8013	401 150 6011	MT-GLAZE 0.000 ZA 1/10W
C8045	403 308 2111	CERAMIC 0.056U K 16V	R8014	401 256 5611	MT-GLAZE 47 JA 1/10W
C8046	403 215 2914	CERAMIC 0.022U K 25V	R8015	401 256 5611	MT-GLAZE 47 JA 1/10W
C8047	403 157 6919	CERAMIC 820P K 50V	R8017	401 256 5611	MT-GLAZE 47 JA 1/10W
C8048	403 215 2211	CERAMIC 0.01U K 50V	R8018	401 256 5611	MT-GLAZE 47 JA 1/10W
C8049	403 398 6112	ELECT 1U M 50V	R8021	401 150 6011	MT-GLAZE 0.000 ZA 1/10W
C8050	403 164 0214	CERAMIC 0.1U Z 25V	R8023	401 150 6011	MT-GLAZE 0.000 ZA 1/10W
C8052	403 164 0214	CERAMIC 0.1U Z 25V	R8024	401 150 6011	MT-GLAZE 0.000 ZA 1/10W
C8053	403 164 0214	CERAMIC 0.1U Z 25V	R8025	401 150 6011	MT-GLAZE 0.000 ZA 1/10W
C8061	403 164 0214	CERAMIC 0.1U Z 25V	R8026	401 150 5915	MT-GLAZE 10K JA 1/10W
C8063	403 164 0214	CERAMIC 0.1U Z 25V	R8028	401 255 6510	MT-GLAZE 100 JA 1/10W
C8064	403 157 1914	CERAMIC 10P D 50V	R8029	401 255 6015	MT-GLAZE 1M JA 1/10W
C8065	403 157 3116	CERAMIC 56P J 50V	R8030	401 150 6011	MT-GLAZE 0.000 ZA 1/10W
C8070	403 397 5413	ELECT 470U M 4V	R8031	401 256 7615	MT-GLAZE 3.9K JA 1/10W
C8072	403 157 1914	CERAMIC 10P D 50V	R8032	401 255 6510	MT-GLAZE 100 JA 1/10W
C8073	403 164 0214	CERAMIC 0.1U Z 25V	R8033	401 255 6510	MT-GLAZE 100 JA 1/10W
C8075	403 157 3116	CERAMIC 56P J 50V	R8034	401 255 6510	MT-GLAZE 100 JA 1/10W
C8076	403 164 0214	CERAMIC 0.1U Z 25V	R8035	401 255 6510	MT-GLAZE 100 JA 1/10W
C8077	403 164 0214	CERAMIC 0.1U Z 25V	R8036	401 255 6510	MT-GLAZE 100 JA 1/10W
C8079	403 164 0214	CERAMIC 0.1U Z 25V	R8037	401 255 6510	MT-GLAZE 100 JA 1/10W
C8082	403 157 1914	CERAMIC 10P D 50V	R8038	401 150 5915	MT-GLAZE 10K JA 1/10W
C8085	403 157 3116	CERAMIC 56P J 50V	R8039	401 255 6015	MT-GLAZE 1M JA 1/10W
C8086	403 164 0214	CERAMIC 0.1U Z 25V	R8041	401 255 6114	MT-GLAZE 20K JA 1/10W
C8088	403 164 0214	CERAMIC 0.1U Z 25V	R8042	401 150 6011	MT-GLAZE 0.000 ZA 1/10W
C8091	403 397 8513	NP-ELECT 10U M 10V	R8043	401 255 9719	MT-GLAZE 82K JA 1/10W
C8092	403 397 8513	NP-ELECT 10U M 10V	R8044	401 150 6219	MT-GLAZE 1K JA 1/10W
C8093	403 155 1510	CERAMIC 180P J 50V	R8045	401 256 3518	MT-GLAZE 150K JA 1/10W
C8094	403 146 0515	CERAMIC 1200P K 50V	R8046	401 255 6510	MT-GLAZE 100 JA 1/10W
C8101	403 391 5518	ELECT 10U M 16V	R8048	401 150 6011	MT-GLAZE 0.000 ZA 1/10W
C8102	403 391 5518	ELECT 10U M 16V	R8049	401 162 4012	MT-GLAZE 560 JA 1/10W
C8103	403 398 3814	ELECT 220U M 16V	R8050	401 256 7615	MT-GLAZE 3.9K JA 1/10W
C8104	403 164 0214	CERAMIC 0.1U Z 25V	R8051	401 150 6011	MT-GLAZE 0.000 ZA 1/10W
C8132	403 164 0214	CERAMIC 0.1U Z 25V	R8052	401 256 5611	MT-GLAZE 47 JA 1/10W
C8133	403 164 0214	CERAMIC 0.1U Z 25V	R8053	401 150 6011	MT-GLAZE 0.000 ZA 1/10W
C8141	403 391 5310	ELECT 47U M 6.3V	R8054	401 150 6011	MT-GLAZE 0.000 ZA 1/10W
C8142	403 398 6112	ELECT 1U M 50V	R8056	401 150 6011	MT-GLAZE 0.000 ZA 1/10W
C8143	403 398 6112	ELECT 1U M 50V	R8057	401 150 5915	MT-GLAZE 10K JA 1/10W
C8144	403 398 6112	ELECT 1U M 50V	R8058	401 256 1712	MT-GLAZE 33K JA 1/10W
C8145	403 398 6112	ELECT 1U M 50V	R8059	401 150 5915	MT-GLAZE 10K JA 1/10W
C8151	403 398 6112	ELECT 1U M 50V	R8060	401 150 5915	MT-GLAZE 10K JA 1/10W
C8152	403 164 0214	CERAMIC 0.1U Z 25V	R8061	401 256 2719	MT-GLAZE 75 JA 1/10W
C8153	403 398 2114	ELECT 330U M 6.3V	R8063	401 256 7516	MT-GLAZE 390 JA 1/10W
C8154	403 164 0214	CERAMIC 0.1U Z 25V	R8064	401 150 6219	MT-GLAZE 1K JA 1/10W
C8156	403 164 0214	CERAMIC 0.1U Z 25V	R8066	401 150 6011	MT-GLAZE 0.000 ZA 1/10W
C8157	403 391 5310	ELECT 47U M 6.3V	R8067	401 150 5915	MT-GLAZE 10K JA 1/10W
C8158	403 164 0214	CERAMIC 0.1U Z 25V	R8071	401 256 2719	MT-GLAZE 75 JA 1/10W
C8171	403 398 2114	ELECT 330U M 6.3V	R8073	401 256 7516	MT-GLAZE 390 JA 1/10W
C8172	403 164 0214	CERAMIC 0.1U Z 25V	R8075	401 150 6219	MT-GLAZE 1K JA 1/10W
C8175	403 164 0214	CERAMIC 0.1U Z 25V	R8076	401 150 6011	MT-GLAZE 0.000 ZA 1/10W
C8176	403 398 2114	ELECT 330U M 6.3V	R8077	401 150 5915	MT-GLAZE 10K JA 1/10W
C8177	403 164 0214	CERAMIC 0.1U Z 25V	R8078	401 150 5816	MT-GLAZE 100K JA 1/10W
C8178	403 398 2114	ELECT 330U M 6.3V	R8079	401 150 5816	MT-GLAZE 100K JA 1/10W
C8181	403 164 0214	CERAMIC 0.1U Z 25V	R8081	401 256 2719	MT-GLAZE 75 JA 1/10W
C8182	403 164 0214	CERAMIC 0.1U Z 25V	R8083	401 256 7516	MT-GLAZE 390 JA 1/10W
C8188	403 164 0214	CERAMIC 0.1U Z 25V	R8085	401 150 6219	MT-GLAZE 1K JA 1/10W
C8189	403 164 0214	CERAMIC 0.1U Z 25V	R8086	401 150 6011	MT-GLAZE 0.000 ZA 1/10W
C8190	403 164 0214	CERAMIC 0.1U Z 25V	R8087	401 150 5915	MT-GLAZE 10K JA 1/10W
C8191	403 205 2818	CERAMIC 0.047U K 25V	R8090	401 150 6011	MT-GLAZE 0.000 ZA 1/10W
C8192	403 113 3815	CERAMIC 1000P K 50V	R8091	401 150 6011	MT-GLAZE 0.000 ZA 1/10W
C8193	403 397 7417	ELECT 330U M 16V	R8092	401 150 6011	MT-GLAZE 0.000 ZA 1/10W
C8194	403 215 2211	CERAMIC 0.01U K 50V	R8093	401 150 6219	MT-GLAZE 1K JA 1/10W
C8195	403 397 7417	ELECT 330U M 16V	R8094	401 150 5915	MT-GLAZE 10K JA 1/10W
C8196	403 164 0214	CERAMIC 0.1U Z 25V	R8095	401 256 5611	MT-GLAZE 47 JA 1/10W
C8197	403 164 0214	CERAMIC 0.1U Z 25V	R8096	401 256 5611	MT-GLAZE 47 JA 1/10W
C8198	403 113 3815	CERAMIC 1000P K 50V	R8097	401 256 5611	MT-GLAZE 47 JA 1/10W
RESISTOR			R8098	401 150 6011	MT-GLAZE 0.000 ZA 1/10W
R8000	401 256 1712	MT-GLAZE 33K JA 1/10W	R8101	401 162 3817	MT-GLAZE 470K JA 1/10W
R8001	401 256 7516	MT-GLAZE 390 JA 1/10W	R8102	401 162 3817	MT-GLAZE 470K JA 1/10W
R8002	401 150 6011	MT-GLAZE 0.000 ZA 1/10W	R8103	401 255 6510	MT-GLAZE 100 JA 1/10W

Electrical Parts List

Key No.	Part No.	Description	Key No.	Part No.	Description
R8104	401 255 6510	MT-GLAZE 100 JA 1/10W		645 028 0696	R-NETWORK 100X4 1/32W
R8105	401 255 9511	MT-GLAZE 220K JA 1/10W	RB8004	645 029 5782	R-NETWORK 100X4 1/32W
R8106	401 255 9511	MT-GLAZE 220K JA 1/10W		645 028 0696	R-NETWORK 100X4 1/32W
R8107	401 255 9511	MT-GLAZE 220K JA 1/10W	RB8005	645 029 5782	R-NETWORK 100X4 1/32W
R8108	401 255 9511	MT-GLAZE 220K JA 1/10W		645 028 0696	R-NETWORK 100X4 1/32W
R8109	401 255 6510	MT-GLAZE 100 JA 1/10W	RB8006	645 029 5782	R-NETWORK 100X4 1/32W
R8111	401 150 6110	MT-GLAZE 2.2K JA 1/10W		645 028 0696	R-NETWORK 100X4 1/32W
R8112	401 255 6510	MT-GLAZE 100 JA 1/10W	RB8007	645 029 5782	R-NETWORK 100X4 1/32W
R8113	401 150 6110	MT-GLAZE 2.2K JA 1/10W		645 028 0696	R-NETWORK 100X4 1/32W
R8114	401 255 6510	MT-GLAZE 100 JA 1/10W	RB8008	645 029 5782	R-NETWORK 100X4 1/32W
R8115	401 255 6510	MT-GLAZE 100 JA 1/10W		645 028 0696	R-NETWORK 100X4 1/32W
R8117	401 256 1712	MT-GLAZE 33K JA 1/10W	RB8009	645 029 5782	R-NETWORK 100X4 1/32W
R8118	401 256 1712	MT-GLAZE 33K JA 1/10W		645 028 0696	R-NETWORK 100X4 1/32W
R8120	401 150 6011	MT-GLAZE 0.000 ZA 1/10W	RB8010	645 029 5782	R-NETWORK 100X4 1/32W
R8121	401 150 5915	MT-GLAZE 10K JA 1/10W		645 028 0696	R-NETWORK 100X4 1/32W
R8122	401 256 1712	MT-GLAZE 33K JA 1/10W	RB8011	645 029 5782	R-NETWORK 100X4 1/32W
R8129	401 150 5915	MT-GLAZE 10K JA 1/10W		645 028 0696	R-NETWORK 100X4 1/32W
R8131	401 150 5915	MT-GLAZE 10K JA 1/10W	RB8012	645 029 5782	R-NETWORK 100X4 1/32W
R8132	401 150 5915	MT-GLAZE 10K JA 1/10W		645 028 0696	R-NETWORK 100X4 1/32W
R8133	401 150 5915	MT-GLAZE 10K JA 1/10W	RB8013	645 029 5782	R-NETWORK 100X4 1/32W
R8134	401 150 6011	MT-GLAZE 0.000 ZA 1/10W		645 028 0696	R-NETWORK 100X4 1/32W
R8135	401 150 5915	MT-GLAZE 10K JA 1/10W	RB8014	645 029 5782	R-NETWORK 100X4 1/32W
R8136	401 150 5915	MT-GLAZE 10K JA 1/10W		645 028 0696	R-NETWORK 100X4 1/32W
R8138	401 150 5915	MT-GLAZE 10K JA 1/10W	RB8015	645 029 5782	R-NETWORK 100X4 1/32W
R8139	401 150 5915	MT-GLAZE 10K JA 1/10W		645 028 0696	R-NETWORK 100X4 1/32W
R8140	401 150 5915	MT-GLAZE 10K JA 1/10W	RB8016	645 029 5782	R-NETWORK 100X4 1/32W
R8141	401 150 5915	MT-GLAZE 10K JA 1/10W		645 028 0696	R-NETWORK 100X4 1/32W
R8143	401 150 6011	MT-GLAZE 0.000 ZA 1/10W	RB8021	645 029 5782	R-NETWORK 100X4 1/32W
R8144	401 150 6011	MT-GLAZE 0.000 ZA 1/10W		645 028 0696	R-NETWORK 100X4 1/32W
R8145	401 150 5915	MT-GLAZE 10K JA 1/10W	RB8022	645 029 5782	R-NETWORK 100X4 1/32W
R8146	401 150 5915	MT-GLAZE 10K JA 1/10W		645 028 0696	R-NETWORK 100X4 1/32W
R8147	401 150 5915	MT-GLAZE 10K JA 1/10W	RB8023	645 029 5782	R-NETWORK 100X4 1/32W
R8148	401 150 5915	MT-GLAZE 10K JA 1/10W		645 028 0696	R-NETWORK 100X4 1/32W
R8150	401 256 1712	MT-GLAZE 33K JA 1/10W	RB8024	645 029 5782	R-NETWORK 100X4 1/32W
R8151	401 150 5915	MT-GLAZE 10K JA 1/10W		645 028 0696	R-NETWORK 100X4 1/32W
R8152	401 150 5915	MT-GLAZE 10K JA 1/10W	RB8031	645 029 5782	R-NETWORK 100X4 1/32W
R8153	401 150 6011	MT-GLAZE 0.000 ZA 1/10W		645 028 0696	R-NETWORK 100X4 1/32W
R8154	401 150 6011	MT-GLAZE 0.000 ZA 1/10W	RB8032	645 029 5782	R-NETWORK 100X4 1/32W
R8155	401 150 6011	MT-GLAZE 0.000 ZA 1/10W		645 028 0696	R-NETWORK 100X4 1/32W
R8156	401 150 5915	MT-GLAZE 10K JA 1/10W	RB8033	645 029 5782	R-NETWORK 100X4 1/32W
R8157	401 150 5915	MT-GLAZE 10K JA 1/10W		645 028 0696	R-NETWORK 100X4 1/32W
R8158	401 255 6510	MT-GLAZE 100 JA 1/10W	RB8034	645 029 5782	R-NETWORK 100X4 1/32W
R8159	401 150 5915	MT-GLAZE 10K JA 1/10W		645 028 0696	R-NETWORK 100X4 1/32W
R8161	401 150 5915	MT-GLAZE 10K JA 1/10W	COIL		
R8162	401 035 4118	MT-GLAZE 0.000 ZA 1/8W	L8001	645 062 2823	INDUCTOR, 3.3U M
R8164	401 150 5915	MT-GLAZE 10K JA 1/10W	L8002	645 062 2823	INDUCTOR, 3.3U M
R8165	401 150 5915	MT-GLAZE 10K JA 1/10W	L8003	645 062 2823	INDUCTOR, 3.3U M
R8166	401 150 6011	MT-GLAZE 0.000 ZA 1/10W	L8101	645 014 2659	FILTER,EMI 10MHZ
R8167	401 150 6011	MT-GLAZE 0.000 ZA 1/10W	L8102	645 014 2659	FILTER,EMI 10MHZ
R8168	401 150 6011	MT-GLAZE 0.000 ZA 1/10W	L8121	645 014 2659	FILTER,EMI 10MHZ
R8169	401 150 5915	MT-GLAZE 10K JA 1/10W	L8122	645 014 2659	FILTER,EMI 10MHZ
R8171	401 150 6011	MT-GLAZE 0.000 ZA 1/10W	L8123	645 014 2659	FILTER,EMI 10MHZ
R8172	401 150 6011	MT-GLAZE 0.000 ZA 1/10W	L8124	645 014 2659	FILTER,EMI 10MHZ
R8173	401 150 6011	MT-GLAZE 0.000 ZA 1/10W	L8125	645 014 2659	FILTER,EMI 10MHZ
R8177	401 255 6510	MT-GLAZE 100 JA 1/10W	L8126	645 014 2659	FILTER,EMI 10MHZ
R8179	401 150 5915	MT-GLAZE 10K JA 1/10W	L8141	645 014 2659	FILTER,EMI 10MHZ
R8180	401 150 6219	MT-GLAZE 1K JA 1/10W	L8191	645 037 7396	INDUCTOR, 22U M
R8183	401 150 5915	MT-GLAZE 10K JA 1/10W	DIODE		
R8184	401 150 5915	MT-GLAZE 10K JA 1/10W	D8061	407 209 1211	ZD UDZS-TE-176.2B
R8185	401 150 6011	MT-GLAZE 0.000 ZA 1/10W	D8062	407 209 1211	ZD UDZS-TE-176.2B
R8187	401 265 5619	MT-GLAZE 820 FA 1/10W	D8071	407 209 1211	ZD UDZS-TE-176.2B
R8188	401 264 6518	MT-GLAZE 2.2K FA 1/10W	D8072	407 209 1211	ZD UDZS-TE-176.2B
R8189	401 150 5915	MT-GLAZE 10K JA 1/10W	D8081	407 209 1211	ZD UDZS-TE-176.2B
R8190	401 255 6510	MT-GLAZE 100 JA 1/10W	D8082	407 209 1211	ZD UDZS-TE-176.2B
R8191	401 255 6510	MT-GLAZE 100 JA 1/10W	D8091	407 223 1112	ZENER DIODE 02DZ6.2Y(TPH3)
R8192	401 150 5915	MT-GLAZE 10K JA 1/10W	D8092	407 223 1112	ZENER DIODE 02DZ6.2Y(TPH3)
R8193	401 150 5915	MT-GLAZE 10K JA 1/10W	D8093	407 223 1112	ZENER DIODE 02DZ6.2Y(TPH3)
R8194	401 290 1518	MT-GLAZE 0.1 JE 1/2W	D8094	407 223 1112	ZENER DIODE 02DZ6.2Y(TPH3)
R8195	401 150 6011	MT-GLAZE 0.000 ZA 1/10W	D8095	407 149 0817	DIODE 1SS355-TE-17
R8196	401 150 6011	MT-GLAZE 0.000 ZA 1/10W	D8096	407 149 0817	DIODE 1SS355-TE-17
R8197	401 255 6015	MT-GLAZE 1M JA 1/10W	D8101	407 223 0511	ZENER DIODE 02DZ12Y(TPH3)
R8198	401 150 5816	MT-GLAZE 100K JA 1/10W	D8102	407 223 0511	ZENER DIODE 02DZ12Y(TPH3)
R8199	401 150 5915	MT-GLAZE 10K JA 1/10W	D8103	407 223 0511	ZENER DIODE 02DZ12Y(TPH3)
RB8001	645 029 5782	R-NETWORK 100X4 1/32W	D8104	407 223 0511	ZENER DIODE 02DZ12Y(TPH3)
	645 028 0696	R-NETWORK 100X4 1/32W	D8121	407 223 0511	ZENER DIODE 02DZ12Y(TPH3)
RB8002	645 029 5782	R-NETWORK 100X4 1/32W	D8122	407 223 0511	ZENER DIODE 02DZ12Y(TPH3)
	645 028 0696	R-NETWORK 100X4 1/32W	D8123	407 223 0511	ZENER DIODE 02DZ12Y(TPH3)
RB8003	645 029 5782	R-NETWORK 100X4 1/32W	D8124	407 223 0511	ZENER DIODE 02DZ12Y(TPH3)

Key No.	Part No.	Description	Key No.	Part No.	Description
D8125	407 223 0511	ZENER DIODE 02DZ12Y(TPH3)		405 015 8922	TR 2SC2812-L7-TB
D8126	407 223 0511	ZENER DIODE 02DZ12Y(TPH3)		405 163 1612	TR 2SC2812N-L6-TB0
D8127	407 223 0511	ZENER DIODE 02DZ12Y(TPH3)	Q2302	405 014 4519	TR 2SC2412K T146 R
D8128	407 223 1112	ZENER DIODE 02DZ6.2Y(TPH3)		405 014 4618	TR 2SC2412K T146 S
D8129	407 223 0511	ZENER DIODE 02DZ12Y(TPH3)		405 015 8724	TR 2SC2812-L6-TB
D8141	407 223 0511	ZENER DIODE 02DZ12Y(TPH3)		405 015 8922	TR 2SC2812-L7-TB
D8142	407 223 0511	ZENER DIODE 02DZ12Y(TPH3)		405 163 1612	TR 2SC2812N-L6-TB0
D8175	407 149 0817	DIODE 1SS355-TE-17	Q2303	405 014 4519	TR 2SC2412K T146 R
D8176	407 149 0817	DIODE 1SS355-TE-17		405 014 4618	TR 2SC2412K T146 S
D8191	407 201 2721	DIODE RB051L-40-TE25		405 015 8724	TR 2SC2812-L6-TB
D8192	407 201 2721	DIODE RB051L-40-TE25		405 015 8922	TR 2SC2812-L7-TB
D8193	407 149 0817	DIODE 1SS355-TE-17		405 163 1612	TR 2SC2812N-L6-TB0
D8194	407 201 2721	DIODE RB051L-40-TE25	Q2501	405 158 9210	TR IMZ4-T108
D8195	407 223 1112	ZENER DIODE 02DZ6.2Y(TPH3)	Q2502	405 158 9210	TR IMZ4-T108
D8196	407 223 1112	ZENER DIODE 02DZ6.2Y(TPH3)	Q2531	405 158 9210	TR IMZ4-T108
D8197	407 223 1112	ZENER DIODE 02DZ6.2Y(TPH3)	Q2532	405 158 9210	TR IMZ4-T108
D8198	407 223 1112	ZENER DIODE 02DZ6.2Y(TPH3)	Q2561	405 158 9210	TR IMZ4-T108
			Q2562	405 158 9210	TR IMZ4-T108
			Q271	405 014 4519	TR 2SC2412K T146 R
MISCELLANEOUS				405 014 4618	TR 2SC2412K T146 S
K80A	645 076 2697	SOCKET,DVI 29P		405 015 8724	TR 2SC2812-L6-TB
K80H	645 041 6071	SOCKET,I/O 176P		405 015 8922	TR 2SC2812-L7-TB
K81A	645 040 9974	JACK,RCA-2		405 163 1612	TR 2SC2812N-L6-TB0
K81B	645 041 1076	SOCKET,DIN 8P	Q2801	405 014 4519	TR 2SC2412K T146 R
X8041	645 006 3459	OSC,CERAMIC 500.0KHZ		405 014 4618	TR 2SC2412K T146 S
X8151	645 021 1218	OSC,CERAMIC 8.00MHZ		405 015 8724	TR 2SC2812-L6-TB
	645 037 5187	OSC,CERAMIC 8.00MHZ		405 015 8922	TR 2SC2812-L7-TB
X8152	645 021 1218	OSC,CERAMIC 8.00MHZ		405 163 1612	TR 2SC2812N-L6-TB0
	645 037 5187	OSC,CERAMIC 8.00MHZ	Q2802	405 014 4519	TR 2SC2412K T146 R
				405 014 4618	TR 2SC2412K T146 S
				405 015 8724	TR 2SC2812-L6-TB
				405 015 8922	TR 2SC2812-L7-TB
				405 163 1612	TR 2SC2812N-L6-TB0
			Q3401	405 014 4519	TR 2SC2412K T146 R
				405 014 4618	TR 2SC2412K T146 S
				405 015 8724	TR 2SC2812-L6-TB
				405 015 8922	TR 2SC2812-L7-TB
				405 163 1612	TR 2SC2812N-L6-TB0
			Q3402	405 014 4519	TR 2SC2412K T146 R
				405 014 4618	TR 2SC2412K T146 S
				405 015 8724	TR 2SC2812-L6-TB
				405 015 8922	TR 2SC2812-L7-TB
				405 163 1612	TR 2SC2812N-L6-TB0
			Q401	405 045 8725	TR 2SK536-TB
			Q402	405 045 8725	TR 2SK536-TB
			Q403	405 014 4519	TR 2SC2412K T146 R
				405 014 4618	TR 2SC2412K T146 S
				405 015 8724	TR 2SC2812-L6-TB
				405 015 8922	TR 2SC2812-L7-TB
				405 163 1612	TR 2SC2812N-L6-TB0
			Q404	405 014 4519	TR 2SC2412K T146 R
				405 014 4618	TR 2SC2412K T146 S
				405 015 8724	TR 2SC2812-L6-TB
				405 015 8922	TR 2SC2812-L7-TB
				405 163 1612	TR 2SC2812N-L6-TB0
			Q4861	405 014 4519	TR 2SC2412K T146 R
				405 014 4618	TR 2SC2412K T146 S
				405 015 8724	TR 2SC2812-L6-TB
				405 015 8922	TR 2SC2812-L7-TB
				405 163 1612	TR 2SC2812N-L6-TB0
			Q4862	405 134 5925	TR 2SA1037AK-T146-R
				405 147 2215	TR 2SA1037AK-S-T146
				405 002 0318	TR 2SA1037K T146 R
				405 002 0417	TR 2SA1037K T146 S
				405 002 6726	TR 2SA1179-M6-TB
				405 002 6924	TR 2SA1179-M7-TB
				405 163 1513	TR 2SA1179N-M6-TB
			Q5630	405 206 9216	TR 2SK3817-DL-E
			Q5811	405 134 5925	TR 2SA1037AK-T146-R
				405 147 2215	TR 2SA1037AK-S-T146
				405 002 0318	TR 2SA1037K T146 R
				405 002 0417	TR 2SA1037K T146 S
				405 002 6726	TR 2SA1179-M6-TB
				405 002 6924	TR 2SA1179-M7-TB
				405 163 1513	TR 2SA1179N-M6-TB
			Q5841	405 014 4519	TR 2SC2412K T146 R
				405 014 4618	TR 2SC2412K T146 S
				405 015 8724	TR 2SC2812-L6-TB

MAIN BOARD



610 328 9625 ASSY,PWB,MAIN KF6B

TRANSISTOR

Q1831	405 014 4519	TR 2SC2412K T146 R	Q3401	405 014 4519	TR 2SC2412K T146 R
	405 014 4618	TR 2SC2412K T146 S		405 014 4618	TR 2SC2412K T146 S
	405 015 8724	TR 2SC2812-L6-TB		405 015 8724	TR 2SC2812-L6-TB
	405 015 8922	TR 2SC2812-L7-TB		405 015 8922	TR 2SC2812-L7-TB
	405 163 1612	TR 2SC2812N-L6-TB0		405 163 1612	TR 2SC2812N-L6-TB0
Q1832	405 014 4519	TR 2SC2412K T146 R	Q3402	405 014 4519	TR 2SC2412K T146 R
	405 014 4618	TR 2SC2412K T146 S		405 014 4618	TR 2SC2412K T146 S
	405 015 8724	TR 2SC2812-L6-TB		405 015 8724	TR 2SC2812-L6-TB
	405 015 8922	TR 2SC2812-L7-TB		405 015 8922	TR 2SC2812-L7-TB
	405 163 1612	TR 2SC2812N-L6-TB0		405 163 1612	TR 2SC2812N-L6-TB0
Q1833	405 014 4519	TR 2SC2412K T146 R	Q401	405 045 8725	TR 2SK536-TB
	405 014 4618	TR 2SC2412K T146 S	Q402	405 045 8725	TR 2SK536-TB
	405 015 8724	TR 2SC2812-L6-TB	Q403	405 014 4519	TR 2SC2412K T146 R
	405 015 8922	TR 2SC2812-L7-TB		405 014 4618	TR 2SC2412K T146 S
	405 163 1612	TR 2SC2812N-L6-TB0		405 015 8724	TR 2SC2812-L6-TB
Q1834	405 014 4519	TR 2SC2412K T146 R		405 015 8922	TR 2SC2812-L7-TB
	405 014 4618	TR 2SC2412K T146 S		405 163 1612	TR 2SC2812N-L6-TB0
	405 015 8724	TR 2SC2812-L6-TB	Q404	405 014 4519	TR 2SC2412K T146 R
	405 015 8922	TR 2SC2812-L7-TB		405 014 4618	TR 2SC2412K T146 S
	405 163 1612	TR 2SC2812N-L6-TB0		405 015 8724	TR 2SC2812-L6-TB
Q1871	405 167 6118	TR 2SD2226K-T146-V		405 015 8922	TR 2SC2812-L7-TB
Q1872	405 167 6118	TR 2SD2226K-T146-V		405 163 1612	TR 2SC2812N-L6-TB0
Q1873	405 014 4519	TR 2SC2412K T146 R	Q4861	405 014 4519	TR 2SC2412K T146 R
	405 014 4618	TR 2SC2412K T146 S		405 014 4618	TR 2SC2412K T146 S
	405 015 8724	TR 2SC2812-L6-TB		405 015 8724	TR 2SC2812-L6-TB
	405 015 8922	TR 2SC2812-L7-TB		405 015 8922	TR 2SC2812-L7-TB
	405 163 1612	TR 2SC2812N-L6-TB0		405 163 1612	TR 2SC2812N-L6-TB0
Q1881	405 014 4519	TR 2SC2412K T146 R	Q4862	405 134 5925	TR 2SA1037AK-T146-R
	405 014 4618	TR 2SC2412K T146 S		405 147 2215	TR 2SA1037AK-S-T146
	405 015 8724	TR 2SC2812-L6-TB		405 002 0318	TR 2SA1037K T146 R
	405 015 8922	TR 2SC2812-L7-TB		405 002 0417	TR 2SA1037K T146 S
	405 163 1612	TR 2SC2812N-L6-TB0		405 002 6726	TR 2SA1179-M6-TB
Q201	405 014 4519	TR 2SC2412K T146 R		405 002 6924	TR 2SA1179-M7-TB
	405 014 4618	TR 2SC2412K T146 S		405 163 1513	TR 2SA1179N-M6-TB
	405 015 8724	TR 2SC2812-L6-TB	Q5630	405 206 9216	TR 2SK3817-DL-E
	405 015 8922	TR 2SC2812-L7-TB	Q5811	405 134 5925	TR 2SA1037AK-T146-R
	405 163 1612	TR 2SC2812N-L6-TB0		405 147 2215	TR 2SA1037AK-S-T146
Q211	405 014 4519	TR 2SC2412K T146 R		405 002 0318	TR 2SA1037K T146 R
	405 014 4618	TR 2SC2412K T146 S		405 002 0417	TR 2SA1037K T146 S
	405 015 8724	TR 2SC2812-L6-TB		405 002 6726	TR 2SA1179-M6-TB
	405 015 8922	TR 2SC2812-L7-TB		405 002 6924	TR 2SA1179-M7-TB
	405 163 1612	TR 2SC2812N-L6-TB0		405 163 1513	TR 2SA1179N-M6-TB
Q221	405 014 4519	TR 2SC2412K T146 R	Q5841	405 014 4519	TR 2SC2412K T146 R
	405 014 4618	TR 2SC2412K T146 S		405 014 4618	TR 2SC2412K T146 S
	405 015 8724	TR 2SC2812-L6-TB		405 015 8724	TR 2SC2812-L6-TB

Electrical Parts List

Key No.	Part No.	Description	Key No.	Part No.	Description
Q5851	405 015 8922	TR 2SC2812-L7-TB	IC1801	409 605 4612	IC M66501FP-RB0Q
	405 163 1612	TR 2SC2812N-L6-TB0	IC1811	409 339 3615	IC 24LC16BT-I/SNG
	405 014 4519	TR 2SC2412K T146 R	IC1812	409 428 8425	IC TC7WT125FU-TE12L
	405 014 4618	TR 2SC2412K T146 S	IC1821	410 364 6905	IC TC74ACT138FT-EL
	405 015 8724	TR 2SC2812-L6-TB	IC1822	410 367 1402	IC SN74LVC374APW
Q5876	405 015 8922	TR 2SC2812-L7-TB	IC1823	409 510 2413	IC TC74AC139FT
	405 163 1612	TR 2SC2812N-L6-TB0	IC1824	409 301 5319	IC TC7S32FU-TE85L
	405 014 4519	TR 2SC2412K T146 R	IC1871	409 390 6221	IC EL2244CS
	405 014 4618	TR 2SC2412K T146 S	IC1881	410 315 5506	IC HD74HCT244TV
	405 015 8724	TR 2SC2812-L6-TB		410 356 7507	IC SN74HCT244PWR
Q7805	405 015 8922	TR 2SC2812-L7-TB	IC201	409 461 7314	IC AD8057ARTZ-REEL7
	405 163 1612	TR 2SC2812N-L6-TB0	IC211	409 461 7314	IC AD8057ARTZ-REEL7
	405 014 4519	TR 2SC2412K T146 R	IC2201	410 494 2402	IC AD9888KSZ-170-308
	405 014 4618	TR 2SC2412K T146 S	IC221	409 461 7314	IC AD8057ARTZ-REEL7
	405 015 8724	TR 2SC2812-L6-TB	IC2251	409 416 6416	IC BA033FP-E2
Q7806	405 015 8922	TR 2SC2812-L7-TB		409 410 1011	IC UPC2933T-E1
	405 163 1612	TR 2SC2812N-L6-TB0	IC2261	409 490 8016	IC CXA2151Q
	405 014 4519	TR 2SC2412K T146 R	IC2291	409 416 6515	IC BA05FP-E2
	405 014 4618	TR 2SC2412K T146 S	IC2301	410 413 0700	IC XC2S200-5FGG256C
	405 015 8724	TR 2SC2812-L6-TB	IC2302	409 534 1713	IC SI-3025LSA-TL
Q7807	405 015 8922	TR 2SC2812-L7-TB	IC2521	409 394 9317	IC TC7SH14FU(TE85L)
	405 163 1612	TR 2SC2812N-L6-TB0	IC2522	409 461 7829	IC PQ20WZ11
	405 014 4519	TR 2SC2412K T146 R	IC2523	409 461 7829	IC PQ20WZ11
	405 014 4618	TR 2SC2412K T146 S	IC2541	409 481 8612	IC LM76CHMX-5
	405 015 8724	TR 2SC2812-L6-TB	IC2581	409 394 9317	IC TC7SH14FU(TE85L)
Q7821	405 015 8922	TR 2SC2812-L7-TB	IC2591	409 394 9317	IC TC7SH14FU(TE85L)
	405 163 1612	TR 2SC2812N-L6-TB0	IC2801	409 359 1110	IC TC7W240FU-TE12L
	405 014 4519	TR 2SC2412K T146 R	IC281	409 357 6622	IC LT1260CS
	405 014 4618	TR 2SC2412K T146 S	IC282	409 397 3015	IC TC7SET04FU-(TE85L)
	405 015 8724	TR 2SC2812-L6-TB	IC301	409 502 4913	IC PW365-20UL
Q7836	405 015 8922	TR 2SC2812-L7-TB	IC3401	409 523 7016	IC PQ05VY3H3ZP
	405 163 1612	TR 2SC2812N-L6-TB0	IC3402	409 495 2514	IC SP3232ECY/TR
	405 014 4519	TR 2SC2412K T146 R	IC3411	410 402 6300	IC XMS56V16160F-8TS-K
	405 014 4618	TR 2SC2412K T146 S	IC401	409 545 7315	IC CXD3531R
	405 015 8724	TR 2SC2812-L6-TB	IC4201	410 426 8106	IC TC240C4FTB-C006(O)
Q7837	405 015 8922	TR 2SC2812-L7-TB	IC4231	409 444 8710	IC ICS1523MLFT
	405 163 1612	TR 2SC2812N-L6-TB0	IC4251	409 534 1713	IC SI-3025LSA-TL
	405 014 4519	TR 2SC2412K T146 R	IC4252	410 351 4808	IC LT1587CM-3.3
	405 014 4618	TR 2SC2412K T146 S	IC4261	410 401 7506	IC TC74VCX16374FT
	405 015 8724	TR 2SC2812-L6-TB	IC4271	410 401 7506	IC TC74VCX16374FT
Q7841	405 015 8922	TR 2SC2812-L7-TB	IC4281	410 401 7506	IC TC74VCX16374FT
	405 163 1612	TR 2SC2812N-L6-TB0	IC4291	410 401 7407	IC TC74VCX244FT
	405 014 4519	TR 2SC2412K T146 R	IC4293	409 573 5720	IC TC7PA04FU(TE85L)
	405 014 4618	TR 2SC2412K T146 S	IC4401	410 562 5007	IC EP1S25F672C8N
	405 015 8724	TR 2SC2812-L6-TB	IC4811	410 325 4605	IC TC74LCX244FT
Q7861	405 015 8922	TR 2SC2812-L7-TB		410 325 4704	IC HD74LVC244AT
	405 163 1612	TR 2SC2812N-L6-TB0	IC4831	410 325 4605	IC TC74LCX244FT
	405 014 4519	TR 2SC2412K T146 R		410 325 4704	IC HD74LVC244AT
	405 014 4618	TR 2SC2412K T146 S	IC4832	410 325 4605	IC TC74LCX244FT
	405 015 8724	TR 2SC2812-L6-TB		410 325 4704	IC HD74LVC244AT
Q7881	405 015 8922	TR 2SC2812-L7-TB	IC4833	409 458 2315	IC TC7SZ32FU-TE85L
	405 163 1612	TR 2SC2812N-L6-TB0	IC4841	410 362 6600	IC TC74ACT541FT
	405 014 4519	TR 2SC2412K T146 R	IC4842	410 362 6600	IC TC74ACT541FT
	405 014 4618	TR 2SC2412K T146 S	IC4843	410 362 6600	IC TC74ACT541FT
	405 015 8724	TR 2SC2812-L6-TB	IC4844	410 362 6600	IC TC74ACT541FT
Q9801	405 015 8922	TR 2SC2812-L7-TB	IC4845	410 362 6501	IC TC74LCX541FT
	405 163 1612	TR 2SC2812N-L6-TB0	IC4846	410 362 6501	IC TC74LCX541FT
	405 134 5925	TR 2SA1037AK-T146-R	IC4847	410 362 6501	IC TC74LCX541FT
	405 147 2215	TR 2SA1037AK-S-T146	IC4851	409 330 2518	IC TC7SH04FU-(TE85L)
	405 002 0318	TR 2SA1037K T146 R	IC4855	410 356 7903	IC SN74AHC1G08HDCK3
INTEGRATED CIRCUIT	405 002 0417	TR 2SA1037K T146 S	IC4861	409 416 6515	IC BA05FP-E2
	405 002 6726	TR 2SA1179-M6-TB	IC4871	410 325 4605	IC TC74LCX244FT
	405 002 6924	TR 2SA1179-M7-TB		410 325 4704	IC HD74LVC244AT
	405 163 1513	TR 2SA1179N-M6-TB	IC4881	410 325 4605	IC TC74LCX244FT
	409 301 5319	IC TC7S32FU-TE85L		410 325 4704	IC HD74LVC244AT
	409 339 3615	IC 24LC16BT-I/SNG	IC5641	409 461 7829	IC PQ20WZ11
	409 501 9117	IC ICS512MLFT	IC5651	409 461 7829	IC PQ20WZ11
	409 501 9117	IC ICS512MLFT	IC5832	409 394 9317	IC TC7SH14FU(TE85L)
	410 607 6501	IC S29AL008D70TFI01-0714	IC5833	409 394 9317	IC TC7SH14FU(TE85L)
	410 530 3707	IC IC61LV6416-15TG	IC6314	410 457 4207	IC EM638325TS-6
410 321 8300	IC TC74VCX16244FT	IC6316	410 457 4207	IC EM638325TS-6	
410 321 8300	IC TC74VCX16244FT	IC6317	410 457 4207	IC EM638325TS-6	
409 534 1713	IC SI-3025LSA-TL	IC6318	410 457 4207	IC EM638325TS-6	
409 539 8915	IC PQ033EZ01ZP	IC6741	410 365 5600	IC SN74LVCC4245APWR	
410 386 1902	IC TC74VCX125FT	IC6742	410 365 5600	IC SN74LVCC4245APWR	
409 489 1810	IC PQ018EZ01ZP	IC6743	409 458 2315	IC TC7SZ32FU-TE85L	
410 386 1902	IC TC74VCX125FT	IC6751	409 428 8425	IC TC7WT125FU-TE12L	
		IC6752	410 362 6600	IC TC74ACT541FT	

Key No.	Part No.	Description	Key No.	Part No.	Description
IC7801	409 428 9610	IC M62399FP-DF0Q	C1538	403 164 0234	CERAMIC 0.1U Z 25V
IC7821	409 461 7829	IC PQ20WZ11	C1539	403 164 0234	CERAMIC 0.1U Z 25V
IC7841	409 461 7829	IC PQ20WZ11	C1541	403 164 0234	CERAMIC 0.1U Z 25V
IC7861	409 461 7829	IC PQ20WZ11	C1542	403 398 4118	ELECT 47U M 16V
IC7881	409 461 7829	IC PQ20WZ11	C1561	403 398 4118	ELECT 47U M 16V
IC801	410 607 6402	IC HD64F7045F28-0716	C1562	403 164 0234	CERAMIC 0.1U Z 25V
	410 612 6602	IC HD64F7045F28-0716-S	C1563	403 398 4118	ELECT 47U M 16V
IC802	409 344 1920	IC MN1382-Q-TX	C1564	403 164 0234	CERAMIC 0.1U Z 25V
IC803	409 301 5517	IC TC7S08FU(TE85L)	C1566	403 164 0234	CERAMIC 0.1U Z 25V
IC8201	410 321 8300	IC TC74VCX16244FT	C1567	403 164 0234	CERAMIC 0.1U Z 25V
IC8211	410 321 8300	IC TC74VCX16244FT	C1568	403 164 0234	CERAMIC 0.1U Z 25V
IC8221	410 321 8300	IC TC74VCX16244FT	C1801	403 164 0234	CERAMIC 0.1U Z 25V
IC8251	410 401 7407	IC TC74VCX244FT	C1802	403 164 0234	CERAMIC 0.1U Z 25V
IC8252	409 330 2518	IC TC7SH04FU-(TE85L)	C1803	403 164 0234	CERAMIC 0.1U Z 25V
IC8253	409 439 8916	IC TC7WH125FU	C1804	403 398 2114	ELECT 330U M 6.3V
IC8254	409 330 2518	IC TC7SH04FU-(TE85L)	C1811	403 164 0234	CERAMIC 0.1U Z 25V
IC8261	410 337 0602	IC HD74LVC14T	C1812	403 164 0234	CERAMIC 0.1U Z 25V
IC8271	409 522 7512	IC TC7SA08FU	C1821	403 164 0234	CERAMIC 0.1U Z 25V
IC871	410 618 8402	IC S29AL016D70TFI02-0715A	C1822	403 164 0234	CERAMIC 0.1U Z 25V
IC872	410 365 5600	IC SN74LVCC4245APWR	C1823	403 164 0234	CERAMIC 0.1U Z 25V
IC873	410 365 5600	IC SN74LVCC4245APWR	C1824	403 164 0234	CERAMIC 0.1U Z 25V
IC874	410 325 4605	IC TC74LCX244FT	C1851	403 397 8810	NP-ELECT 4.7U M 16V
	410 325 4704	IC HD74LVC244AT	C1867	403 397 8810	NP-ELECT 4.7U M 16V
IC875	410 325 4605	IC TC74LCX244FT	C1871	403 157 1914	CERAMIC 10P D 50V
	410 325 4704	IC HD74LVC244AT	C1872	403 348 5823	CERAMIC 0.47U K 10V
IC876	410 325 4605	IC TC74LCX244FT	C1873	403 157 1914	CERAMIC 10P D 50V
	410 325 4704	IC HD74LVC244AT	C1874	403 391 5518	ELECT 10U M 16V
IC887	409 461 7314	IC AD8057ARTZ-REEL7	C1876	403 391 5518	ELECT 10U M 16V
IC892	410 415 5208	IC M5M51008DFP-70HI	C1881	403 164 0234	CERAMIC 0.1U Z 25V
IC893	409 487 5724	IC TC7SZ125FU	C1890	403 164 0234	CERAMIC 0.1U Z 25V
IC9801	409 521 4512	IC ML60851DTB	C1891	403 164 0234	CERAMIC 0.1U Z 25V
IC9802	409 394 9317	IC TC7SH14FU(TE85L)	C1892	403 164 0234	CERAMIC 0.1U Z 25V
IC9821	409 394 9317	IC TC7SH14FU(TE85L)	C1893	403 283 6339	CERAMIC 1U Z 10V
CAPACITOR			C1894	403 283 6339	CERAMIC 1U Z 10V
C1311	403 397 5413	ELECT 470U M 4V	C1895	403 283 6339	CERAMIC 1U Z 10V
C1312	403 164 0234	CERAMIC 0.1U Z 25V	C202	403 164 0234	CERAMIC 0.1U Z 25V
C1313	403 164 0234	CERAMIC 0.1U Z 25V	C205	403 157 1914	CERAMIC 10P D 50V
C1331	403 157 6612	CERAMIC 470P K 50V	C206	403 164 0234	CERAMIC 0.1U Z 25V
C1332	403 149 9248	CERAMIC 0.01U Z 50V	C207	403 397 8414	NP-ELECT 47U M 6.3V
C1341	403 157 6612	CERAMIC 470P K 50V	C211	403 157 1914	CERAMIC 10P D 50V
C1342	403 149 9248	CERAMIC 0.01U Z 50V	C214	403 157 1716	CERAMIC 8P D 50V
C1351	403 397 5413	ELECT 470U M 4V	C215	403 157 1716	CERAMIC 8P D 50V
C1352	403 164 0234	CERAMIC 0.1U Z 25V	C216	403 157 1716	CERAMIC 8P D 50V
C1354	403 164 0234	CERAMIC 0.1U Z 25V	C217	403 397 8414	NP-ELECT 47U M 6.3V
C1356	403 397 5413	ELECT 470U M 4V	C2201	403 397 5413	ELECT 470U M 4V
C1357	403 164 0234	CERAMIC 0.1U Z 25V	C2202	403 164 0234	CERAMIC 0.1U Z 25V
C1358	403 164 0234	CERAMIC 0.1U Z 25V	C2203	403 164 0234	CERAMIC 0.1U Z 25V
C1359	403 164 0234	CERAMIC 0.1U Z 25V	C2204	401 162 2216	MT-GLAZE 10 JA 1/10W
C1361	403 164 0234	CERAMIC 0.1U Z 25V	C2205	403 283 6339	CERAMIC 1U Z 10V
C1362	403 398 2510	ELECT 100U M 10V	C2206	403 164 0234	CERAMIC 0.1U Z 25V
C1363	403 164 0234	CERAMIC 0.1U Z 25V	C2207	403 164 0234	CERAMIC 0.1U Z 25V
C1364	403 391 5815	ELECT 100U M 6.3V	C2208	403 283 6339	CERAMIC 1U Z 10V
C1365	403 397 5413	ELECT 470U M 4V	C2209	403 164 0234	CERAMIC 0.1U Z 25V
C1366	403 283 6339	CERAMIC 1U Z 10V	C221	403 157 1914	CERAMIC 10P D 50V
C1367	403 397 5413	ELECT 470U M 4V	C2211	401 162 2216	MT-GLAZE 10 JA 1/10W
C1368	403 164 0234	CERAMIC 0.1U Z 25V	C2212	403 283 6339	CERAMIC 1U Z 10V
C1369	403 283 6339	CERAMIC 1U Z 10V	C2213	403 164 0234	CERAMIC 0.1U Z 25V
C1372	403 164 0234	CERAMIC 0.1U Z 25V	C2214	403 164 0234	CERAMIC 0.1U Z 25V
C1376	403 164 0234	CERAMIC 0.1U Z 25V	C2215	403 283 6339	CERAMIC 1U Z 10V
C1377	403 164 0234	CERAMIC 0.1U Z 25V	C2216	401 162 2216	MT-GLAZE 10 JA 1/10W
C1378	403 164 0234	CERAMIC 0.1U Z 25V	C2217	403 283 6339	CERAMIC 1U Z 10V
C1379	403 164 0234	CERAMIC 0.1U Z 25V	C2218	403 164 0234	CERAMIC 0.1U Z 25V
C1381	403 164 0234	CERAMIC 0.1U Z 25V	C2219	403 283 6339	CERAMIC 1U Z 10V
C1382	403 164 0234	CERAMIC 0.1U Z 25V	C2221	403 283 6339	CERAMIC 1U Z 10V
C1411	403 164 0234	CERAMIC 0.1U Z 25V	C2222	403 283 6339	CERAMIC 1U Z 10V
C1431	403 164 0234	CERAMIC 0.1U Z 25V	C2223	403 283 6339	CERAMIC 1U Z 10V
C1501	403 398 4118	ELECT 47U M 16V	C2224	403 283 6339	CERAMIC 1U Z 10V
C1502	403 164 0234	CERAMIC 0.1U Z 25V	C2225	403 283 6339	CERAMIC 1U Z 10V
C1503	403 398 4118	ELECT 47U M 16V	C2226	403 157 7213	CERAMIC 3900P K 50V
C1504	403 164 0234	CERAMIC 0.1U Z 25V	C2227	403 306 5411	CERAMIC 0.039U K 16V
C1506	403 164 0234	CERAMIC 0.1U Z 25V	C2228	403 283 6339	CERAMIC 1U Z 10V
C1507	403 164 0234	CERAMIC 0.1U Z 25V	C2229	403 283 6339	CERAMIC 1U Z 10V
C1508	403 164 0234	CERAMIC 0.1U Z 25V	C2231	403 283 6339	CERAMIC 1U Z 10V
C1531	403 164 0234	CERAMIC 0.1U Z 25V	C2232	403 283 6339	CERAMIC 1U Z 10V
C1532	403 398 4118	ELECT 47U M 16V	C2233	403 283 6339	CERAMIC 1U Z 10V
C1534	403 164 0234	CERAMIC 0.1U Z 25V	C2234	403 283 6339	CERAMIC 1U Z 10V
C1536	403 164 0234	CERAMIC 0.1U Z 25V	C2235	403 283 6339	CERAMIC 1U Z 10V
C1537	403 398 4118	ELECT 47U M 16V	C2236	403 283 6339	CERAMIC 1U Z 10V

Electrical Parts List

Key No.	Part No.	Description	Key No.	Part No.	Description
C2237	403 283 6339	CERAMIC 1U Z 10V	C2563	403 157 3611	CERAMIC 100P J 50V
C2238	403 157 6612	CERAMIC 470P K 50V	C2581	403 164 0234	CERAMIC 0.1U Z 25V
C2251	403 164 0234	CERAMIC 0.1U Z 25V	C2582	403 391 5112	ELECT 100U M 16V
C2252	403 164 0234	CERAMIC 0.1U Z 25V	C2583	403 164 0234	CERAMIC 0.1U Z 25V
C2253	403 394 1319	ELECT 100U M 6.3V	C2584	403 391 5112	ELECT 100U M 16V
C2254	403 164 0234	CERAMIC 0.1U Z 25V	C2586	403 164 0234	CERAMIC 0.1U Z 25V
C2255	403 394 1319	ELECT 100U M 6.3V	C2587	403 164 0234	CERAMIC 0.1U Z 25V
C2256	403 164 0234	CERAMIC 0.1U Z 25V	C2588	403 397 6212	ELECT 10U M 16V
C2257	403 394 1319	ELECT 100U M 6.3V	C2589	403 164 0234	CERAMIC 0.1U Z 25V
C2260	403 348 5823	CERAMIC 0.47U K 10V	C2591	403 397 6212	ELECT 10U M 16V
C2262	403 348 5823	CERAMIC 0.47U K 10V	C2592	403 164 0234	CERAMIC 0.1U Z 25V
C2263	403 164 0234	CERAMIC 0.1U Z 25V	C2593	403 164 0234	CERAMIC 0.1U Z 25V
C2264	403 394 1319	ELECT 100U M 6.3V	C2594	403 164 0234	CERAMIC 0.1U Z 25V
C2265	403 348 5823	CERAMIC 0.47U K 10V	C2596	403 397 6212	ELECT 10U M 16V
C2266	403 348 5823	CERAMIC 0.47U K 10V	C2597	403 164 0234	CERAMIC 0.1U Z 25V
C2267	403 348 5823	CERAMIC 0.47U K 10V	C2598	403 397 6212	ELECT 10U M 16V
C2268	403 348 5823	CERAMIC 0.47U K 10V	C2599	403 164 0234	CERAMIC 0.1U Z 25V
C2269	403 348 5823	CERAMIC 0.47U K 10V	C2801	403 164 0234	CERAMIC 0.1U Z 25V
C227	403 397 8414	NP-ELECT 47U M 6.3V	C281	403 164 0234	CERAMIC 0.1U Z 25V
C2271	403 348 5823	CERAMIC 0.47U K 10V	C282	403 164 0234	CERAMIC 0.1U Z 25V
C2272	403 348 5823	CERAMIC 0.47U K 10V	C283	403 391 5310	ELECT 47U M 6.3V
C2273	403 348 5823	CERAMIC 0.47U K 10V	C284	403 164 0234	CERAMIC 0.1U Z 25V
C2274	403 348 5823	CERAMIC 0.47U K 10V	C285	403 164 0234	CERAMIC 0.1U Z 25V
C2275	403 348 5823	CERAMIC 0.47U K 10V	C286	403 391 5310	ELECT 47U M 6.3V
C2276	403 348 5823	CERAMIC 0.47U K 10V	C287	403 164 0234	CERAMIC 0.1U Z 25V
C2277	403 348 5823	CERAMIC 0.47U K 10V	C288	403 391 5310	ELECT 47U M 6.3V
C2278	403 348 5823	CERAMIC 0.47U K 10V	C295	403 164 0234	CERAMIC 0.1U Z 25V
C2279	403 348 5823	CERAMIC 0.47U K 10V	C311	403 397 5413	ELECT 470U M 4V
C2281	403 348 5823	CERAMIC 0.47U K 10V	C312	403 164 0234	CERAMIC 0.1U Z 25V
C2282	403 164 0234	CERAMIC 0.1U Z 25V	C313	403 397 5413	ELECT 470U M 4V
C2284	403 348 5823	CERAMIC 0.47U K 10V	C314	403 164 0234	CERAMIC 0.1U Z 25V
C2285	403 348 5823	CERAMIC 0.47U K 10V	C315	403 164 0234	CERAMIC 0.1U Z 25V
C2286	403 348 5823	CERAMIC 0.47U K 10V	C316	403 164 0234	CERAMIC 0.1U Z 25V
C2287	403 155 4214	CERAMIC 15P J 50V	C317	403 164 0234	CERAMIC 0.1U Z 25V
C2288	403 348 5823	CERAMIC 0.47U K 10V	C318	403 164 0234	CERAMIC 0.1U Z 25V
C2289	403 215 2211	CERAMIC 0.01U K 50V	C319	403 164 0234	CERAMIC 0.1U Z 25V
C2290	403 298 9619	CERAMIC 0.1U K 16V	C321	403 164 0234	CERAMIC 0.1U Z 25V
C2291	403 394 1319	ELECT 100U M 6.3V	C322	403 164 0234	CERAMIC 0.1U Z 25V
C2292	403 164 0234	CERAMIC 0.1U Z 25V	C323	403 164 0234	CERAMIC 0.1U Z 25V
C2301	403 164 0234	CERAMIC 0.1U Z 25V	C324	403 164 0234	CERAMIC 0.1U Z 25V
C2302	403 164 0234	CERAMIC 0.1U Z 25V	C326	403 164 0234	CERAMIC 0.1U Z 25V
C2303	403 164 0234	CERAMIC 0.1U Z 25V	C3262	403 164 0234	CERAMIC 0.1U Z 25V
C2304	403 164 0234	CERAMIC 0.1U Z 25V	C327	403 164 0234	CERAMIC 0.1U Z 25V
C2305	403 164 0234	CERAMIC 0.1U Z 25V	C328	403 164 0234	CERAMIC 0.1U Z 25V
C2306	403 164 0234	CERAMIC 0.1U Z 25V	C329	403 164 0234	CERAMIC 0.1U Z 25V
C2307	403 164 0234	CERAMIC 0.1U Z 25V	C331	403 164 0234	CERAMIC 0.1U Z 25V
C2308	403 164 0234	CERAMIC 0.1U Z 25V	C332	403 164 0234	CERAMIC 0.1U Z 25V
C2310	403 139 7712	CERAMIC 7P D 50V	C333	403 164 0234	CERAMIC 0.1U Z 25V
C2311	403 164 0234	CERAMIC 0.1U Z 25V	C334	403 164 0234	CERAMIC 0.1U Z 25V
C2312	403 397 5413	ELECT 470U M 4V	C336	403 164 0234	CERAMIC 0.1U Z 25V
C2313	403 397 5413	ELECT 470U M 4V	C337	403 164 0234	CERAMIC 0.1U Z 25V
C2315	403 397 5413	ELECT 470U M 4V	C338	403 164 0234	CERAMIC 0.1U Z 25V
C2316	403 164 0234	CERAMIC 0.1U Z 25V	C339	403 164 0234	CERAMIC 0.1U Z 25V
C233	403 394 1319	ELECT 100U M 6.3V	C3401	403 392 1212	ELECT 47U M 6.3V
C235	403 394 1319	ELECT 100U M 6.3V	C3402	403 164 0234	CERAMIC 0.1U Z 25V
C2501	403 397 6212	ELECT 10U M 16V	C3403	403 392 1212	ELECT 47U M 6.3V
C2502	403 164 0234	CERAMIC 0.1U Z 25V	C3404	403 164 0234	CERAMIC 0.1U Z 25V
C2503	403 157 3611	CERAMIC 100P J 50V	C3406	403 358 3212	CERAMIC 10U K 6.3V
C2504	403 164 0234	CERAMIC 0.1U Z 25V		403 368 7316	CERAMIC 10U K 6.3V
C2506	403 376 3119	ELECT 100U M 25V	C3407	403 358 3212	CERAMIC 10U K 6.3V
C2507	403 164 0234	CERAMIC 0.1U Z 25V		403 368 7316	CERAMIC 10U K 6.3V
C2508	403 376 3119	ELECT 100U M 25V	C3408	403 358 3212	CERAMIC 10U K 6.3V
C2520	403 164 0234	CERAMIC 0.1U Z 25V		403 368 7316	CERAMIC 10U K 6.3V
C2521	403 164 0234	CERAMIC 0.1U Z 25V	C3409	403 358 3212	CERAMIC 10U K 6.3V
C2522	403 164 0234	CERAMIC 0.1U Z 25V		403 368 7316	CERAMIC 10U K 6.3V
C2523	403 397 6212	ELECT 10U M 16V	C341	403 164 0234	CERAMIC 0.1U Z 25V
C2524	403 164 0234	CERAMIC 0.1U Z 25V	C3411	403 164 0234	CERAMIC 0.1U Z 25V
C2525	403 376 3119	ELECT 100U M 25V	C3412	403 164 0234	CERAMIC 0.1U Z 25V
C2526	403 397 6212	ELECT 10U M 16V	C3413	403 164 0234	CERAMIC 0.1U Z 25V
C2527	403 164 0234	CERAMIC 0.1U Z 25V	C3414	403 164 0234	CERAMIC 0.1U Z 25V
C2528	403 164 0234	CERAMIC 0.1U Z 25V	C3416	403 164 0234	CERAMIC 0.1U Z 25V
C2529	403 391 5112	ELECT 100U M 16V	C3417	403 164 0234	CERAMIC 0.1U Z 25V
C2531	403 397 6212	ELECT 10U M 16V	C3418	403 358 3212	CERAMIC 10U K 6.3V
C2532	403 164 0234	CERAMIC 0.1U Z 25V		403 368 7316	CERAMIC 10U K 6.3V
C2533	403 157 3611	CERAMIC 100P J 50V	C3419	403 283 6339	CERAMIC 1U Z 10V
C2541	403 164 0234	CERAMIC 0.1U Z 25V	C342	403 164 0234	CERAMIC 0.1U Z 25V
C2561	403 397 6212	ELECT 10U M 16V	C3421	403 283 6339	CERAMIC 1U Z 10V
C2562	403 164 0234	CERAMIC 0.1U Z 25V	C3422	403 283 6339	CERAMIC 1U Z 10V

Electrical Parts List

Key No.	Part No.	Description	Key No.	Part No.	Description
C4833	403 164 0234	CERAMIC 0.1U Z 25V	C6331	403 164 0234	CERAMIC 0.1U Z 25V
C4842	403 164 0234	CERAMIC 0.1U Z 25V	C6332	403 164 0234	CERAMIC 0.1U Z 25V
C4845	403 164 0234	CERAMIC 0.1U Z 25V	C6341	403 394 1319	ELECT 100U M 6.3V
C4846	403 164 0234	CERAMIC 0.1U Z 25V	C6342	403 164 0234	CERAMIC 0.1U Z 25V
C4847	403 164 0234	CERAMIC 0.1U Z 25V	C6343	403 164 0234	CERAMIC 0.1U Z 25V
C4851	403 164 0234	CERAMIC 0.1U Z 25V	C6344	403 164 0234	CERAMIC 0.1U Z 25V
C4855	403 164 0234	CERAMIC 0.1U Z 25V	C6346	403 164 0234	CERAMIC 0.1U Z 25V
C4861	403 164 0234	CERAMIC 0.1U Z 25V	C6347	403 164 0234	CERAMIC 0.1U Z 25V
C4862	403 398 2114	ELECT 330U M 6.3V	C6348	403 164 0234	CERAMIC 0.1U Z 25V
C4871	403 164 0234	CERAMIC 0.1U Z 25V	C6349	403 164 0234	CERAMIC 0.1U Z 25V
C4881	403 164 0234	CERAMIC 0.1U Z 25V	C6351	403 164 0234	CERAMIC 0.1U Z 25V
C4883	403 394 1319	ELECT 100U M 6.3V	C6352	403 164 0234	CERAMIC 0.1U Z 25V
C4884	403 164 0234	CERAMIC 0.1U Z 25V	C6353	403 164 0234	CERAMIC 0.1U Z 25V
C501	403 164 0234	CERAMIC 0.1U Z 25V	C6361	403 164 0234	CERAMIC 0.1U Z 25V
C502	403 164 0234	CERAMIC 0.1U Z 25V	C6362	403 164 0234	CERAMIC 0.1U Z 25V
C503	403 398 4118	ELECT 47U M 16V	C6363	403 164 0234	CERAMIC 0.1U Z 25V
C504	403 398 4118	ELECT 47U M 16V	C6364	403 164 0234	CERAMIC 0.1U Z 25V
C506	403 164 0234	CERAMIC 0.1U Z 25V	C6366	403 164 0234	CERAMIC 0.1U Z 25V
C507	403 398 4118	ELECT 47U M 16V	C6367	403 164 0234	CERAMIC 0.1U Z 25V
C508	403 164 0234	CERAMIC 0.1U Z 25V	C6368	403 164 0234	CERAMIC 0.1U Z 25V
C509	403 164 0234	CERAMIC 0.1U Z 25V	C6369	403 164 0234	CERAMIC 0.1U Z 25V
C511	403 164 0234	CERAMIC 0.1U Z 25V	C6371	403 164 0234	CERAMIC 0.1U Z 25V
C512	403 164 0234	CERAMIC 0.1U Z 25V	C6372	403 164 0234	CERAMIC 0.1U Z 25V
C513	403 392 1212	ELECT 47U M 6.3V	C6741	403 164 0234	CERAMIC 0.1U Z 25V
C531	403 392 1212	ELECT 47U M 6.3V	C6742	403 164 0234	CERAMIC 0.1U Z 25V
C532	403 164 0234	CERAMIC 0.1U Z 25V	C6743	403 164 0234	CERAMIC 0.1U Z 25V
C533	403 164 0234	CERAMIC 0.1U Z 25V	C6744	403 164 0234	CERAMIC 0.1U Z 25V
C534	403 164 0234	CERAMIC 0.1U Z 25V	C6746	403 164 0234	CERAMIC 0.1U Z 25V
C536	403 398 4118	ELECT 47U M 16V	C6756	403 164 0234	CERAMIC 0.1U Z 25V
C537	403 164 0234	CERAMIC 0.1U Z 25V	C6757	403 164 0234	CERAMIC 0.1U Z 25V
C538	403 398 4118	ELECT 47U M 16V	C7801	403 164 0234	CERAMIC 0.1U Z 25V
C539	403 164 0234	CERAMIC 0.1U Z 25V	C7802	403 164 0234	CERAMIC 0.1U Z 25V
C541	403 164 0234	CERAMIC 0.1U Z 25V	C7803	403 164 0234	CERAMIC 0.1U Z 25V
C561	403 392 1212	ELECT 47U M 6.3V	C7804	403 391 5815	ELECT 100U M 6.3V
C562	403 164 0234	CERAMIC 0.1U Z 25V	C7805	403 164 0234	CERAMIC 0.1U Z 25V
C563	403 398 4118	ELECT 47U M 16V	C7813	403 164 0234	CERAMIC 0.1U Z 25V
C5631	403 164 0234	CERAMIC 0.1U Z 25V	C7821	403 398 5412	ELECT 47U M 25V
C5632	403 376 3119	ELECT 100U M 25V	C7822	403 164 0234	CERAMIC 0.1U Z 25V
C564	403 164 0234	CERAMIC 0.1U Z 25V	C7824	403 164 0234	CERAMIC 0.1U Z 25V
C5641	403 376 3119	ELECT 100U M 25V	C7825	403 164 0234	CERAMIC 0.1U Z 25V
C5642	403 164 0234	CERAMIC 0.1U Z 25V	C7826	403 164 0234	CERAMIC 0.1U Z 25V
C5651	403 376 3119	ELECT 100U M 25V	C7827	403 164 0234	CERAMIC 0.1U Z 25V
C5652	403 164 0234	CERAMIC 0.1U Z 25V	C7831	403 164 0234	CERAMIC 0.1U Z 25V
C566	403 164 0234	CERAMIC 0.1U Z 25V	C7832	403 391 5112	ELECT 100U M 16V
C567	403 398 4118	ELECT 47U M 16V	C7841	403 398 5412	ELECT 47U M 25V
C568	403 164 0234	CERAMIC 0.1U Z 25V	C7842	403 164 0234	CERAMIC 0.1U Z 25V
C569	403 398 4118	ELECT 47U M 16V	C7851	403 164 0234	CERAMIC 0.1U Z 25V
C571	403 164 0234	CERAMIC 0.1U Z 25V	C7852	403 391 5112	ELECT 100U M 16V
C572	403 164 0234	CERAMIC 0.1U Z 25V	C7861	403 398 5412	ELECT 47U M 25V
C573	403 164 0234	CERAMIC 0.1U Z 25V	C7862	403 164 0234	CERAMIC 0.1U Z 25V
C5811	403 164 0234	CERAMIC 0.1U Z 25V	C7871	403 164 0234	CERAMIC 0.1U Z 25V
C5812	403 164 0234	CERAMIC 0.1U Z 25V	C7872	403 391 5112	ELECT 100U M 16V
C5813	403 164 0234	CERAMIC 0.1U Z 25V	C7881	403 398 5412	ELECT 47U M 25V
C5837	403 376 3119	ELECT 100U M 25V	C7882	403 164 0234	CERAMIC 0.1U Z 25V
C5838	403 164 0234	CERAMIC 0.1U Z 25V	C7891	403 164 0234	CERAMIC 0.1U Z 25V
C5839	403 164 0234	CERAMIC 0.1U Z 25V	C7892	403 391 5112	ELECT 100U M 16V
C5853	403 164 0234	CERAMIC 0.1U Z 25V	C801	403 164 0234	CERAMIC 0.1U Z 25V
C5864	403 164 0234	CERAMIC 0.1U Z 25V	C802	403 164 0234	CERAMIC 0.1U Z 25V
C5865	403 376 3119	ELECT 100U M 25V	C803	403 155 1619	CERAMIC 33P J 50V
C6301	403 394 1319	ELECT 100U M 6.3V	C804	403 155 1619	CERAMIC 33P J 50V
C6302	403 164 0234	CERAMIC 0.1U Z 25V	C806	403 391 5310	ELECT 47U M 6.3V
C6303	403 164 0234	CERAMIC 0.1U Z 25V	C807	403 164 0234	CERAMIC 0.1U Z 25V
C6304	403 164 0234	CERAMIC 0.1U Z 25V	C808	403 157 6612	CERAMIC 470P K 50V
C6306	403 164 0234	CERAMIC 0.1U Z 25V	C809	403 391 5518	ELECT 10U M 16V
C6307	403 164 0234	CERAMIC 0.1U Z 25V	C810	403 164 0234	CERAMIC 0.1U Z 25V
C6308	403 164 0234	CERAMIC 0.1U Z 25V	C811	403 283 6339	CERAMIC 1U Z 10V
C6309	403 164 0234	CERAMIC 0.1U Z 25V	C812	403 164 0234	CERAMIC 0.1U Z 25V
C6311	403 164 0234	CERAMIC 0.1U Z 25V	C813	403 164 0234	CERAMIC 0.1U Z 25V
C6312	403 164 0234	CERAMIC 0.1U Z 25V	C814	403 398 2114	ELECT 330U M 6.3V
C6313	403 164 0234	CERAMIC 0.1U Z 25V	C815	403 164 0234	CERAMIC 0.1U Z 25V
C6321	403 164 0234	CERAMIC 0.1U Z 25V	C816	403 164 0234	CERAMIC 0.1U Z 25V
C6322	403 164 0234	CERAMIC 0.1U Z 25V	C8201	403 397 5413	ELECT 470U M 4V
C6323	403 164 0234	CERAMIC 0.1U Z 25V	C8202	403 113 3835	CERAMIC 1000P K 50V
C6324	403 164 0234	CERAMIC 0.1U Z 25V	C8203	403 164 0234	CERAMIC 0.1U Z 25V
C6326	403 164 0234	CERAMIC 0.1U Z 25V	C8204	403 164 0234	CERAMIC 0.1U Z 25V
C6327	403 164 0234	CERAMIC 0.1U Z 25V	C8211	403 113 3835	CERAMIC 1000P K 50V
C6328	403 164 0234	CERAMIC 0.1U Z 25V	C8212	403 164 0234	CERAMIC 0.1U Z 25V
C6329	403 164 0234	CERAMIC 0.1U Z 25V	C8213	403 164 0234	CERAMIC 0.1U Z 25V

Key No.	Part No.	Description	Key No.	Part No.	Description
C8221	403 113 3835	CERAMIC 1000P K 50V	R1389	401 150 6011	MT-GLAZE 0.000 ZA 1/10W
C8222	403 164 0234	CERAMIC 0.1U Z 25V	R1391	401 162 2216	MT-GLAZE 10 JA 1/10W
C8223	403 164 0234	CERAMIC 0.1U Z 25V	R1392	401 150 6011	MT-GLAZE 0.000 ZA 1/10W
C8225	403 164 0234	CERAMIC 0.1U Z 25V	R1393	401 162 3718	MT-GLAZE 4.7K JA 1/10W
C8251	403 164 0234	CERAMIC 0.1U Z 25V	R1394	401 150 6011	MT-GLAZE 0.000 ZA 1/10W
C8252	403 164 0234	CERAMIC 0.1U Z 25V	R1406	401 150 6219	MT-GLAZE 1K JA 1/10W
C8253	403 164 0234	CERAMIC 0.1U Z 25V	R1407	401 150 6219	MT-GLAZE 1K JA 1/10W
C8254	403 164 0234	CERAMIC 0.1U Z 25V	R1411	401 150 6011	MT-GLAZE 0.000 ZA 1/10W
C8263	403 164 0234	CERAMIC 0.1U Z 25V	R1412	401 150 6011	MT-GLAZE 0.000 ZA 1/10W
C8271	403 164 0234	CERAMIC 0.1U Z 25V	R1416	401 150 6011	MT-GLAZE 0.000 ZA 1/10W
C871	403 397 5413	ELECT 470U M 4V	R1418	401 150 6011	MT-GLAZE 0.000 ZA 1/10W
C872	403 164 0234	CERAMIC 0.1U Z 25V	R1421	401 150 5915	MT-GLAZE 10K JA 1/10W
C873	403 164 0234	CERAMIC 0.1U Z 25V	R1434	401 150 6011	MT-GLAZE 0.000 ZA 1/10W
C874	403 164 0234	CERAMIC 0.1U Z 25V	R1436	401 150 6011	MT-GLAZE 0.000 ZA 1/10W
C875	403 164 0234	CERAMIC 0.1U Z 25V	R1437	401 150 6011	MT-GLAZE 0.000 ZA 1/10W
C876	403 164 0234	CERAMIC 0.1U Z 25V	R1501	401 150 6011	MT-GLAZE 0.000 ZA 1/10W
C877	403 164 0234	CERAMIC 0.1U Z 25V	R1502	401 150 6011	MT-GLAZE 0.000 ZA 1/10W
C878	403 164 0234	CERAMIC 0.1U Z 25V	R1503	401 162 2216	MT-GLAZE 10 JA 1/10W
C879	403 164 0234	CERAMIC 0.1U Z 25V	R1504	401 162 2216	MT-GLAZE 10 JA 1/10W
C886	403 164 0234	CERAMIC 0.1U Z 25V	R1506	401 162 2216	MT-GLAZE 10 JA 1/10W
C887	403 283 6339	CERAMIC 1U Z 10V	R1507	401 150 6011	MT-GLAZE 0.000 ZA 1/10W
C888	403 157 6612	CERAMIC 470P K 50V	R1508	401 150 6011	MT-GLAZE 0.000 ZA 1/10W
C892	403 164 0234	CERAMIC 0.1U Z 25V	R1513	401 150 6219	MT-GLAZE 1K JA 1/10W
C893	403 164 0234	CERAMIC 0.1U Z 25V	R1514	401 150 6219	MT-GLAZE 1K JA 1/10W
C894	403 398 2114	ELECT 330U M 6.3V	R1531	401 150 6011	MT-GLAZE 0.000 ZA 1/10W
C9801	403 397 5413	ELECT 470U M 4V	R1532	401 150 6011	MT-GLAZE 0.000 ZA 1/10W
C9802	403 164 0234	CERAMIC 0.1U Z 25V	R1533	401 162 2216	MT-GLAZE 10 JA 1/10W
C9803	403 164 0234	CERAMIC 0.1U Z 25V	R1534	401 162 2216	MT-GLAZE 10 JA 1/10W
C9804	403 113 3835	CERAMIC 1000P K 50V	R1536	401 162 2216	MT-GLAZE 10 JA 1/10W
C9805	403 153 9112	CERAMIC 5P C 50V	R1538	401 150 6011	MT-GLAZE 0.000 ZA 1/10W
C9806	403 164 0234	CERAMIC 0.1U Z 25V	R1543	401 150 6219	MT-GLAZE 1K JA 1/10W
C9807	403 164 0234	CERAMIC 0.1U Z 25V	R1548	401 150 6219	MT-GLAZE 1K JA 1/10W
C9808	403 164 0234	CERAMIC 0.1U Z 25V	R1561	401 150 6011	MT-GLAZE 0.000 ZA 1/10W
C9811	403 397 5413	ELECT 470U M 4V	R1562	401 150 6011	MT-GLAZE 0.000 ZA 1/10W
C9812	403 164 0234	CERAMIC 0.1U Z 25V	R1563	401 162 2216	MT-GLAZE 10 JA 1/10W
RESISTOR			R1564	401 162 2216	MT-GLAZE 10 JA 1/10W
R1302	401 150 6219	MT-GLAZE 1K JA 1/10W	R1566	401 162 2216	MT-GLAZE 10 JA 1/10W
R1303	401 255 6510	MT-GLAZE 100 JA 1/10W	R1568	401 150 6011	MT-GLAZE 0.000 ZA 1/10W
R1304	401 150 5915	MT-GLAZE 10K JA 1/10W	R1569	401 150 6011	MT-GLAZE 0.000 ZA 1/10W
R1311	401 162 2810	MT-GLAZE 1.8K JA 1/10W	R1574	401 150 6219	MT-GLAZE 1K JA 1/10W
R1312	401 162 2216	MT-GLAZE 10 JA 1/10W	R1576	401 150 6219	MT-GLAZE 1K JA 1/10W
R1313	401 162 2810	MT-GLAZE 1.8K JA 1/10W	R1801	401 255 8118	MT-GLAZE 5.1K JA 1/10W
R1314	401 162 2216	MT-GLAZE 10 JA 1/10W	R1805	401 150 6011	MT-GLAZE 0.000 ZA 1/10W
R1321	401 150 6011	MT-GLAZE 0.000 ZA 1/10W	R1806	401 150 6011	MT-GLAZE 0.000 ZA 1/10W
R1322	401 150 6011	MT-GLAZE 0.000 ZA 1/10W	R1807	401 150 6011	MT-GLAZE 0.000 ZA 1/10W
R1323	401 150 6011	MT-GLAZE 0.000 ZA 1/10W	R1808	401 150 6011	MT-GLAZE 0.000 ZA 1/10W
R1330	401 162 2216	MT-GLAZE 10 JA 1/10W	R1809	401 162 3718	MT-GLAZE 4.7K JA 1/10W
R1332	401 162 2216	MT-GLAZE 10 JA 1/10W	R1810	401 150 6011	MT-GLAZE 0.000 ZA 1/10W
R1334	401 150 5915	MT-GLAZE 10K JA 1/10W	R1811	401 162 2216	MT-GLAZE 10 JA 1/10W
R1337	401 150 6011	MT-GLAZE 0.000 ZA 1/10W	R1812	401 162 2216	MT-GLAZE 10 JA 1/10W
R1338	401 035 4118	MT-GLAZE 0.000 ZA 1/8W	R1813	401 162 3718	MT-GLAZE 4.7K JA 1/10W
R1342	401 162 2216	MT-GLAZE 10 JA 1/10W	R1814	401 162 3718	MT-GLAZE 4.7K JA 1/10W
R1345	401 150 6011	MT-GLAZE 0.000 ZA 1/10W	R1815	401 255 6510	MT-GLAZE 100 JA 1/10W
R1350	401 150 6011	MT-GLAZE 0.000 ZA 1/10W	R1816	401 255 6510	MT-GLAZE 100 JA 1/10W
R1352	401 150 5915	MT-GLAZE 10K JA 1/10W	R1817	401 150 5915	MT-GLAZE 10K JA 1/10W
R1355	401 150 5915	MT-GLAZE 10K JA 1/10W	R1820	401 150 5915	MT-GLAZE 10K JA 1/10W
R1356	401 150 6011	MT-GLAZE 0.000 ZA 1/10W	R1821	401 150 6011	MT-GLAZE 0.000 ZA 1/10W
R1358	401 150 5915	MT-GLAZE 10K JA 1/10W	R1822	401 150 6219	MT-GLAZE 1K JA 1/10W
R1361	401 162 2216	MT-GLAZE 10 JA 1/10W	R1823	401 162 2216	MT-GLAZE 10 JA 1/10W
R1362	401 150 6011	MT-GLAZE 0.000 ZA 1/10W	R1825	401 162 2216	MT-GLAZE 10 JA 1/10W
R1363	401 150 6011	MT-GLAZE 0.000 ZA 1/10W	R1826	401 150 6011	MT-GLAZE 0.000 ZA 1/10W
R1364	401 162 2216	MT-GLAZE 10 JA 1/10W	R1827	401 150 6011	MT-GLAZE 0.000 ZA 1/10W
R1365	401 150 6011	MT-GLAZE 0.000 ZA 1/10W	R1828	401 150 6011	MT-GLAZE 0.000 ZA 1/10W
R1366	401 150 5915	MT-GLAZE 10K JA 1/10W	R1829	401 150 5915	MT-GLAZE 10K JA 1/10W
R1369	401 276 4717	MT-GLAZE 0.000 ZA 1/3W	R1830	401 150 6011	MT-GLAZE 0.000 ZA 1/10W
R1371	401 255 6510	MT-GLAZE 100 JA 1/10W	R1831	401 150 5915	MT-GLAZE 10K JA 1/10W
R1372	401 255 6510	MT-GLAZE 100 JA 1/10W	R1834	401 150 5915	MT-GLAZE 10K JA 1/10W
R1373	401 150 6011	MT-GLAZE 0.000 ZA 1/10W	R1841	401 150 5915	MT-GLAZE 10K JA 1/10W
R1374	401 150 6011	MT-GLAZE 0.000 ZA 1/10W	R1844	401 150 5915	MT-GLAZE 10K JA 1/10W
R1376	401 150 6011	MT-GLAZE 0.000 ZA 1/10W	R1853	401 256 7516	MT-GLAZE 390 JA 1/10W
R1379	401 150 5915	MT-GLAZE 10K JA 1/10W	R1854	401 150 5915	MT-GLAZE 10K JA 1/10W
R1381	401 150 5915	MT-GLAZE 10K JA 1/10W	R1856	401 150 5915	MT-GLAZE 10K JA 1/10W
R1383	401 150 5915	MT-GLAZE 10K JA 1/10W	R1857	401 256 7516	MT-GLAZE 390 JA 1/10W
R1384	401 150 5915	MT-GLAZE 10K JA 1/10W	R1858	401 150 5915	MT-GLAZE 10K JA 1/10W
R1385	401 150 6011	MT-GLAZE 0.000 ZA 1/10W	R1859	401 150 5915	MT-GLAZE 10K JA 1/10W
R1386	401 150 5915	MT-GLAZE 10K JA 1/10W	R1860	401 150 5915	MT-GLAZE 10K JA 1/10W
R1387	401 276 4717	MT-GLAZE 0.000 ZA 1/3W	R1861	401 150 5915	MT-GLAZE 10K JA 1/10W
R1388	401 150 6011	MT-GLAZE 0.000 ZA 1/10W	R1862	401 150 5915	MT-GLAZE 10K JA 1/10W

Electrical Parts List

Key No.	Part No.	Description	Key No.	Part No.	Description
R1863	401 150 5915	MT-GLAZE 10K JA 1/10W	R2356	401 150 5915	MT-GLAZE 10K JA 1/10W
R1864	401 150 5915	MT-GLAZE 10K JA 1/10W	R2359	401 150 5915	MT-GLAZE 10K JA 1/10W
R1865	401 150 5915	MT-GLAZE 10K JA 1/10W	R2360	401 150 6011	MT-GLAZE 0.000 ZA 1/10W
R1866	401 150 5915	MT-GLAZE 10K JA 1/10W	R2363	401 162 2216	MT-GLAZE 10 JA 1/10W
R1867	401 150 5915	MT-GLAZE 10K JA 1/10W	R2364	401 162 2216	MT-GLAZE 10 JA 1/10W
R1868	401 150 5915	MT-GLAZE 10K JA 1/10W	R2365	401 150 5915	MT-GLAZE 10K JA 1/10W
R1869	401 150 5915	MT-GLAZE 10K JA 1/10W	R2366	401 150 6011	MT-GLAZE 0.000 ZA 1/10W
R1870	401 150 6011	MT-GLAZE 0.000 ZA 1/10W	R2367	401 150 6011	MT-GLAZE 0.000 ZA 1/10W
R1871	401 256 7318	MT-GLAZE 6.8K JA 1/10W	R2368	401 150 5915	MT-GLAZE 10K JA 1/10W
R1872	401 150 6219	MT-GLAZE 1K JA 1/10W	R2369	401 150 6011	MT-GLAZE 0.000 ZA 1/10W
R1873	401 150 6219	MT-GLAZE 1K JA 1/10W	R2371	401 150 6011	MT-GLAZE 0.000 ZA 1/10W
R1874	401 256 7318	MT-GLAZE 6.8K JA 1/10W	R2386	401 150 5915	MT-GLAZE 10K JA 1/10W
R1875	401 150 6011	MT-GLAZE 0.000 ZA 1/10W	R2396	401 150 5915	MT-GLAZE 10K JA 1/10W
R1876	401 150 6011	MT-GLAZE 0.000 ZA 1/10W	R241	401 256 0715	MT-GLAZE 33 JA 1/10W
R1877	401 150 6011	MT-GLAZE 0.000 ZA 1/10W	R2501	401 255 8712	MT-GLAZE 22 JA 1/10W
R1878	401 150 6110	MT-GLAZE 2.2K JA 1/10W	R2502	401 277 7212	MT-GLAZE 470 JA 1/3W
R1879	401 150 6110	MT-GLAZE 2.2K JA 1/10W	R2503	401 277 7212	MT-GLAZE 470 JA 1/3W
R1881	401 150 5816	MT-GLAZE 100K JA 1/10W	R2504	401 255 8712	MT-GLAZE 22 JA 1/10W
R1882	401 162 3619	MT-GLAZE 470 JA 1/10W	R2506	401 255 8712	MT-GLAZE 22 JA 1/10W
R1883	401 255 6510	MT-GLAZE 100 JA 1/10W	R2507	401 264 5313	MT-GLAZE 2.2 JA 1/10W
R1884	401 150 5915	MT-GLAZE 10K JA 1/10W	R2508	401 264 5313	MT-GLAZE 2.2 JA 1/10W
R1885	401 150 5915	MT-GLAZE 10K JA 1/10W	R2511	401 256 0111	MT-GLAZE 8.2K JA 1/10W
R1886	401 150 5915	MT-GLAZE 10K JA 1/10W	R2512	401 255 6510	MT-GLAZE 100 JA 1/10W
R1887	401 150 5915	MT-GLAZE 10K JA 1/10W	R2513	401 256 3815	MT-GLAZE 1.5K JA 1/10W
R1889	401 150 6011	MT-GLAZE 0.000 ZA 1/10W	R2514	401 255 5810	MT-GLAZE 2K JA 1/10W
R1891	401 150 5915	MT-GLAZE 10K JA 1/10W	R2515	401 150 5816	MT-GLAZE 100K JA 1/10W
R1898	401 150 5915	MT-GLAZE 10K JA 1/10W	R2521	401 150 6011	MT-GLAZE 0.000 ZA 1/10W
R201	401 150 6011	MT-GLAZE 0.000 ZA 1/10W	R2522	401 256 7615	MT-GLAZE 3.9K JA 1/10W
R202	401 256 2719	MT-GLAZE 75 JA 1/10W	R2524	401 150 5816	MT-GLAZE 100K JA 1/10W
R204	401 255 6510	MT-GLAZE 100 JA 1/10W	R2525	401 255 6510	MT-GLAZE 100 JA 1/10W
R205	401 255 6510	MT-GLAZE 100 JA 1/10W	R2526	401 256 0111	MT-GLAZE 8.2K JA 1/10W
R209	401 150 5915	MT-GLAZE 10K JA 1/10W	R2527	401 255 8712	MT-GLAZE 22 JA 1/10W
R211	401 150 6011	MT-GLAZE 0.000 ZA 1/10W	R2528	401 255 5810	MT-GLAZE 2K JA 1/10W
R212	401 256 2719	MT-GLAZE 75 JA 1/10W	R2531	401 255 8712	MT-GLAZE 22 JA 1/10W
R214	401 255 6510	MT-GLAZE 100 JA 1/10W	R2532	401 277 7212	MT-GLAZE 470 JA 1/3W
R215	401 255 6510	MT-GLAZE 100 JA 1/10W	R2533	401 277 7212	MT-GLAZE 470 JA 1/3W
R219	401 150 5915	MT-GLAZE 10K JA 1/10W	R2534	401 255 8712	MT-GLAZE 22 JA 1/10W
R220	401 255 6510	MT-GLAZE 100 JA 1/10W	R2536	401 255 8712	MT-GLAZE 22 JA 1/10W
R2202	401 162 2216	MT-GLAZE 10 JA 1/10W	R2537	401 264 5313	MT-GLAZE 2.2 JA 1/10W
R2203	401 150 6011	MT-GLAZE 0.000 ZA 1/10W	R2538	401 264 5313	MT-GLAZE 2.2 JA 1/10W
R2205	401 162 2216	MT-GLAZE 10 JA 1/10W	R2541	401 255 6510	MT-GLAZE 100 JA 1/10W
R2206	401 162 2216	MT-GLAZE 10 JA 1/10W	R2542	401 255 6510	MT-GLAZE 100 JA 1/10W
R2207	401 162 2216	MT-GLAZE 10 JA 1/10W	R2543	401 150 5915	MT-GLAZE 10K JA 1/10W
R2208	401 162 2216	MT-GLAZE 10 JA 1/10W	R2561	401 255 8712	MT-GLAZE 22 JA 1/10W
R221	401 150 6011	MT-GLAZE 0.000 ZA 1/10W	R2562	401 277 7212	MT-GLAZE 470 JA 1/3W
R2211	401 162 2216	MT-GLAZE 10 JA 1/10W	R2563	401 277 7212	MT-GLAZE 470 JA 1/3W
R2213	401 162 3114	MT-GLAZE 3.3K JA 1/10W	R2564	401 255 8712	MT-GLAZE 22 JA 1/10W
R2215	401 150 5915	MT-GLAZE 10K JA 1/10W	R2566	401 255 8712	MT-GLAZE 22 JA 1/10W
R222	401 256 2719	MT-GLAZE 75 JA 1/10W	R2567	401 264 5313	MT-GLAZE 2.2 JA 1/10W
R2231	401 162 2216	MT-GLAZE 10 JA 1/10W	R2568	401 264 5313	MT-GLAZE 2.2 JA 1/10W
R2232	401 162 2216	MT-GLAZE 10 JA 1/10W	R2583	401 150 6011	MT-GLAZE 0.000 ZA 1/10W
R2233	401 162 2216	MT-GLAZE 10 JA 1/10W	R2584	401 256 7615	MT-GLAZE 3.9K JA 1/10W
R2234	401 162 2216	MT-GLAZE 10 JA 1/10W	R2591	401 150 6011	MT-GLAZE 0.000 ZA 1/10W
R225	401 255 6510	MT-GLAZE 100 JA 1/10W	R2592	401 256 7615	MT-GLAZE 3.9K JA 1/10W
R2261	401 162 2216	MT-GLAZE 10 JA 1/10W	R261	401 256 0715	MT-GLAZE 33 JA 1/10W
R2262	401 162 2216	MT-GLAZE 10 JA 1/10W	R271	401 150 5915	MT-GLAZE 10K JA 1/10W
R2263	401 150 6011	MT-GLAZE 0.000 ZA 1/10W	R272	401 150 6219	MT-GLAZE 1K JA 1/10W
R2265	401 150 5915	MT-GLAZE 10K JA 1/10W	R280	401 150 6219	MT-GLAZE 1K JA 1/10W
R2266	401 162 3718	MT-GLAZE 4.7K JA 1/10W	R2801	401 150 6011	MT-GLAZE 0.000 ZA 1/10W
R2267	401 162 3718	MT-GLAZE 4.7K JA 1/10W	R2802	401 150 6011	MT-GLAZE 0.000 ZA 1/10W
R229	401 150 5915	MT-GLAZE 10K JA 1/10W	R2803	401 150 6011	MT-GLAZE 0.000 ZA 1/10W
R2300	401 162 3718	MT-GLAZE 4.7K JA 1/10W	R2804	401 150 6011	MT-GLAZE 0.000 ZA 1/10W
R2301	401 150 5915	MT-GLAZE 10K JA 1/10W	R2806	401 150 6219	MT-GLAZE 1K JA 1/10W
R2302	401 150 6011	MT-GLAZE 0.000 ZA 1/10W	R2807	401 150 5915	MT-GLAZE 10K JA 1/10W
R2303	401 162 2216	MT-GLAZE 10 JA 1/10W	R2808	401 150 6219	MT-GLAZE 1K JA 1/10W
R2304	401 162 3015	MT-GLAZE 22K JA 1/10W	R2809	401 150 5915	MT-GLAZE 10K JA 1/10W
R2306	401 150 5915	MT-GLAZE 10K JA 1/10W	R2811	401 150 5915	MT-GLAZE 10K JA 1/10W
R2307	401 162 3718	MT-GLAZE 4.7K JA 1/10W	R2812	401 150 6011	MT-GLAZE 0.000 ZA 1/10W
R2308	401 150 5915	MT-GLAZE 10K JA 1/10W	R2813	401 150 6011	MT-GLAZE 0.000 ZA 1/10W
R231	401 256 0715	MT-GLAZE 33 JA 1/10W	R2814	401 150 6011	MT-GLAZE 0.000 ZA 1/10W
R2310	401 256 2917	MT-GLAZE 150 JA 1/10W	R2816	401 150 5915	MT-GLAZE 10K JA 1/10W
R2320	401 256 2917	MT-GLAZE 150 JA 1/10W	R2817	401 150 5915	MT-GLAZE 10K JA 1/10W
R2328	401 150 6011	MT-GLAZE 0.000 ZA 1/10W	R282	401 150 5915	MT-GLAZE 10K JA 1/10W
R2331	401 150 6011	MT-GLAZE 0.000 ZA 1/10W	R284	401 150 5915	MT-GLAZE 10K JA 1/10W
R2340	401 150 6011	MT-GLAZE 0.000 ZA 1/10W	R286	401 150 5915	MT-GLAZE 10K JA 1/10W
R2349	401 150 5915	MT-GLAZE 10K JA 1/10W	R287	401 150 6219	MT-GLAZE 1K JA 1/10W
R2350	401 150 6011	MT-GLAZE 0.000 ZA 1/10W	R288	401 150 6011	MT-GLAZE 0.000 ZA 1/10W
R2352	401 150 5915	MT-GLAZE 10K JA 1/10W	R289	401 150 6011	MT-GLAZE 0.000 ZA 1/10W

Key No.	Part No.	Description	Key No.	Part No.	Description
R290	401 150 6219	MT-GLAZE 1K JA 1/10W	R3410	401 162 3718	MT-GLAZE 4.7K JA 1/10W
R291	401 150 6011	MT-GLAZE 0.000 ZA 1/10W	R3412	401 150 5915	MT-GLAZE 10K JA 1/10W
R292	401 150 6219	MT-GLAZE 1K JA 1/10W	R3413	401 150 5915	MT-GLAZE 10K JA 1/10W
R293	401 150 6219	MT-GLAZE 1K JA 1/10W	R3414	401 150 5915	MT-GLAZE 10K JA 1/10W
R295	401 162 2216	MT-GLAZE 10 JA 1/10W	R3416	401 150 5915	MT-GLAZE 10K JA 1/10W
R297	401 255 8712	MT-GLAZE 22 JA 1/10W	R3417	401 150 6219	MT-GLAZE 1K JA 1/10W
R299	401 150 6219	MT-GLAZE 1K JA 1/10W	R342	401 150 6011	MT-GLAZE 0.000 ZA 1/10W
R301	401 150 6011	MT-GLAZE 0.000 ZA 1/10W	R3423	401 150 6011	MT-GLAZE 0.000 ZA 1/10W
R302	401 150 6011	MT-GLAZE 0.000 ZA 1/10W	R3424	401 150 6011	MT-GLAZE 0.000 ZA 1/10W
R303	401 162 2810	MT-GLAZE 1.8K JA 1/10W	R3426	401 255 6510	MT-GLAZE 100 JA 1/10W
R304	401 150 6011	MT-GLAZE 0.000 ZA 1/10W	R3427	401 255 6510	MT-GLAZE 100 JA 1/10W
R305	401 162 2810	MT-GLAZE 1.8K JA 1/10W	R3428	401 255 6510	MT-GLAZE 100 JA 1/10W
R306	401 150 6011	MT-GLAZE 0.000 ZA 1/10W	R3429	401 255 6510	MT-GLAZE 100 JA 1/10W
R307	401 150 6011	MT-GLAZE 0.000 ZA 1/10W	R343	401 162 2216	MT-GLAZE 10 JA 1/10W
R308	401 150 6011	MT-GLAZE 0.000 ZA 1/10W	R348	401 162 2216	MT-GLAZE 10 JA 1/10W
R309	401 150 6011	MT-GLAZE 0.000 ZA 1/10W	R349	401 150 6011	MT-GLAZE 0.000 ZA 1/10W
R318	401 150 5915	MT-GLAZE 10K JA 1/10W	R352	401 162 2216	MT-GLAZE 10 JA 1/10W
R3213	401 150 6011	MT-GLAZE 0.000 ZA 1/10W	R353	401 256 6915	MT-GLAZE 680 JA 1/10W
R3214	401 150 6011	MT-GLAZE 0.000 ZA 1/10W	R354	401 150 6011	MT-GLAZE 0.000 ZA 1/10W
R3215	401 150 6011	MT-GLAZE 0.000 ZA 1/10W	R355	401 150 6011	MT-GLAZE 0.000 ZA 1/10W
R3216	401 150 6011	MT-GLAZE 0.000 ZA 1/10W	R356	401 150 6011	MT-GLAZE 0.000 ZA 1/10W
R3217	401 150 6011	MT-GLAZE 0.000 ZA 1/10W	R357	401 150 6011	MT-GLAZE 0.000 ZA 1/10W
R3218	401 150 6011	MT-GLAZE 0.000 ZA 1/10W	R358	401 150 6011	MT-GLAZE 0.000 ZA 1/10W
R3219	401 150 6011	MT-GLAZE 0.000 ZA 1/10W	R359	401 150 6011	MT-GLAZE 0.000 ZA 1/10W
R3231	401 150 6011	MT-GLAZE 0.000 ZA 1/10W	R360	401 150 6011	MT-GLAZE 0.000 ZA 1/10W
R3232	401 150 6011	MT-GLAZE 0.000 ZA 1/10W	R361	401 150 6011	MT-GLAZE 0.000 ZA 1/10W
R3233	401 150 6011	MT-GLAZE 0.000 ZA 1/10W	R363	401 150 6011	MT-GLAZE 0.000 ZA 1/10W
R3235	401 150 6011	MT-GLAZE 0.000 ZA 1/10W	R371	401 150 6011	MT-GLAZE 0.000 ZA 1/10W
R3237	401 150 5915	MT-GLAZE 10K JA 1/10W	R372	401 255 6510	MT-GLAZE 100 JA 1/10W
R3238	401 150 6011	MT-GLAZE 0.000 ZA 1/10W	R373	401 255 6510	MT-GLAZE 100 JA 1/10W
R3239	401 150 6011	MT-GLAZE 0.000 ZA 1/10W	R374	401 255 6510	MT-GLAZE 100 JA 1/10W
R324	401 255 6510	MT-GLAZE 100 JA 1/10W	R375	401 255 6510	MT-GLAZE 100 JA 1/10W
R3242	401 150 6011	MT-GLAZE 0.000 ZA 1/10W	R376	401 150 6011	MT-GLAZE 0.000 ZA 1/10W
R3243	401 162 2216	MT-GLAZE 10 JA 1/10W	R377	401 150 6011	MT-GLAZE 0.000 ZA 1/10W
R3244	401 150 6011	MT-GLAZE 0.000 ZA 1/10W	R378	401 150 6011	MT-GLAZE 0.000 ZA 1/10W
R3245	401 150 6011	MT-GLAZE 0.000 ZA 1/10W	R379	401 150 6011	MT-GLAZE 0.000 ZA 1/10W
R325	401 150 6011	MT-GLAZE 0.000 ZA 1/10W	R382	401 150 6011	MT-GLAZE 0.000 ZA 1/10W
R3251	401 150 6011	MT-GLAZE 0.000 ZA 1/10W	R383	401 150 6011	MT-GLAZE 0.000 ZA 1/10W
R3255	401 150 6011	MT-GLAZE 0.000 ZA 1/10W	R388	401 255 6510	MT-GLAZE 100 JA 1/10W
R3256	401 150 6011	MT-GLAZE 0.000 ZA 1/10W	R390	401 150 5915	MT-GLAZE 10K JA 1/10W
R326	401 150 5915	MT-GLAZE 10K JA 1/10W	R392	401 150 5915	MT-GLAZE 10K JA 1/10W
R3261	401 150 5915	MT-GLAZE 10K JA 1/10W	R393	401 150 6011	MT-GLAZE 0.000 ZA 1/10W
R3266	401 150 5915	MT-GLAZE 10K JA 1/10W	R395	401 150 5915	MT-GLAZE 10K JA 1/10W
R3275	401 150 6011	MT-GLAZE 0.000 ZA 1/10W	R397	401 150 5915	MT-GLAZE 10K JA 1/10W
R3276	401 162 2216	MT-GLAZE 10 JA 1/10W	R398	401 150 5915	MT-GLAZE 10K JA 1/10W
R3277	401 162 2216	MT-GLAZE 10 JA 1/10W	R399	401 150 5915	MT-GLAZE 10K JA 1/10W
R3278	401 162 2216	MT-GLAZE 10 JA 1/10W	R401	401 150 6011	MT-GLAZE 0.000 ZA 1/10W
R3279	401 150 6011	MT-GLAZE 0.000 ZA 1/10W	R402	401 150 6011	MT-GLAZE 0.000 ZA 1/10W
R328	401 150 5915	MT-GLAZE 10K JA 1/10W	R403	401 150 6011	MT-GLAZE 0.000 ZA 1/10W
R3280	401 150 6011	MT-GLAZE 0.000 ZA 1/10W	R404	401 150 6011	MT-GLAZE 0.000 ZA 1/10W
R3281	401 162 2919	MT-GLAZE 220 JA 1/10W	R405	401 150 5915	MT-GLAZE 10K JA 1/10W
R3282	401 162 2919	MT-GLAZE 220 JA 1/10W	R406	401 150 6011	MT-GLAZE 0.000 ZA 1/10W
R3283	401 162 2919	MT-GLAZE 220 JA 1/10W	R407	401 150 6011	MT-GLAZE 0.000 ZA 1/10W
R3284	401 150 6011	MT-GLAZE 0.000 ZA 1/10W	R408	401 150 6011	MT-GLAZE 0.000 ZA 1/10W
R3285	401 162 2216	MT-GLAZE 10 JA 1/10W	R410	401 150 5915	MT-GLAZE 10K JA 1/10W
R3286	401 150 6011	MT-GLAZE 0.000 ZA 1/10W	R412	401 150 6110	MT-GLAZE 2.2K JA 1/10W
R3287	401 162 2216	MT-GLAZE 10 JA 1/10W	R413	401 150 6110	MT-GLAZE 2.2K JA 1/10W
R3288	401 162 2216	MT-GLAZE 10 JA 1/10W	R414	401 256 1613	MT-GLAZE 1.3K JA 1/10W
R3289	401 162 2216	MT-GLAZE 10 JA 1/10W	R415	401 150 6011	MT-GLAZE 0.000 ZA 1/10W
R329	401 150 6011	MT-GLAZE 0.000 ZA 1/10W	R416	401 256 1613	MT-GLAZE 1.3K JA 1/10W
R3291	401 150 6011	MT-GLAZE 0.000 ZA 1/10W	R417	401 150 6011	MT-GLAZE 0.000 ZA 1/10W
R3292	401 162 3718	MT-GLAZE 4.7K JA 1/10W	R418	401 150 6011	MT-GLAZE 0.000 ZA 1/10W
R3293	401 162 3718	MT-GLAZE 4.7K JA 1/10W	R419	401 150 6011	MT-GLAZE 0.000 ZA 1/10W
R332	401 150 6011	MT-GLAZE 0.000 ZA 1/10W	R420	401 150 6011	MT-GLAZE 0.000 ZA 1/10W
R335	401 150 6011	MT-GLAZE 0.000 ZA 1/10W	R4201	401 150 6011	MT-GLAZE 0.000 ZA 1/10W
R338	401 162 2216	MT-GLAZE 10 JA 1/10W	R4202	401 150 5915	MT-GLAZE 10K JA 1/10W
R339	401 150 6011	MT-GLAZE 0.000 ZA 1/10W	R4203	401 150 6011	MT-GLAZE 0.000 ZA 1/10W
R340	401 150 6011	MT-GLAZE 0.000 ZA 1/10W	R4204	401 150 6011	MT-GLAZE 0.000 ZA 1/10W
R3401	401 035 4118	MT-GLAZE 0.000 ZA 1/8W	R4206	401 162 3114	MT-GLAZE 3.3K JA 1/10W
R3402	401 255 6510	MT-GLAZE 100 JA 1/10W	R4207	401 150 6011	MT-GLAZE 0.000 ZA 1/10W
R3403	401 255 6510	MT-GLAZE 100 JA 1/10W	R4209	401 150 6011	MT-GLAZE 0.000 ZA 1/10W
R3404	401 150 6219	MT-GLAZE 1K JA 1/10W	R421	401 162 2216	MT-GLAZE 10 JA 1/10W
R3405	401 150 5915	MT-GLAZE 10K JA 1/10W	R4210	401 150 6011	MT-GLAZE 0.000 ZA 1/10W
R3406	401 150 5915	MT-GLAZE 10K JA 1/10W	R4211	401 255 7517	MT-GLAZE 110 JA 1/10W
R3407	401 150 5915	MT-GLAZE 10K JA 1/10W	R4212	401 255 7517	MT-GLAZE 110 JA 1/10W
R3408	401 256 3617	MT-GLAZE 15K JA 1/10W	R4213	401 255 7517	MT-GLAZE 110 JA 1/10W
R3409	401 150 5915	MT-GLAZE 10K JA 1/10W	R4214	401 255 7517	MT-GLAZE 110 JA 1/10W
R341	401 150 6011	MT-GLAZE 0.000 ZA 1/10W	R4215	401 162 2216	MT-GLAZE 10 JA 1/10W

Key No.	Part No.	Description	Key No.	Part No.	Description
R4820	401 255 6510	MT-GLAZE 100 JA 1/10W	R533	401 162 2216	MT-GLAZE 10 JA 1/10W
R4821	401 150 6011	MT-GLAZE 0.000 ZA 1/10W	R534	401 162 2216	MT-GLAZE 10 JA 1/10W
R4822	401 150 6011	MT-GLAZE 0.000 ZA 1/10W	R536	401 162 2216	MT-GLAZE 10 JA 1/10W
R4823	401 150 6011	MT-GLAZE 0.000 ZA 1/10W	R538	401 150 6011	MT-GLAZE 0.000 ZA 1/10W
R4824	401 150 6011	MT-GLAZE 0.000 ZA 1/10W	R542	401 150 6219	MT-GLAZE 1K JA 1/10W
R4825	401 255 6510	MT-GLAZE 100 JA 1/10W	R543	401 162 2216	MT-GLAZE 10 JA 1/10W
R4826	401 150 6011	MT-GLAZE 0.000 ZA 1/10W	R546	401 150 6219	MT-GLAZE 1K JA 1/10W
R4827	401 150 6011	MT-GLAZE 0.000 ZA 1/10W	R548	401 150 6219	MT-GLAZE 1K JA 1/10W
R4828	401 150 6011	MT-GLAZE 0.000 ZA 1/10W	R561	401 150 6011	MT-GLAZE 0.000 ZA 1/10W
R4829	401 150 6011	MT-GLAZE 0.000 ZA 1/10W	R562	401 150 6011	MT-GLAZE 0.000 ZA 1/10W
R4830	401 255 6510	MT-GLAZE 100 JA 1/10W	R563	401 162 2216	MT-GLAZE 10 JA 1/10W
R4831	401 150 6011	MT-GLAZE 0.000 ZA 1/10W	R5631	401 038 6416	MT-GLAZE 4.7K JA 1/10W
R4832	401 150 6011	MT-GLAZE 0.000 ZA 1/10W	R564	401 162 2216	MT-GLAZE 10 JA 1/10W
R4833	401 150 6011	MT-GLAZE 0.000 ZA 1/10W	R5641	401 162 3114	MT-GLAZE 3.3K JA 1/10W
R4834	401 150 6011	MT-GLAZE 0.000 ZA 1/10W	R5642	401 256 3815	MT-GLAZE 1.5K JA 1/10W
R4835	401 150 6011	MT-GLAZE 0.000 ZA 1/10W	R5643	401 255 5810	MT-GLAZE 2K JA 1/10W
R4836	401 150 6011	MT-GLAZE 0.000 ZA 1/10W	R5651	401 162 4111	MT-GLAZE 5.6K JA 1/10W
R4837	401 150 6011	MT-GLAZE 0.000 ZA 1/10W	R5652	401 256 3815	MT-GLAZE 1.5K JA 1/10W
R4838	401 150 6011	MT-GLAZE 0.000 ZA 1/10W	R5653	401 255 5810	MT-GLAZE 2K JA 1/10W
R4839	401 150 6011	MT-GLAZE 0.000 ZA 1/10W	R566	401 162 2216	MT-GLAZE 10 JA 1/10W
R4840	401 150 5915	MT-GLAZE 10K JA 1/10W	R568	401 150 6011	MT-GLAZE 0.000 ZA 1/10W
R4841	401 150 6011	MT-GLAZE 0.000 ZA 1/10W	R569	401 150 6011	MT-GLAZE 0.000 ZA 1/10W
R4842	401 150 6011	MT-GLAZE 0.000 ZA 1/10W	R572	401 150 6219	MT-GLAZE 1K JA 1/10W
R4843	401 150 5915	MT-GLAZE 10K JA 1/10W	R573	401 162 2216	MT-GLAZE 10 JA 1/10W
R4844	401 150 6011	MT-GLAZE 0.000 ZA 1/10W	R576	401 150 6219	MT-GLAZE 1K JA 1/10W
R4845	401 150 6011	MT-GLAZE 0.000 ZA 1/10W	R578	401 150 6219	MT-GLAZE 1K JA 1/10W
R4846	401 150 5816	MT-GLAZE 100K JA 1/10W	R5801	401 035 4118	MT-GLAZE 0.000 ZA 1/8W
R4847	401 162 3114	MT-GLAZE 3.3K JA 1/10W	R5802	401 150 6011	MT-GLAZE 0.000 ZA 1/10W
R4849	401 162 2216	MT-GLAZE 10 JA 1/10W	R5803	401 150 6011	MT-GLAZE 0.000 ZA 1/10W
R4851	401 162 2216	MT-GLAZE 10 JA 1/10W	R5804	401 150 6011	MT-GLAZE 0.000 ZA 1/10W
R4852	401 150 6011	MT-GLAZE 0.000 ZA 1/10W	R5811	401 035 4118	MT-GLAZE 0.000 ZA 1/8W
R4855	401 150 5915	MT-GLAZE 10K JA 1/10W	R5812	401 162 3619	MT-GLAZE 470 JA 1/10W
R4857	401 150 6011	MT-GLAZE 0.000 ZA 1/10W	R5813	401 162 2810	MT-GLAZE 1.8K JA 1/10W
R4858	401 150 6011	MT-GLAZE 0.000 ZA 1/10W	R5814	401 255 6510	MT-GLAZE 100 JA 1/10W
R4859	401 150 6011	MT-GLAZE 0.000 ZA 1/10W	R5815	401 256 0012	MT-GLAZE 120 JA 1/10W
R4861	401 150 5915	MT-GLAZE 10K JA 1/10W	R5816	401 150 6219	MT-GLAZE 1K JA 1/10W
R4865	401 162 3718	MT-GLAZE 4.7K JA 1/10W	R5817	401 162 3718	MT-GLAZE 4.7K JA 1/10W
R4867	401 162 4111	MT-GLAZE 5.6K JA 1/10W	R5821	401 255 6510	MT-GLAZE 100 JA 1/10W
R4868	401 162 3619	MT-GLAZE 470 JA 1/10W	R5822	401 255 6510	MT-GLAZE 100 JA 1/10W
R4869	401 162 2810	MT-GLAZE 1.8K JA 1/10W	R5823	401 150 6011	MT-GLAZE 0.000 ZA 1/10W
R4870	401 150 6011	MT-GLAZE 0.000 ZA 1/10W	R5827	401 150 6011	MT-GLAZE 0.000 ZA 1/10W
R4871	401 256 0012	MT-GLAZE 120 JA 1/10W	R5831	401 035 4118	MT-GLAZE 0.000 ZA 1/8W
R4872	401 255 6510	MT-GLAZE 100 JA 1/10W	R5832	401 035 4118	MT-GLAZE 0.000 ZA 1/8W
R4873	401 150 6219	MT-GLAZE 1K JA 1/10W	R5833	401 150 6011	MT-GLAZE 0.000 ZA 1/10W
R4874	401 150 6011	MT-GLAZE 0.000 ZA 1/10W	R5834	401 035 4118	MT-GLAZE 0.000 ZA 1/8W
R4875	401 150 6011	MT-GLAZE 0.000 ZA 1/10W	R5835	401 035 4118	MT-GLAZE 0.000 ZA 1/8W
R4876	401 150 6011	MT-GLAZE 0.000 ZA 1/10W	R5836	645 030 1056	PROTECTOR, IC 3.8A 72V
R4877	401 150 6011	MT-GLAZE 0.000 ZA 1/10W	R5837	401 150 6011	MT-GLAZE 0.000 ZA 1/10W
R4878	401 150 6011	MT-GLAZE 0.000 ZA 1/10W	R5838	401 150 6011	MT-GLAZE 0.000 ZA 1/10W
R4879	401 150 6011	MT-GLAZE 0.000 ZA 1/10W	R5841	401 150 5915	MT-GLAZE 10K JA 1/10W
R4880	401 150 6011	MT-GLAZE 0.000 ZA 1/10W	R5842	401 150 5915	MT-GLAZE 10K JA 1/10W
R4881	401 035 4118	MT-GLAZE 0.000 ZA 1/8W	R5843	401 150 5915	MT-GLAZE 10K JA 1/10W
R4882	401 150 6011	MT-GLAZE 0.000 ZA 1/10W	R5844	645 030 1056	PROTECTOR, IC 3.8A 72V
R4883	401 035 4118	MT-GLAZE 0.000 ZA 1/8W	R5846	401 150 6011	MT-GLAZE 0.000 ZA 1/10W
R4884	401 035 4118	MT-GLAZE 0.000 ZA 1/8W	R5847	401 150 6011	MT-GLAZE 0.000 ZA 1/10W
R4885	401 150 6011	MT-GLAZE 0.000 ZA 1/10W	R5850	401 150 6011	MT-GLAZE 0.000 ZA 1/10W
R4886	401 150 6011	MT-GLAZE 0.000 ZA 1/10W	R5851	401 256 5918	MT-GLAZE 2.7K JA 1/10W
R4887	401 035 4118	MT-GLAZE 0.000 ZA 1/8W	R5853	401 255 6510	MT-GLAZE 100 JA 1/10W
R4888	401 035 4118	MT-GLAZE 0.000 ZA 1/8W	R5854	401 255 6510	MT-GLAZE 100 JA 1/10W
R4889	401 162 2216	MT-GLAZE 10 JA 1/10W	R5855	401 255 6510	MT-GLAZE 100 JA 1/10W
R4891	401 035 4118	MT-GLAZE 0.000 ZA 1/8W	R5857	401 255 6510	MT-GLAZE 100 JA 1/10W
R4892	401 035 4118	MT-GLAZE 0.000 ZA 1/8W	R5858	401 255 6510	MT-GLAZE 100 JA 1/10W
R4895	401 035 4118	MT-GLAZE 0.000 ZA 1/8W	R5859	401 035 4118	MT-GLAZE 0.000 ZA 1/8W
R4897	401 035 4118	MT-GLAZE 0.000 ZA 1/8W	R5861	401 150 6011	MT-GLAZE 0.000 ZA 1/10W
R4899	401 150 6011	MT-GLAZE 0.000 ZA 1/10W	R5862	401 150 6011	MT-GLAZE 0.000 ZA 1/10W
R501	401 150 6011	MT-GLAZE 0.000 ZA 1/10W	R5863	401 150 5915	MT-GLAZE 10K JA 1/10W
R502	401 150 6011	MT-GLAZE 0.000 ZA 1/10W	R5866	401 150 5915	MT-GLAZE 10K JA 1/10W
R503	401 162 2216	MT-GLAZE 10 JA 1/10W	R5868	401 150 6011	MT-GLAZE 0.000 ZA 1/10W
R504	401 162 2216	MT-GLAZE 10 JA 1/10W	R5869	401 150 5915	MT-GLAZE 10K JA 1/10W
R506	401 162 2216	MT-GLAZE 10 JA 1/10W	R5870	401 150 6011	MT-GLAZE 0.000 ZA 1/10W
R507	401 150 6011	MT-GLAZE 0.000 ZA 1/10W	R5871	401 035 4118	MT-GLAZE 0.000 ZA 1/8W
R508	401 150 6011	MT-GLAZE 0.000 ZA 1/10W	R5872	401 150 6011	MT-GLAZE 0.000 ZA 1/10W
R512	401 150 6219	MT-GLAZE 1K JA 1/10W	R5873	401 150 6011	MT-GLAZE 0.000 ZA 1/10W
R513	401 162 2216	MT-GLAZE 10 JA 1/10W	R5874	401 150 6011	MT-GLAZE 0.000 ZA 1/10W
R514	401 150 6219	MT-GLAZE 1K JA 1/10W	R5876	401 150 5915	MT-GLAZE 10K JA 1/10W
R518	401 150 6219	MT-GLAZE 1K JA 1/10W	R5877	401 150 5915	MT-GLAZE 10K JA 1/10W
R531	401 150 6011	MT-GLAZE 0.000 ZA 1/10W	R5881	401 035 4118	MT-GLAZE 0.000 ZA 1/8W
R532	401 150 6011	MT-GLAZE 0.000 ZA 1/10W	R5882	401 150 6011	MT-GLAZE 0.000 ZA 1/10W

Electrical Parts List

Key No.	Part No.	Description	Key No.	Part No.	Description
R5883	401 150 6011	MT-GLAZE 0.000 ZA 1/10W	R7820	401 162 4111	MT-GLAZE 5.6K JA 1/10W
R5884	401 150 6011	MT-GLAZE 0.000 ZA 1/10W	R7821	401 150 6011	MT-GLAZE 0.000 ZA 1/10W
R5885	401 150 6011	MT-GLAZE 0.000 ZA 1/10W	R7822	401 150 6011	MT-GLAZE 0.000 ZA 1/10W
R5886	401 150 6011	MT-GLAZE 0.000 ZA 1/10W	R7823	401 150 6011	MT-GLAZE 0.000 ZA 1/10W
R5887	401 150 6011	MT-GLAZE 0.000 ZA 1/10W	R7824	401 150 6011	MT-GLAZE 0.000 ZA 1/10W
R5894	401 150 5915	MT-GLAZE 10K JA 1/10W	R7825	401 256 7318	MT-GLAZE 6.8K JA 1/10W
R5895	401 150 5915	MT-GLAZE 10K JA 1/10W	R7826	401 255 5810	MT-GLAZE 2K JA 1/10W
R5896	401 150 5915	MT-GLAZE 10K JA 1/10W	R7827	401 256 7318	MT-GLAZE 6.8K JA 1/10W
R5897	401 150 5915	MT-GLAZE 10K JA 1/10W	R7828	401 255 5810	MT-GLAZE 2K JA 1/10W
R5898	401 150 5915	MT-GLAZE 10K JA 1/10W	R7829	401 256 7318	MT-GLAZE 6.8K JA 1/10W
R5899	401 150 5915	MT-GLAZE 10K JA 1/10W	R7830	401 255 5810	MT-GLAZE 2K JA 1/10W
R6301	401 162 2216	MT-GLAZE 10 JA 1/10W	R7831	401 256 7318	MT-GLAZE 6.8K JA 1/10W
R6321	401 162 2216	MT-GLAZE 10 JA 1/10W	R7832	401 255 5810	MT-GLAZE 2K JA 1/10W
R6341	401 162 2216	MT-GLAZE 10 JA 1/10W	R7835	401 290 1518	MT-GLAZE 0.1 JE 1/2W
R6361	401 162 2216	MT-GLAZE 10 JA 1/10W	R7836	401 290 1518	MT-GLAZE 0.1 JE 1/2W
R6733	401 150 6011	MT-GLAZE 0.000 ZA 1/10W	R7837	401 290 1518	MT-GLAZE 0.1 JE 1/2W
R6741	401 150 6011	MT-GLAZE 0.000 ZA 1/10W	R7838	401 290 1518	MT-GLAZE 0.1 JE 1/2W
R6742	401 150 6011	MT-GLAZE 0.000 ZA 1/10W	R7841	401 162 2216	MT-GLAZE 10 JA 1/10W
R6743	401 150 6011	MT-GLAZE 0.000 ZA 1/10W	R7842	401 162 2216	MT-GLAZE 10 JA 1/10W
R6744	401 150 6011	MT-GLAZE 0.000 ZA 1/10W	R7843	401 150 6011	MT-GLAZE 0.000 ZA 1/10W
R6745	401 255 6510	MT-GLAZE 100 JA 1/10W	R7844	401 150 6011	MT-GLAZE 0.000 ZA 1/10W
R6746	401 150 6011	MT-GLAZE 0.000 ZA 1/10W	R7845	401 150 6011	MT-GLAZE 0.000 ZA 1/10W
R6747	401 255 6510	MT-GLAZE 100 JA 1/10W	R7846	401 150 6011	MT-GLAZE 0.000 ZA 1/10W
R6748	401 150 6011	MT-GLAZE 0.000 ZA 1/10W	R7850	401 150 5915	MT-GLAZE 10K JA 1/10W
R6749	401 255 6510	MT-GLAZE 100 JA 1/10W	R7851	401 150 5915	MT-GLAZE 10K JA 1/10W
R6750	401 150 6011	MT-GLAZE 0.000 ZA 1/10W	R7852	401 150 5915	MT-GLAZE 10K JA 1/10W
R6751	401 150 6011	MT-GLAZE 0.000 ZA 1/10W	R7857	401 255 6510	MT-GLAZE 100 JA 1/10W
R6752	401 150 6011	MT-GLAZE 0.000 ZA 1/10W	R7858	401 255 6510	MT-GLAZE 100 JA 1/10W
R6753	401 150 6011	MT-GLAZE 0.000 ZA 1/10W	R7859	401 255 6510	MT-GLAZE 100 JA 1/10W
R6754	401 150 6011	MT-GLAZE 0.000 ZA 1/10W	R7860	401 255 6510	MT-GLAZE 100 JA 1/10W
R6755	401 255 6510	MT-GLAZE 100 JA 1/10W	R7861	401 150 5915	MT-GLAZE 10K JA 1/10W
R6756	401 150 6011	MT-GLAZE 0.000 ZA 1/10W	R7862	401 280 7919	MT-GLAZE 270 JA 1/3W
R6757	401 150 6011	MT-GLAZE 0.000 ZA 1/10W	R7863	401 035 4118	MT-GLAZE 0.000 ZA 1/8W
R6758	401 150 6011	MT-GLAZE 0.000 ZA 1/10W	R7864	401 150 5915	MT-GLAZE 10K JA 1/10W
R6759	401 150 6011	MT-GLAZE 0.000 ZA 1/10W	R7866	401 150 5915	MT-GLAZE 10K JA 1/10W
R6760	401 150 6011	MT-GLAZE 0.000 ZA 1/10W	R7867	401 150 5915	MT-GLAZE 10K JA 1/10W
R6761	401 150 6011	MT-GLAZE 0.000 ZA 1/10W	R7868	401 150 5915	MT-GLAZE 10K JA 1/10W
R6762	401 150 6011	MT-GLAZE 0.000 ZA 1/10W	R802	401 162 3718	MT-GLAZE 4.7K JA 1/10W
R6763	401 150 6011	MT-GLAZE 0.000 ZA 1/10W	R803	401 150 6011	MT-GLAZE 0.000 ZA 1/10W
R6764	401 150 6011	MT-GLAZE 0.000 ZA 1/10W	R804	401 150 6011	MT-GLAZE 0.000 ZA 1/10W
R6765	401 150 6011	MT-GLAZE 0.000 ZA 1/10W	R805	401 150 6011	MT-GLAZE 0.000 ZA 1/10W
R6766	401 150 6011	MT-GLAZE 0.000 ZA 1/10W	R806	401 150 6011	MT-GLAZE 0.000 ZA 1/10W
R6767	401 150 6011	MT-GLAZE 0.000 ZA 1/10W	R808	401 150 6011	MT-GLAZE 0.000 ZA 1/10W
R6768	401 150 6011	MT-GLAZE 0.000 ZA 1/10W	R809	401 162 2216	MT-GLAZE 10 JA 1/10W
R6773	401 150 6011	MT-GLAZE 0.000 ZA 1/10W	R810	401 150 6011	MT-GLAZE 0.000 ZA 1/10W
R6774	401 150 6011	MT-GLAZE 0.000 ZA 1/10W	R811	401 150 6011	MT-GLAZE 0.000 ZA 1/10W
R6778	401 150 6011	MT-GLAZE 0.000 ZA 1/10W	R812	401 150 5915	MT-GLAZE 10K JA 1/10W
R6779	401 150 6011	MT-GLAZE 0.000 ZA 1/10W	R813	401 162 2216	MT-GLAZE 10 JA 1/10W
R7327	401 255 8712	MT-GLAZE 22 JA 1/10W	R815	401 150 6011	MT-GLAZE 0.000 ZA 1/10W
R7328	401 255 8712	MT-GLAZE 22 JA 1/10W	R817	401 150 6011	MT-GLAZE 0.000 ZA 1/10W
R7329	401 255 8712	MT-GLAZE 22 JA 1/10W	R818	401 150 5915	MT-GLAZE 10K JA 1/10W
R7367	401 255 8712	MT-GLAZE 22 JA 1/10W	R820	401 150 6011	MT-GLAZE 0.000 ZA 1/10W
R7368	401 255 8712	MT-GLAZE 22 JA 1/10W	R821	401 162 3718	MT-GLAZE 4.7K JA 1/10W
R7370	401 255 8712	MT-GLAZE 22 JA 1/10W	R822	401 150 6011	MT-GLAZE 0.000 ZA 1/10W
R7371	401 150 6011	MT-GLAZE 0.000 ZA 1/10W	R8225	401 162 2216	MT-GLAZE 10 JA 1/10W
R7372	401 150 6011	MT-GLAZE 0.000 ZA 1/10W	R823	401 162 3718	MT-GLAZE 4.7K JA 1/10W
R7373	401 150 6011	MT-GLAZE 0.000 ZA 1/10W	R824	401 152 3216	MT-GLAZE 330 JA 1/10W
R7374	401 150 6011	MT-GLAZE 0.000 ZA 1/10W	R825	401 162 3015	MT-GLAZE 22K JA 1/10W
R7375	401 150 6011	MT-GLAZE 0.000 ZA 1/10W	R8252	403 153 9112	CERAMIC 5P C 50V
R7376	401 150 6011	MT-GLAZE 0.000 ZA 1/10W	R8253	401 150 6011	MT-GLAZE 0.000 ZA 1/10W
R7377	401 255 8712	MT-GLAZE 22 JA 1/10W	R8254	401 150 6011	MT-GLAZE 0.000 ZA 1/10W
R7378	401 150 6011	MT-GLAZE 0.000 ZA 1/10W	R8255	401 150 6011	MT-GLAZE 0.000 ZA 1/10W
R7379	401 150 6011	MT-GLAZE 0.000 ZA 1/10W	R8256	401 150 6011	MT-GLAZE 0.000 ZA 1/10W
R7801	401 150 6219	MT-GLAZE 1K JA 1/10W	R8257	401 150 6011	MT-GLAZE 0.000 ZA 1/10W
R7802	401 150 6219	MT-GLAZE 1K JA 1/10W	R8258	401 150 6011	MT-GLAZE 0.000 ZA 1/10W
R7803	401 150 6219	MT-GLAZE 1K JA 1/10W	R8259	401 150 6011	MT-GLAZE 0.000 ZA 1/10W
R7804	401 150 6219	MT-GLAZE 1K JA 1/10W	R8261	401 150 6011	MT-GLAZE 0.000 ZA 1/10W
R7809	401 150 6219	MT-GLAZE 1K JA 1/10W	R8262	401 150 6011	MT-GLAZE 0.000 ZA 1/10W
R7810	401 150 6219	MT-GLAZE 1K JA 1/10W	R827	401 162 3015	MT-GLAZE 22K JA 1/10W
R7811	401 150 6219	MT-GLAZE 1K JA 1/10W	R829	401 256 0012	MT-GLAZE 120 JA 1/10W
R7812	401 150 6219	MT-GLAZE 1K JA 1/10W	R830	401 162 2216	MT-GLAZE 10 JA 1/10W
R7813	401 290 1518	MT-GLAZE 0.1 JE 1/2W	R831	401 162 3619	MT-GLAZE 470 JA 1/10W
R7814	401 162 4111	MT-GLAZE 5.6K JA 1/10W	R832	401 150 5915	MT-GLAZE 10K JA 1/10W
R7815	401 290 1518	MT-GLAZE 0.1 JE 1/2W	R833	401 255 6510	MT-GLAZE 100 JA 1/10W
R7816	401 162 4111	MT-GLAZE 5.6K JA 1/10W	R834	401 162 3718	MT-GLAZE 4.7K JA 1/10W
R7817	401 290 1518	MT-GLAZE 0.1 JE 1/2W	R835	401 255 6510	MT-GLAZE 100 JA 1/10W
R7818	401 162 4111	MT-GLAZE 5.6K JA 1/10W	R836	401 255 6510	MT-GLAZE 100 JA 1/10W
R7819	401 290 1518	MT-GLAZE 0.1 JE 1/2W	R837	401 255 6510	MT-GLAZE 100 JA 1/10W

Electrical Parts List

KF6-XT4U00
LF6-XT4E00

Key No.	Part No.	Description	Key No.	Part No.	Description
R838	401 255 6510	MT-GLAZE 100 JA 1/10W	R9846	401 150 5915	MT-GLAZE 10K JA 1/10W
R839	401 162 3718	MT-GLAZE 4.7K JA 1/10W	RB1501	645 036 3528	R-NETWORK 0X4 1/32W
R840	401 150 5915	MT-GLAZE 10K JA 1/10W		645 037 0816	R-NETWORK 0X4 1/32W
R841	401 162 3718	MT-GLAZE 4.7K JA 1/10W	RB1531	645 036 3528	R-NETWORK 0X4 1/32W
R842	401 162 3718	MT-GLAZE 4.7K JA 1/10W		645 037 0816	R-NETWORK 0X4 1/32W
R843	401 162 3718	MT-GLAZE 4.7K JA 1/10W	RB1561	645 036 3528	R-NETWORK 0X4 1/32W
R844	401 150 6219	MT-GLAZE 1K JA 1/10W		645 037 0816	R-NETWORK 0X4 1/32W
R845	401 150 6219	MT-GLAZE 1K JA 1/10W	RB2301	645 036 0985	R-NETWORK 47X4 1/32W
R846	401 150 6219	MT-GLAZE 1K JA 1/10W		645 037 0830	R-NETWORK 47X4 1/32W
R847	401 256 7219	MT-GLAZE 18K JA 1/10W	RB2302	645 036 0985	R-NETWORK 47X4 1/32W
R848	401 150 5915	MT-GLAZE 10K JA 1/10W		645 037 0830	R-NETWORK 47X4 1/32W
R849	401 255 6510	MT-GLAZE 100 JA 1/10W	RB2303	645 036 0985	R-NETWORK 47X4 1/32W
R850	401 162 3015	MT-GLAZE 22K JA 1/10W		645 037 0830	R-NETWORK 47X4 1/32W
R851	401 150 5915	MT-GLAZE 10K JA 1/10W	RB2304	645 036 0985	R-NETWORK 47X4 1/32W
R852	401 150 5915	MT-GLAZE 10K JA 1/10W		645 037 0830	R-NETWORK 47X4 1/32W
R853	401 162 3015	MT-GLAZE 22K JA 1/10W	RB2305	645 036 0985	R-NETWORK 47X4 1/32W
R854	401 162 3015	MT-GLAZE 22K JA 1/10W		645 037 0830	R-NETWORK 47X4 1/32W
R855	401 162 3015	MT-GLAZE 22K JA 1/10W	RB2306	645 036 0985	R-NETWORK 47X4 1/32W
R856	401 162 3015	MT-GLAZE 22K JA 1/10W		645 037 0830	R-NETWORK 47X4 1/32W
R857	401 162 3718	MT-GLAZE 4.7K JA 1/10W	RB2307	645 036 0985	R-NETWORK 47X4 1/32W
R858	401 162 3718	MT-GLAZE 4.7K JA 1/10W		645 037 0830	R-NETWORK 47X4 1/32W
R860	401 162 2216	MT-GLAZE 10 JA 1/10W	RB2308	645 036 0985	R-NETWORK 47X4 1/32W
R861	401 255 6510	MT-GLAZE 100 JA 1/10W		645 037 0830	R-NETWORK 47X4 1/32W
R862	401 162 3718	MT-GLAZE 4.7K JA 1/10W	RB2309	645 036 0985	R-NETWORK 47X4 1/32W
R863	401 162 3718	MT-GLAZE 4.7K JA 1/10W		645 037 0830	R-NETWORK 47X4 1/32W
R864	401 255 6510	MT-GLAZE 100 JA 1/10W	RB2311	645 036 0985	R-NETWORK 47X4 1/32W
R865	401 255 6510	MT-GLAZE 100 JA 1/10W		645 037 0830	R-NETWORK 47X4 1/32W
R866	401 162 2810	MT-GLAZE 1.8K JA 1/10W	RB2312	645 036 0985	R-NETWORK 47X4 1/32W
R867	401 162 3114	MT-GLAZE 3.3K JA 1/10W		645 037 0830	R-NETWORK 47X4 1/32W
R868	401 150 6011	MT-GLAZE 0.000 ZA 1/10W	RB2313	645 036 0985	R-NETWORK 47X4 1/32W
R869	401 256 0418	MT-GLAZE 12K JA 1/10W		645 037 0830	R-NETWORK 47X4 1/32W
R870	401 150 6011	MT-GLAZE 0.000 ZA 1/10W	RB2314	645 036 3528	R-NETWORK 0X4 1/32W
R871	401 150 6011	MT-GLAZE 0.000 ZA 1/10W		645 037 0816	R-NETWORK 0X4 1/32W
R873	401 150 5915	MT-GLAZE 10K JA 1/10W	RB2315	645 036 3528	R-NETWORK 0X4 1/32W
R875	401 150 5915	MT-GLAZE 10K JA 1/10W		645 037 0816	R-NETWORK 0X4 1/32W
R876	401 150 6011	MT-GLAZE 0.000 ZA 1/10W	RB2316	645 036 3528	R-NETWORK 0X4 1/32W
R877	401 162 3718	MT-GLAZE 4.7K JA 1/10W		645 037 0816	R-NETWORK 0X4 1/32W
R878	401 255 6510	MT-GLAZE 100 JA 1/10W	RB2317	645 036 3528	R-NETWORK 0X4 1/32W
R879	401 150 6219	MT-GLAZE 1K JA 1/10W		645 037 0816	R-NETWORK 0X4 1/32W
R880	401 150 6011	MT-GLAZE 0.000 ZA 1/10W	RB2318	645 036 3528	R-NETWORK 0X4 1/32W
R881	401 256 5314	MT-GLAZE 56K JA 1/10W		645 037 0816	R-NETWORK 0X4 1/32W
R882	401 150 6011	MT-GLAZE 0.000 ZA 1/10W	RB2319	645 036 3528	R-NETWORK 0X4 1/32W
R885	401 162 2216	MT-GLAZE 10 JA 1/10W		645 037 0816	R-NETWORK 0X4 1/32W
R886	401 150 6219	MT-GLAZE 1K JA 1/10W	RB2321	645 036 3528	R-NETWORK 0X4 1/32W
R887	401 162 3718	MT-GLAZE 4.7K JA 1/10W		645 037 0816	R-NETWORK 0X4 1/32W
R888	401 162 2216	MT-GLAZE 10 JA 1/10W	RB2322	645 036 3528	R-NETWORK 0X4 1/32W
R889	401 162 3718	MT-GLAZE 4.7K JA 1/10W		645 037 0816	R-NETWORK 0X4 1/32W
R890	401 150 5915	MT-GLAZE 10K JA 1/10W	RB2323	645 036 3528	R-NETWORK 0X4 1/32W
R891	401 150 5915	MT-GLAZE 10K JA 1/10W		645 037 0816	R-NETWORK 0X4 1/32W
R893	401 150 5915	MT-GLAZE 10K JA 1/10W	RB2324	645 036 3528	R-NETWORK 0X4 1/32W
R894	401 162 2216	MT-GLAZE 10 JA 1/10W		645 037 0816	R-NETWORK 0X4 1/32W
R895	401 150 5915	MT-GLAZE 10K JA 1/10W	RB2325	645 036 3528	R-NETWORK 0X4 1/32W
R896	401 150 5915	MT-GLAZE 10K JA 1/10W		645 037 0816	R-NETWORK 0X4 1/32W
R898	401 150 6011	MT-GLAZE 0.000 ZA 1/10W	RB2326	645 036 3528	R-NETWORK 0X4 1/32W
R9801	401 256 3815	MT-GLAZE 1.5K JA 1/10W		645 037 0816	R-NETWORK 0X4 1/32W
R9803	401 255 6015	MT-GLAZE 1M JA 1/10W	RB2331	645 036 3528	R-NETWORK 0X4 1/32W
R9804	401 255 6510	MT-GLAZE 100 JA 1/10W		645 037 0816	R-NETWORK 0X4 1/32W
R9805	401 255 6510	MT-GLAZE 100 JA 1/10W	RB2332	645 036 3528	R-NETWORK 0X4 1/32W
R9806	401 255 6510	MT-GLAZE 100 JA 1/10W		645 037 0816	R-NETWORK 0X4 1/32W
R9807	401 255 6510	MT-GLAZE 100 JA 1/10W	RB2333	645 036 3528	R-NETWORK 0X4 1/32W
R9809	401 150 6011	MT-GLAZE 0.000 ZA 1/10W		645 037 0816	R-NETWORK 0X4 1/32W
R9813	401 150 5816	MT-GLAZE 100K JA 1/10W	RB2334	645 036 3528	R-NETWORK 0X4 1/32W
R9823	401 150 6011	MT-GLAZE 0.000 ZA 1/10W		645 037 0816	R-NETWORK 0X4 1/32W
R9824	401 150 6011	MT-GLAZE 0.000 ZA 1/10W	RB2335	645 036 3528	R-NETWORK 0X4 1/32W
R9825	401 150 6011	MT-GLAZE 0.000 ZA 1/10W		645 037 0816	R-NETWORK 0X4 1/32W
R9826	401 162 2414	MT-GLAZE 1.2K JA 1/10W	RB2336	645 036 3528	R-NETWORK 0X4 1/32W
R9827	401 150 6011	MT-GLAZE 0.000 ZA 1/10W		645 037 0816	R-NETWORK 0X4 1/32W
R9829	401 150 6110	MT-GLAZE 2.2K JA 1/10W	RB301	645 036 0978	R-NETWORK 10KX4 1/32W
R9830	401 150 6011	MT-GLAZE 0.000 ZA 1/10W		645 028 0719	R-NETWORK 10KX4 1/32W
R9831	401 162 2414	MT-GLAZE 1.2K JA 1/10W	RB331	645 085 7645	R-NETWORK 680X4 1/32W
R9832	401 150 6110	MT-GLAZE 2.2K JA 1/10W		645 037 4395	R-NETWORK 680X4 1/32W
R9835	401 150 6011	MT-GLAZE 0.000 ZA 1/10W	RB332	645 085 7645	R-NETWORK 680X4 1/32W
R9836	401 150 6011	MT-GLAZE 0.000 ZA 1/10W		645 037 4395	R-NETWORK 680X4 1/32W
R9837	401 150 6011	MT-GLAZE 0.000 ZA 1/10W	RB333	645 085 7645	R-NETWORK 680X4 1/32W
R9840	401 150 5915	MT-GLAZE 10K JA 1/10W		645 037 4395	R-NETWORK 680X4 1/32W
R9842	401 162 2414	MT-GLAZE 1.2K JA 1/10W	RB334	645 085 7645	R-NETWORK 680X4 1/32W
R9843	401 162 2414	MT-GLAZE 1.2K JA 1/10W		645 037 4395	R-NETWORK 680X4 1/32W
R9844	401 150 6011	MT-GLAZE 0.000 ZA 1/10W	RB335	645 085 7645	R-NETWORK 680X4 1/32W

Electrical Parts List

Key No.	Part No.	Description	Key No.	Part No.	Description
C651	403 410 7031	ELECT 2200U M 16V	DIODE		
C652	403 164 0214	CERAMIC 0.1U Z 25V	D2661	407 149 0817	DIODE 1SS355-TE-17
C653	403 369 2419	ELECT 2700U M 25V	D2663	407 149 0817	DIODE 1SS355-TE-17
C654	403 369 2419	ELECT 2700U M 25V	D2664	407 149 0817	DIODE 1SS355-TE-17
C655	403 164 0214	CERAMIC 0.1U Z 25V	EXH FANNET BOARD		
C656	403 164 0214	CERAMIC 0.1U Z 25V	△	610 328 7164	ASSY,PWB,EXH FANNET KF6A
C657	403 431 2623	ELECT 3300U M 10V	RESISTOR		
	403 313 6418	ELECT 3300U M 10V	R2670	401 150 6011	MT-GLAZE 0.000 ZA 1/10W
C658	403 358 7319	ELECT 470U M 10V	R2671	401 150 5915	MT-GLAZE 10K JA 1/10W
C659	403 431 2623	ELECT 3300U M 10V	R2672	401 150 5915	MT-GLAZE 10K JA 1/10W
	403 313 6418	ELECT 3300U M 10V	R2673	401 150 5915	MT-GLAZE 10K JA 1/10W
C661	403 431 2623	ELECT 3300U M 10V	R2674	401 150 5915	MT-GLAZE 10K JA 1/10W
	403 313 6418	ELECT 3300U M 10V	R2675	401 150 5915	MT-GLAZE 10K JA 1/10W
C662	403 431 2910	ELECT 4.7U M 50V	R2676	401 150 5915	MT-GLAZE 10K JA 1/10W
RESISTOR			R2677	401 150 6011	MT-GLAZE 0.000 ZA 1/10W
R600	401 008 8627	CARBON 220K JA 1/2W	R2679	401 150 6011	MT-GLAZE 0.000 ZA 1/10W
R601	402 078 5701	WIRE WOUND 3.9 JA 7W	R2684	401 150 6011	MT-GLAZE 0.000 ZA 1/10W
R605	401 068 1501	OXIDE-MT 4.7 JA 2W	DIODE		
R606	401 263 0111	MT-GLAZE 100K JA 1W	D2671	407 149 0817	DIODE 1SS355-TE-17
R607	401 263 0111	MT-GLAZE 100K JA 1W	D2672	407 149 0817	DIODE 1SS355-TE-17
R608	401 263 0111	MT-GLAZE 100K JA 1W	D2673	407 149 0817	DIODE 1SS355-TE-17
R609	401 263 0111	MT-GLAZE 100K JA 1W	D2674	407 149 0817	DIODE 1SS355-TE-17
R611	401 069 4402	OXIDE-MT 68K JA 2W	D2675	407 149 0817	DIODE 1SS355-TE-17
R612	401 069 4402	OXIDE-MT 68K JA 2W	D2676	407 149 0817	DIODE 1SS355-TE-17
R614	401 240 7218	MT-GLAZE 33 JA 1/3W	RGB IN FANNET BOARD		
R615	401 162 4012	MT-GLAZE 560 JA 1/10W	△	610 328 7157	ASSY,PWB,RGB IN FANNET KF6A
R616	401 260 4211	MT-GLAZE 82 JA 1/3W	CAPACITOR		
R617	401 150 6219	MT-GLAZE 1K JA 1/10W	C2651	403 164 0214	CERAMIC 0.1U Z 25V
R618	401 150 5915	MT-GLAZE 10K JA 1/10W	C2652	403 157 2911	CERAMIC 47P J 50V
R619	402 079 7803	FUSIBLE RES 22 JH 1/4W	C2653	403 215 1016	CERAMIC 470P J 50V
R621	401 166 0812	MT-GLAZE 330 JA 1/2W	C2654	403 113 3815	CERAMIC 1000P K 50V
R622	402 080 7809	MT-GLAZE 150 KA 1W	C2655	403 157 2911	CERAMIC 47P J 50V
R623	402 080 7908	MT-GLAZE 180 KA 1W	C2656	403 164 0214	CERAMIC 0.1U Z 25V
R653	401 162 4012	MT-GLAZE 560 JA 1/10W	RESISTOR		
R654	401 162 2216	MT-GLAZE 10 JA 1/10W	R2651	401 150 5915	MT-GLAZE 10K JA 1/10W
R655	401 150 6219	MT-GLAZE 1K JA 1/10W	R2652	401 150 5915	MT-GLAZE 10K JA 1/10W
R656	402 079 7704	FUSIBLE RES 1.0 JH 1/4W	R2653	401 150 5915	MT-GLAZE 10K JA 1/10W
R657	401 256 5611	MT-GLAZE 47 JA 1/10W	R2654	401 150 5915	MT-GLAZE 10K JA 1/10W
R658	424 006 1500	FUSE 250V 2.5A	DIODE		
VARIABLE RESISTOR			D2651	407 149 0817	DIODE 1SS355-TE-17
VR652	645 002 3521	VR,SEMI,470 S	D2652	407 149 0817	DIODE 1SS355-TE-17
TRANSFORMER			D2653	407 149 0817	DIODE 1SS355-TE-17
△T621	645 043 3832	TRANS,POWER,PULSE	D2654	407 149 0817	DIODE 1SS355-TE-17
COIL			F-G NET BOARD		
△L611	645 047 0493	INDUCTOR,4M	△	610 328 7119	ASSY,PWB,F-G NET KF6A
DIODE			This ass'y has PWB and plugs only.		
D601	407 009 6921	DIODE RM11CV1	AC NET BOARD		
D602	407 009 6921	DIODE RM11CV1	△	610 328 7195	ASSY,PWB,AC NET KF6A
D603	407 009 6921	DIODE RM11CV1	This ass'y has PWB and plugs only.		
D611	407 190 4116	DIODE SFPL-52V	MOTOR&AUDIO BOARD		
D612	407 075 5303	DIODE ERA38-06	△	610 328 7409	ASSY,PWB,MOTOR&AUDIO KF6A
D613	407 190 4116	DIODE SFPL-52V	TRANSISTOR		
D651	407 202 9808	DIODE FMB-26L	Q1641	405 014 4519	TR 2SC2412K T146 R
D652	407 164 2206	DIODE FMB-24L		405 014 4618	TR 2SC2412K T146 S
D653	407 190 4116	DIODE SFPL-52V		405 015 8724	TR 2SC2812-L6-TB
D655	407 164 2206	DIODE FMB-24L		405 015 8922	TR 2SC2812-L7-TB
△DB601	407 141 1000	DIODE RBV-408		405 163 1612	TR 2SC2812N-L6-TB0
DS601	407 231 3501	THYRISTOR CR12CM-12A	Q1642	405 014 4519	TR 2SC2412K T146 R
DZ611	407 175 2816	ZD 02CZ12Y (TE85R)		405 014 4618	TR 2SC2412K T146 S
DZ655	407 198 6617	ZD 02CZ6.8Z (TE85R)		405 015 8724	TR 2SC2812-L6-TB
MISCELLANEOUS				405 015 8922	TR 2SC2812-L7-TB
△PC611	408 014 9703	PC CNY17F-3OPT1+6		405 163 1612	TR 2SC2812N-L6-TB0
	408 016 8803	PC PC113 (VDE0884)		405 014 4519	TR 2SC2412K T146 R
△PC612	408 014 9703	PC CNY17F-3OPT1+6		405 014 4618	TR 2SC2412K T146 S
	408 016 8803	PC PC113 (VDE0884)		405 015 8724	TR 2SC2812-L6-TB
△VA601	408 018 9808	VARISTOR ENC471D-14AS		405 015 8922	TR 2SC2812-L7-TB
				405 163 1612	TR 2SC2812N-L6-TB0
PBS FANNET BOARD			INTEGRATED CIRCUIT		
△	610 328 7171	ASSY,PWB,PBS FANNET KF6A			
CAPACITOR					
C2661	403 164 0214	CERAMIC 0.1U Z 25V			
C2662	403 157 2911	CERAMIC 47P J 50V			
RESISTOR					
R2661	401 150 5915	MT-GLAZE 10K JA 1/10W			
R2663	401 150 5915	MT-GLAZE 10K JA 1/10W			
R2664	401 150 5915	MT-GLAZE 10K JA 1/10W			

Key No.	Part No.	Description	Key No.	Part No.	Description
IC1601	409 114 4803	IC LB1641	R6816	401 162 3718	MT-GLAZE 4.7K JA 1/10W
IC1611	409 114 4803	IC LB1641	R6817	401 256 5918	MT-GLAZE 2.7K JA 1/10W
IC1621	409 085 1900	IC LB1645N	R6818	401 162 2810	MT-GLAZE 1.8K JA 1/10W
IC1631	409 085 1900	IC LB1645N	R6819	401 256 3815	MT-GLAZE 1.5K JA 1/10W
CAPACITOR			R6821	401 162 3619	MT-GLAZE 470 JA 1/10W
C1602	403 215 2211	CERAMIC 0.01U K 50V	R6823	401 162 3015	MT-GLAZE 22K JA 1/10W
C1603	403 215 2211	CERAMIC 0.01U K 50V	R6824	401 256 3617	MT-GLAZE 15K JA 1/10W
C1612	403 215 2211	CERAMIC 0.01U K 50V	R6826	401 162 4111	MT-GLAZE 5.6K JA 1/10W
C1613	403 215 2211	CERAMIC 0.01U K 50V	R6827	401 162 3718	MT-GLAZE 4.7K JA 1/10W
C1622	403 215 2211	CERAMIC 0.01U K 50V	R6828	401 256 5918	MT-GLAZE 2.7K JA 1/10W
C1623	403 281 5215	CERAMIC 0.22U Z 16V	R6829	401 162 2810	MT-GLAZE 1.8K JA 1/10W
C1631	403 393 0016	ELECT 470U M 25V	R6831	401 256 3815	MT-GLAZE 1.5K JA 1/10W
C1632	403 215 2211	CERAMIC 0.01U K 50V	R6832	401 162 3619	MT-GLAZE 470 JA 1/10W
C1633	403 393 0016	ELECT 470U M 25V	DIODE		
C1634	403 215 2211	CERAMIC 0.01U K 50V	D6801	407 209 1211	ZD UDZS-TE-176.2B
C1642	403 215 2211	CERAMIC 0.01U K 50V	D6802	407 209 1211	ZD UDZS-TE-176.2B
C1643	403 281 5215	CERAMIC 0.22U Z 16V	D6803	407 209 1211	ZD UDZS-TE-176.2B
C1646	403 398 4514	ELECT 100U M 25V	D6804	407 209 1211	ZD UDZS-TE-176.2B
C1653	403 393 0016	ELECT 470U M 25V	MISCELLANEOUS		
C1654	403 215 2211	CERAMIC 0.01U K 50V	SW6801	645 025 3478	SWITCH,PUSH 1P-2TX1
C1656	403 393 0016	ELECT 470U M 25V	SW6802	645 025 3478	SWITCH,PUSH 1P-2TX1
C1893	403 164 0214	CERAMIC 0.1U Z 25V	SW6803	645 025 3478	SWITCH,PUSH 1P-2TX1
C1894	403 164 0214	CERAMIC 0.1U Z 25V	SW6804	645 025 3478	SWITCH,PUSH 1P-2TX1
C1895	403 164 0214	CERAMIC 0.1U Z 25V	SW6806	645 025 3478	SWITCH,PUSH 1P-2TX1
RESISTOR			SW6807	645 025 3478	SWITCH,PUSH 1P-2TX1
R1601	401 162 3114	MT-GLAZE 3.3K JA 1/10W	SW6809	645 025 3478	SWITCH,PUSH 1P-2TX1
R1602	401 162 3114	MT-GLAZE 3.3K JA 1/10W	SW6811	645 025 3478	SWITCH,PUSH 1P-2TX1
R1603	401 150 6219	MT-GLAZE 1K JA 1/10W	SW6812	645 025 3478	SWITCH,PUSH 1P-2TX1
R1611	401 162 3114	MT-GLAZE 3.3K JA 1/10W	SW6813	645 025 3478	SWITCH,PUSH 1P-2TX1
R1612	401 162 3114	MT-GLAZE 3.3K JA 1/10W	SW6814	645 025 3478	SWITCH,PUSH 1P-2TX1
R1613	401 150 6219	MT-GLAZE 1K JA 1/10W	SW6819	645 025 3478	SWITCH,PUSH 1P-2TX1
R1614	402 104 7303	WIRE WOUND 6.8 KA 3W	SW6821	645 025 3478	SWITCH,PUSH 1P-2TX1
R1621	401 162 3114	MT-GLAZE 3.3K JA 1/10W	SW6822	645 025 3478	SWITCH,PUSH 1P-2TX1
R1622	401 162 3114	MT-GLAZE 3.3K JA 1/10W	SW6824	645 025 3478	SWITCH,PUSH 1P-2TX1
R1623	401 150 6219	MT-GLAZE 1K JA 1/10W	SW6825	645 025 3478	SWITCH,PUSH 1P-2TX1
R1624	401 150 6011	MT-GLAZE 0.000 ZA 1/10W	FRONT LED BOARD		
R1631	401 162 3114	MT-GLAZE 3.3K JA 1/10W	△	610 328 7423	ASSY,PWB,FRONT LED KF6A
R1632	401 162 3114	MT-GLAZE 3.3K JA 1/10W	TRANSISTOR		
R1633	401 150 6219	MT-GLAZE 1K JA 1/10W	Q6851	405 134 5925	TR 2SA1037AK-T146-R
R1634	401 150 6011	MT-GLAZE 0.000 ZA 1/10W		405 147 2215	TR 2SA1037AK-S-T146
R1641	401 256 0111	MT-GLAZE 8.2K JA 1/10W		405 002 0318	TR 2SA1037K T146 R
R1642	401 150 5915	MT-GLAZE 10K JA 1/10W		405 002 0417	TR 2SA1037K T146 S
R1643	401 256 6311	MT-GLAZE 47K JA 1/10W		405 002 6726	TR 2SA1179-M6-TB
R1644	401 150 5915	MT-GLAZE 10K JA 1/10W		405 002 6924	TR 2SA1179-M7-TB
DIODE			Q6852	405 134 5925	TR 2SA1037AK-T146-R
D1601	407 206 6318	ZD UDZS-TE-175.1B		405 147 2215	TR 2SA1037AK-S-T146
D1603	407 149 0817	DIODE 1SS355-TE-17		405 002 0318	TR 2SA1037K T146 R
D1611	407 206 6318	ZD UDZS-TE-175.1B		405 002 0417	TR 2SA1037K T146 S
D1612	407 149 0817	DIODE 1SS355-TE-17		405 002 6726	TR 2SA1179-M6-TB
D1613	407 149 0817	DIODE 1SS355-TE-17		405 002 6924	TR 2SA1179-M7-TB
D1621	407 221 7116	ZENER DIODE UDZS-TE-1712B		405 163 1513	TR 2SA1179N-M6-TB
D1622	407 149 0817	DIODE 1SS355-TE-17	Q6853	405 134 5925	TR 2SA1037AK-T146-R
D1623	407 149 0817	DIODE 1SS355-TE-17		405 147 2215	TR 2SA1037AK-S-T146
D1631	407 221 7116	ZENER DIODE UDZS-TE-1712B		405 002 0318	TR 2SA1037K T146 R
D1632	407 149 0817	DIODE 1SS355-TE-17		405 002 0417	TR 2SA1037K T146 S
D1633	407 149 0817	DIODE 1SS355-TE-17		405 002 6726	TR 2SA1179-M6-TB
D1641	407 221 7116	ZENER DIODE UDZS-TE-1712B		405 002 6924	TR 2SA1179-M7-TB
CONTROL BOARD				405 163 1513	TR 2SA1179N-M6-TB
△	610 328 7416	ASSY,PWB,CONTROL KF6A	Q6854	405 134 5925	TR 2SA1037AK-T146-R
CAPACITOR				405 147 2215	TR 2SA1037AK-S-T146
C6801	403 298 9619	CERAMIC 0.1U K 16V		405 002 0318	TR 2SA1037K T146 R
C6802	403 298 9619	CERAMIC 0.1U K 16V		405 002 0417	TR 2SA1037K T146 S
C6803	403 298 9619	CERAMIC 0.1U K 16V		405 002 6726	TR 2SA1179-M6-TB
RESISTOR				405 002 6924	TR 2SA1179-M7-TB
R6801	401 162 3015	MT-GLAZE 22K JA 1/10W		405 163 1513	TR 2SA1179N-M6-TB
R6802	401 256 3617	MT-GLAZE 15K JA 1/10W	RESISTOR		
R6803	401 162 4111	MT-GLAZE 5.6K JA 1/10W	R6851	401 162 3619	MT-GLAZE 470 JA 1/10W
R6804	401 162 3718	MT-GLAZE 4.7K JA 1/10W	R6852	401 162 3619	MT-GLAZE 470 JA 1/10W
R6806	401 256 5918	MT-GLAZE 2.7K JA 1/10W	R6853	401 162 3619	MT-GLAZE 470 JA 1/10W
R6807	401 162 2810	MT-GLAZE 1.8K JA 1/10W	R6854	401 162 3619	MT-GLAZE 470 JA 1/10W
R6808	401 256 3815	MT-GLAZE 1.5K JA 1/10W	R6855	401 162 3619	MT-GLAZE 470 JA 1/10W
R6809	401 162 3619	MT-GLAZE 470 JA 1/10W	R6856	401 162 3619	MT-GLAZE 470 JA 1/10W
R6812	401 162 3015	MT-GLAZE 22K JA 1/10W	R6857	401 162 3619	MT-GLAZE 470 JA 1/10W
R6813	401 256 3617	MT-GLAZE 15K JA 1/10W	R6858	401 162 3619	MT-GLAZE 470 JA 1/10W
R6814	401 162 4111	MT-GLAZE 5.6K JA 1/10W			

Electrical Parts List

Key No.	Part No.	Description	Key No.	Part No.	Description
R6861	401 255 6510	MT-GLAZE 100 JA 1/10W			
R6862	401 150 6110	MT-GLAZE 2.2K JA 1/10W			
R6863	401 255 6510	MT-GLAZE 100 JA 1/10W			
R6864	401 150 6110	MT-GLAZE 2.2K JA 1/10W			
R6865	401 255 6510	MT-GLAZE 100 JA 1/10W			
R6866	401 150 6110	MT-GLAZE 2.2K JA 1/10W			
R6867	401 255 6510	MT-GLAZE 100 JA 1/10W			
R6868	401 150 6110	MT-GLAZE 2.2K JA 1/10W			
DIODE					
D6851	407 196 9907	LED SEL4828A			
D6852	407 196 9709	LED SEL4228C			
D6853	407 196 9808	LED SEL4428E			
D6854	407 196 9709	LED SEL4228C			
D6855	407 209 1211	ZD UDZS-TE-176.2B			
D6856	407 209 1211	ZD UDZS-TE-176.2B			
D6857	407 209 1211	ZD UDZS-TE-176.2B			
D6858	407 209 1211	ZD UDZS-TE-176.2B			
D6859	407 209 1211	ZD UDZS-TE-176.2B			
R/C1 BOARD					
△	610 328 7430	ASSY,PWB,R/C1 KF6A			
CAPACITOR					
C6841	403 348 5823	CERAMIC 0.47U K 10V			
C6842	403 348 5823	CERAMIC 0.47U K 10V			
RESISTOR					
R6842	401 255 6510	MT-GLAZE 100 JA 1/10W			
DIODE					
D6841	407 221 7116	ZENER DIODE UDZS-TE-1712B			
D6842	407 225 0212	DIODE RB751S-40			
MISCELLANEOUS					
A6841	645 064 5914	UNIT,REMOCON RECEIVER			
R/C2 BOARD					
△	610 328 7447	ASSY,PWB,R/C2 KF6A			
CAPACITOR					
C6846	403 348 5823	CERAMIC 0.47U K 10V			
C6847	403 348 5823	CERAMIC 0.47U K 10V			
RESISTOR					
R6847	401 255 6510	MT-GLAZE 100 JA 1/10W			
DIODE					
D6846	407 221 7116	ZENER DIODE UDZS-TE-1712B			
D6847	407 225 0212	DIODE RB751S-40			
MISCELLANEOUS					
A6846	645 064 5914	UNIT,REMOCON RECEIVER			
NET BOARD					
△	610 328 7461	ASSY,PWB,NET KF6A			
This ass'y has PWB and plugs only.					
REAR LED BOARD					
△	610 328 7478	ASSY,PWB,REAR LED KF6A			
TRANSISTOR					
Q6871	405 134 5925	TR 2SA1037AK-T146-R			
	405 147 2215	TR 2SA1037AK-S-T146			
	405 002 0318	TR 2SA1037K T146 R			
	405 002 0417	TR 2SA1037K T146 S			
	405 002 6726	TR 2SA1179-M6-TB			
	405 002 6924	TR 2SA1179-M7-TB			
	405 163 1513	TR 2SA1179N-M6-TB			
Q6872	405 134 5925	TR 2SA1037AK-T146-R			
	405 147 2215	TR 2SA1037AK-S-T146			
	405 002 0318	TR 2SA1037K T146 R			
	405 002 0417	TR 2SA1037K T146 S			
	405 002 6726	TR 2SA1179-M6-TB			
	405 002 6924	TR 2SA1179-M7-TB			
	405 163 1513	TR 2SA1179N-M6-TB			
Q6873	405 134 5925	TR 2SA1037AK-T146-R			
	405 147 2215	TR 2SA1037AK-S-T146			
	405 002 0318	TR 2SA1037K T146 R			
	405 002 0417	TR 2SA1037K T146 S			
	405 002 6726	TR 2SA1179-M6-TB			
	405 002 6924	TR 2SA1179-M7-TB			
	405 163 1513	TR 2SA1179N-M6-TB			
Q6874	405 134 5925	TR 2SA1037AK-T146-R			
	405 147 2215	TR 2SA1037AK-S-T146			
	405 002 0318	TR 2SA1037K T146 R			
	405 002 0417	TR 2SA1037K T146 S			
	405 002 6726	TR 2SA1179-M6-TB			
	405 002 6924	TR 2SA1179-M7-TB			
	405 163 1513	TR 2SA1179N-M6-TB			
RESISTOR					
R6871	401 255 6510	MT-GLAZE 100 JA 1/10W			
R6872	401 150 6110	MT-GLAZE 2.2K JA 1/10W			
R6873	401 255 6510	MT-GLAZE 100 JA 1/10W			
R6874	401 150 6110	MT-GLAZE 2.2K JA 1/10W			
R6875	401 255 6510	MT-GLAZE 100 JA 1/10W			
R6876	401 150 6110	MT-GLAZE 2.2K JA 1/10W			
R6877	401 255 6510	MT-GLAZE 100 JA 1/10W			
R6878	401 150 6110	MT-GLAZE 2.2K JA 1/10W			
R6881	401 162 3619	MT-GLAZE 470 JA 1/10W			
R6882	401 162 3619	MT-GLAZE 470 JA 1/10W			
R6883	401 162 3619	MT-GLAZE 470 JA 1/10W			
R6884	401 162 3619	MT-GLAZE 470 JA 1/10W			
R6885	401 162 3619	MT-GLAZE 470 JA 1/10W			
R6886	401 162 3619	MT-GLAZE 470 JA 1/10W			
R6887	401 162 3619	MT-GLAZE 470 JA 1/10W			
R6888	401 162 3619	MT-GLAZE 470 JA 1/10W			
R6891	401 162 3619	MT-GLAZE 470 JA 1/10W			
R6892	401 162 3619	MT-GLAZE 470 JA 1/10W			
R6893	401 162 3619	MT-GLAZE 470 JA 1/10W			
R6894	401 162 3619	MT-GLAZE 470 JA 1/10W			
R6895	401 162 3619	MT-GLAZE 470 JA 1/10W			
R6896	401 162 3619	MT-GLAZE 470 JA 1/10W			
R6897	401 162 3619	MT-GLAZE 470 JA 1/10W			
R6898	401 162 3619	MT-GLAZE 470 JA 1/10W			
DIODE					
D6871	407 209 1211	ZD UDZS-TE-176.2B			
D6872	407 209 1211	ZD UDZS-TE-176.2B			
D6873	407 209 1211	ZD UDZS-TE-176.2B			
D6874	407 209 1211	ZD UDZS-TE-176.2B			
D6875	407 209 1211	ZD UDZS-TE-176.2B			
D6881	407 196 9907	LED SEL4828A			
D6882	407 196 9709	LED SEL4228C			
D6883	407 196 9808	LED SEL4428E			
D6884	407 196 9709	LED SEL4228C			
D6891	407 196 9907	LED SEL4828A			
D6892	407 196 9709	LED SEL4228C			
D6893	407 196 9808	LED SEL4428E			
D6894	407 196 9709	LED SEL4228C			
LAMP FANNET BOARD					
△	610 328 7485	ASSY,PWB,LAMP FANNET KF6A			
CAPACITOR					
C2631	403 215 1016	CERAMIC 470P J 50V			
C2632	403 113 3815	CERAMIC 1000P K 50V			
C2633	403 215 1016	CERAMIC 470P J 50V			
C2634	403 113 3815	CERAMIC 1000P K 50V			
C2635	403 157 2911	CERAMIC 47P J 50V			
C2636	403 113 3815	CERAMIC 1000P K 50V			
C2637	403 215 1016	CERAMIC 470P J 50V			
C2638	403 113 3815	CERAMIC 1000P K 50V			
RESISTOR					
R2631	401 190 1410	MT-GLAZE 0.000 ZA 1/2W			
R2632	401 190 1410	MT-GLAZE 0.000 ZA 1/2W			
R2633	401 190 1410	MT-GLAZE 0.000 ZA 1/2W			
R2634	401 190 1410	MT-GLAZE 0.000 ZA 1/2W			
R2635	401 150 5915	MT-GLAZE 10K JA 1/10W			
R2636	401 150 5915	MT-GLAZE 10K JA 1/10W			
R2637	401 150 5915	MT-GLAZE 10K JA 1/10W			
R2638	401 150 5915	MT-GLAZE 10K JA 1/10W			
DIODE					
D2631	407 149 0817	DIODE 1SS355-TE-17			
D2632	407 149 0817	DIODE 1SS355-TE-17			
D2633	407 149 0817	DIODE 1SS355-TE-17			
D2634	407 149 0817	DIODE 1SS355-TE-17			

Key No.	Part No.	Description	Key No.	Part No.	Description
LAMP NET BOARD			R9634	401 105 0514	MT-GLAZE 1K JA 1/16W
KF6-XT4U00			R9635	401 105 0514	MT-GLAZE 1K JA 1/16W
△	610 328 7454	ASSY,PWB,LAMP NET KF6A	R9636	401 211 9913	MT-GLAZE 12K FA 1/16W
TRANSISTOR			R9637	401 212 0018	MT-GLAZE 15K FA 1/16W
Q9600	405 014 4519	TR 2SC2412K T146 R	R9638	401 105 5311	MT-GLAZE 4.7K JA 1/16W
	405 014 4618	TR 2SC2412K T146 S	R9639	401 105 5311	MT-GLAZE 4.7K JA 1/16W
	405 015 8724	TR 2SC2812-L6-TB	R9642	401 037 5014	MT-GLAZE 0.000 ZA 1/10W
	405 015 8922	TR 2SC2812-L7-TB	R9643	401 037 5014	MT-GLAZE 0.000 ZA 1/10W
	405 163 1612	TR 2SC2812N-L6-TB0	R9644	401 037 5014	MT-GLAZE 0.000 ZA 1/10W
CAPACITOR			R9651	401 150 6011	MT-GLAZE 0.000 ZA 1/10W
C9601	403 298 9619	CERAMIC 0.1U K 16V	R9653	401 150 6011	MT-GLAZE 0.000 ZA 1/10W
C9611	403 298 9619	CERAMIC 0.1U K 16V	R9655	401 150 6011	MT-GLAZE 0.000 ZA 1/10W
C9612	403 298 9619	CERAMIC 0.1U K 16V	R9656	401 150 6011	MT-GLAZE 0.000 ZA 1/10W
RESISTOR			R9661	401 162 2414	MT-GLAZE 1.2K JA 1/10W
R9603	401 150 6011	MT-GLAZE 0.000 ZA 1/10W	R9663	401 162 2414	MT-GLAZE 1.2K JA 1/10W
R9604	401 150 6011	MT-GLAZE 0.000 ZA 1/10W	R9668	401 162 2414	MT-GLAZE 1.2K JA 1/10W
R9612	401 150 5915	MT-GLAZE 10K JA 1/10W	R9669	401 162 2414	MT-GLAZE 1.2K JA 1/10W
R9616	401 150 6110	MT-GLAZE 2.2K JA 1/10W	R9672	401 150 6011	MT-GLAZE 0.000 ZA 1/10W
R9617	401 150 6110	MT-GLAZE 2.2K JA 1/10W	R9674	401 150 6011	MT-GLAZE 0.000 ZA 1/10W
R9621	401 150 6011	MT-GLAZE 0.000 ZA 1/10W	COIL		
R9622	401 150 6011	MT-GLAZE 0.000 ZA 1/10W	L9631	401 037 5014	MT-GLAZE 0.000 ZA 1/10W
R9623	401 150 6011	MT-GLAZE 0.000 ZA 1/10W	DIODE		
R9624	401 150 6011	MT-GLAZE 0.000 ZA 1/10W	D9631	407 223 5011	DIODE D1FM3
R9642	401 037 5014	MT-GLAZE 0.000 ZA 1/10W	D9632	407 223 5011	DIODE D1FM3
R9643	401 037 5014	MT-GLAZE 0.000 ZA 1/10W	D9633	407 223 5011	DIODE D1FM3
R9644	401 037 5014	MT-GLAZE 0.000 ZA 1/10W	D9634	407 223 5011	DIODE D1FM3
R9651	401 150 6011	MT-GLAZE 0.000 ZA 1/10W	D9636	407 149 0817	DIODE 1SS355-TE-17
R9653	401 150 6011	MT-GLAZE 0.000 ZA 1/10W			
R9655	401 150 6011	MT-GLAZE 0.000 ZA 1/10W			
R9656	401 150 6011	MT-GLAZE 0.000 ZA 1/10W			
R9661	401 162 2414	MT-GLAZE 1.2K JA 1/10W			
R9663	401 162 2414	MT-GLAZE 1.2K JA 1/10W			
R9668	401 162 2414	MT-GLAZE 1.2K JA 1/10W			
R9669	401 162 2414	MT-GLAZE 1.2K JA 1/10W			
R9672	401 150 6011	MT-GLAZE 0.000 ZA 1/10W			
R9674	401 150 6011	MT-GLAZE 0.000 ZA 1/10W			
DIODE					
D9636	407 149 0817	DIODE 1SS355-TE-17			
LF6-XT4E00					
△	610 330 3659	ASSY,PWB,LAMP NET LF6A			
TRANSISTOR					
Q9600	405 014 4519	TR 2SC2412K T146 R			
	405 014 4618	TR 2SC2412K T146 S			
	405 015 8724	TR 2SC2812-L6-TB			
	405 015 8922	TR 2SC2812-L7-TB			
	405 163 1612	TR 2SC2812N-L6-TB0			
Q9631	405 014 4519	TR 2SC2412K T146 R			
	405 014 4618	TR 2SC2412K T146 S			
	405 015 8724	TR 2SC2812-L6-TB			
	405 015 8922	TR 2SC2812-L7-TB			
	405 163 1612	TR 2SC2812N-L6-TB0			
INTEGRATED CIRCUIT					
IC9631	409 461 7314	IC AD8057ARTZ-REEL7			
IC9632	409 461 7314	IC AD8057ARTZ-REEL7			
CAPACITOR					
C9601	403 298 9619	CERAMIC 0.1U K 16V			
C9611	403 298 9619	CERAMIC 0.1U K 16V			
C9612	403 298 9619	CERAMIC 0.1U K 16V			
C9631	403 164 0214	CERAMIC 0.1U Z 25V			
C9632	403 381 9915	ELECT 470U M 16V			
C9633	403 381 9915	ELECT 470U M 16V			
C9634	403 164 0214	CERAMIC 0.1U Z 25V			
RESISTOR					
R9603	401 150 6011	MT-GLAZE 0.000 ZA 1/10W			
R9604	401 150 6011	MT-GLAZE 0.000 ZA 1/10W			
R9612	401 150 5915	MT-GLAZE 10K JA 1/10W			
R9616	401 150 6110	MT-GLAZE 2.2K JA 1/10W			
R9617	401 150 6110	MT-GLAZE 2.2K JA 1/10W			
R9621	401 150 6011	MT-GLAZE 0.000 ZA 1/10W			
R9622	401 150 6011	MT-GLAZE 0.000 ZA 1/10W			
R9623	401 150 6011	MT-GLAZE 0.000 ZA 1/10W			
R9624	401 150 6011	MT-GLAZE 0.000 ZA 1/10W			
R9631	401 105 0415	MT-GLAZE 100 JA 1/16W			
R9632	401 105 4017	MT-GLAZE 330 JA 1/16W			
R9633	401 105 0415	MT-GLAZE 100 JA 1/16W			

EIKI

A-key to better communications