

ELMO

Touchboards

205 Westwood Ave, Long Branch, NJ 07740

Phone: 866-94 BOARDS (26273) / (732)-222-1511 | Fax: (732)-222-7088

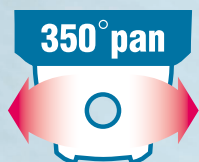
E-mail: sales@touchboards.com | Site: www.touchboards.com

PTC-400C

Pan / Tilt / Zoom Camera



ELMO offers a new pan/tilt/zoom camera that monitors practically every direction with wide pan/tilt capability with Image flip function, and various user-friendly features.



Max. 192x zoom
(12x Optical, 16x Digital)

Max. 100° / sec.
pan / tilt speed

2 Alarm Inputs /
16 Presets

Max. 80x
Electronic sensitizing

Day / Night
function

IR
remote control

RS-485
connection

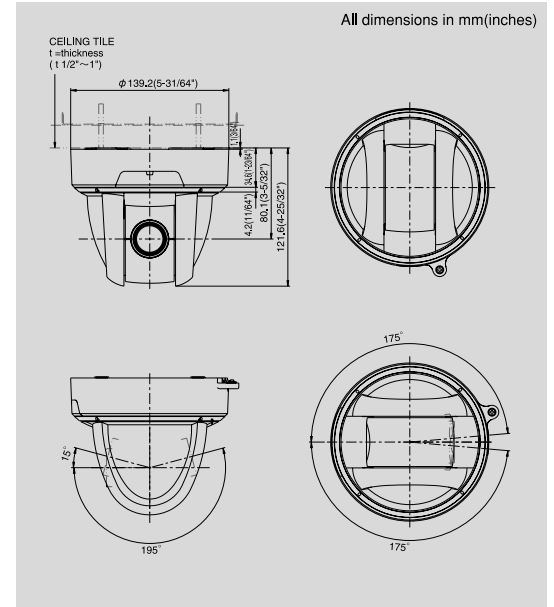
PTC-400C Pan / Tilt / Zoom Camera

SPECIFICATIONS

TV System	NTSC
Image pick-up device	1/4 inch IT color CCD
Total pixels / Effective pixels	410,000 pixels/380,000 pixels
Sync.system	Internal
Resolution(Horizontal/Vertical)	470TV lines (H) x 360TV lines (V)
S/N ratio	More than 49dB
Minimum illumination	1 lx (30IRE)
Lens	12x powered zoom, f=3.8~45.6mm, F1.6~2.7
Zoom	12x powered optical zoom
Field of view (horizontal)	52.8°~4.5°
CAMERA CONTROLS	
Backlight compensation	Provided
Iris selection	Auto (OPEN / CLOSE / NORMAL)
White balance	AUTO/MANU/PUSH/Fixed
Focus	Full-auto/Manual
Picture adjustment	hue, AGC gain, detail compensation, high speed shutter etc.
Digital zoom	16x (MAX)
Electronic sensitizing	80x (MAX)
Area masking	Provided
Image flip	Provided (for Tilt 180° control)
Day/Night function	Provided (IR cut filter removal)
PAN/TILT CONTROLS	
Pan (H)	±175° (350° in total, max.speed 100°/sec.)
Tilt (V)	-195° to 15° (210° in total, max.speed 100°/sec.)
Auto return to home position	Provided
Speed control	Auto/Manual (8 speeds)
Preset	16 positions
Pan/Tilt range setting	"ON" when Dome cover is mounted
OTHER CONTROLS	
Control of multiple cameras with remote controller	Up to 9 cameras
Power ON/OFF with remote controller	Provided
Power save mode	Provided
Preset title indication	Provided (Up to 10 characters)
RS-485 daisy chain connection	Up to 223 cameras
Receivable angle from IR remote controller	Front : +30°, Light & Right : ±60°
Power requirement	DC12V 12W
Operating temperature	-10°~50°
Dimensions	φ139.2 x 120.5 (projections and metal fitting not included)
Main unit weight	Approx. 790g (without metal fitting)
Supplied accessories	IR remote controller, Instruction manual, Warranty card, Connection cable

Design and specifications are subject to change without prior notice.
Dimensions and weight are approximate.

PROFILE



OPTIONAL ACCESSORY

Optional Dome Covers are available for PTC-400C



Clear type : PTC40CL
Smoke type : PTC40SM



This brochure is printed on recycled paper with soy ink.

E04009 Printed in Japan(A)11/2004