

## 6. RS-232C SPECIFICATIONS

The Presenter can be controlled by a PC connected to the Presenter through the RS-232C terminal **[RS-232C]**.

### Setting up

- (1) Connect the Presenter to a PC with an RS-232C connection cable.

**Note:** When using an RS-232C cable available in the market, make sure of the connection shown in the next page.

**Note:** To protect the Presenter and the PC, be sure to turn OFF all the power switches of all equipment before connecting.

- (2) Start the PC, and set the communication mode of the RS-232C to the communication mode of the Presenter.

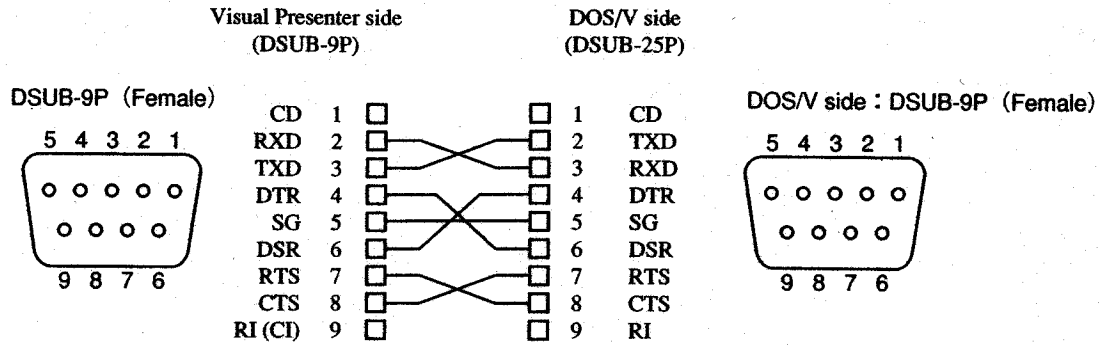
**Note:** For the information how to set the communication mode of the RS-232C, refer to the instruction manual of the PC.

- (3) Start the PC program to operate the Presenter.

- (4) Control through the RS-232C will start.

**Note:** For communication control, be sure to take the above steps for setting.

## ○ Cable connection



## ○ RS-232C connector specifications (DSUB-9P)

Pin No.	Code	Name	Direction of data	
			Visual Presenter	PC
1	CD	Carrier Detect	—	
2	RXD	Received Data	←	
3	TXD	Transmitted Data	→	
4	DTR	Data Terminal Ready	→	
5	SG	Signal Ground	—	
6	DSR	Data Set Ready	←	
7	RTS	Request To Send	→	
8	CTS	Clear To Send	←	

## ○ Table of the communication commands

Function	Command	Parameter	Data	Comments
Auto Focus	AF	0	■ ■	Command to execute the one-step auto focus.
Focus adjustment	FO	+ (NEAR) - (FAR) 0 (STOP)	■ ■	Command to adjust the focus.
Zoom adjustment	ZO	+ (TELE) - (WIDE) 0 (STOP)	■ ■	Command to adjust the Zoom.
Iris adjustment	IR	+ (OPEN) - (CLOSE) 0 (STOP) 1 (NORMAL)	■ ■	Command to adjust the Iris.
Lighting selection	PL	0 (OFF) 1 (L:ON) 2 (L, R:ON)	■ ■	Command to select the Lighting.
Nega/Posi conversion	NP	0 (POSI) 1 (NEGA)	■ ■	Command to convert Nega/Posi.
Color/B&W selection	CB	0 (COLOR) 1 (B&W)	■ ■	Command to select Color/B&W.
Enlarged image movement	PM	0 (STOP) 1 (→) 2 (←) 3 (↑) 4 (↓) 5 (↗) 6 (↖) 7 (↘) 8 (↙)	■ ■	When the electronic image enlargement is ON, the enlarged image moves. 1: To the right side 2: To the left side 3: To the upper side 4: To the lower side 5: To the upper right 6: To the upper left 7: To the lower right 8: To the lower left
Electronic image enlargement	MA	0 (OFF) 1 (ON)	■ ■	Command to enlarge the image to double the center area of the image.
Local lockout	LL	0 (OFF) 1 (ON)	■ ■	Command to invalidate the switches on the front operation panel and wireless remote control.
Default	DF	0	■ ■	Command to reset to the initialized mode.
Status request	QS	0	■ ■	Command to inquire the status of the equipment.
ROM version	QR	0	■ ■	Command to refer to the ROM version.
Acknowledge check	SA	0 (OFF) 1 (ON)	■ ■	Command to select the command acknowledge for each operation command. (Default :ON)
Add CR command	SC	0 (OFF) 1 (ON)	■ ■	Command to add CR [0Dh] to the end of the acknowledge data. (Default :OFF)

**Note:** "■ ■" in the data column means that SPACE [20H] should be transmitted twice.



## ○ **Transmission specifications**

- Full duplex start-stop sync. mode
- Start bit : 1 bit
- Data bit : 8 bits
- Stop bit : 1 bit
- Parity bit : None
- X parameter : None
- Baud rate (Communication speed) : 9600bps

## ○ **Connection**

If the RS-232C cable is not correctly connected between the Presenter and the PC, no acknowledgement is transmitted.  
Connect the RS-232C cable correctly, and fix it firmly with the connector set screws before the operation.