

# VISUAL PRESENTER



Millennium  
...First into the future  
with easy, economical imaging



This product is manufactured at  
the ISO9002 certified factory of  
ELMO CO., LTD.  
Q 00050

**Never before has this much performance come in a presenter so compact and low price. The EV-2500AF takes Elmo's easy-to-use principal to a new level. Now professional presentations are easy to make anywhere by anyone!**



**VISUAL PRESENTER  
EV-2500AF**

**EXview W D CCD Sensors high performance camera**

With an advanced 1/3 'EXview HAD CCD™ Sensor, the EV-2500AF captures and presents two or three dimensional objects with exceptional clarity. The audience will be able to see every detail with smear-free, vivid colour.

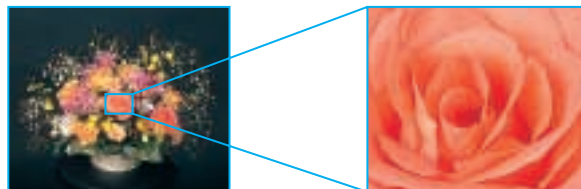
**Computer connections**

The EV-2500AF features an RS-232C port for connection to a computer. This enables you to control various functions of the EV-2500AF from a computer. Further, by using S-VIDEO output, direct projection through LCD projector is possible.



**Amazing 24x magnification & one-push auto focus function**

High performance 12x optical zoom with the 2x electronic magnification function can continuously enlarge images up to 24 times.



**Screen scroll function**

Enlarged images can be scrolled up and down, and left and right so there is no need to move the object or visual.





### Flip-type close-up lens

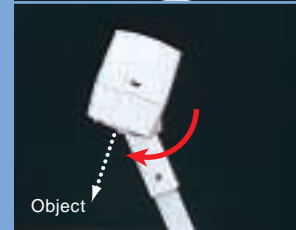
With the flip of the close-up lens attached to the camera head, you can easily switch between close-ups and distant shots. Open the flip forward when you want to take a distant shot.

### Flexible focusing area

The EV-2500AF has an excellent capability in focusing on a material which is elevated up to 15cm from the stage. This lets you display larger solid object never before possible.

### Convenient rotating camera head

The camera head can be freely rotated as shown below in pictures, so you can display documents on a wall or around the room.



### Flexible lighting arm

Cleverly designed arms further enhances functionality. By moving arms, flexible lighting, such as lighting a person in TV conference, is possible.



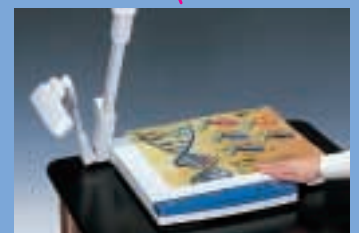
### Wireless remote control

The wireless remote control gives you complete control of the presenter's functions, enabling you to give productive presentations while watching both the presentation and the audience's reaction.



### Simple operation

Elmo's easy-of-use principle adopts only three buttons on the stage. This allows for incredible easy operation for everyone.



### Full flat stage

Full flat stage makes it easier than ever to present large and wide objects. By folding right side arm, you can present as large as a sheet of B4 size paper.



### Easy carrying body

The EV-2500AF has been designed as a compact unit. When taking it down for storage or transportation, the arms and the camera head fold to make the unit even more compact. Weighing only 6kgs, the EV-2500AF can be easily carried anywhere for on-the-go presentations.

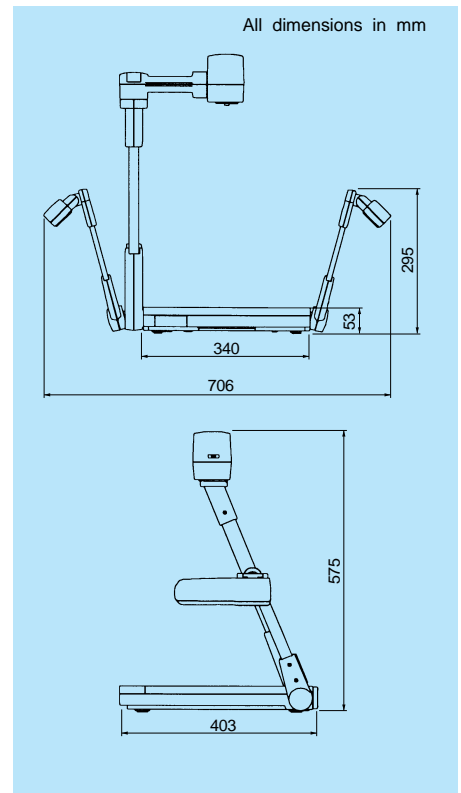


# HIGH PERFORMANCE VISUAL PRESENTER EV-2500AF

## SPECIFICATIONS

Power source	AC100V-240V 50Hz
Rated current	0.5A-0.3A
Image pick-up element	1/3" Interline-transfer CCD
Effective picture element	752(H) × 582(V)
Total picture elements	795(H) × 596(V)
Shooting area	340mm × 252mm(13.4 × 9.9in.)max., 16mm × 12mm(0.6 × 0.5in.)min.
Resolution(Horizontal)	More than 470TV lines (Y signal with horizontal)
(Vertical)	More than 380TV lines
S/N ratio	More than 48dB
Lens	f=5.8mm to 70mm;(12-time zoom) F1.9 to 2.6
Close-up lens	Built-in
Iris	Auto(with level adjustment by remote control)
Zooming	24-time zoom(continuous zoom mode with automatic switching from the 12-time optical zoom plus electronic zoom with 2 × function)
Focusing	Auto/manual
White balance	Auto
Nega/posi conversion	Built-in (by remote control)
Color/B&W selection	Built-in (by remote control)
Enlargement of the image	Provided(double, can be scrolled)
Head rotation	Built-in
Sync.system	Internal
Video output	S-video jack × 1, composite video jack × 2 (RCA,BNC connector)
Upper lighting unit	Built-in, Fluorescent lamp 9W × 2
DC output	DC 12V(for monitor)
Wireless remote control	Supplied
External control	RS-232C(DSUB 9P connector (male))
Outside dimensions	500mm(W) × 612mm(D) × 99mm(H)(19.7 × 24.1 × 3.9in)-When folded 706mm(W) × 403mm(D) × 575mm(H)(27.8 × 15.9 × 22.6in)-When set up
Weight	6kgs(13.2lbs)

## PROFILE

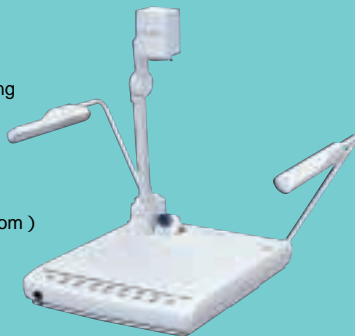


Note : Weight and dimensions are approximate.  
Design and specifications are subject to change without prior notice.

## PAL Standard VISUAL PRESENTER

### EV-6500AF

Dual camera system for flexible shooting  
( Detachable sub-camera for hand-held use w/1.5m cable )  
Easy to use on-screen menu display  
24x magnification on main camera  
( 12x optical zoom plus 2x electronic zoom )  
7 picture memory( JPEG format ) and pause/scroll mode



### EV-8500AF **3CCD**

Equipped with 3 chip color CCD camera  
More than 750 TV lines( H ) resolution  
Easy to use on-screen menu display  
24x magnification( 12x optical zoom plus 2x electronic zoom )  
7 picture memory( JPEG format ) and pause/scroll mode



**EIMO® ELMO CO., LTD.**

6-14, Meizen-cho, Mizuho-ku,  
Nagoya, 467-8567 Japan  
E-mail:foreign-div@elmo.co.jp

Additional technical information is available from any of the following subsidiary companies:

# Touchboards

205 Westwood Ave, Long Branch, NJ 07740

Phone: 866-94 BOARDS (26273) / (732)-222-1511

Fax: (732)-222-7088 | E-mail: sales@touchboards.com