

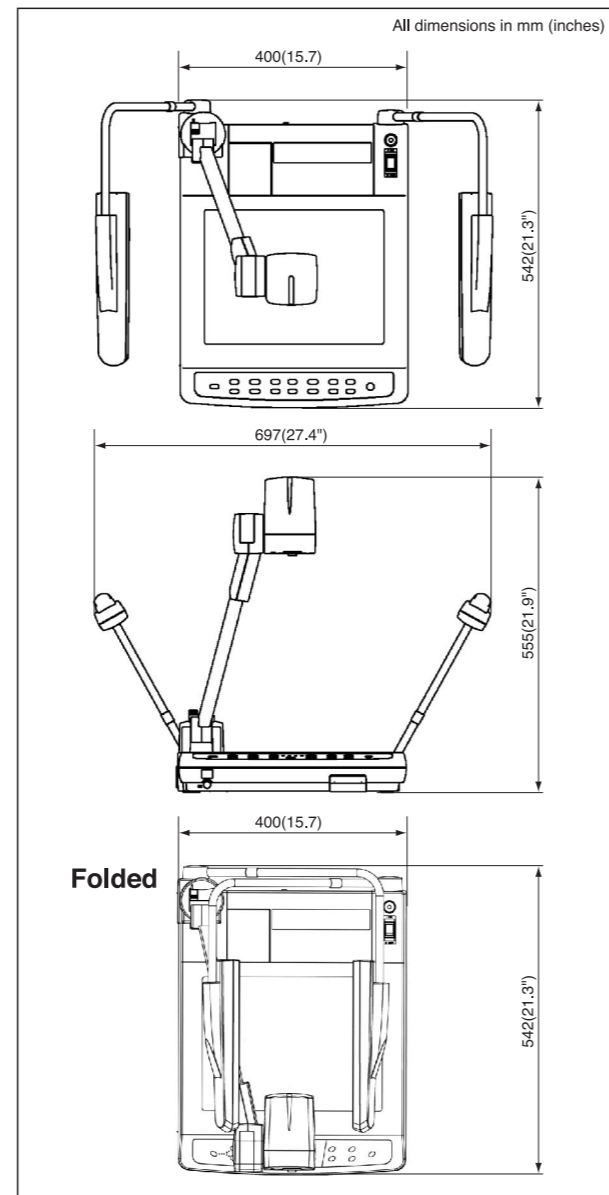
High-Resolution Visual Presenter HV-5100XG

SPECIFICATIONS

| | | | |
|------------------------------|--------------------------------------|---|----------------------|
| Camera | Image pick-up device | 1/3" progressive scan CCD | |
| | Effective pixels | 1034(H)x779(V) | |
| | Frame rate | 20fps | |
| | Resolution (TV lines) | 600(H)x600(V) | |
| | RGB output (HxV) Video output (H) | 400 (H) | |
| Optics | Zooming | 18x(Powered) | |
| | Lens | F[2.8] f=4.7-84.6mm | |
| | Shooting area Max. Min. | 350x260mm(13.7x10.2") 25x19mm(1.0x0.8") | |
| | Focusing | Auto / Manual (Powered) | |
| | Iris | Auto (with level adjustment) / Manual | |
| Function | White balance | Full-auto / One-push / Manual | |
| | Nega/Posi conversion | ● | |
| | Color/B&W selection | ● | |
| | Aperture enhancement | ● | |
| | Freeze(Pause) mode | ● | |
| | Electronic magnification | ● (x2) | |
| | Gamma adjustment | ● | |
| | OSD(on screen display) | ● | |
| | Image rotation | ● | |
| | Video pointer | ● | |
| | Down converter | ● | |
| | Image memory | ● (x8) | |
| | Scrolling | ● | |
| | Input / Output | Input selection | Int./RGB1/RGB2 |
| | | Analog RGB output | XGA(1024x768, @60Hz) |
| Video output | | NTSC,PAL, Composite,S-video | |
| RGB input | | ● x2 | |
| DC 12V output | | ● | |
| Mouse | | ● | |
| Output terminal : Analog RGB | | Mini DSUB 15Pin connector | |
| Composite-video | | RCA Pin jack | |
| S-video | | Mini DIN 4Pin connector | |
| PC interface | RS232-C | ● | |
| | USB | ● | |
| Lighting | Upper Lighting unit | ● (6W fluorescent lamps x2) | |
| | Baselight | ● | |
| Others | Carrying handle | ● | |
| | Wireless Remote Control | ● | |
| | Dimensions when Set-up | 697(W)x542(D)x555(H) (27.4x21.3x21.9 in) | |
| | Folded | 400(W)x542(D)x181(H) (15.8x21.3x7.1in) | |
| | Mass/Weight | 9.8kg (21.6lbs) | |
| | Power source | AC100-240V , 50/60Hz | |
| | Rated current | 0.8A-0.4A | |

NOTE: Design and specifications are subject to change without prior notice.
Dimensions and weight are approximate.

PROFILE



ELMO CO.,LTD.(Head Office and Factory)'s QMS/EMS has been registered to ISO 9001 & ISO 14001.

ELMO

High-Resolution Visual Presenter HV-5100XG

NEW
PRODUCT



ELMO® ELMO CO., LTD. 6-14, Meizen-cho, Mizuho-ku,
Nagoya, 467-8567 Japan
E-mail:foreign-div@elmo.co.jp

Additional technical information is available from any of the following subsidiary companies;

ELMO Mfg. Corp.
1478 Old Country Road,
Plainview, NY 11803-5034, U.S.A.
Tel. 516-501-1400 Fax. 516-501-0429
E-mail:elmo@elmousa.com
Web:http://www.elmousa.com

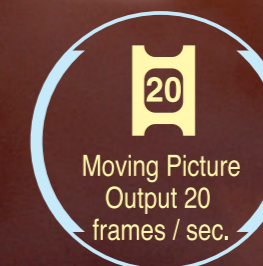
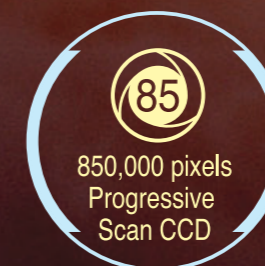
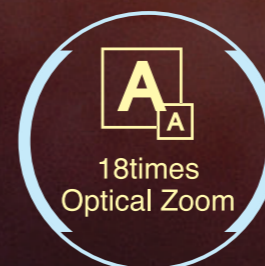
ELMO (Europe) G.m.b.H.
Neanderstr 18,
40233 Düsseldorf, Germany
Tel. 0211-376051-53 Fax.0211-376630
E-mail:elmo@elmo.eu.com
Web:http://www.elmo.de

ELMO Canada Mfg. Corp.
44 West Drive, Brampton,
Ontario, L6T 3T6, Canada
Tel. 905-453-7880 Fax.905-453-2391
E-mail:info@elmocanada.com
Web:http://www.elmocanada.com

ELMO and **ELMO** are registered trademarks of ELMO COMPANY, LIMITED.

Distributed by
www.touchboards.com
205 Westwood Ave.Long Branch, NJ 07740
1-866-942-6273
Sales@touchboards.com

PRINTED ON RECYCLED PAPER
E03008 Printed in Japan(S)10/2003



ELMO
Visualizing technology since 1921