

NEW

ELMO

TRS-35XG

HIGH RESOLUTION SLIDE FILM PRESENTER



**ELMO, THE LEADING MANUFACTURER OF AUDIO VISUAL EQUIPMENT,
IS PROUD TO PRESENT A NEW SLIDE FILM PRESENTER
FOR PROFESSIONAL IMAGE PRESENTATION.
THE TRS-35XG PROMISES EXCELLENT PICTURE
QUALITY OF TRUE-XGA.**

- True XGA resolution plus NTSC video output
- 1/3" 850,000 (1,077×788) pixels Progressive-Scan CCD
- Analog RGB (XGA-75Hz) output
- 2.5x powered zoom
- 15fps image transfer
- Various remote controls (optional) available
- Switch images without interruption



This product is manufactured at the ISO9002 certified factory of ELMO CO., LTD. Q 00019

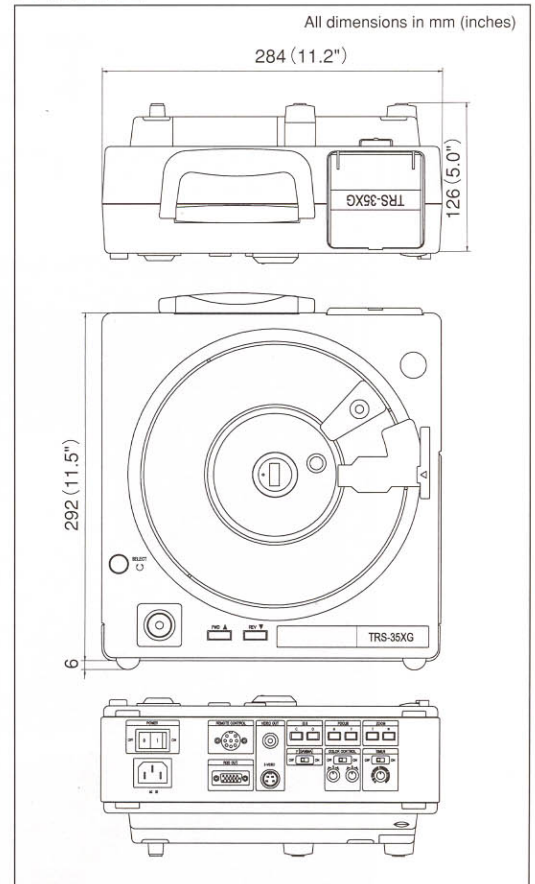
ELMO®
Visualizing technology since 1921

HIGH RESOLUTION SLIDE FILM PRESENTER TRS-35XG

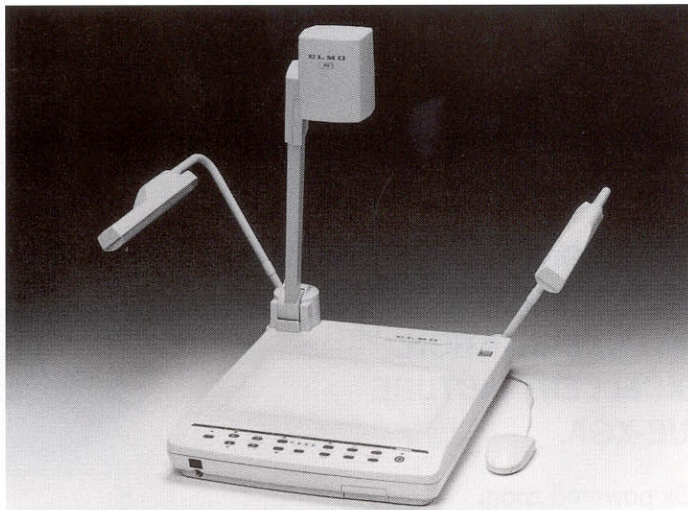
SPECIFICATIONS

Power	Power source	AC120V 60Hz
	Power consumption	80W
Film transport	Film	35mm slide film (2×2" mount slide)
	Film capacity	80 slides
	Film loading	Standard circular tray
	Slide transport	Forward and reverse. Remote control possible.
	Variable interval timer	Built-in (1.5-30 sec.)
Optics	Lens	f=15mm-38mm F1.9 zoom lens
	Zooming	2.5× Powered
	Focusing	Powered
	Iris	Manual (Powered)
	Light source	24V-6W lamp
Picture	Output signal	Analog RGB 1,024×768 (XGA) @75Hz
	Frame rate	15 frames/sec.
	Image pick-up element	1/3" progressive scan CCD
	Total picture element	1,077(H)×788(V)
	Effective picture element	1,024(H)×768(V)
	Resolution	More than 600(H)×600(V) TV lines (RGB output) More than 400(H)×350(V) TV lines (Video output)
	Sync. system	Internal
	White balance	Auto/Manual
	Gamma correction	ON/OFF
	Video output	NTSC compatible
	Output terminal	Analog RGB output
C-Video output		RCA Pin jack (75Ω unbalanced)
S-Video output		Mini DIN 4 Pin connector (75Ω unbalanced)
Others	Dimensions	284(W)×292(D)×126(H)mm (11.2"×11.5"×5.0")
	Weight	6.8kgs (15lbs)
	RGB cable	Supplied
	Power cord	Supplied
	Option	Remote controller (RC-351/RCW-352)

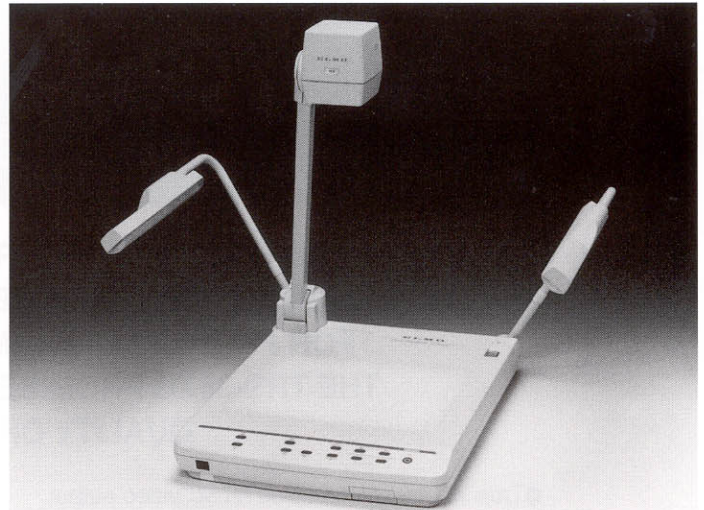
PROFILE



Note : Weight and dimensions are approximate.
Design and specifications are subject to change without prior notice.
Trademarks or registered trademarks are the property of their respective holders.



High Resolution Visual Presenter, HV-7000SX
SXGA resolution of 1/2" 1,500,000 pixels CCD



High Resolution Visual Presenter, HV-5000XG
XGA resolution of 1/3" 850,000 pixels CCD

ELMO® ELMO CO., LTD.

6-14, Meizen-cho, Mizuho-ku,
Nagoya, 467-8567 Japan
E-mail: elmo@gix.or.jp

Additional technical information is available from any of the following subsidiary companies;

ELMO Mfg. Corp.

1478 Old Country Road,
Plainview, NY 11803-5034, U.S.A.
Tel. 516-501-1400 Fax. 516-501-0429
E-mail: elmo@elmousa.com
Web: <http://www.elmousa.com>

ELMO Canada Mfg. Corp.

44 West Drive, Brampton,
Ontario, L6T 3T6, Canada
Tel. 905-453-7880 Fax. 905-453-2391
E-mail: info@elmocanada.com
Web: <http://www.elmocanada.com>

ELMO (Europe) G.m.b.H.

Neanderstr 18,
40233 Düsseldorf, Germany
Tel. 0211-376051-53 Fax. 0211-376630
E-mail: elmoeurope@AOL.com
Web: <http://www.elmo.de/>