

MOUNT CATEGORY ► CEILING MOUNTS

Universal Flat-Panel Ceiling Mounts

The Elliptical Ceiling Mount Series is the latest mounting innovation from Premier Mounts. Designed from the ground up as universal ceiling mounts, the Elliptical Series do not require any additional adapters or accessories to accommodate displays from 37" -65".

It features multiple cable management ports for improved cable routing as well as an aesthetic design that is best-in-class. Pop-on covers hide all mounting hardware and integrated power outlet makes wiring your displays a breeze.

Backed by Premier Mounts' industry-leading Lifetime Warranty for true peace of mind.

- Fits most 37" -65" flat panel displays
- ECM-3765S mounts a single display
- ECM-3765D mounts two displays back-to-back
- 15° continuous tilt
- Cable management/concealment
- No exposed holes, mounting screws or hardware
- Adapts to 1.5" NPT (single) or 2" NPT (back-to-back)
- ECM-3765D includes an integrated power outlet
- Adapters for signal converters, file servers and A/V equipment mount directly to frame
- Color: Black



ECM-3765S adapts to 1.5" NPT (not included) and fits a single 37" -65" display

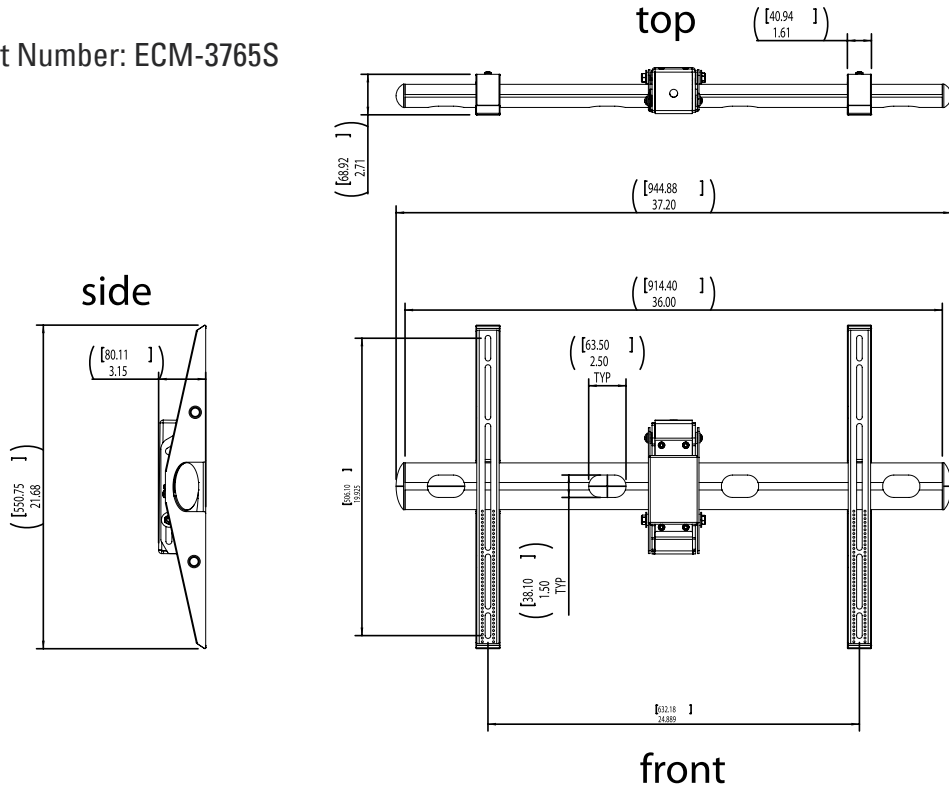


ECM-3765D adapts to 2" NPT (not included) and fits two 37" -65" displays back-to-back

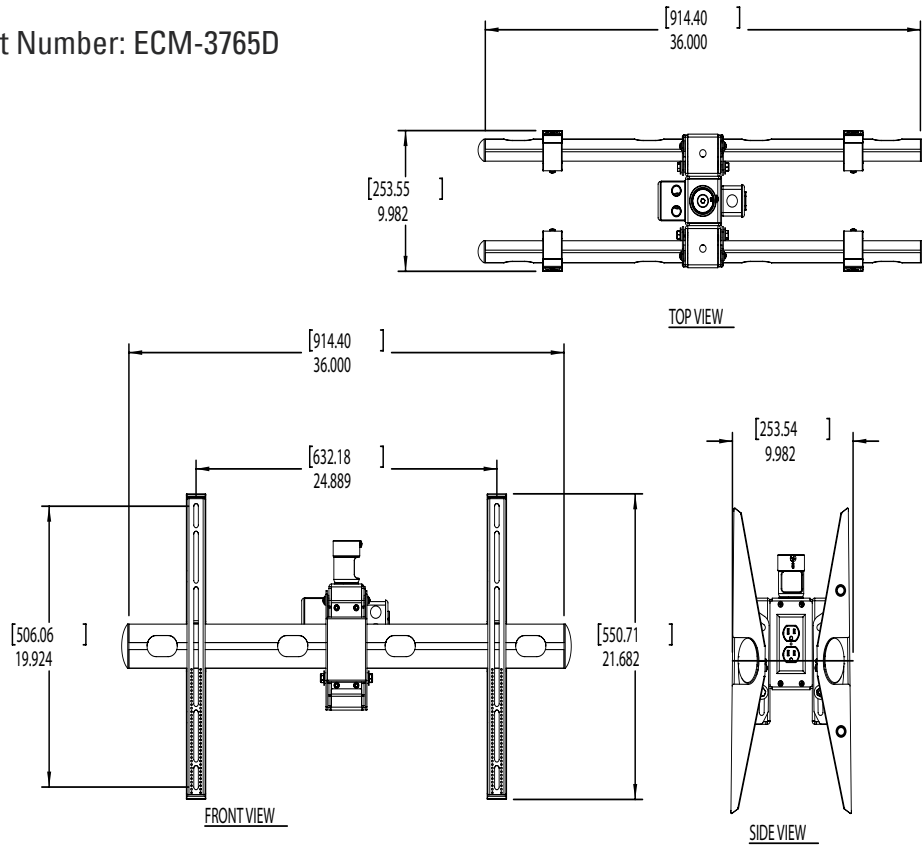
Touchboards

205 Westwood Ave, Long Branch, NJ 07740
Phone: 866-94 BOARDS (26273) / (732)-222-1511
Fax: (732)-222-7088 | E-mail: sales@touchboards.com

Part Number: ECM-3765S



Part Number: ECM-3765D



Dimensions are in inches and millimeters [mm].