

Universal Projector Mount



The Polaris™ Universal Projector Mount fits most projectors that weigh less than 10lbs. Features include our patented MagnaGuide™ technology which makes installation a snap. Available in three versions, customers may order a low-profile model (MAG), extension model (MAG-EXT), or pipe version (MAG-PRO) which adapts to 1.5" NPT. Universal support arms allow flexible positioning to reach any mounting point.

Lock-It™ Security Hardware is standard at every point for a safe and secure installation. Plus, it's backed by our industry-leading Lifetime Guarantee.

Features

- Fits projectors under 10lbs
- +/-6° tilt and roll
- 360° Rotation
- Features MagnaGuide™ Technology
- Includes Lock-It™ Security Hardware
- Lifetime Guarantee



MAG offers low-profile installation

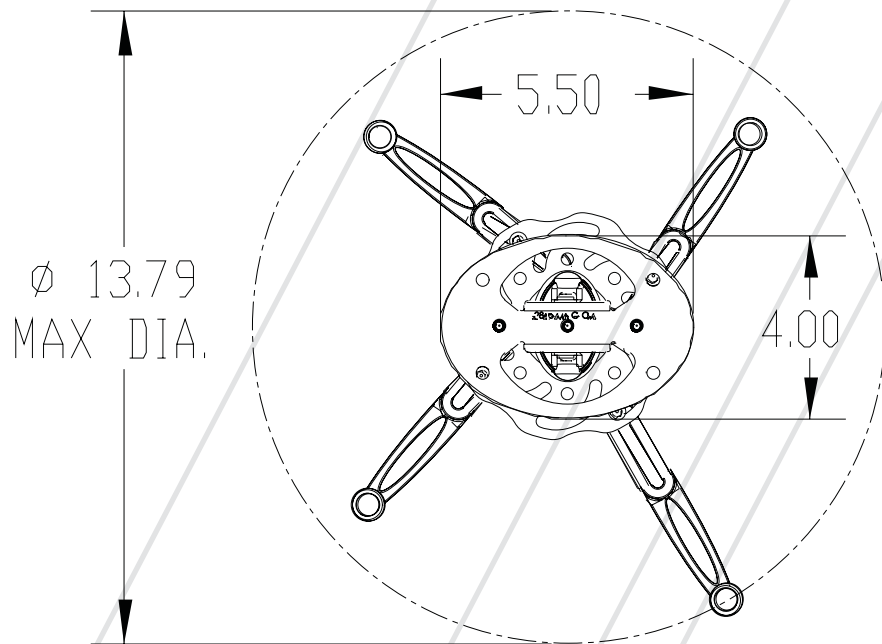


MAG-EXT offers up to 10" ceiling extension

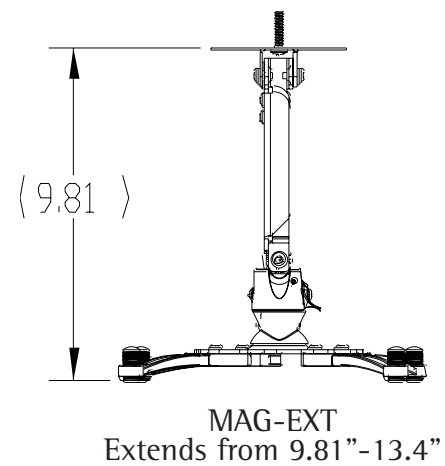
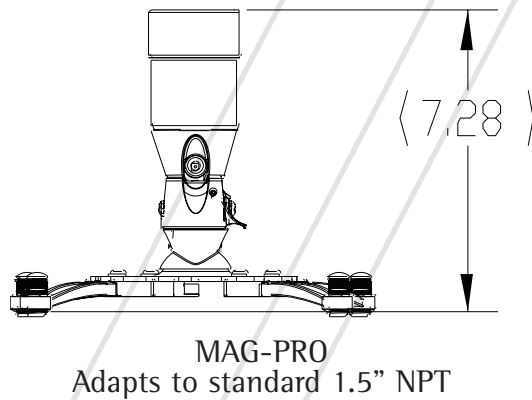
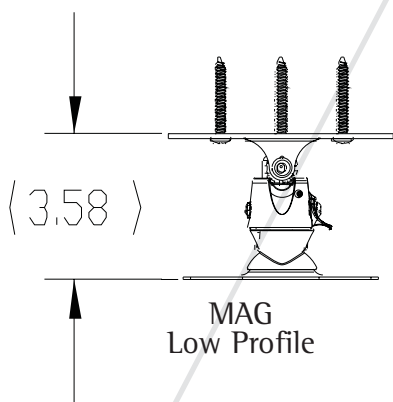


MAG-PRO adapts to 1.5" NPT

Model	Description	Color	Ship Wt.	MSRP	UPC
MAG	Low Profile (3.5")	Silver	10 LBS	\$129.99	829973200152
MAG-EXT	w/ 10" Extension	Silver	10 LBS	\$149.99	829973200169
MAG-PRO	Fits 1.5" NPT	Black	10 LBS	\$149.99	829973200176



Polaris (top view)



*Measurements are shown in inches

Touchboards

205 Westwood Ave, Long Branch, NJ 07740
Phone: 866-94 BOARDS (26273) / (732)-222-1511
Fax: (732)-222-7088 | E-mail: sales@touchboards.com

 **PREMIER
MOUNTS™**
The original holding company