

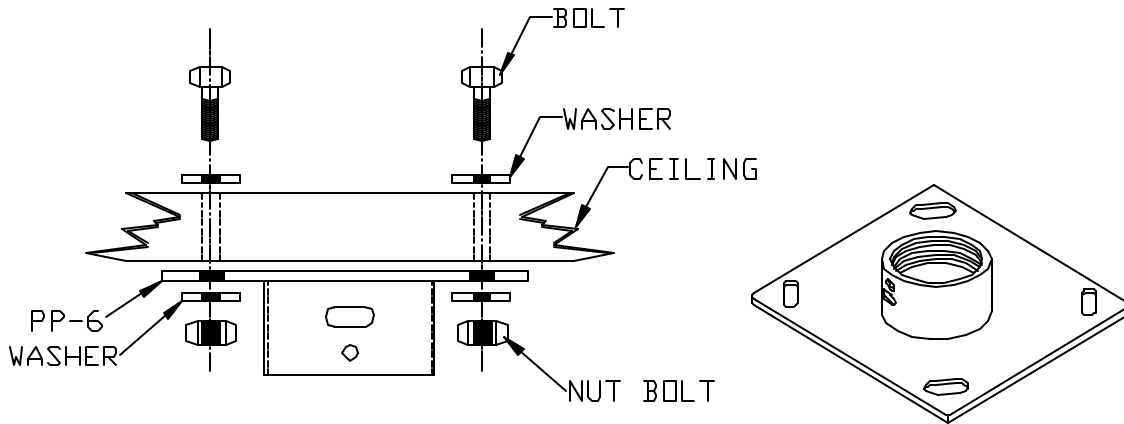
Installation Instructions

PP-6



Step 1

Install the **PP-6** securely to the ceiling structure in accordance with proper commercial standards. Use (**commercially available**) suitable hardware depending on the installation requirements.

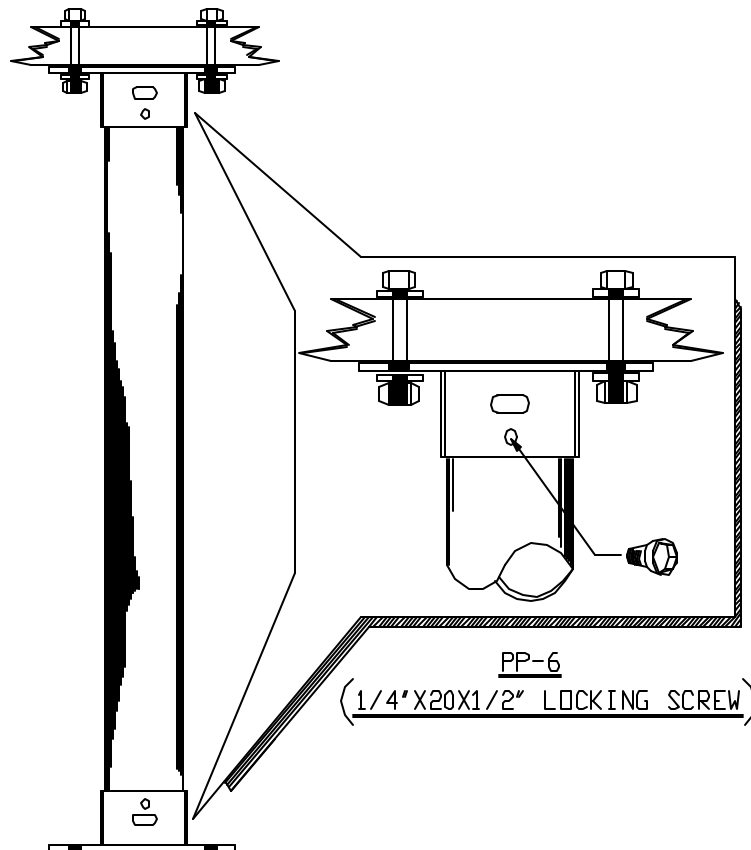


CEILING STRUCTURE

PP-6

Step 2

Install the desired length of 2" diameter **NTP** pipe with threaded ends for the **PP-6**. Install the lower **PP-6** to the bottom ends of the pipe. Place the 1/4"x20x1/2" locking screw to each **PP-6** to secure the pipe so that the pipe will not swivel.

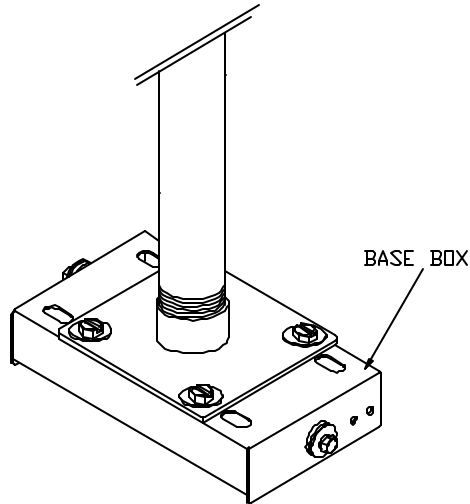


Touchboards

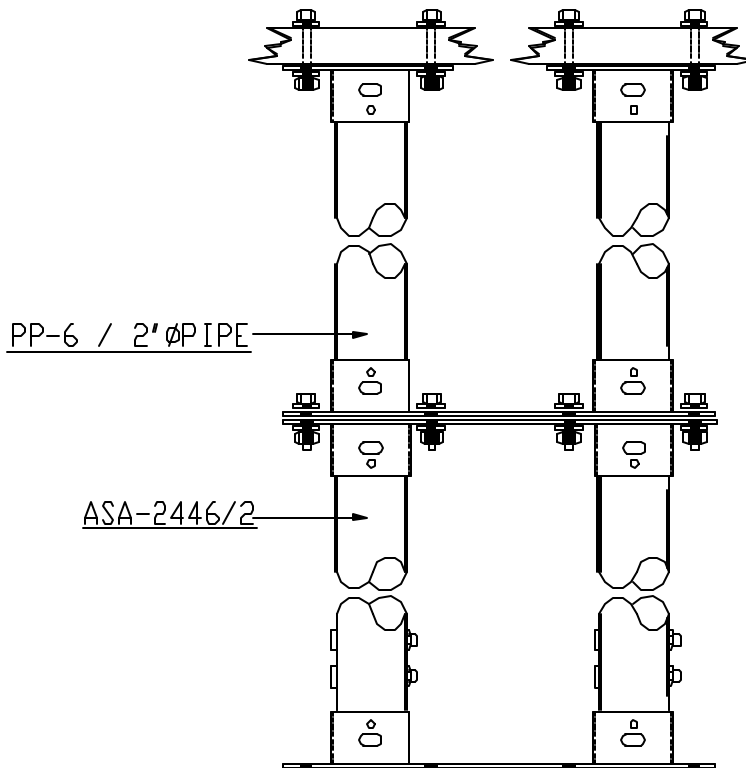
205 Westwood Ave, Long Branch, NJ 07740
Phone: 866-94 BOARDS (26273) / (732)-222-1511
Fax: (732)-222-7088 | E-mail: sales@touchboards.com

Step 3

Install the base box to the bottom **PP-6** using four (4) **M10x25mm** nut bolts, bolts and washers (supplied).



NOTE: For more adjustable suspension the **PP-6** can be mated directly to our **ASA-2446** or the **APM-2446/2** suspension adapter using four (4) **M10 x 25mm** nut bolts and washers (supplied).



WARNING!

The ceiling should be capable of supporting a weight of at least five times the projector or monitor weight. If it cannot, the ceiling must be reinforced. Proper installation procedure by qualified personnel as outline. In the installation instructions must be adhered to. Failure to do so could result in serious personal injury.

For further information or ordering assistance contact us at the address shown on the front of this page.

