

# PSD-TS/CS FLOOR STAND

## Step 1

Place the monitor on a soft and flat surface. Install the mounting bracket to the plasma using the hardware supplied.

## Step 2

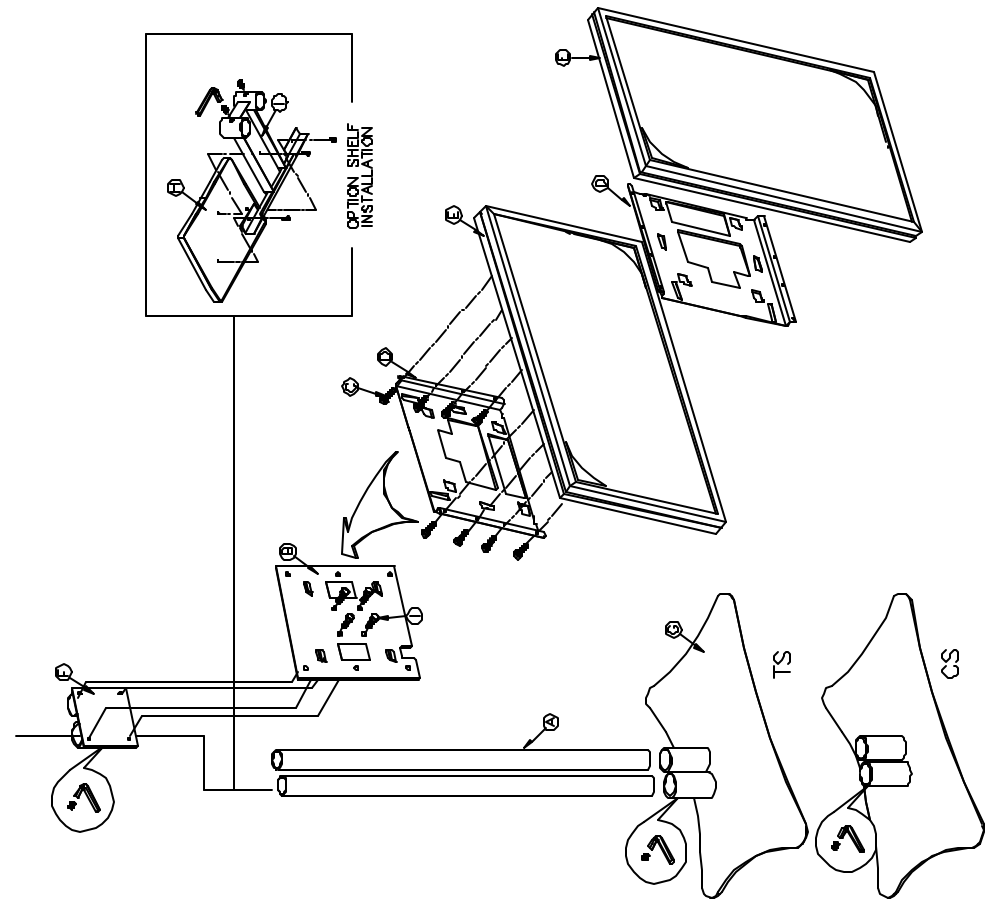
Choose the place where the stand would be located. Place the stand on the floor. Install the two chrome tubes on the receiving points found on the stand. Secure the tubes with an allen wrench. **Optional shelf:** Insert the shelf through the tubes adjust the height and lock it with the allen screws (supplied). Insert the **ADAPP** Bracket through the tubes adjust the height and secure with the allen wrench. Install the **PDB-UWFB** Universal Wall Flat Bracket (make sure that the arrow from the plate is facing up) to the stand by using the four (4) M10 Slotted Hex Bolts (supplied).

## Step 3

Mount the display to the stand (2 people required). Raise the display and insert the openings from the mounting bracket to the slip lock flanges from the PDB-UWFB. Once insert push to the left and down to lock.

---

**Note: For ceiling or floor/ mobile carts mounting, The two (2) 6mmx12mm slotted jam screws may be used for additional security.** The mounting hole is located in the back of the plate and allows the pressure against the receiving tabs.



# INSTALLATION INSTRUCTIONS

## **WARNING!**

The wall should be capable of supporting a weight of at least five (5) times the plasma displays. If not, the ceiling must be reinforced. Proper installation procedure by qualified personnel as outlined in the installation instructions must be adhered to. Failure to do so could result in serious personal injury.

## **Description**

- A. 2" chrome tubes
- B. PDB-UWFB universal Flat Mount
- C. Plasma Hardware
- D. Plasma Display Bracket
- E. Plasma Display
- F. ADAPP- Adapter
- G. Floor Stand TS/CS
- H. (Optional) Shelf
- I. M10 Bolts



## PSD-TS/CS

For further information or ordering assistance contact us at the address shown on the front of this page.



**"We're Customer Driven"**

# Touchboards

205 Westwood Ave, Long Branch, NJ 07740  
Phone: 866-94 BOARDS (26273) / (732)-222-1511  
Fax: (732)-222-7088 | E-mail: [sales@touchboards.com](mailto:sales@touchboards.com)