

## Rotary Series

Our new rotating tilt mounts (models RTM and RTM-L) are the perfect solution for flexible digital signage and presentation environments. Universal mounting arms fit displays ranging from 26" up to 61" (depending on model) and can tilt 10° down or 35° up. Best of all, 360° rotation, with no set stops or limits, enables the screen to be placed portrait or landscape at any time.

- Fits 37"- 61" displays
- 360° rotation w/ lockable settings for portrait or landscape placement
- Integrated tilt-adjustment tool
- 35° upward-tilt; 10° downward-tilt
- Works with dual-pole floor stands
- Fits VESA 200x200 up to 400x800 patterns
- Lifetime warranty
- Max Load: 160 lbs
- Color: Black

Model	Display Size	Max. Wt.	Retail
RTM-L	37"-61"	160 lbs.	\$349.99
RTM-S	26"-37"	125 lbs.	\$329.99



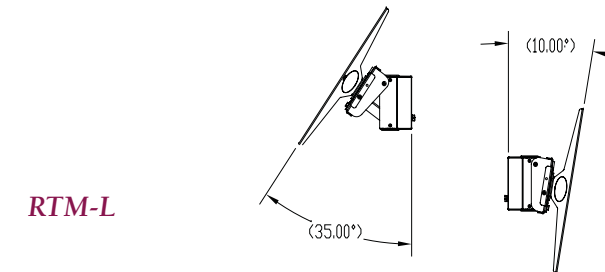
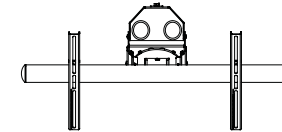
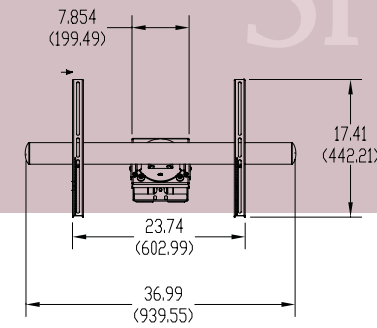
RTM mount shown on TS stand.

RTM-L offers up to 10° of downward tilt.

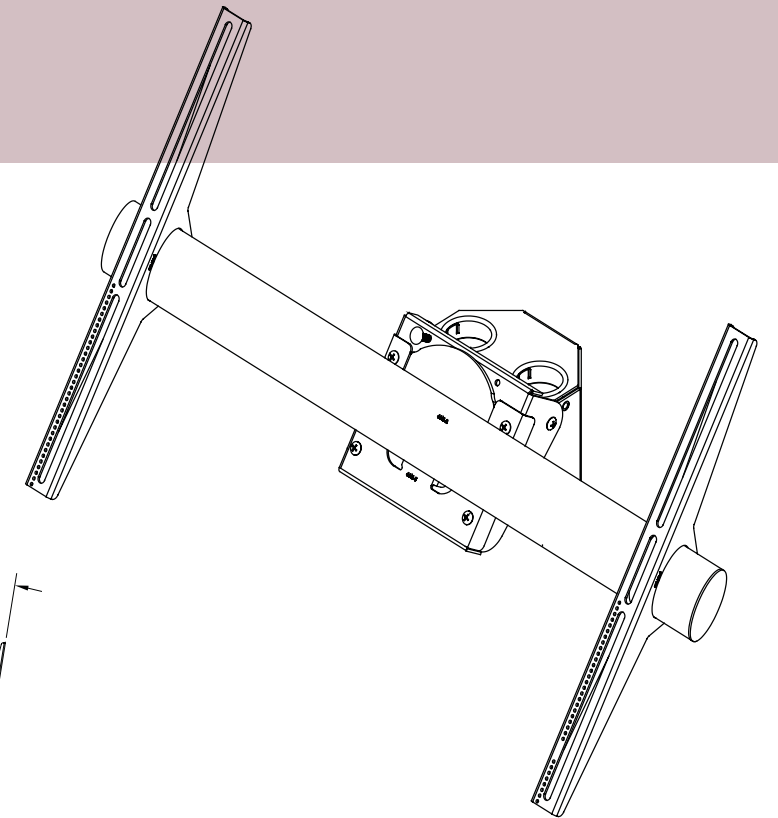
Smooth-turning crank makes it easy to tilt your display up to 35°.



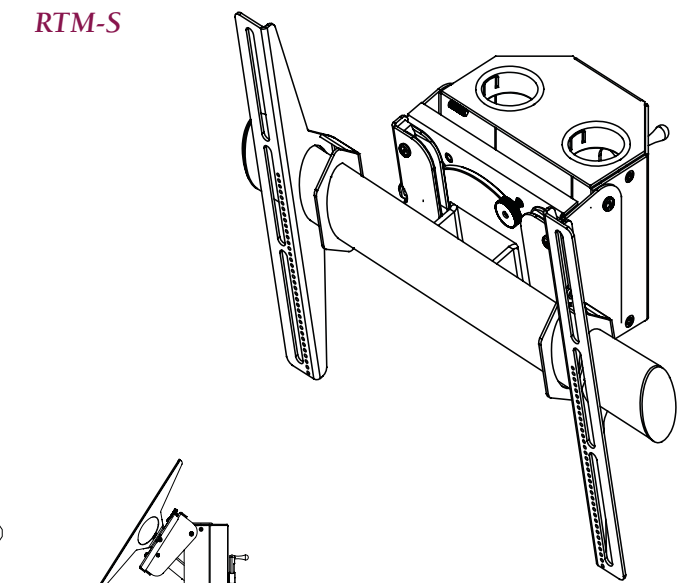
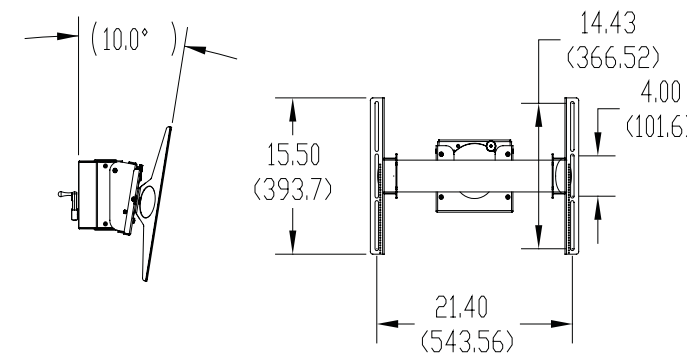
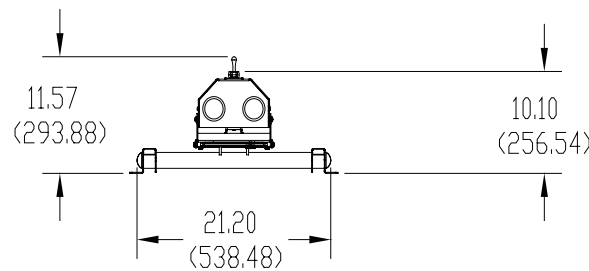
RTM-L shown on Nesting Cart with optional shelf. (Cart shown on page 62.)



RTM-L



RTM-S



All measurements are in inches (mm).

800.368.9700 | www.mounts.com