

Accessories & Adapters

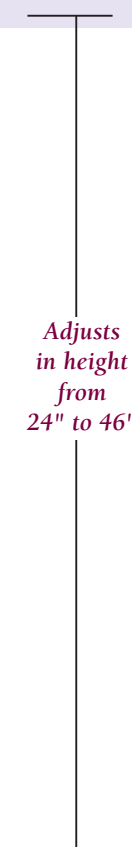
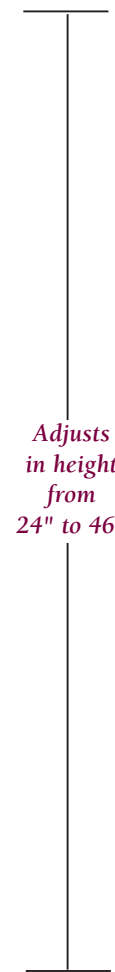
AST-2446 Height Adjustment Ceiling Adapter for 1 1/2" NPT

The AST-2446 mates directly with adapters with a 1 1/2" threaded pipe.

- Adjust height suspension from 24" to 46" (12"-24" if cut*)
- Mates with 1 1/2" threaded pipe
- Cables route through pipe for a neat appearance
- Color: Black

Model	Max. Wt.	Retail
AST-2446	160 lbs.	\$149.99*

*Adapter may be cut in half for a \$50 fee.



Adjusts in height from 13" to 21"

AST-2446/2 Height Adjustment Ceiling Adapter for 2" NPT

The AST-2446/2 mates directly with adapters with a 2" threaded pipe.

- Adjust height suspension from 24" to 46" (12"-24" if cut*)
- Mates with 2" threaded pipe
- Cables route through pipe for a neat appearance
- Color: Black

Model	Max. Wt.	Retail
AST-2446/2	320 lbs.	\$284.99*

*Adapter may be cut in half for a \$50 fee.



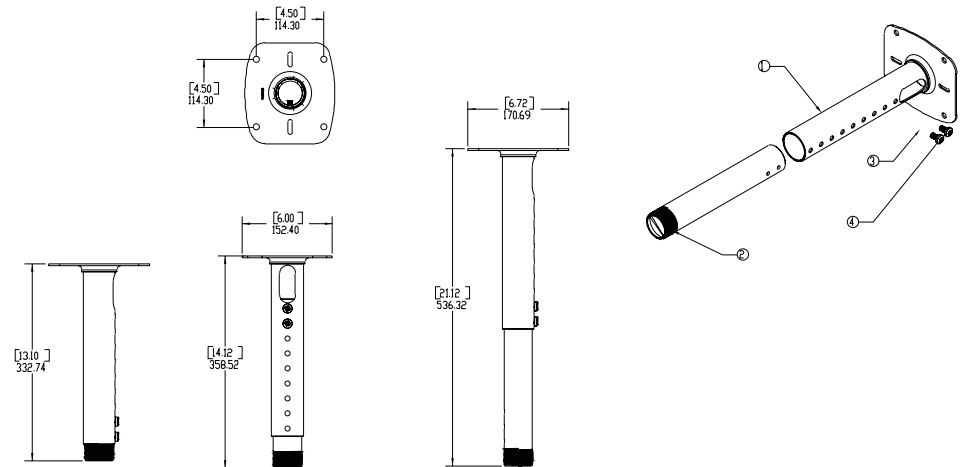
APP-2446 Height Adjustment Adapter for 1 1/2" NPT

The APP-2446 is designed to mate easily with our Polaris Pro or Nova Pro projector mounts.

- Adjust height in 1 1/4" increments from 24" to 46"
- Mates with 1 1/2" threaded pipe
- Cables route through pipe for a neat appearance
- Color: Black

Model	Max. Wt.	Retail
APP-2446	160 lbs.	\$149.99*

*Adapter may be cut in half for a \$50 fee.



AST-1321 Height Adjustment Adapter for 1 1/2" NPT

The AST-1321 mates directly with adapters with a 1 1/2" threaded pipe.

- Adjust height suspension from 13" to 21"
- Mates with 1 1/2" threaded pipe
- Cables route through pipe for a neat appearance
- Color: Black

Model	Max. Wt.	Retail
AST-1321	160 lbs.	\$99.99

All measurements are in inches (mm).