

INSTALLATION MANUAL

PLASMA STAND MODEL

PSD-TS



 **PREMIER
MOUNTS™**
The original holding company

3130 E. Miraloma Ave. Anaheim, CA 92806 Phone: 800 368-9700 Fax: 800 832-4888

www.mounts.com

PREMIER MOUNTS ©2004/ REV 00

Introduction

When combined with a mount, our floor stand allows you to place a flat panel display in a horizontal or vertical position (with the PSM mount only). The floor stand can be configured for single flat panel display. Height adjustable to any points along the stand's vertical post to achieve the perfect viewing height. The flat panel display then locks into place. The post also serves as a conduit for cabling. The PSD-TS stand could mate directly to our CTM or PSM series of mounts.

Contents

- Safety & precautions
- Floor stand diagrams
- Parts List
- (Optional) Accessories
- Installing the Posts to the base
- Securing the adapter
- Installing the back plates
- (Optional) Shelf
- (Optional) Magnetic covers
- Checking for proper safety and security

Safety & Precautions

WARNING Safety precaution measures must be practiced at all times during the installation of this product. Use proper safety gear and tools for the installations procedure to prevent personal injury or damage to the flat panel display or mounts.

WARNING!

The floor structure should be capable of supporting a max weight of 160 Lbs., the weight of the flat panel display. More than 160 Lbs the floor must be reinforced. Proper installation procedure by qualified personnel as outlined in the installations instructions must be adhered to. Failure to do so could result in serious personal injury.

The entire installation instructions should be fully read and understood, including all of the safety symbols and safety precautions, before beginning installation. The installation instructions should be read, understood and followed to prevent personal injury or property damage. Keep these installation instructions in an easily accessible location for future reference.



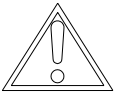
Indicates that the power plug is to be disconnected from the power outlet.



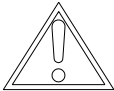
Contact Premier Mounts for any questions



Safety precautions must be taken at all times.



Warning and caution in general



Do not install in locations where there is vibration, movement or danger of impact. Failure to do so could result personal injury and damage to the flat panel display.



Do not install near heater, fireplace, direct sunlight or air conditioning or any other source of direct heat energy. Failure to do so may result in damage to the flat panel display and could cause a risk of fire.



At least two qualified people should always perform the installation work. Injury and damage can result from dropping or mishandling the flat panel display.



The maximum weight of the shelf is 25 lbs max load.

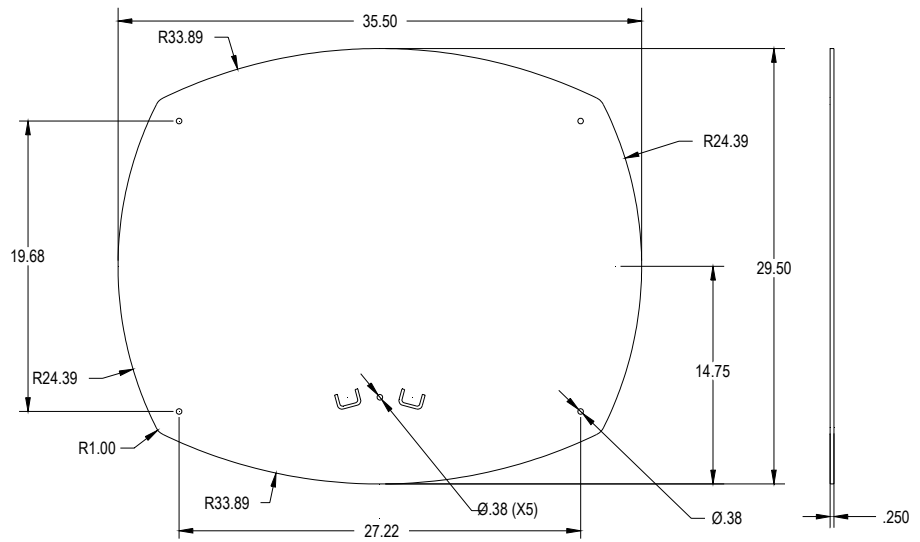
Floor stand diagrams

Our PSD-TS floor stands will mate directly with our CTM and PSM series mounts.

PSD-TS BASE

MATERIAL:
1/4" Steel plate

COLOR:
Silver, Sinterflex gray



NOTE: Use the four .38" diameter securing points to secure the base to the floor.

OPTIONAL POST SIZES

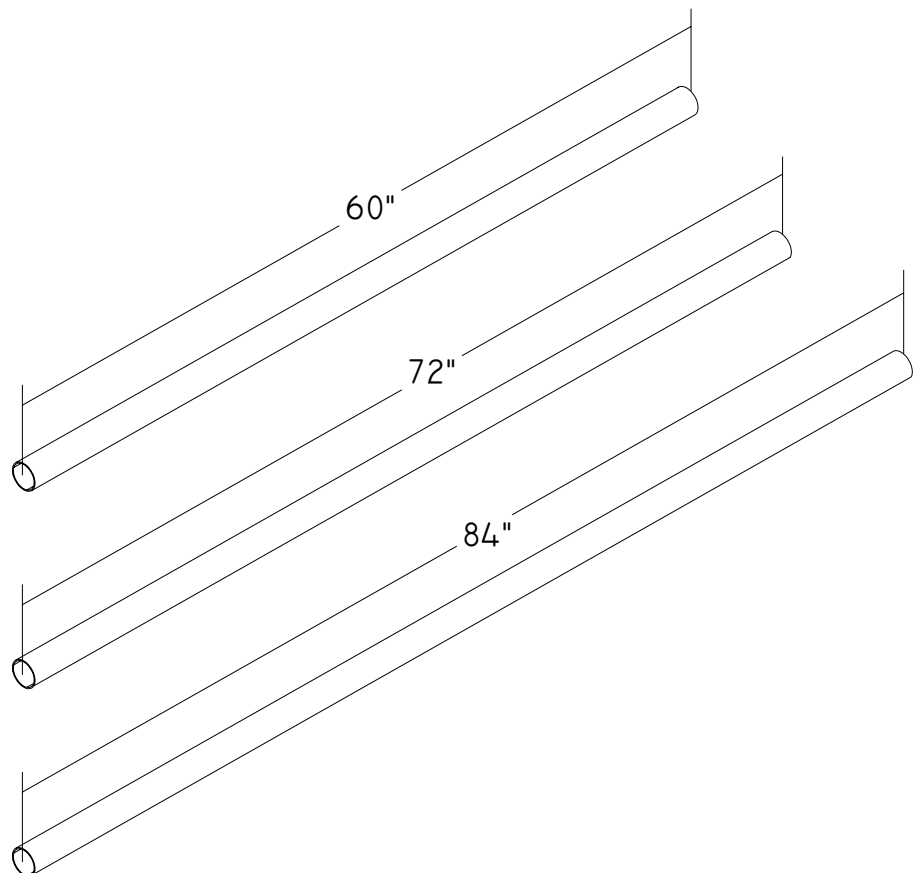
MATERIAL:
2" (dia) Posts

COLOR:
Chrome or Black

60" Height posts

72" Height posts

84" Height posts



Parts List

QTY	SIZE	DESCRIPTION
1	▪	BASE
1	▪	PSD-SPA ADAPTER
1	▪	5/32" ALLEN WRENCH
2	M8 x 10	SOCKET HEAD SCREWS
4	M10 x 12	HEX HEAD SCREWS/ FLAT WASHERS
1	▪	M10 ALLEN WRENCH

TOOLS & SUPPLY NEEDED

- Phillips screwdriver, used on the PSM-Series and (optional) accessory shelf
- 17 (mm) Socket head
- Wrench

Accessories (Optional)

EQUIPMENT SHELF

MATERIAL: 12 (GA) CRS

PSD-SHA: Sinterflex Gray

PSD-SHP COLOR: Silver

MAGNETIC CABLE COVERS

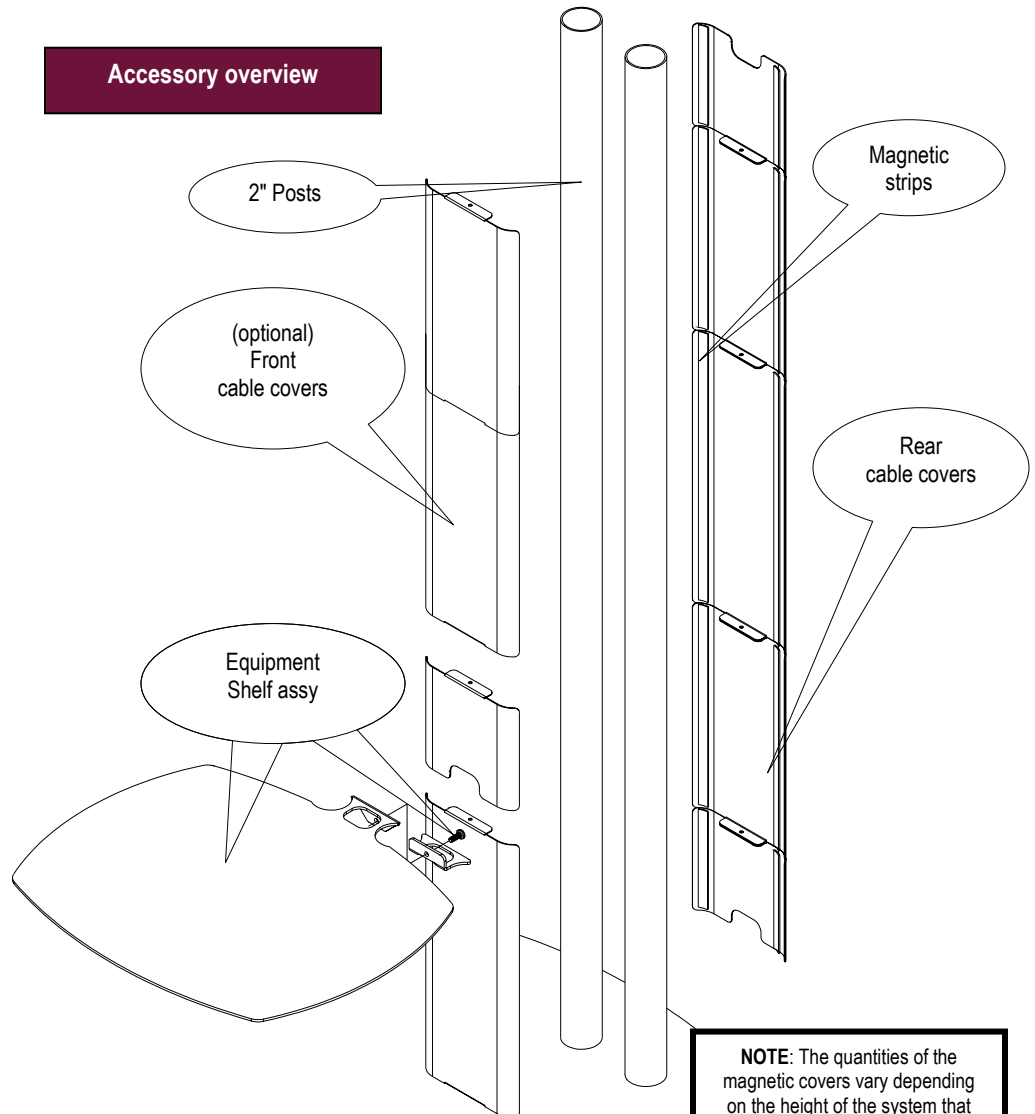
MATERIAL: 18 (GA) CRS

CPA COLOR: Sinterflex Gray

CPB COLOR: Black

CPP COLOR: Silver

Accessory overview

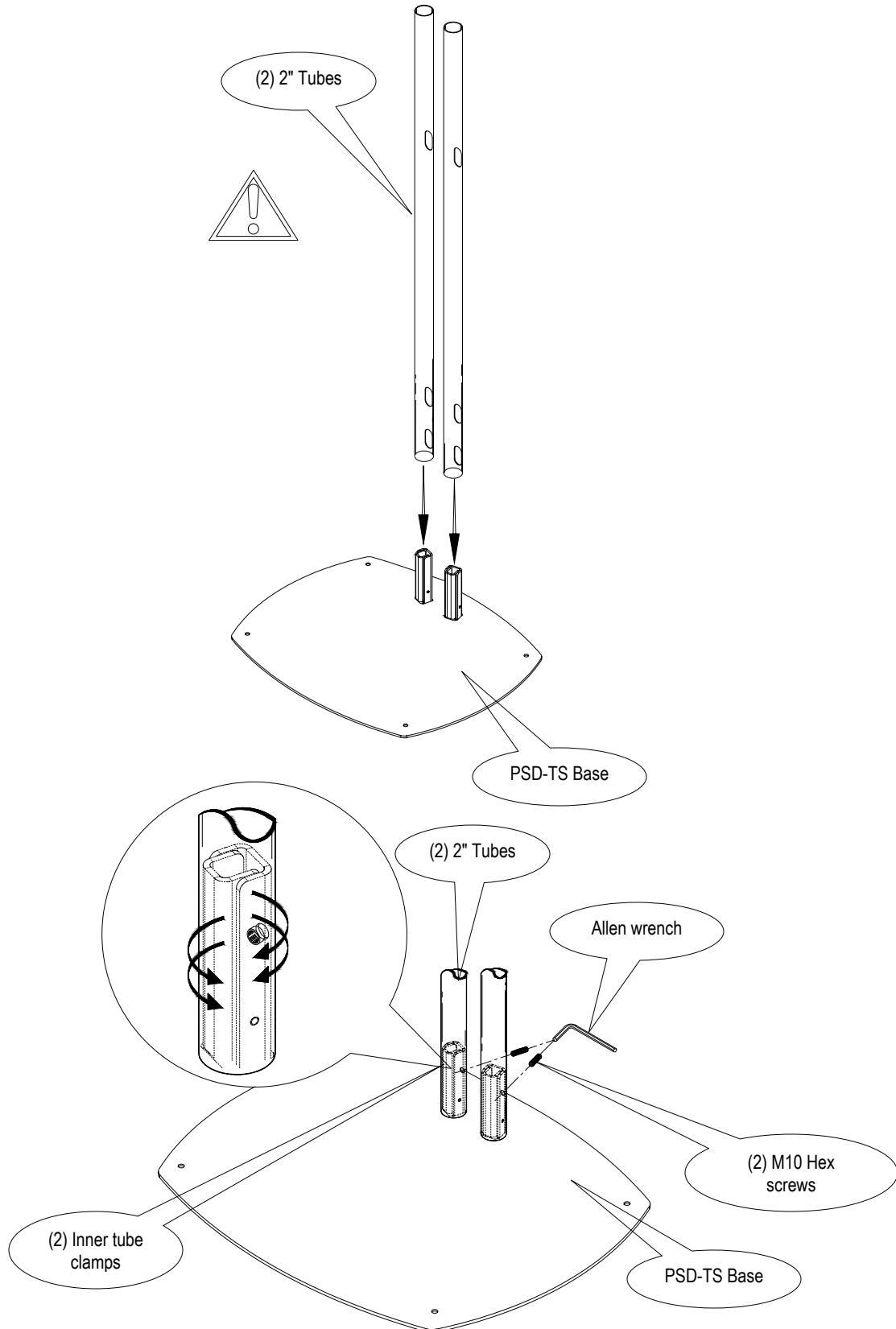


NOTE: The quantities of the magnetic covers vary depending on the height of the system that was ordered.

Installing the posts to the base

The PSM and CTM series mount is required to complete the PSD-CS system. Refer to its installation instructions to install the flat plasma display bracket. The location of the stand must be a flat surface. Remove the stand out of the box and check for all proper hardware, if missing any hardware please call **Premier Mounts**. Insert the tubes over the base columns making sure they are fully seated on the base and the cable access facing the rear of the base. Secure the tubes with two (2) of the M10 Socket head screws with the hex key (supplied). Do not over tighten the hex screws. See figure 1.

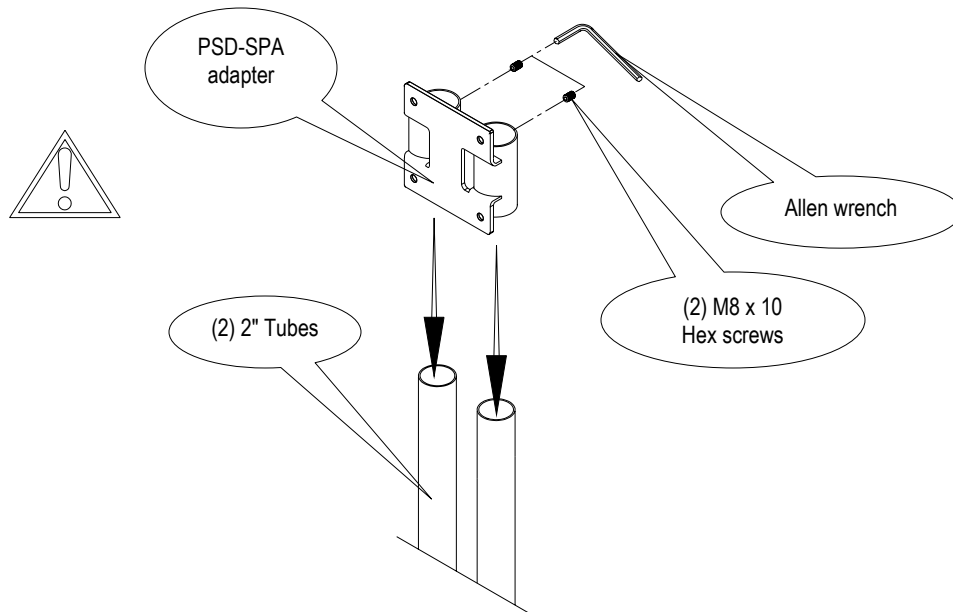
Figure 1



Installing the back plate to the adapter

Install the PSD-SPA (stand adapter) through the top of the tubes and secure it to your desired height with the two (2) M8 x 10 Allen screws (supplied) found on the back of the adapter. Use the 5/32" allen wrench (supplied) to secure the adapter to the posts. See figure 2.

Figure 2



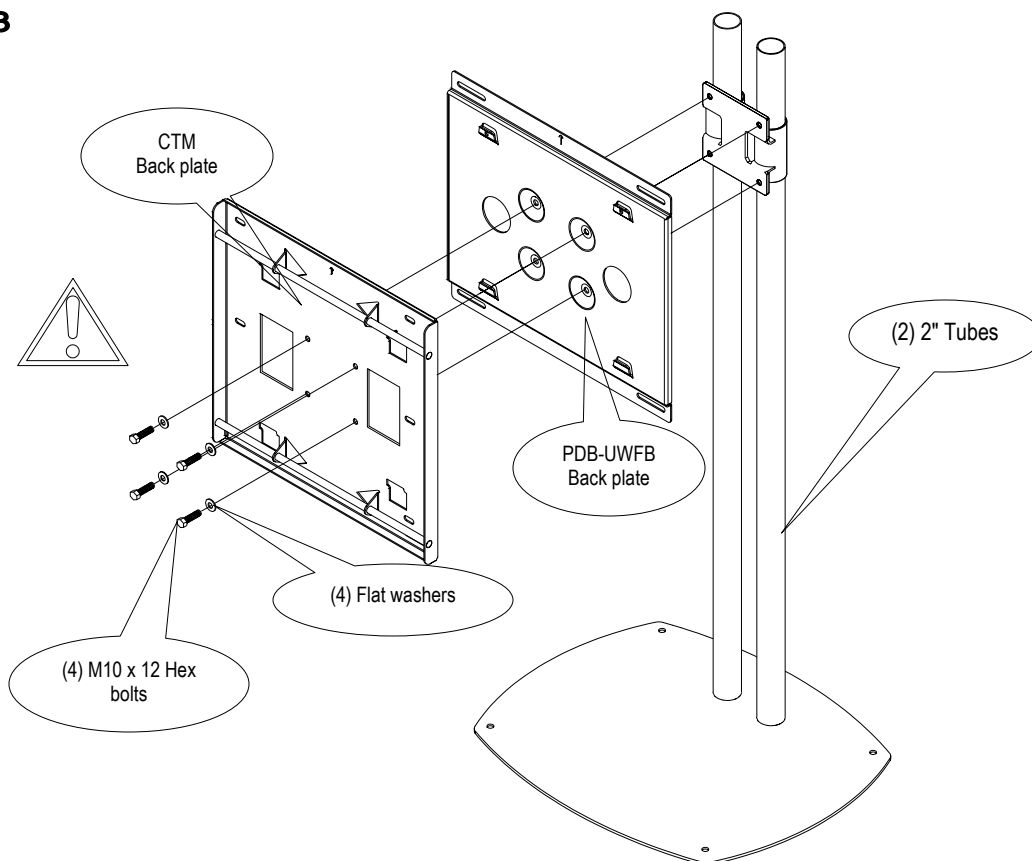
Installing the adapter to the posts

NOTE: The back plate will vary depending on the system ordered. There are two (2) different systems for this stand PSM series and CTM series.

CAUTION: Arrow must be pointing up prior to installation. Secure the following plates to the secured PSD-SPA on the tubes.

For the PDB-UWFB (PSM-Series) secure the back plate to the four (4) threaded mounting points found on the PSD-SPA with the four (4) M10 x 12 bolts and flat washers (supplied).
For the CTM-Back plate (CTM-Series) secure the back plate to the four (4) threaded mounting points found on the PSD-SPA with the four (4) M10 x 12 bolts and flat washers (supplied). See figure 3.

Figure 3



Installing the plasma to the stand

CAUTION: The flat panel display is very heavy two people are required to lift the flat panel and secure it to the stand.

NOTE: To install the PSM-series or CTM-series mounting brackets to the flat panel refer to its installation instructions.

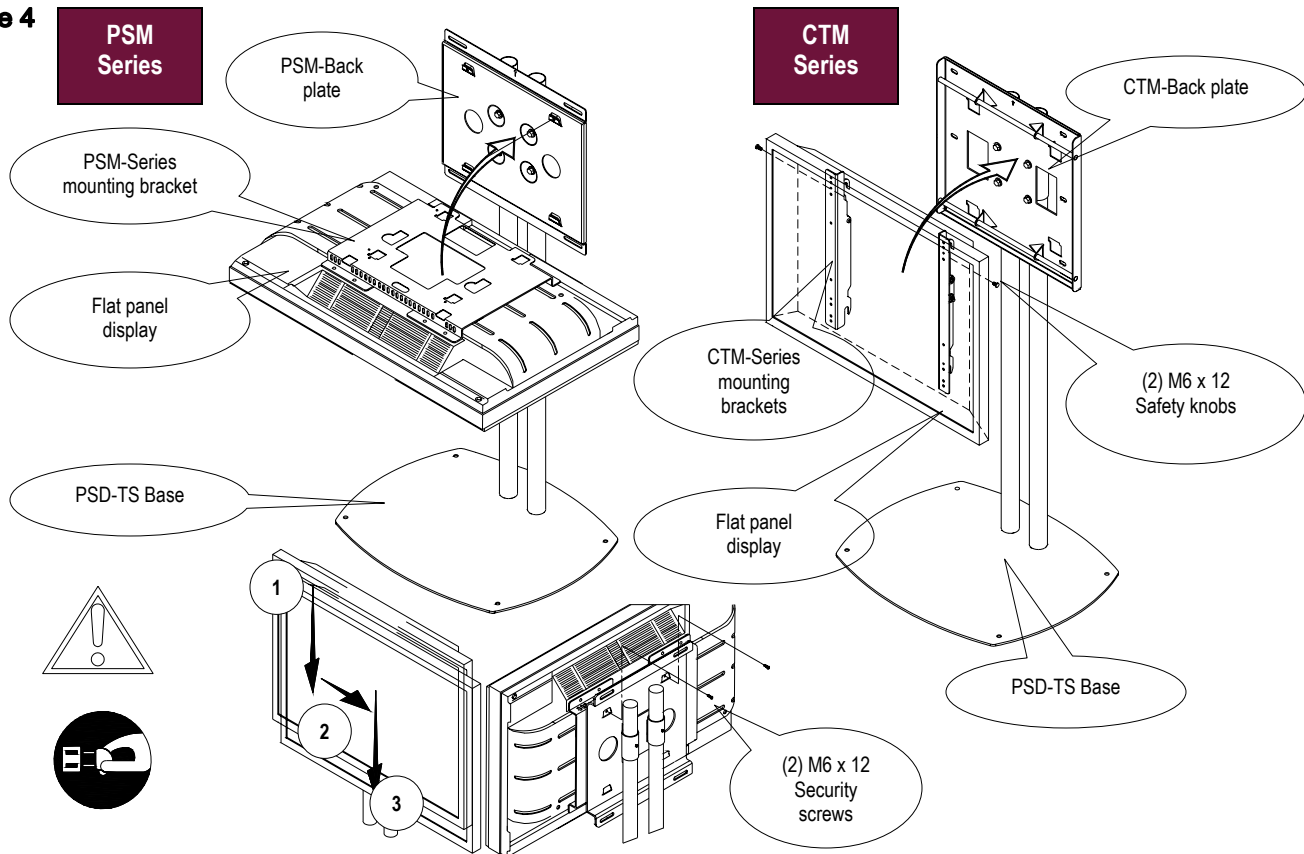
The following diagrams show the CTM and PCM series systems.

PSM-Series: Raise the flat panel display with the mounting bracket secured and insert the four (4) tab openings from the PSM mount to the four (4) receiving tabs found on the PDB-UWFB back plate push the to slide the flat panel display down, right and down again to lock the mounts together. Make sure all tab openings are interlocked with the receiving tabs before letting go of the flat panel. Secure the brackets with the two (2) M6 x 12 (mm) Phillip (supplied) screws for additional security.

CTM-Series: Raise the flat panel display with the left and right brackets secured to the plasma and insert the bottom and top hooks from the mounting arms to the top and bottom rods found on the CTM back plate. Secure the mounting arms with the two (2) M6 x 12 Safety knobs (supplied).

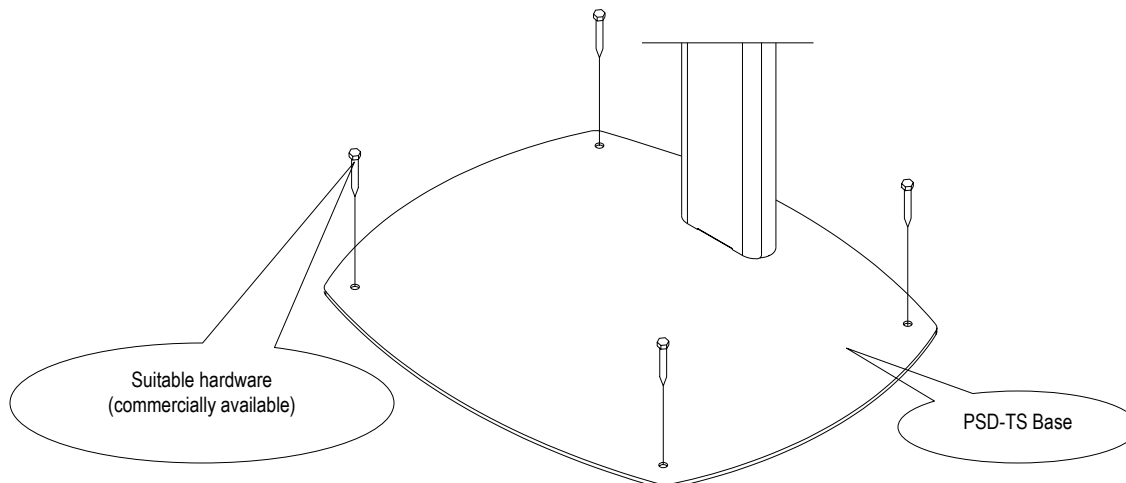
CAUTION: The safety knobs MUST be used failure to do so may result in damage to the flat panel display or personal injury. See figure 4.

Figure 4



Securing the base to the floor (Optional)

If securing the base to the floor use (commercially available) suitable hardware depending on the installation environment hardware,



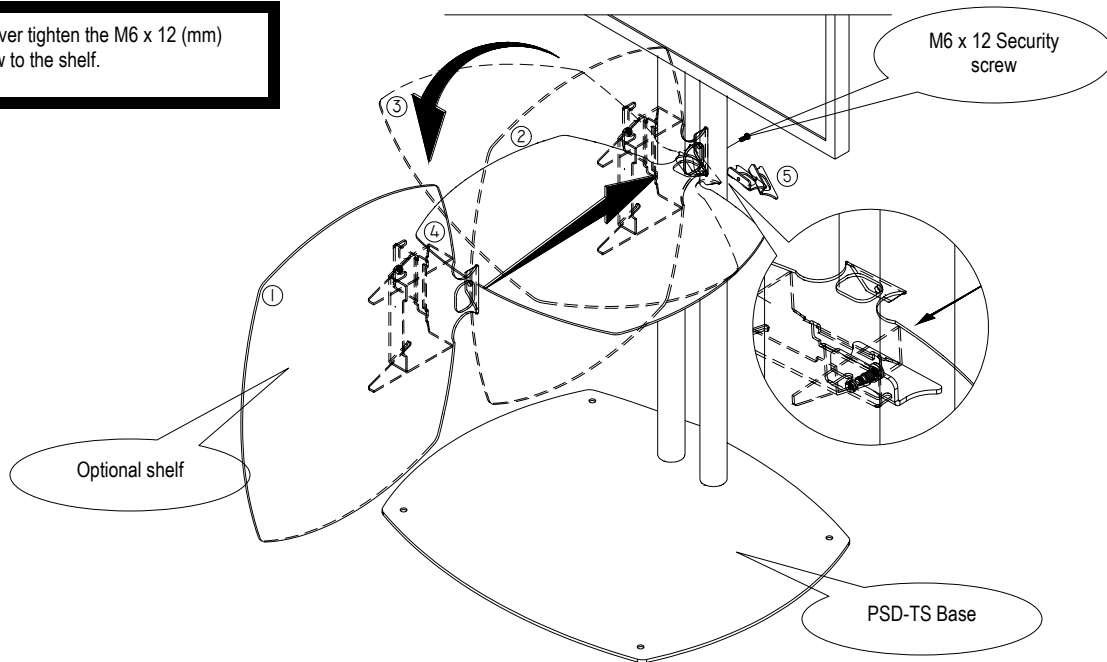
(Optional) shelf installation

NOTE: Do not install the shelf before the PSD-SPA.

The shelf must be added after the flat panel display has been installed to the stand. Install the shelf to the poles in a vertical position bypassing the poles then set the shelf back to horizontal position. Install the shelf adapter as shown and secure the M6 x 12 (mm) Phillip screw. Set the desired height. The shelf adapter will secure the shelf to the posts. See figure 5

CAUTION: Do not over tighten the M6 x 12 (mm) Phillip security screw to the shelf.

Figure 5



(Optional) Cable covers

If using the cable covers the optional shelf must be installed. Draw all your cables through the center of the posts and install the cable covers to the post. The magnetic strips will snap on the poles. The smallest cover (6") must always be installed above the shelf for cable management.

