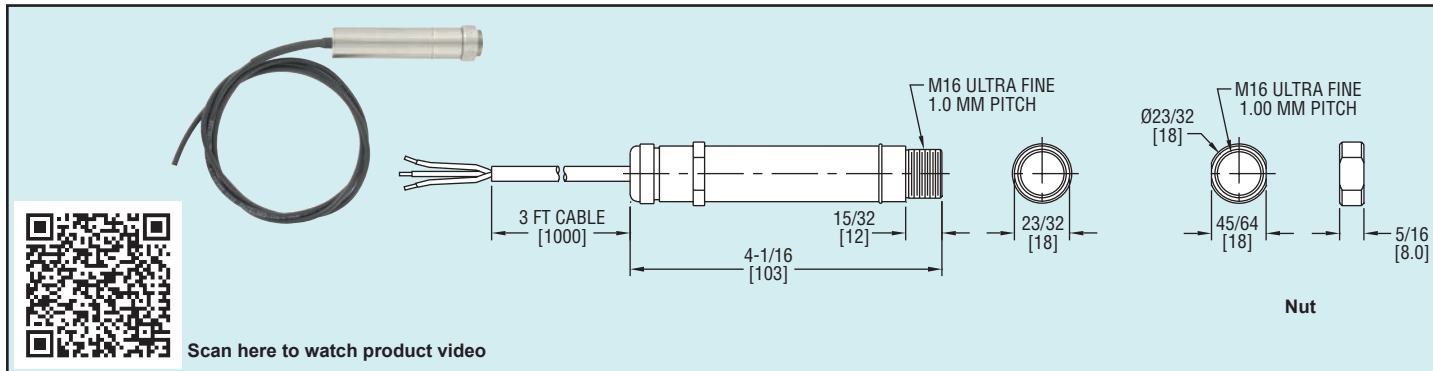




Series  
ILA

# In-Line IR Sensor

15:1 Distance-to-Target Ratio, 32 to 932°F



The Series ILA Non-Contact Sensors, measure temperatures from 32 to 932°F (0 to 500°C) and provide a linear 4 to 20 mA, 0 to 50 mV VDC or thermocouple output. The 2-wire signal is compatible with almost any indicator, controller, recorder, data logger, etc., without the need for special interfacing or signal conditioning. They are suitable for most materials such as food, paper, textiles, plastics, leather, tobacco, pharmaceuticals, chemicals, rubber, coal, and asphalt.

## SPECIFICATIONS

**Temperature Range:** 32 to 932°F (0 to 500°C).

**Accuracy:** 1% of reading or 1°C whichever is greater.

**Emissivity:** 0.95 (fixed).

**Distance to Target Size Ratio:** 15:1.

**Response Time:** 240 ms.

**Temperature Limits:** Ambient: 32 to 158°F (0 to 70°C).

**Power Requirement:** 24 VDC.

**Repeatability:** 0.5% of reading or 0.5°C whichever is greater.

**Outputs:** 4 to 20 mA, 0 to 50 mV, J type thermocouple.

**Cable Length:** 3.3 ft (1 m).

**Spectral Response:** 8 to 14 microns.

**Housing:** SS.

**Weight:** 3.35 oz (95 g).

**Agency Approval:** CE.

Model	Output
ILA10	J Thermocouple
ILA20	4-20 mA

TEMPERATURE

Temperature Sensors