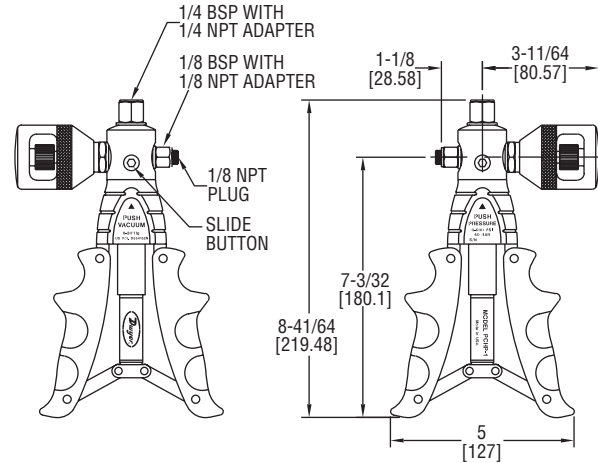


**Dwyer**

SERIES PCHP

# PNEUMATIC CALIBRATION HAND PUMP

Generates up to 600 psi (40 bar), Comfort Grip Handles



The **SERIES PCHP** Pneumatic Calibration Hand Pump sources pressure and vacuum to check calibration of gages, switches, transmitters, and recorders. The contoured cushion handles provide extra comfort while preventing the pump from sliding.

**FEATURES/BENEFITS**

- Oversized check valve maintain smooth operation
- Dual O-rings on pistons ensure no leaks

**APPLICATIONS**

- Instrument calibration
- Laboratories
- Production areas

**ACCESSORY**

Model	Description
PCHP-HK	High pressure hose

**SPECIFICATIONS**

**Output Ranges:** -28 in Hg to 600 psi (-0.945 to 40 bar).

**Process Connection:** 1/4" NPT/BSP.

**Gage Connection:** 1/8" NPT/BSP.

**Materials:** SS fittings, anodized aluminum housing, plastic/rubber handles, and nitrile O-rings.

**Weight:** 2 lb (0.91 kg).

**MODEL CHART**

Model	Description
PCHP-1	Pneumatic calibration hand pump
PCHP-1K	Pneumatic calibration hand pump with hose kit