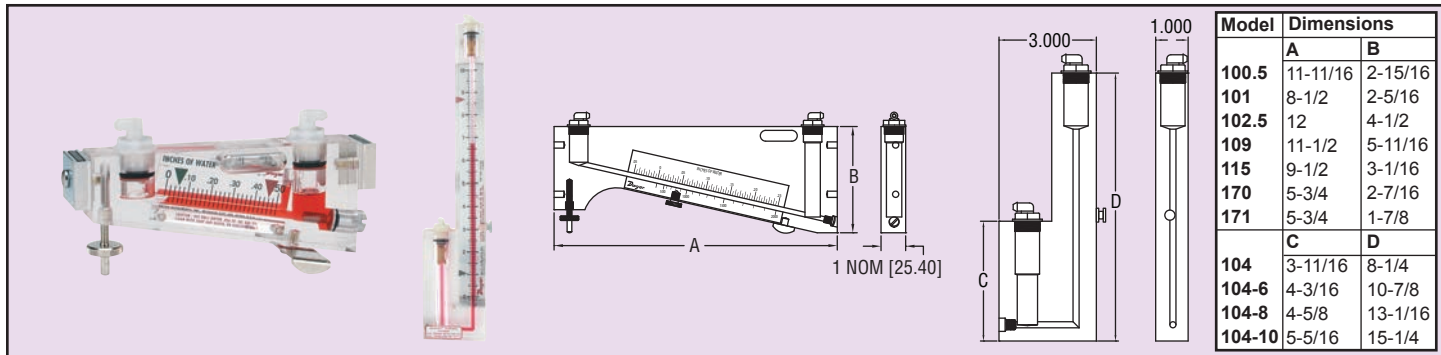




Series
100

Durablock® Solid Plastic Portable Gages

Suitable for Total Pressures Up to 100 psig, Temperatures Up to 150°F,
Accuracy ±2% of Full Scale (1% on Model 115 Only)



Model	Dimensions	
	A	B
100.5	11-11/16	2-15/16
101	8-1/2	2-5/16
102.5	12	4-1/2
109	11-1/2	5-11/16
115	9-1/2	3-1/16
170	5-3/4	2-7/16
171	5-3/4	1-7/8
	C	D
104	3-11/16	8-1/4
104-6	4-3/16	10-7/8
104-8	4-5/8	13-1/16
104-10	5-5/16	15-1/4

Dwyer® solid plastic portable manometers are precision instruments in inclined and vertical (well-type) styles for the measurement of static pressure, vacuum or differential pressure.

To assure the accuracy required in instruments of this type, all machining of bores and wells is to the highest standards of precision backed by Dwyer's years of experience in the fabrication of acrylic instruments.

STANDARD ACCESSORIES

Plastic or steel carrying case (plastic pouch for 170, 171 and 172), two magnetic mounting clips, two rapid shut-off nylon tubing connections, one 9' length rubber tubing, terminal tube and extra bottle .826 red gage fluid.

Inclined Type						
Model	Range Inches of Water	Minor Scale Divisions	Scale Length	Carrying Case		Weight lb.-oz.
				Type	Dimensions	
100.5	.10-0-1.0	.01	8-1/4"	Plastic	13-1/2 x 10 x 2-3/8	5-1
101	.05-0-.50	.01	5"	Plastic	12-1/4 x 6-1/4 x 1-3/4	3-5
102.5	.20-0-2.0	.01	8-3/4"	Plastic	13-1/2 x 10 x 2-3/8	5-10
109	.20-0-3.0	.02	8-3/4"	Plastic	13-1/2 x 10 x 2-3/8	6
115	.05-0-.25	.005	6"	Plastic	12-1/4 x 6-1/4 x 1-3/4	3-10
170	0-50	.02	2-1/2"	Plastic	7 x 9	1-7
171	0-.25	.01	2-1/2"	Plastic	7 x 9	1-6
Vertical Type						
104	0-4	.10	4-1/2"	Plastic	12-1/4 x 6-1/4 x 1-3/4	3-0
104-6	0-6	.10	7-3/4"	Plastic	13-1/2 x 10 x 2-3/8	4-8
104-8	0-8	.10	9"	Metal	18-1/2 x 4-3/8 x 2-1/4	4-12
104-10	0-10	.10	11-1/8"	Metal	18-1/2 x 4-3/8 x 2-1/4	4-15

Note: Model 100.5 replaces model 100. Model 102.5 replaces model 102.



100.5, solid plastic portable gage with .10-0-1.0 in w.c. range. Shown with carrying case and standard accessories.



104, solid plastic portable vertical manometer shown attached to inside of carrying case cover. Gage may also be removed from case and used in standing position or attached to any vertical steel surface with magnetic clips provided.