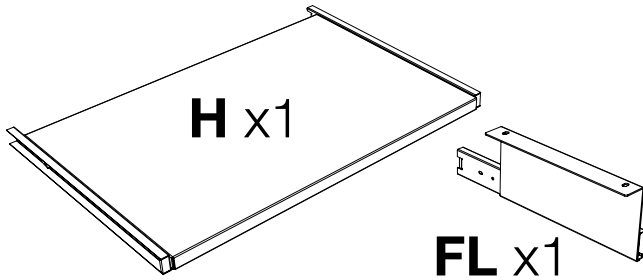


Pullout Keyboard Shelf Instructions

for Plastic Carts

08/06/13

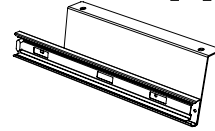
Parts List



Tools Required

- Phillips Screwdriver

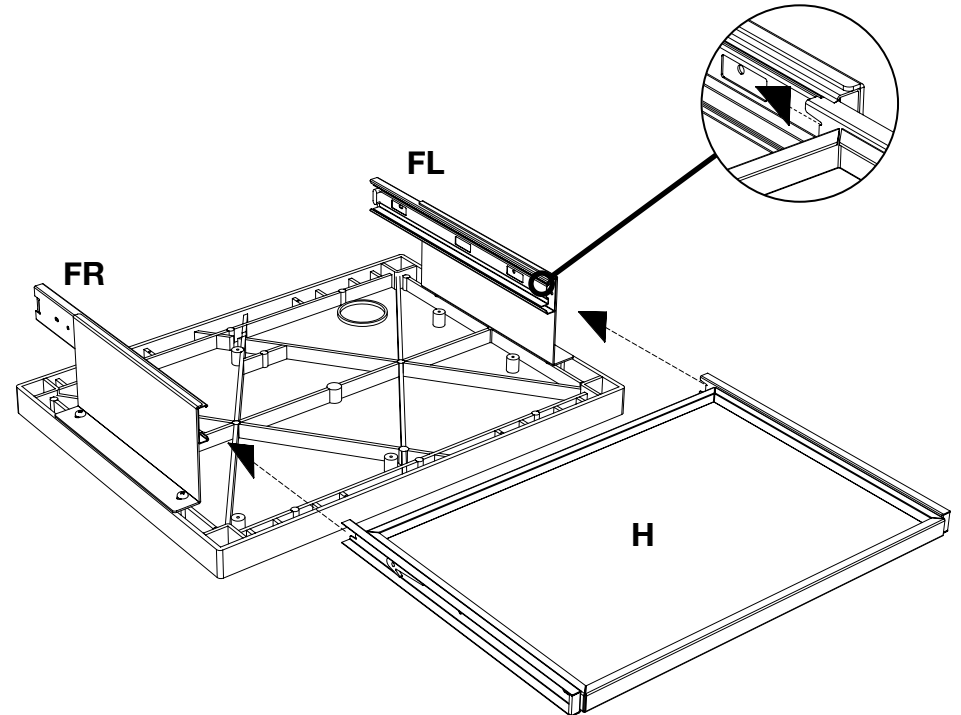
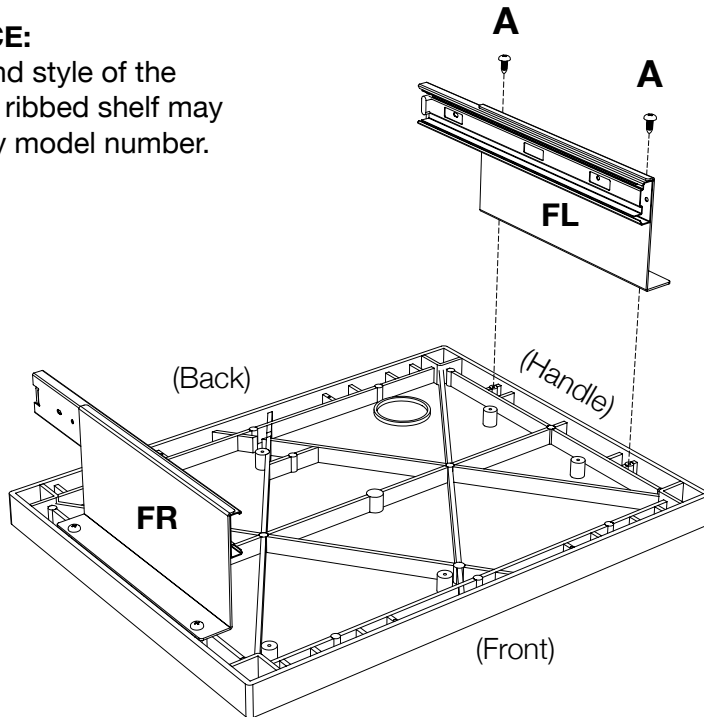
FR x1



A x4

NOTICE:

Size and style of the plastic ribbed shelf may vary by model number.



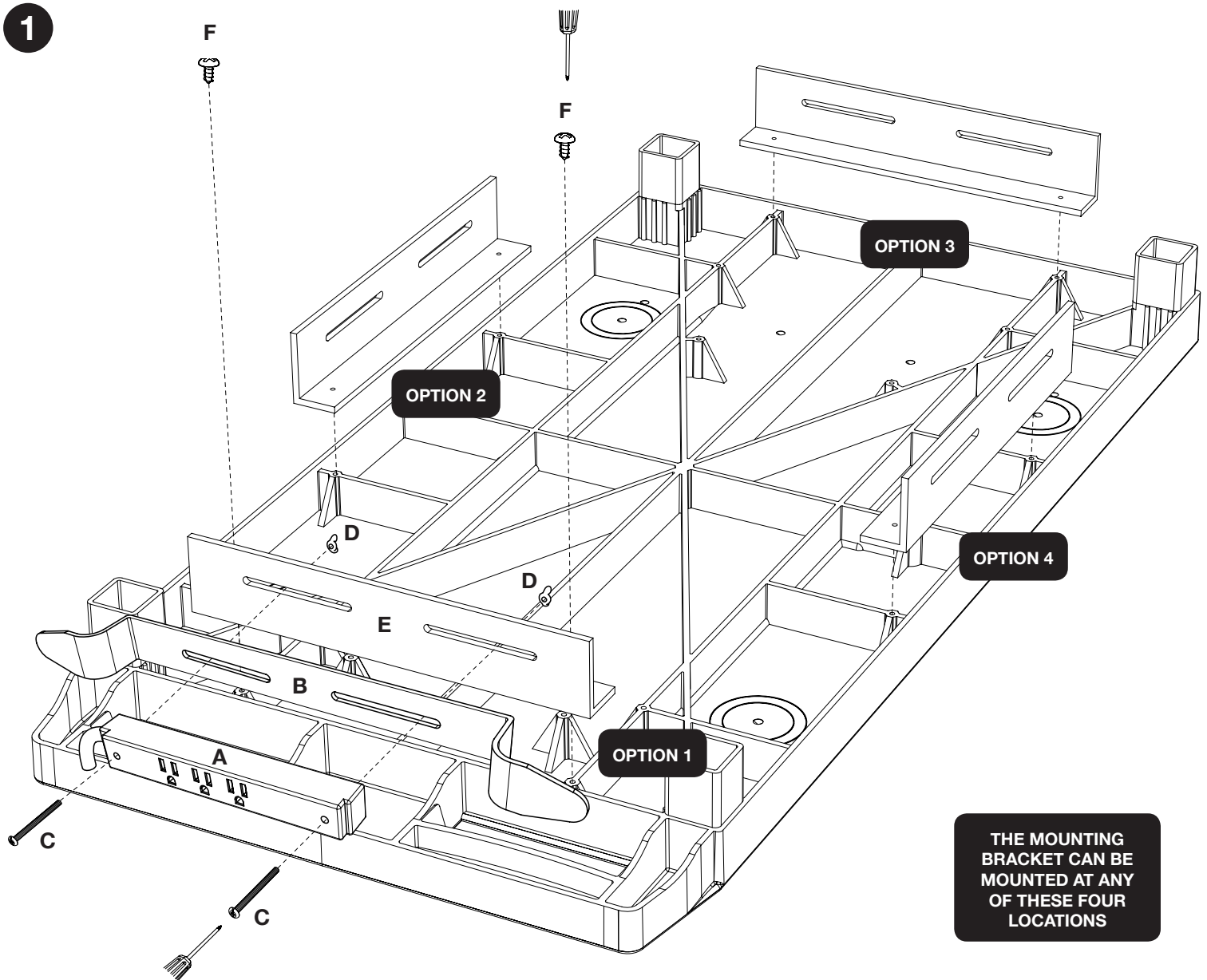
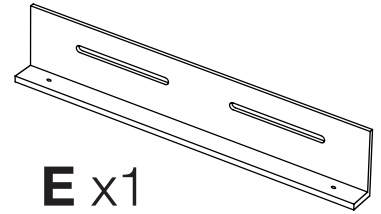
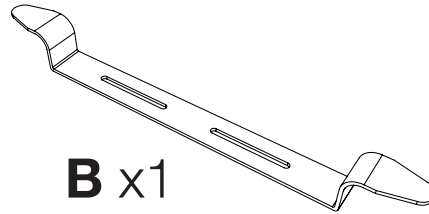
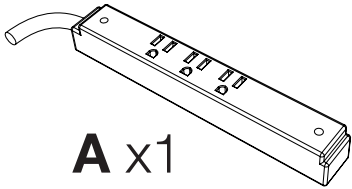
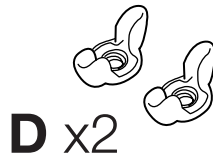
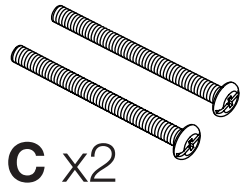
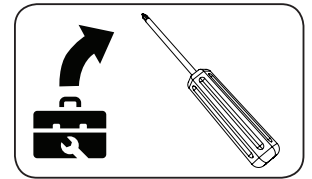
Take the top shelf of your plastic cart and lay it flat. Collect parts: **FL**, **FR** & **A**. Align **FR** & **FL** to the outer holes at the top of the shelf. Take screw **A** and fasten with a screwdriver, do not tighten fully until keyboard is attached.

Collect parts: **H**. Align the pullout shelf **H** runner so that the runner snaps into place into the **FL** & **FR** brackets. Pull the shelf out to make sure it is fully seated. Tighten screws **A**. Pullout keyboard shelf assembly is now complete.

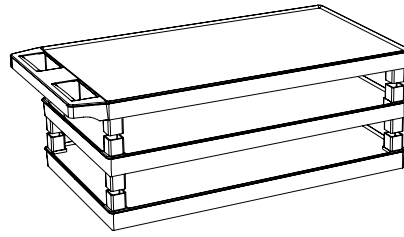
Electric Assembly Instructions

03/31/15

Number of outlets
may vary.



Parts List



A x1

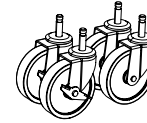
C x1

B x1

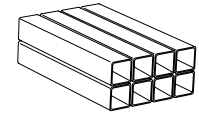
Tools Required

- Rubber Mallet

D x2

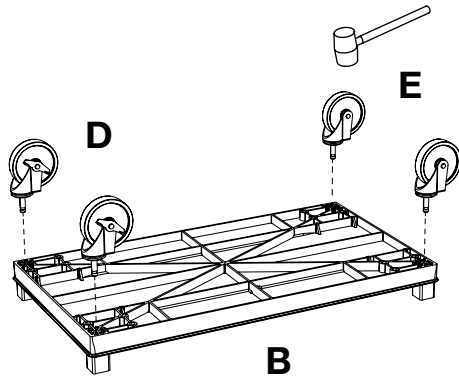


E x2

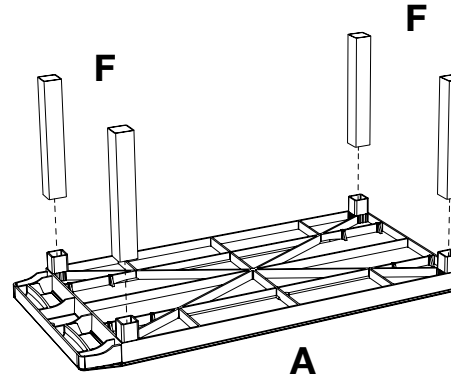


F x8

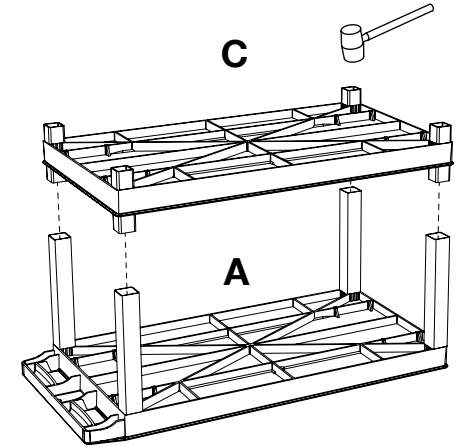
1



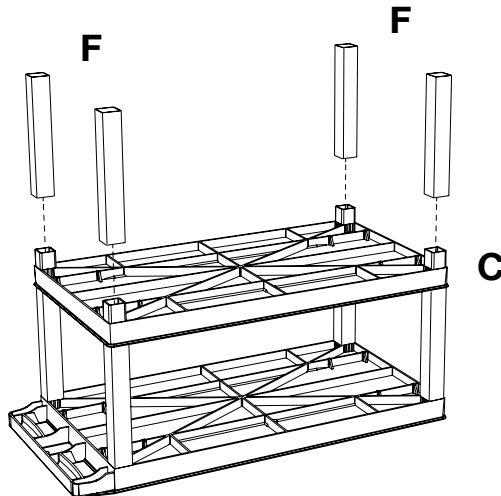
2



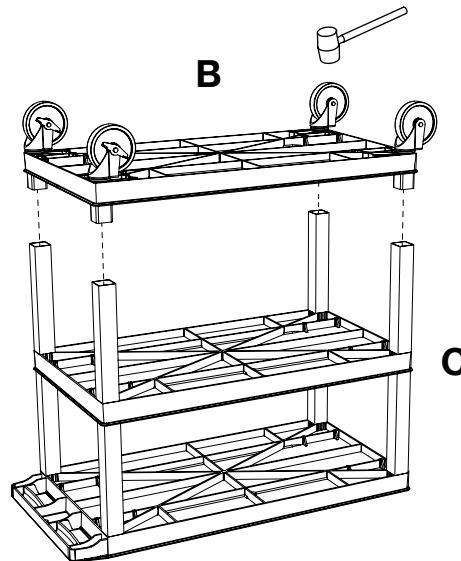
3



4



5



6

