

▼ Aquajack® Tensioner EAJ2LC with Quick Fastening Nut



- Compact design
- Long piston stroke
- Misalignment compensation
- Quick, simple hose connection
- Visible piston stroke indication
- ‘No spill’ overstroke elimination
- Quick fastening or solid reaction nut

▼ *Guaranteed to save time and increase efficiency, Aquajack® tensioners improve diver safety, productivity and reduce diver fatigue.*



The Most Cost-Effective Solution to Subsea Bolt or Stud Tightening



Quick Fastening Nut Design

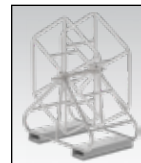
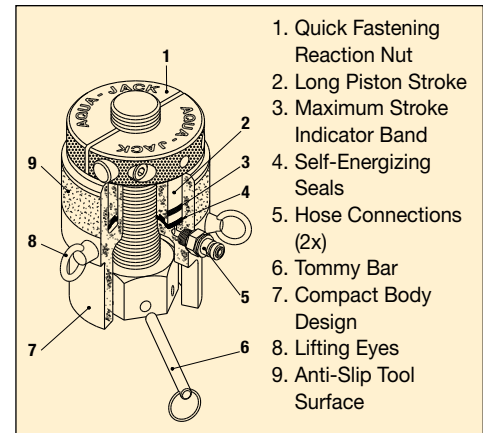
Easily positioned in poor visibility conditions, Aquajack® subsea tensioners feature a

compact design and long piston stroke. The unique Split Nut® design of these tools allows rapid application to long bolts and damaged threads, and rapid tool removal.



No Oil Spillage or Over-Stroking

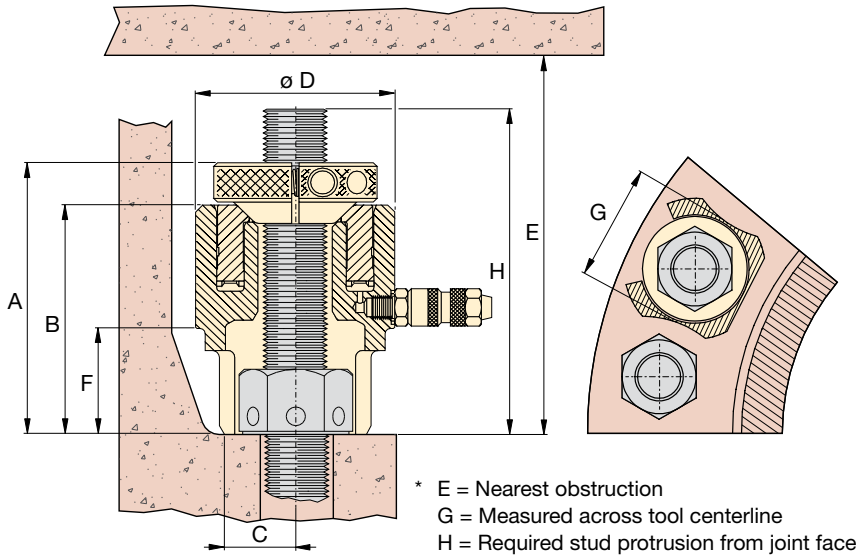
Innovative tool design ensures maximum tool strokes can be used without over-stroking the piston or oil spillage. Guaranteed to save time and increase efficiency, Aquajack® subsea tensioners improve diver safety, productivity and reduce diver fatigue.



Hose Reel and Stand

Stainless steel stand with 21,750 psi hoses from 98 up to 885 ft. lengths. All hose reels are built up with multiple 98 ft. length hoses.

Aquajack® Subsea Tensioners



EAJ Series



Bolt Range:

3/4" - 3 1/2" | M20 - M90

Maximum Load Capacity:

17.0 - 260 tons

Maximum Operating Pressure:

21,750 psi

Load Cell Model Number *	Thread Size	Quick Fastening Nut Model Number	Cylinder Effective Area (in ²)	Maximum Load Capacity (ton)	Stroke (in)	Dimensions (in)								Tool Wt. (lbs)
						A	B	C	D	E*	F	G*	H*	
EAJ1LC	3/4" - 10 UN	EAJ1QFN0750U10	1.56	17.0	0.79	4.49	3.58	0.75	2.60	8.54	1.38	2.09	4.69	3.31
	7/8" - 9 UN	EAJ1QFN0875U09												
	M20 x 2,5	EAJ1QFNM02025												
	M22 x 2,5	EAJ1QFNM02225												
EAJ2LC	1" - 8 UN	EAJ2QFN1000U08	2.57	28.0	1.18	5.79	4.72	0.98	3.23	11.38	1.97	2.44	5.98	6.61
	M24 x 2,5	EAJ2QFNM02425												
	M27 x 3,0	EAJ2QFNM02730												
	1 1/8" - 8 UN	EAJ2QFN1125U08												
EAJ3LC	1 1/4" 8 UN	EAJ3QFN1250U08	3.91	42.6	1.18	6.20	5.16	1.10	3.86	12.09	2.28	3.07	6.42	9.92
	M33 x 3,5	EAJ3QFNM03335												
	1 3/8" - 8 UN	EAJ3QFN1375U08												
	M36 x 3,5	EAJ3QFNM03635												
EAJ4LC	1 1/2" - 8 UN	EAJ4QFN1500U08	5.71	62.2	1.18	6.73	5.35	1.30	4.49	12.56	2.48	3.58	6.93	13.23
	M39 x 4,0	EAJ4QFN03940												
	1 5/8" - 8 UN	EAJ4QFN1625U08												
	M42 x 4,5	EAJ4QFNM04245												
EAJ5LC	1 3/4" - 8 UN	EAJ5QFN1750U08	9.16	99.6	1.18	7.24	5.75	1.57	5.47	13.46	2.76	4.49	7.44	19.84
	M45 x 4,5	EAJ5QFNM04545												
	1 7/8" - 8 UN	EAJ5QFN1875U08												
	M48 x 5,0	EAJ5QFNM04850												
	2" - 8 UN	EAJ5QFN2000U08												
EAJ6LC	M52 x 5,0	EAJ5QFNM05250	12.88	140.2	1.18	7.91	6.34	1.93	6.46	14.45	3.23	5.43	8.11	28.66
	M56 x 5,5	EAJ6QFNM05655												
	2 1/4" - 8 UN	EAJ6QFN2250U08												
	M60 x 5,5	EAJ6QFNM06055												
EAJ7LC	2 1/2" - 8 UN	EAJ6QFN2500U08	19.17	208.6	1.18	9.06	7.01	2.95	7.56	15.75	3.74	6.06	9.25	41.89
	M64 x 6,0	EAJ6QFNM06460												
	M68 x 6,0	EAJ7QFNM06860												
	2 3/4" - 8 UN	EAJ7QFN2750U08												
EAJ8LC	M72 x 6,0	EAJ7QFNM07260	23.98	260.9	1.18	9.72	7.60	2.68	8.39	16.22	4.29	7.17	9.92	54.01
	M76 x 6,0	EAJ7QFNM07660												
	3" - 8 UN	EAJ7QFN3000U08												
	M80 x 6,0	EAJ8QFNM08060												
	3 1/4" - 8 UN	EAJ8QFN3250U08												
M85 x 6,0	EAJ8QFNM08560													
	3 1/2" - 8 UN	EAJ8QFN3500U08												
	M90 x 6,0	EAJ8QFNM09060												

* Tommy Bar is included with Load Cell.