

DS-2TP31B-3AUF

Handheld Thermography Thermal Camera



Hikvision's DS-2TP31B-3AUF Handheld Thermography Thermal camera is specially designed to detect elevated skin-surface temperature with high accuracy in real time. It is equipped with a 160×120 resolution thermal detector. It can be widely used for preliminary temperature screening in office buildings, factories, stations, airports, and other public places.

Available Model

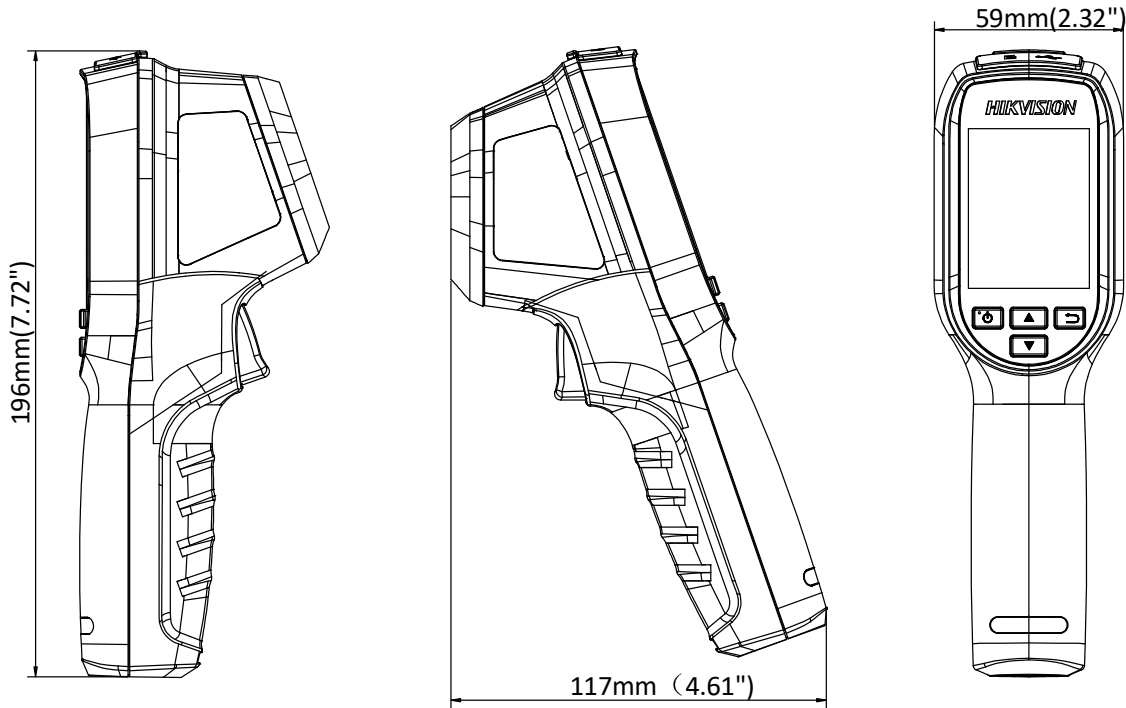
DS-2TP31B-3AUF

- 160 × 120 Resolution
- Thermographic Accuracy: $\pm 0.9^{\circ}\text{F}$ ($\pm 0.5^{\circ}\text{C}$)
- 320 × 240 Resolution, 2.4" LCD Display
- Built-In Rechargeable Li-Ion Battery
- Up to 8 Hours Continuous Operation
- Displays Real-Time Temperature on Screen
- 8 GB MicroSD Memory Card (128 GB Maximum) To Store Snapshots/Data
- Supports 4 Palettes

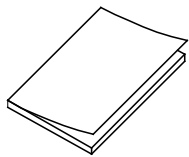
Specifications

DS-2TP31B-3AUF		
Thermal Module	Image Sensor	Uncooled focal plane arrays
	Maximum Resolution	160 × 120
	Pixel Pitch	17 μm
	Response Waveband	8 μm to 14 μm
	NETD	<40 mK (@ 25° C, F#=1.0)
	Field of View	37.2° × 50°
	Focal Length	3.1 mm
	I FOV (mrad)	5.48 mrad
	Minimum Focus Length	≥5.9" (≥150 mm)
	Aperture	f/1.1
Image Display	Monitor	320 × 240 resolution 2.4" LCD display
	Palettes	Black hot, white hot, rainbow, ironbow
Thermography	Rules	3 thermometry points: maximum temperature, minimum temperature, center temperature
	Thermographic Range	86° to 113° F (30° to 45° C)
	Thermographic Accuracy	±0.9° F (±0.5° C)
Battery	Battery Type	Rechargeable lithium battery
	Battery Operating Time	8 hours continuous operation
General	Storage	MicroSD memory card slot (includes 8 GB, supports up to 128 GB storage)
	Photo	Thermal image
	Language	English
	Power	3.7 VDC/0.4 A
	Power Consumption	Less than 1.2 W
	Hardware Interface	Micro USB
	Working Temperature	(10° to 35° C)
	Protection Level	IP54
	Drop Test Height	6.56 ft (2 m)
	Dimension	7.7" × 4.6" × 2.3" (196 mm × 117 mm × 59 mm)
	Weight	Approximately <0.77 lb (<350 g)
	Included Accessories	Power adaptor, USB cable, 8 GB microSD memory card, user manual, disc, wrist strap

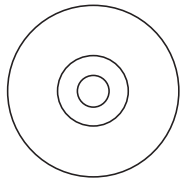
Dimensions



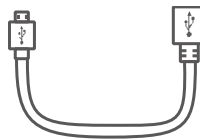
Box Contents



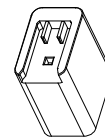
User Manual x 1



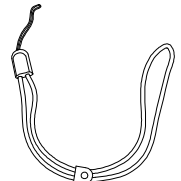
Disc



USB Cable x 1



Power Adapter x 1



Wrist Strap x 1