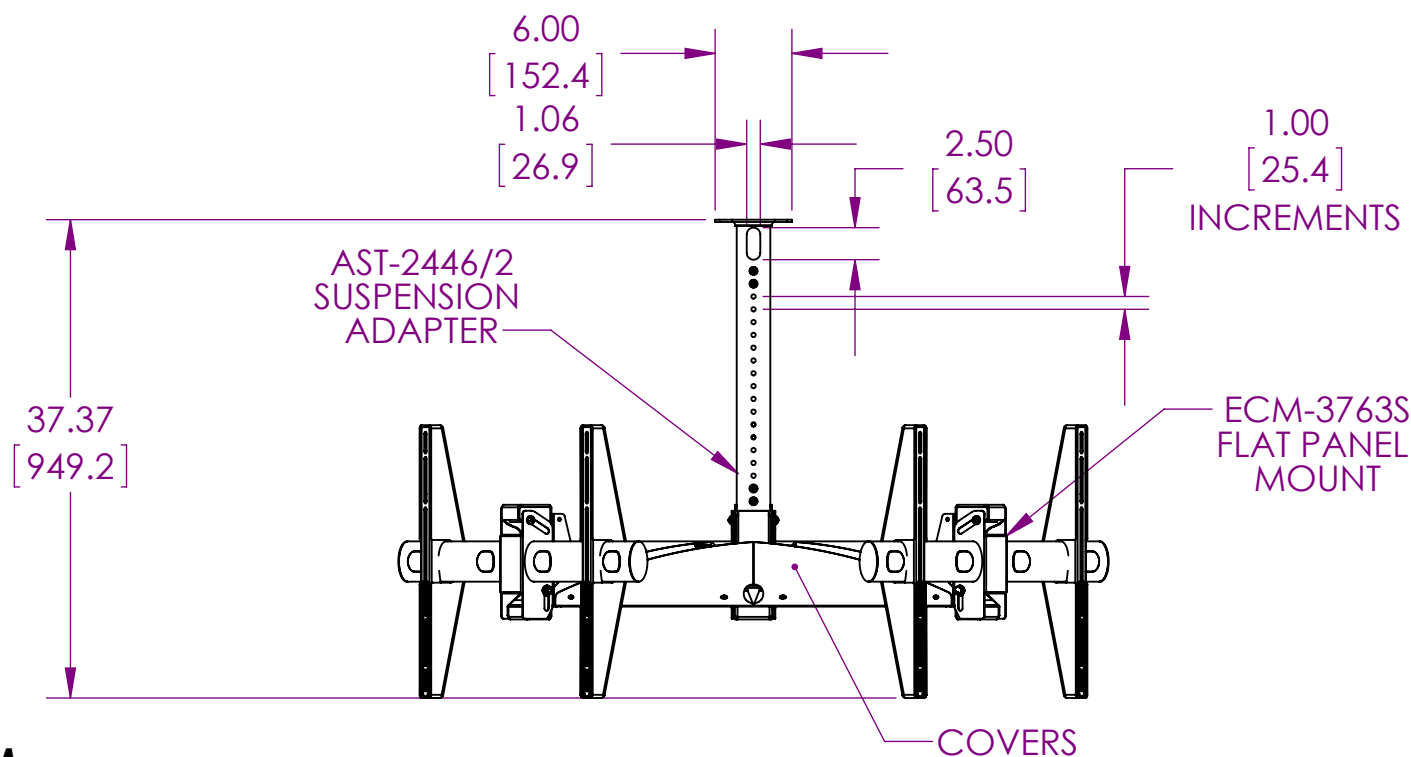
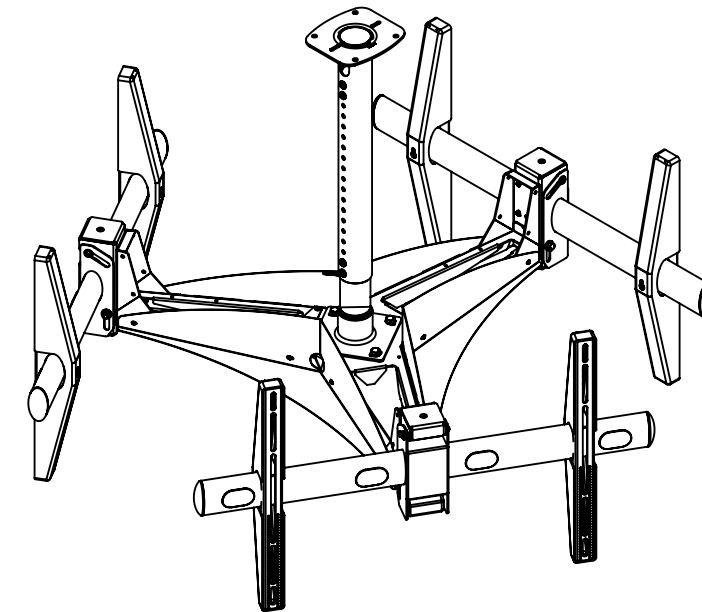
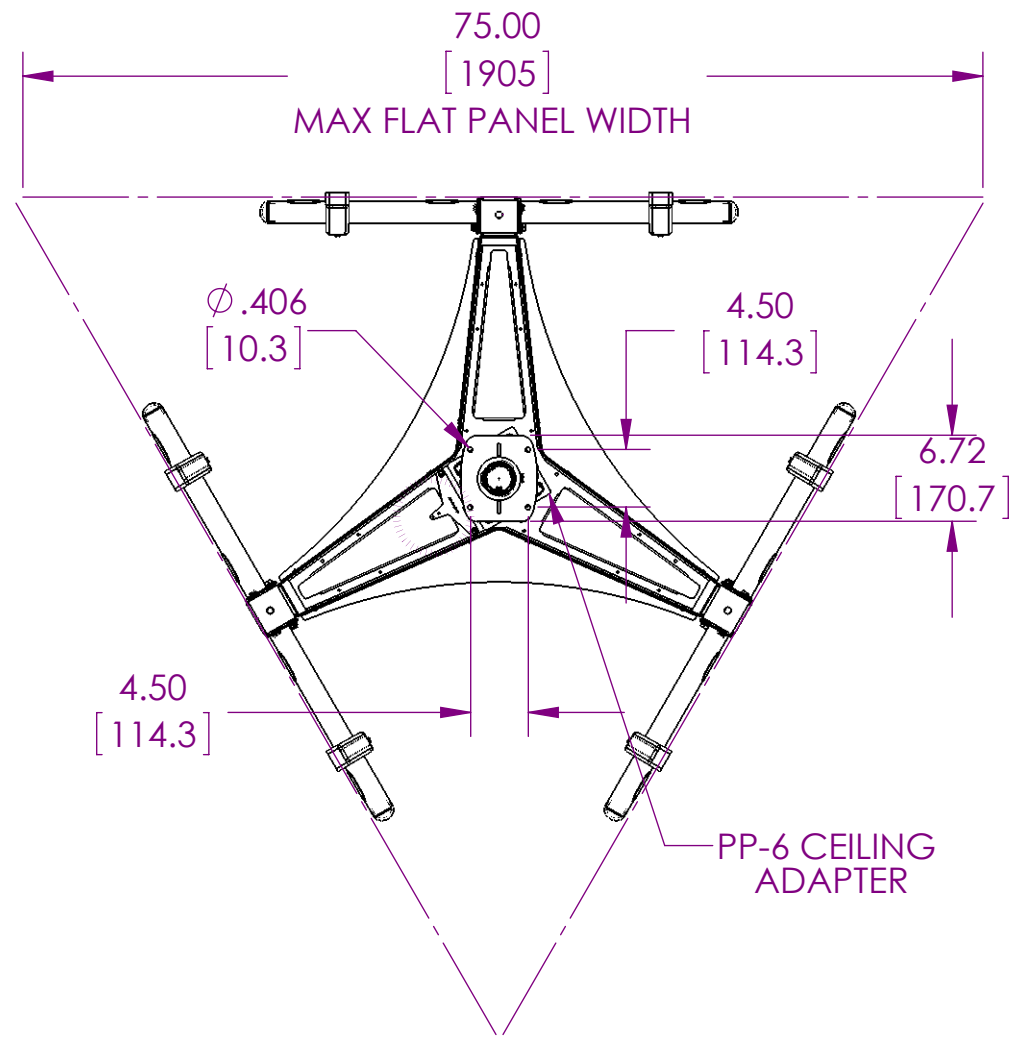


THE INFORMATION CONTAINED IN THIS DRAWING IS THE SOLE PROPERTY OF PREMIER MOUNTS DIVISION OF <PMPI> ANY REPRODUCTION IN PART OR WHOLE WITHOUT THE WRITTEN PERMISSION OF PREMIER MOUNTS DIVISION OF <PMPI> IS PROHIBITED.



○ POWER BOX LOCATION
 WEIGHT CAPACITY: 525 LBS
 DIMENSIONS ARE IN INCH AND [MM]

PREMIER MOUNTS
 THE ORIGINAL MOUNT COMPANY
 1321 South State College Blvd
 Fullerton Ca, 92831
 P. 800.368.9700 - F. 800.832.4888

ITEM DESCRIPTION:
TRIPLE FLAT PANEL CEILING MOUNT

SIZE B	DWG. NO. ECM-3000
SCALE: 1:15	
SHEET 1 OF 1	