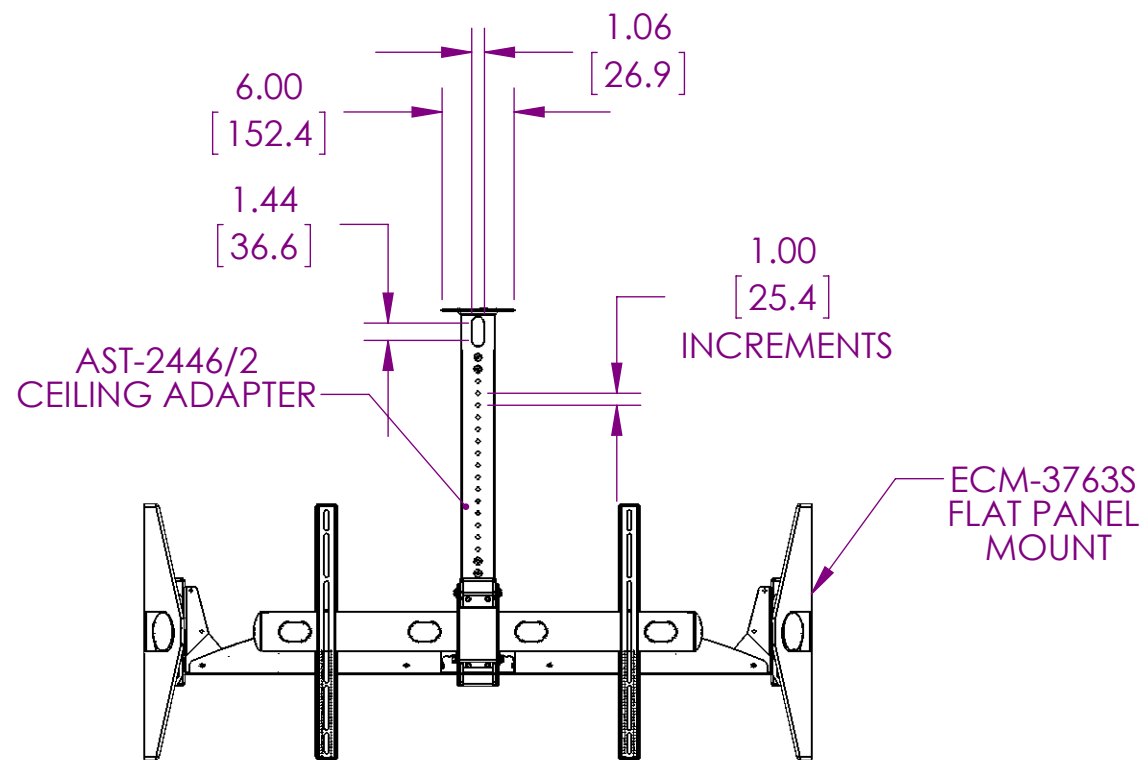
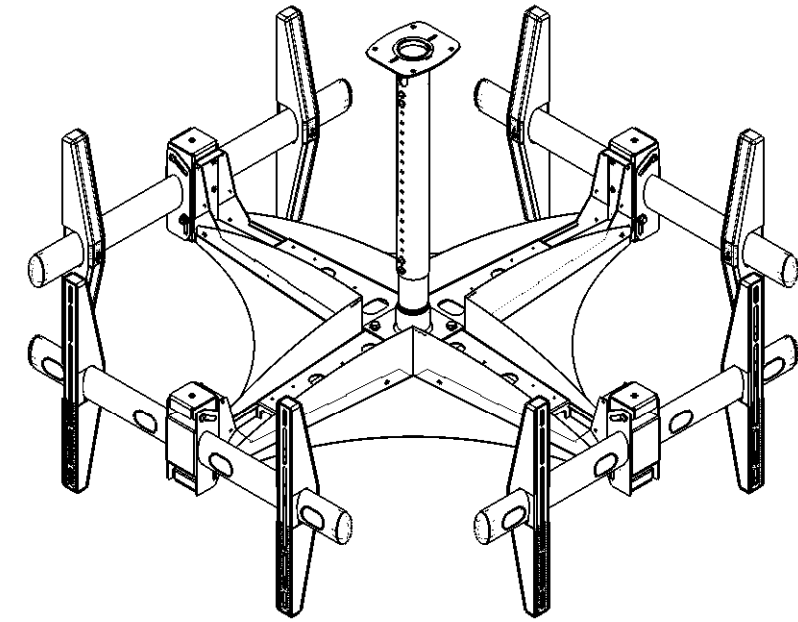
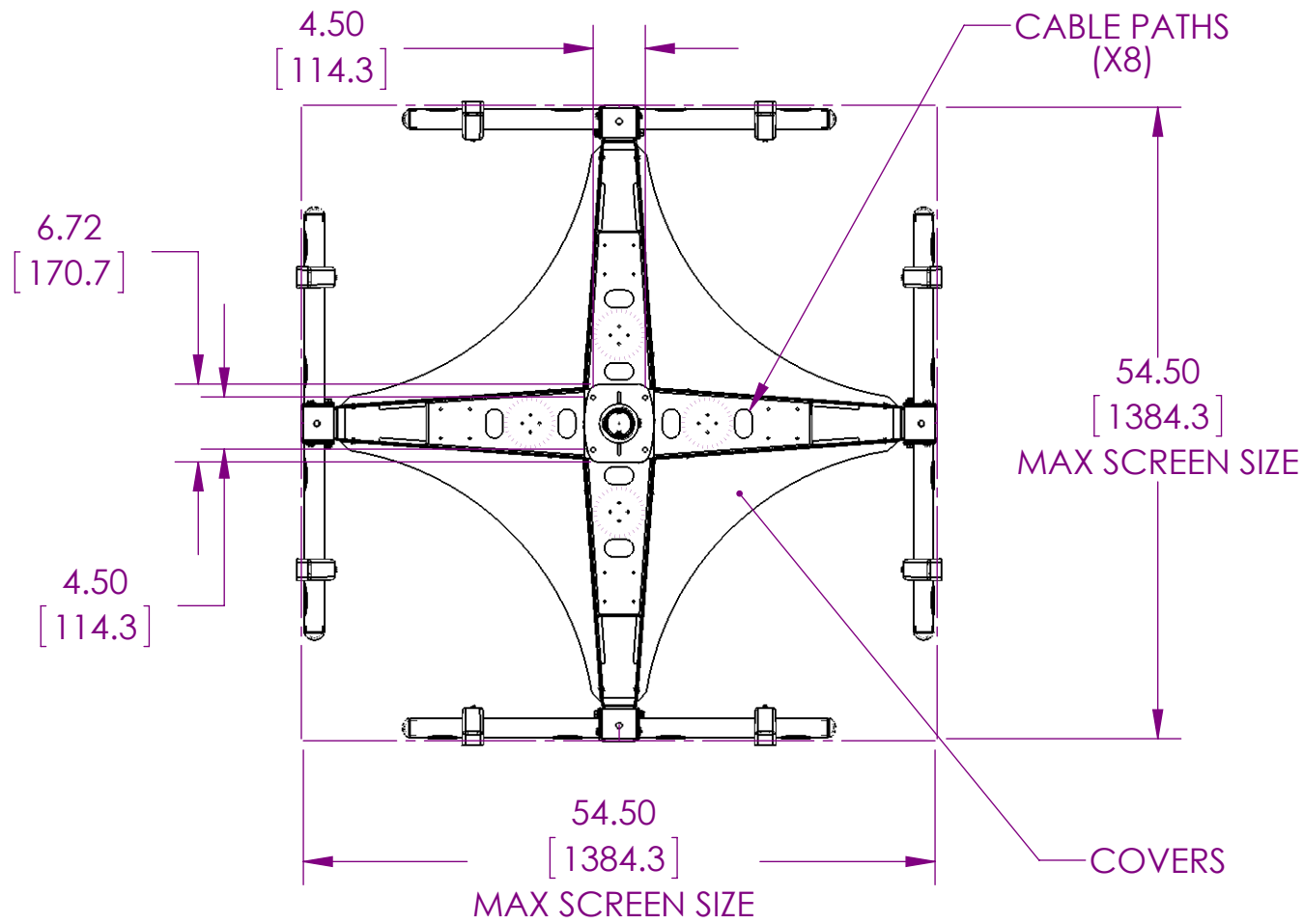


THE INFORMATION CONTAINED IN THIS DRAWING IS THE SOLE PROPERTY OF PREMIER MOUNTS DIVISION OF <PMPI> ANY REPRODUCTION IN PART OR WHOLE WITHOUT THE WRITTEN PERMISSION OF PREMIER MOUNTS DIVISION OF <PMPI> IS PROHIBITED.



POWER BOX LOCATION  
 WEIGHT CAPACITY: 700 LBS  
 DIMENSION ARE IN INCH AND [MM]

**PREMIER MOUNTS**  
 THE ORIGINAL MOUNT COMPANY  
 1321 South State College Blvd  
 Fullerton Ca, 92831  
 P. 800.368.9700 - F. 800.832.4888

ITEM DESCRIPTION:  
**QUADRUPLE FLAT PANEL CEILING MOUNT**

SIZE B	DWG. NO. <b>ECM-4000</b>
SCALE: 1:16	
SHEET 1 OF 1	