

ECM-4000

Installation Guide

Installationsanleitung, Guía de Instalación, Guida de Installazione, Guide d'Installation, Installatie gids



Elliptical Ceiling Mount for 37" to 63" Flat Panels

Model: ECM-4000

Touchboards

205 Westwood Ave, Long Branch, NJ 07740
Phone: 866-94 BOARDS (26273) / (732)-222-1511
Fax: (732)-222-7088 | E-mail: sales@touchboards.com

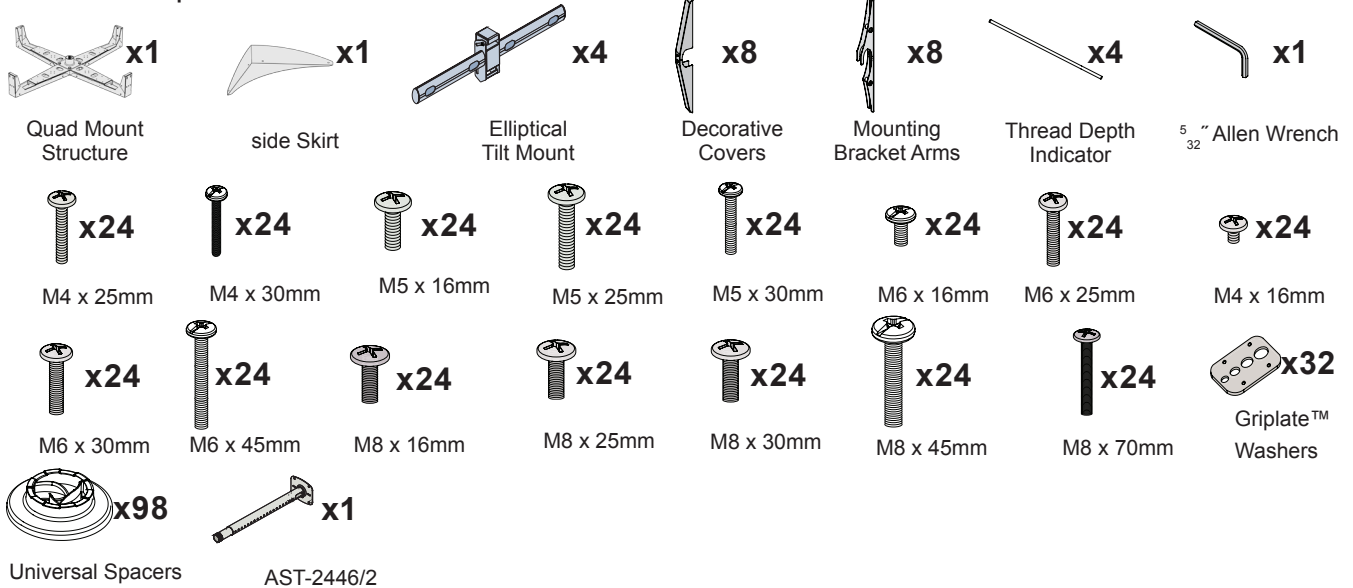
Warranty, Garantie, Garantía, Garanzia, Garantie, Waarborg: <http://www.mounts.com/warranty>

www.mounts.com | North America 800.368.9700 | International +1-714-632-7100
1321 S. State College Blvd., Fullerton, CA 92831 USA

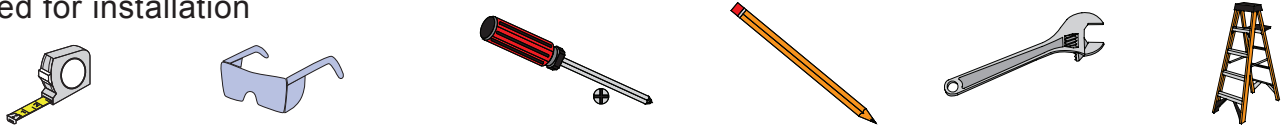
9531-000-000-0X Rev.0

Max Flat-Panel Capacity: 80 lb. each

Included components



Required for installation



The ceiling should be capable of supporting a weight of at least five times the product weight. If not, the ceiling surface must be reinforced. Proper installation procedure by qualified personnel as outlined in the installation instructions must be adhered to.

Mounting hardware is not included with this product. Commercially available hardware must be used for this installation. The hardware used will depend on your installation environment (i.e. wood stud, concrete surface, metal I-beam etc).

Separate the upper and lower halves of the AST-2446/2 by removing both M8 screws and wave washers. Unpack the trio mount and place it on the ground.

The set screw on the threaded coupler must be backed out in order for the AST-2446/2 to be threaded into place.

Thread the lower half of the AST-2446/2 into the threaded coupler on the trio mount. The lower half of the AST-2446/2 must be threaded fully until the piece is safely secured to the threads, then tighten the screw back into place. Use the screwdriver to tighten the set screw once the AST-2446/2 has been attached.

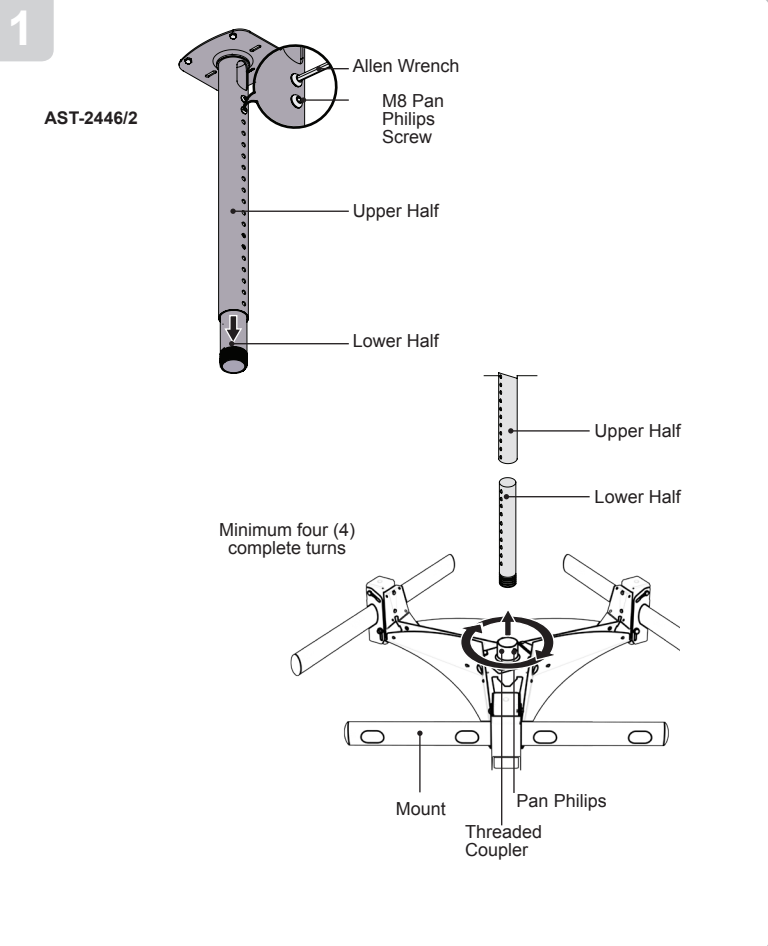
The following steps must be performed by a minimum of three people:

Two people lift the trio mount into place. Align the upper and lower halves of the AST-2446/2. Slide the lower half/trio mount into the upper half of the AST-2446/2.

It is recommended that the height, and location, of the ECM-3000 be determined prior to performing the following steps.

Determine the mounting height. Align the M8 mounting holes on the upper and lower halves of the AST-2446/2 and insert the M8 screws and wave washers. Use the 5/16" wrench to tighten the M8 screws.

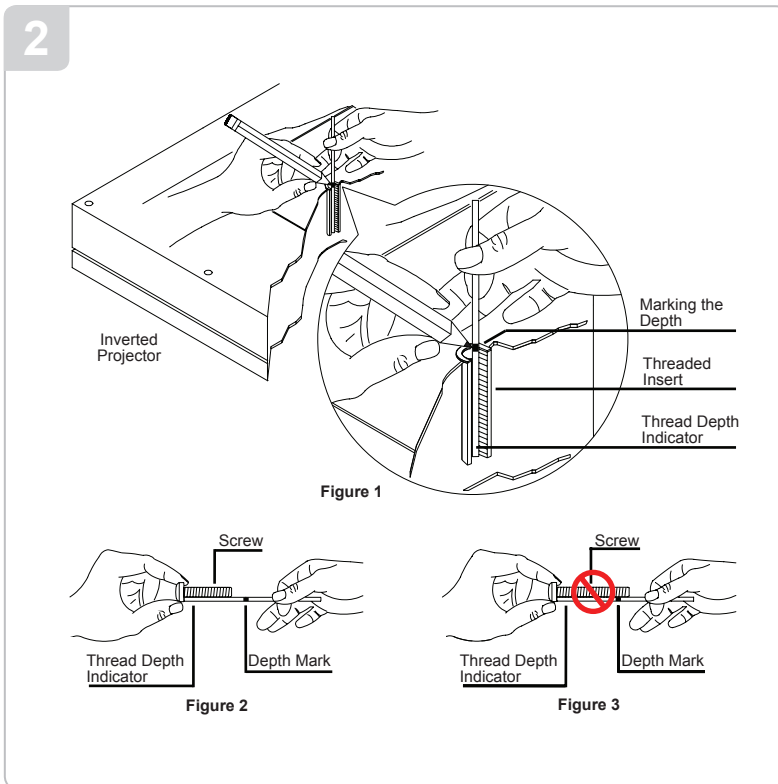
Verify that all hardware is secure and tight before proceeding to the next section.



ECM-4000

Installation Guide

Installationsanleitung, Guía de Instalación, Guida de Installazione, Guide d'Installation, Installatie gids



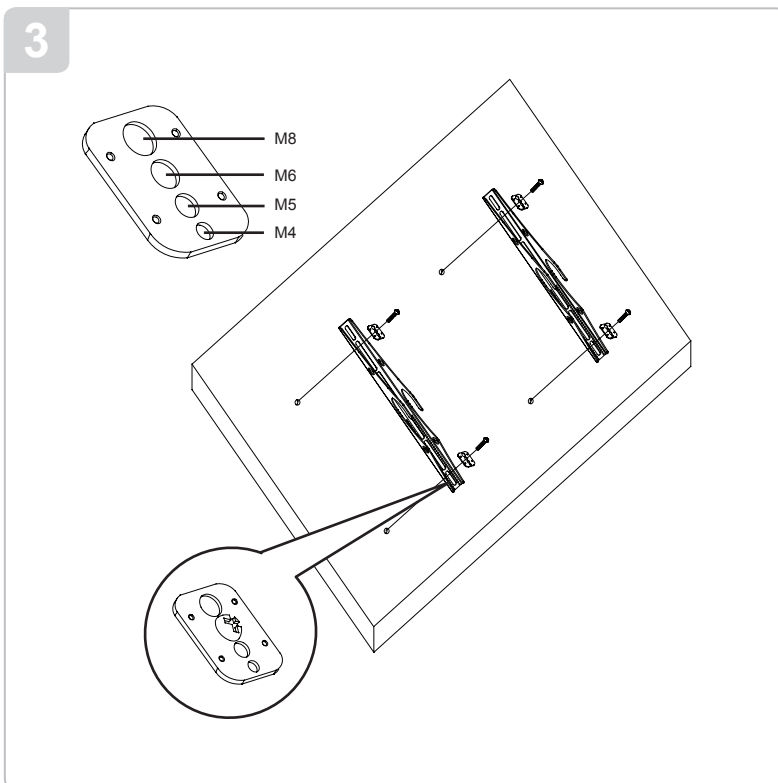
Insert the Thread Depth Indicator into the thread inserts found on the bottom or top of the projector. Use a pencil to mark the depth of the thread insert on the Thread Depth Indicator, as shown. Insert the Thread Depth Indicator into the remaining thread inserts to compare and verify their depth.

Locate the correct diameter screw for the thread insert. If the screw you selected is longer than the mark on the Thread Depth Indicator, as shown in Figure 2 and Figure 3, do not use this screw. The screw length must not bypass the mark.

Select another screw length until you find a screw that comes closest to the mark without going past the mark. Test each size of the screws provided.

The correct screws should thread easily into the mount point and not pull out when tension is applied.

The optional M3 flat washers may be used to decrease the screw depth of either the M2.5 x 12mm screws or the M3 x 16mm screws. Decrease the screw depth by placing an M3 flat washer inside the leveling barrel and then inserting the mounting screw.



Premier Mounts' Griplate™ Washers are designed to accommodate the various M4, M5, M6 and M8 hole sizes required by flat panels.

Do not place excessive pressure on the back of the flat panel, as this may damage your flat panel.

The Griplate™ Washer must be installed between the head of the mounting screw and the mounting bracket as shown.

Does your flat panel have:

- Recessed mount points?
- Uneven mount points?
- A curved back?
- Any obstruction near the mount point?

If Yes, you must install nylon spacers. Remove the mounting brackets, Griplate™ washers, and mounting screws from the back of the flat panel.

Warranty: <http://www.mounts.com/warranty>
Garantie, Garantía, Garanzia, Garantie, Waarborg

Updates: The most up-to-date installation guides can be found at [mounts.com](http://www.mounts.com)

9531-000-000-0X Rev. 0

PREMIER MOUNTS
THE ORIGINAL MOUNT COMPANY

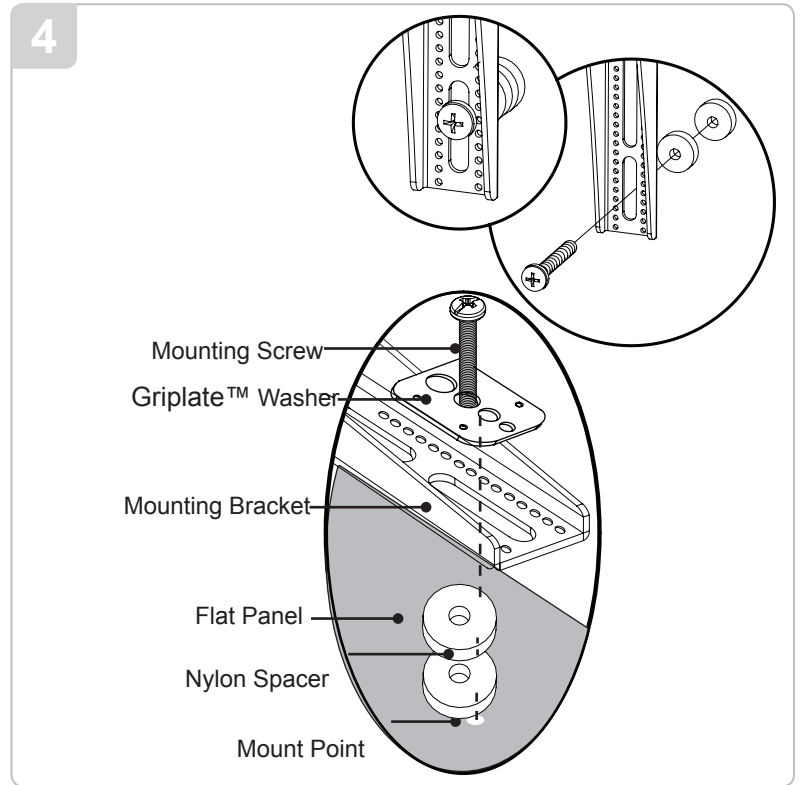
www.mounts.com | North America 800.368.9700 | International +1-714-632-7100 | Europe +44 (0) 24 7664 4105



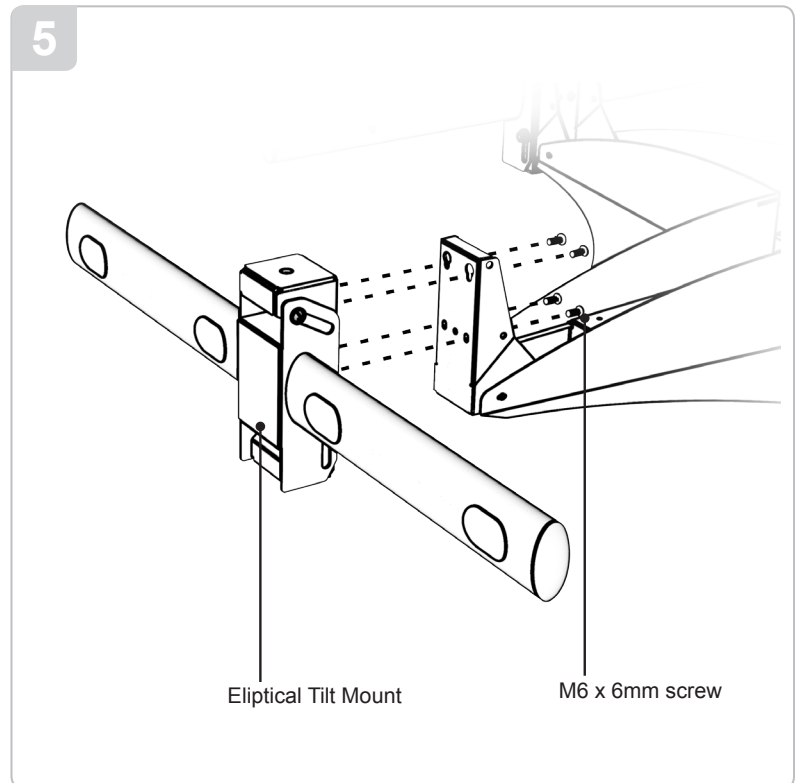
Premier Mounts' nylon spacers allow you to attach the mounting bracket to flat panels which have recessed or uneven mount points. Each nylon spacer will add distance between the mounting bracket and your flat panel.

The nylon spacers must only be installed between the mounting bracket and your flat panel.

The nylon spacers will fit M4, M5, M6 and M8 screw sizes.



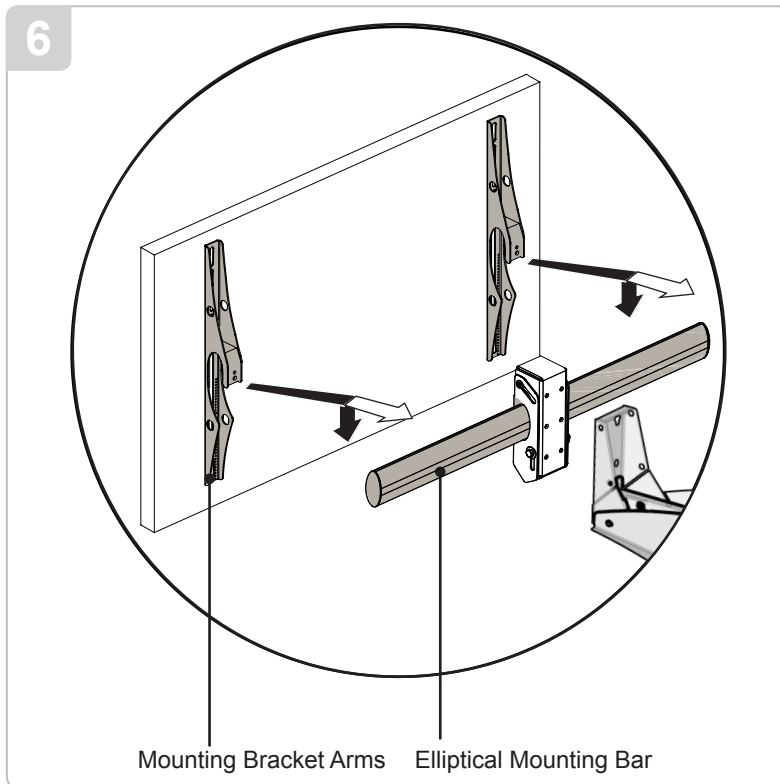
Attach the elliptical tilt mount using four(4) M6 x 6mmscrews



ECM-4000

Installation Guide

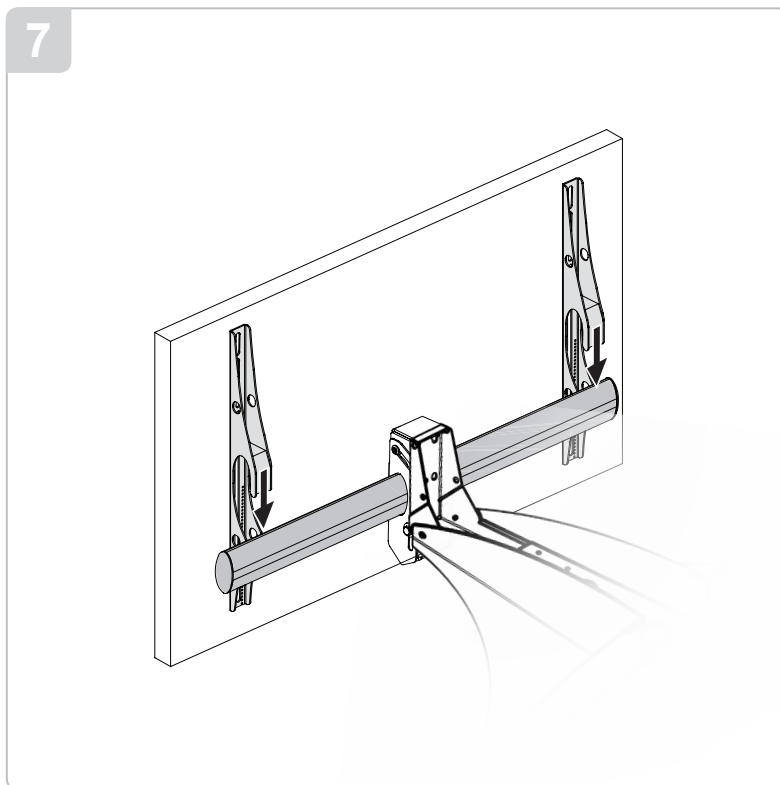
Installationsanleitung, Guía de Instalación, Guida de Installazione, Guide d'Installation, Installatie gids



Install the mount according to the instructions provided by Premier Mounts. Ensure all structural reinforcements have been made before attaching the flat panel to the ECM-4000.

Do not release the flat panel until the mounting bracket arms are fully resting on the elliptical mounting bar.

Raise the mounting bracket arms and the attached flat panel over the elliptical mounting bar of the ECM-4000.



Lower and center the mounting bracket arms with the attached flat panel onto the elliptical mounting bar of the ECM-4000.

Repeat Steps 1 and 2 for mounting the remaining elliptical tilt mounts.

Do not release the flat panel until the mounting bracket arms are resting fully on the elliptical mounting bar.

Warranty: <http://www.mounts.com/warranty>
Garantie, Garantía, Garanzia, Garantie, Waarborg

Updates: The most up-to-date installation guides can be found at mounts.com

9531-000-000-0X Rev. 0

 **PREMIER MOUNTS**
THE ORIGINAL MOUNT COMPANY

www.mounts.com | North America 800.368.9700 | International +1-714-632-7100 | Europe +44 (0) 24 7664 4105



When attaching the decorative covers, verify that the smaller mounting hole is above the larger mounting hole.

Place the first decorative cover over the first mounting bracket arm and push firmly into place.

Align the mounting holes together.

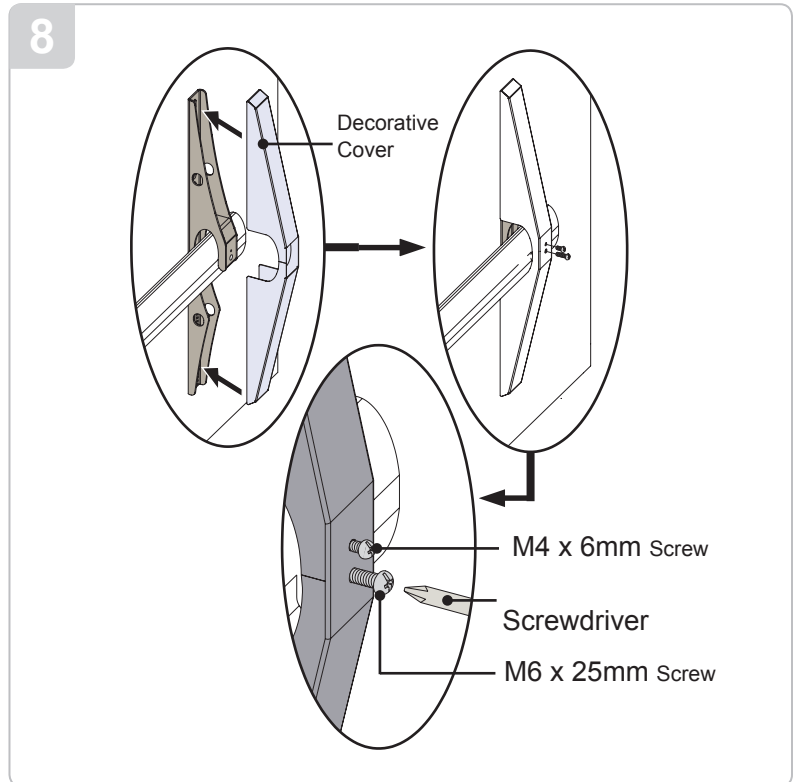
Insert the M4 x 6mm Phillips screw (smaller mounting hole).

Insert the M6 x 25mm Phillips screw (larger mounting hole).

Use a screwdriver to tighten all decorative cover mounting hardware.

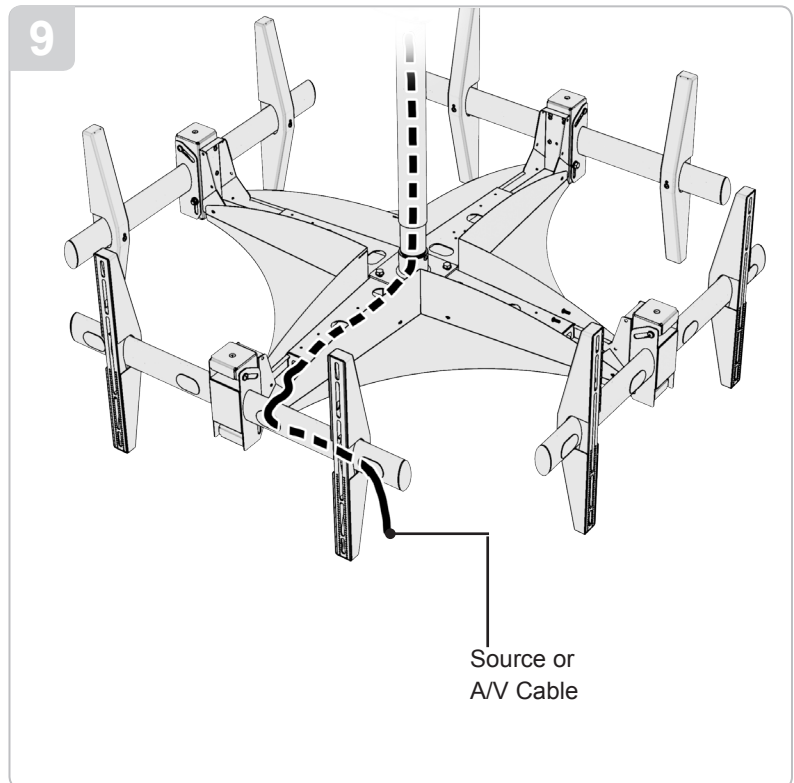
Repeat Steps 1 through 5 for the remaining decorative covers and mounting bracket arms.

Do not overtighten these screws



Route the cables through the cable access holes and to their respective locations. Remove the plastic covers, route the cables, and gently re-attach the plastic covers.

The cables may then be routed through the bracket, up the ceiling adapter and into the ceiling to a predetermined power source.

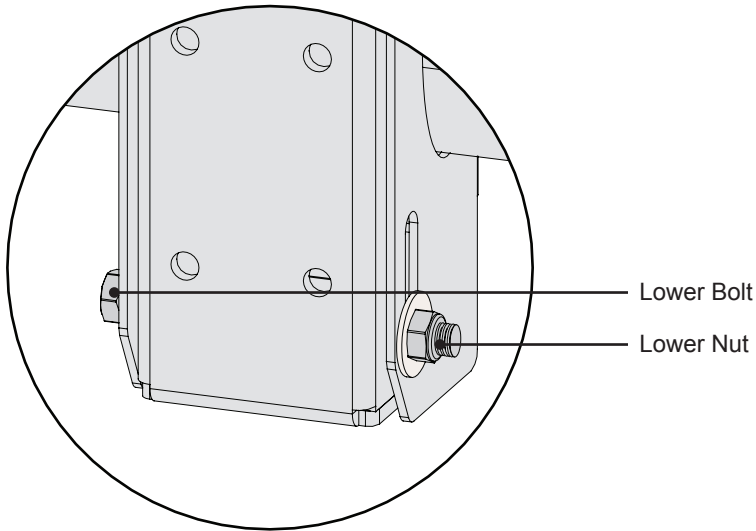


ECM-4000

Installation Guide

Installationsanleitung, Guía de Instalación, Guida de Installazione, Guide d'Installation, Installatie gids

10



Adjusting the Flat Panel Friction Tilt Angle

Place one hand at the center top edge of the flat panel.

Place the other hand on the center bottom edge of the flat panel.

Using the upper hand, gently pull the top of the flat panel towards you while the lower hand gently pushes the bottom of the flat panel away from you.

If additional tilt friction is required, tighten the lower nut and lower bolt only to increase the tilt friction.

Adjusting the Flat Panel to the Original Position

Place one hand at the center top edge of the flat panel.

Place the other hand on the center bottom edge of the flat panel.

Using the upper hand, gently push the top of the flat panel towards the wall while the lower hand gently pulls the bottom of the flat panel away from the wall.

Warranty: <http://www.mounts.com/warranty>
Garantie, Garantía, Garanzia, Garantie, Waarborg

Updates: The most up-to-date installation guides can be found at mounts.com

9531-000-000-0X Rev. 0

 **PREMIER MOUNTS**
THE ORIGINAL MOUNT COMPANY

www.mounts.com | North America 800.368.9700 | International +1-714-632-7100 | Europe +44 (0) 24 7664 4105



ECM-4000

Installation Guide

Installationsanleitung, Guía de Instalación, Guida de Installazione, Guide d'Installation, Installatie gids

PREMIER MOUNTS LIMITED LIFETIME WARRANTY

What and Who is Covered by this Limited Lifetime Warranty

Premier Mounts warrants all mounting products to be free from defects in material and workmanship for the lifetime of the original installation of the product.

What Premier Mounts Will Do

At the sole option of Premier Mounts, Premier Mounts will repair or replace any product or product part that is defective. If Premier Mounts chooses to replace a defective product or part, a replacement product or part will be shipped to you at no charge, but you must pay any related labor costs.

What is Not Covered: Limitations

Premier Mounts disclaims any liability for damage to mounts, adapters, displays, projectors, other property, or personal injury resulting, in whole or in part, from improper installation, modification, use or misuse of its products.

NOTWITHSTANDING ANYTHING TO THE CONTRARY IN THIS WARRANTY, THIS WARRANTY IS LIMITED TO FIVE YEARS FROM THE DATE OF PURCHASE IN THE EVENT THAT THE WARRANTED PRODUCT IS COMMERCIALY RENTED OUT.

Electrical products and components, such as amplifiers, speakers, motors, switches remote controls and related electrical items, are backed by a 3-year warranty.

Premier Mounts disclaims all other warranties, express or implied, including warranties of merchantability and fitness for a particular purpose. Premier Mounts is not responsible for incidental or consequential damages, including but not limited to, inability to use its products or labor costs for removing and replacing defective products or parts. Some states do not allow the exclusion or limitation of incidental or consequential damages, so the above limitation or exclusion may not apply to you.

What Customers Must Do for Warranty Service

If you discover a problem that you think may be covered by the warranty, you must report it in writing to the address below within thirty (30) days. Proof of purchase (an original sales receipt) from the original consumer purchaser must accompany all warranty claims. Warranty claims must also include a description of the problem, the purchaser's name, address, and telephone number. General inquiries can be addressed to Premier Mounts Customer Service at 1-800-368-9700. Warranty claims will not be accepted over the phone or by fax.

Premier Mounts
Attn: Warranty Claim
1321 S. State College Blvd.
Fullerton, CA 92831 USA

How State Law Applies

This warranty gives you specific legal rights, and you may also have other rights which vary from state to state.



Premier Mounts intends to make this manual accurate and complete. However, Premier Mounts makes no claim that the information contained herein covers all details, conditions or variations, nor does it provide for every possible contingency in connection with the installation or use of this product. The information contained in this document is subject to change without notice or obligation of any kind. Premier Mounts makes no representation of warranty, expressed or implied, regarding the information contained herein. Premier Mounts assumes no responsibility for accuracy, completeness or sufficiency of the information contained in this document.

Warranty: <http://www.mounts.com/warranty>
Garantie, Garantía, Garanzia, Garantie, Waarborg

Updates: The most up-to-date installation guides can be found at mounts.com

