

EDSYN^{INC}®

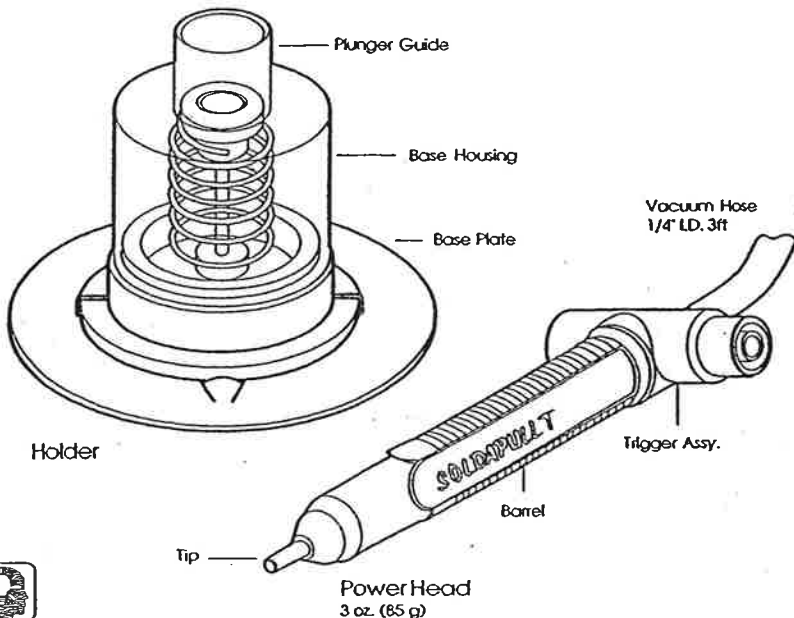


DS117/ DS217 micro tip

SOLDAPULLT® AUTOVAC® Desoldering Station

Low Static Power Head & Holder

15 oz. (426 g)



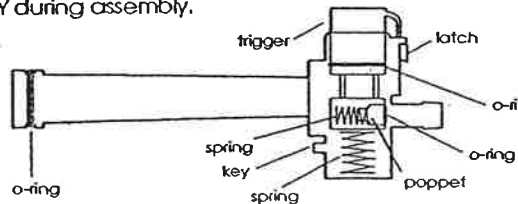
OPERATION

1. Connect Vacuum Hose to a vacuum source (15 - 25 in. Hg)
2. Reflow solder connection by using a soldering tool.
3. When solder reflows, bring Power Head Tip close to solder connection and press Trigger.
4. Place Power Head inside Plunger Guide and push Power Head downward to clean the Tip.



MAINTENANCE

1. Pull Trigger Assy. away from Barrel to remove solder inside.
2. Use a CB138 (CB138M for DS217) Cleaning Brush to remove the Tip and solder attached to wall of Barrel.
3. Pull out Baffle from Housing and replace dirty filter.
4. Pull latch to remove trigger (CAUTION: SPRING LOADED COMPONENTS!!)
5. Lube O-Rings with OL111.
6. Note the position of KEY and KEY WAY during assembly.

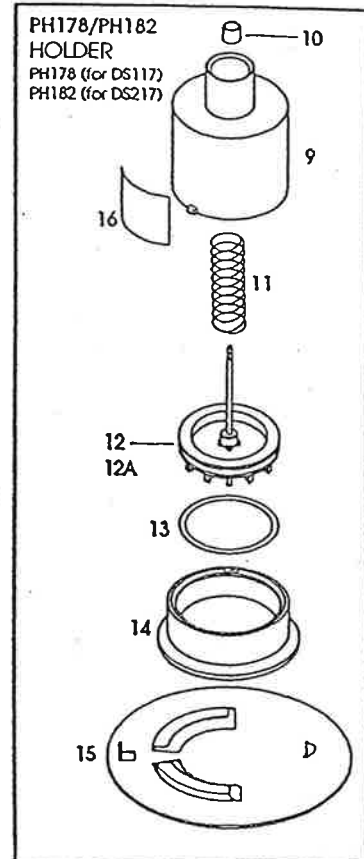
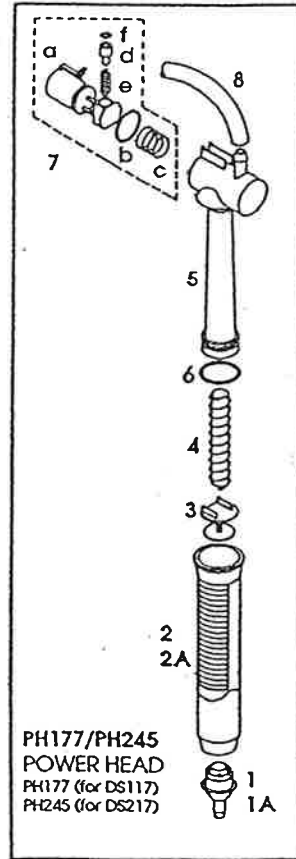


Covered by U.S. and Foreign Patents and Pending Applications

DS117 / DS217 AUTO-VAC®
POWERHEAD and HOLDER SPARE PARTS LIST

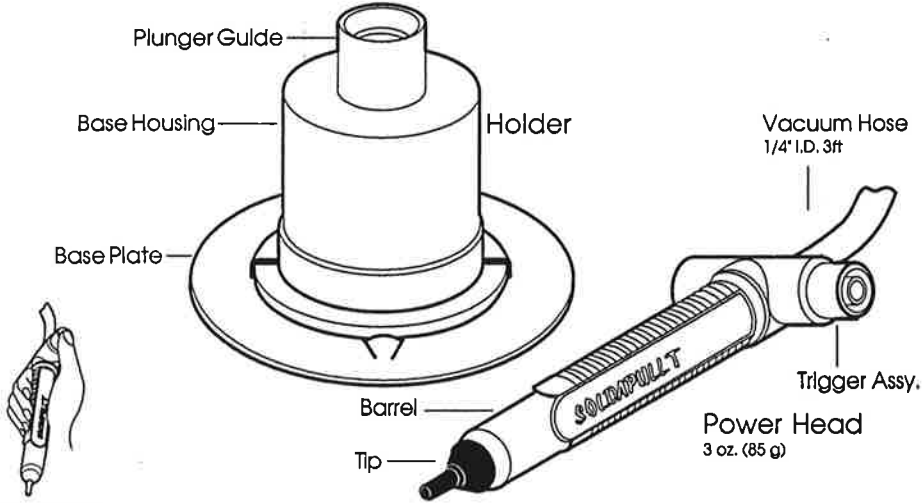
ITEM NO.	PART NO.	DESCRIPTION	QTY REQ'D
1	DT113	Desoldering Tip (for DS117)	1
1A	DT114	Desoldering Tip, Micro (for DS217)	1
2	SR212	Barrel, Clear (for DS117)	1
2A	SR213	Barrel, Clear (for DS217)	1
3	SR196	Baffle	1
4	AF137	Filter Element Assy.	1
5	SR198	Filter and Trigger Housing	1
6*	ODS31	O-Ring for Filter and Trigger Housing	1
7	AV060	Trigger Assy. Kit	1 set
7a	SR199	Trigger	1
7b*	SR203	O-Ring, for Trigger	1
7c*	SR204	Return Spring, for Trigger	1
7d	SR201	Plunger, Trigger Assy.	1
7e	SR200	Spring for Plunger	1
7f*	SR202	O-Ring for Plunger	1
8	HS320	Hose, 1/4" ID Silicone (sold per ft.)	3 ft.
9	SR205	Housing, Power Head Holder, Clear	1
10*	SR206	Bushing	1
11	SR207	Return Spring	1
12	SR208	Piston Assy., w/ Standard Shaft (for DS117)	1
12A	SR210	Piston Assy., w/ Micro Shaft (for DS217)	1
13*	SR209	O-Ring, for Piston Assy.	1
14	SR211	Base, Power Head Holder, Clear	1
15	BP325	Base Plate	1
16	SR188	Label (applicable for both DS117 & DS217)	1

* Also in a set: OA195 O-ring set (includes items 6, 7b & 7f)
OA193 O-ring set (includes items 6, 7b, 7f, 10 & 13)



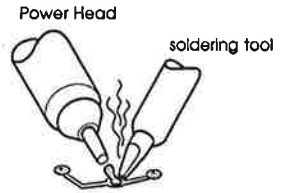
DS317/ DS417 micro tip SILVERSTAT® AUTOVAC® Desoldering Station

Low Static Power Head & Holder
15 oz. (426 g)



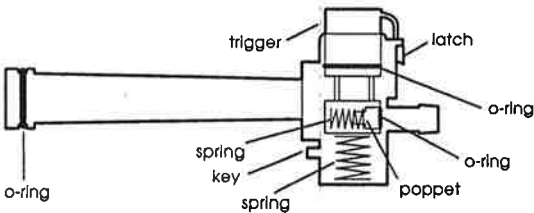
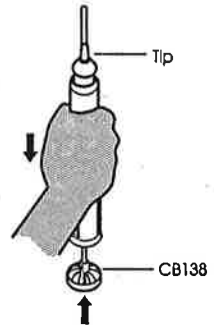
OPERATION

1. Connect Vacuum Hose to a vacuum source (15 - 25 in. Hg)
2. Reflow solder connection by using a soldering tool.
3. When solder reflows, bring Power Head Tip close to solder connection and press Trigger.
4. Place Power Head inside Plunger Guide and push Power Head downward to clean the Tip.



MAINTENANCE (see spare parts list for diagram)

1. Pull Trigger Assy. away from Barrel to remove solder inside.
2. Use a **CB138** (CB138M for DS417) Cleaning Brush to remove the Tip and solder attached to wall of Barrel.
3. Pull out Baffle from Housing and replace dirty filter.
4. Pull latch to remove trigger
(CAUTION: SPRING LOADED COMPONENTS!!)
5. Lube O-Rings with OL111.
5. Note the position of KEY and KEY WAY during assembly.



EDSYN Inc.®



Covered by U.S. and Foreign Patents and Pending Applications

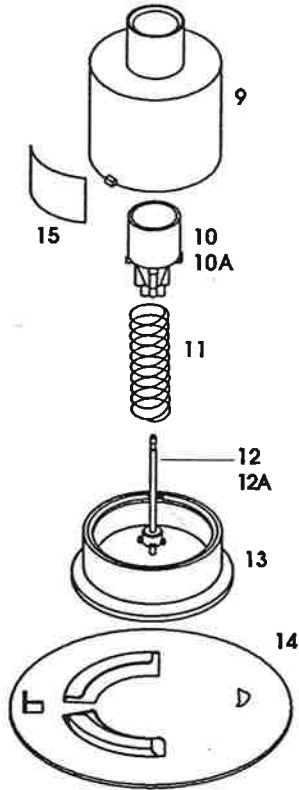
15958 Arminta Street, Van Nuys, CA 91406-1896

Phone (818) 989-2324

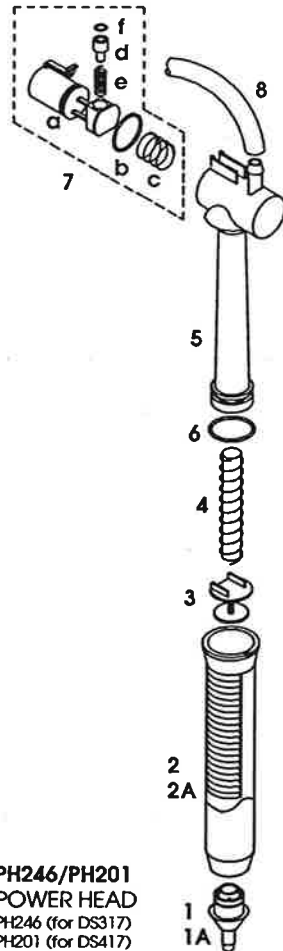
FAX (sales) 818-997-0895

FAX (service): 818-997-0460

**DS317 / DS417 SILVERSTAT® AUTO-VAC®
POWERHEAD and HOLDER SPARE PARTS LIST**



PH184/PH202
POWER HEAD HOLDER
PH184 (for DS317)
PH202 (for DS417)



PH246/PH201
POWER HEAD
PH246 (for DS317)
PH201 (for DS417)

ITEM NO.	PART NO.	DESCRIPTION	QTY REQ'D	
1	LS197	Desoldering Tip, Low Static (for DS317)	1	
1A	LS215	Desoldering Tip, Micro, Low Static (for DS417)	1	
2	SR194	Barrel, Silverstat®, Low Static (for DS317)	1	
2A	SR195	Barrel, Silverstat®, Low Static (for DS417)	1	
3	SR196	Baffle	1	
4	AF137	Filter Element Assy.	1	
5	SR198	Filter and Trigger Housing	1	
6*	ODS31	O-Ring for Filter and Trigger Housing	1	
7	AV060	Trigger Assy. Kit	1 set	
	a	SR199	Trigger	1
	b*	SR203	O-Ring, for Trigger	1
	c*	SR204	Return Spring, for Trigger	1
	d	SR201	Plunger, Trigger Assy.	1
	e	SR200	Spring for Plunger	1
	f*	SR202	O-Ring for Plunger	1
8	HS320	Hose, Low Static, Silicone (sold per ft.)	3 ft.	
9	SR154	Housing, Power Head Holder	1	
10	SR190	Plunger Guide (for DS317)	1	
10A	SR189	Plunger Guide, for Micro Shaft (for DS417)	1	
11	SR156	Spring, AUTO-VAC Holder / Cleaner	1	
12	SR193	Cleaning Shaft (for DS317)	1	
12A	SR192	Cleaning Shaft, Micro, (for DS417)	1	
13	SR157	Base, Power Head Holder	1	
14	BP325	Base Plate	1	
15	SR188	Label (applicable for both DS317 & DS417)	1	

* Also comes in a set: **OA195** O-ring set (includes items 6, 7b & 7f)