

# DIGITAL PROJECTOR | EP5920



## Features

- Native Full HD 1080P (1920x1080) Resolution
- 1800 ANSI Lumens;
- 4500:1 High Contrast Ratio
- Long lamp Life; 10W Speaker
- HDMI x 2; Auto Keystone

**Auto & Manual, Vertical +/- 40 degrees**

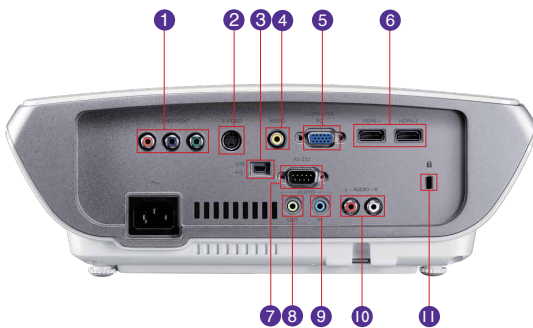
## Specifications

Projection System	DLP
Native Resolution	1080p (1920x1080)
Brightness	1800 ANSI lumens
Contrast Ratio	4500:1
Keystone Adjustment	Auto & Manual, Vertical +/- 40 degrees
Throw Ratio	1.59-1.9 (56.8" @ 6.56 ft)
Image Size (Diagonal)	28" to 300"
Zoom Ratio	1.20:1
Lamp Type	190W
Lamp (Normal/Economic Mode)*	4500/5000 hours
Projection Offset	130%+5%
Resolution Support	VGA(640 x 480) to WUXGA (1920 x 1200)
Horizontal Frequency	31K~90KHz
Vertical Scan Rate	48~86Hz
Compatibility	HDTV Compatibility: 480i, 480p, 576i, 576p, 720p, 1080i, 1080p Video Compatibility: NTSC, PAL, SECAM
Interface	Computer in (D-sub 15pin) x1 Composite Video in (RCA) x1 S-Video in (Mini DIN 4pin) x1 Component Video in (RCA) x1 Audio In (Mini Jack) x1 Audio L/R In (RCA) x2 Audio Out (Mini Jack) x1 Speaker 10W x1 HDMI V1.3 x2 USB (Type Mini B) x1 (USB Download & Page up/down) RS232 (DB-9pin) x1
Dimensions (WxHxD)	13 x 9.72 x 5.9 inches (330 x 247 x 150 mm)
Weight	7.9lbs (3.6 kg)
Power Supply	100 to 240 VAC, 50 to 60 Hz
Power Consumption	Typical 270W, Standby<1W
Audible Noise	31/28 dBA (Normal/Economic mode)
On-Screen Display Languages	Bulgarian/ Croatian/ Czech/ Danish/ Dutch/ English/ Finnish/ French/ German/ Greek/ Hungarian/Italian/ Indonesian/ Japanese/ Korean/ Norwegian/ Polish/ Portuguese/ Romanian/ Russian/ Simplified Chinese/Spanish/ Swedish/ Turkish/ Thai/ Traditional Chinese (26 Languages).
Picture Mode	Bright/Living Room/Gaming/Cinema/User 1/User 2/User3
Accessories (Standard)	Remote Control w/ Battery, Power Cord, User Manual CD, Quick Start Guide, Warranty Card, VGA (D-sub 15 pin) Cable, Carry Bag
Accessories (Optional)	Spare Lamp Kit P/N: 5J.J5405.001 Ceiling Mount P/N: 5J.J2K01.001
Limited Warranty	1 Year Parts/Labor; 180 days or 500 hours of lamp life.

\*Lamp life results will vary depending on environmental conditions and usage.



## Input and Output Terminals



- 1 Component Video In (RCA)
- 2 S-Video In (Mini DIN 4pin)
- 3 USB Mini B
- 4 Composite Video In (RCA)
- 5 Computer In 1 (D-sub 15pin)
- 6 HDMI 1 & 2 (v1.3)
- 7 RS232 (DB-9pin)
- 8 Audio Out 1 (Mini Jack)
- 9 Audio In 1 (Mini Jack)
- 10 Audio In L & R (RCA)
- 11 Security Bar

EP5920 04-23-12BQus



BenQ America Corp.  
15375 Barranca Parkway, Suite A-205, Irvine, CA 92618 • Tel: (949) 255-9500 • www.BenQ.us

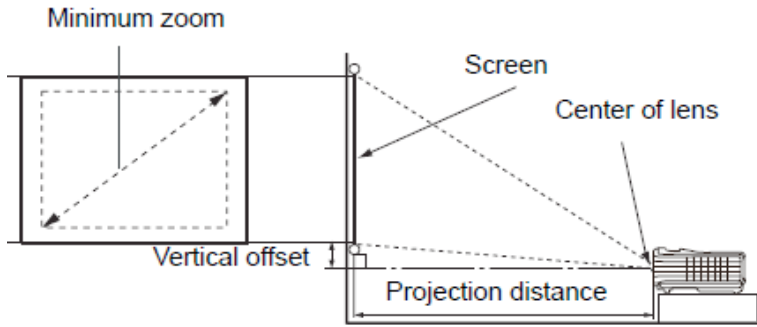
BenQ is a registered trademark of BenQ Corp. DLP is a registered trademark of Texas Instruments. All rights reserved. Corporate and trademarks are the property of their respective companies. Specifications subject to change without notice.



Enjoyment Matters

# EP5920 Digital Projector

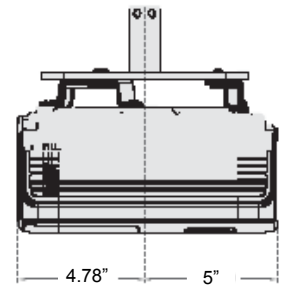
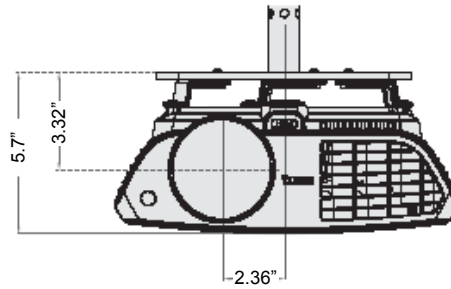
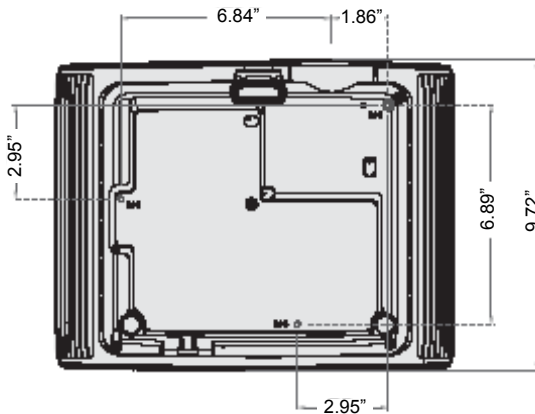
## Distance Chart



16:9 screen				Recommended projection distance from screen in mm			Vertical offset in mm
diagonal		Width	Height	Min length (with max. zoom)	Average	Max length (with min. zoom)	
Inches	mm	mm	mm				
30	762	664	374	1056	1162	1267	56
40	1016	886	498	1408	1549	1690	75
50	1270	1107	623	1760	1936	2112	93
60	1524	1328	747	2112	2323	2534	112
80	2032	1771	996	2816	3098	3379	149
100	2540	2214	1245	3520	3872	4224	187
120	3048	2657	1494	4224	4646	5009	224
150	3810	3321	1868	5280	5808	6336	280
200	5080	4428	2491	7040	7744	8448	374
220	5568	4870	2740	7744	8518	9293	411
250	6350	5535	3113	8800	9680	10560	467
300	7620	6641	3736	10560	-	-	560

## Wall Mount / Ceiling Mount Chart

Ceiling Mount Screws:  
Max. L = 1/2", Min. = 5/16"



## Dimensions



**Touchboards**

205 Westwood Ave, Long Branch, NJ 07740  
Phone: 866-94 BOARDS (26273) / (732)-222-1511  
Fax: (732)-222-7088 | E-mail: sales@touchboards.com

