

AA355DS

ARTICULATING KEYBOARD ARM

Model AA355DS

AA355DS Rev A 4/17

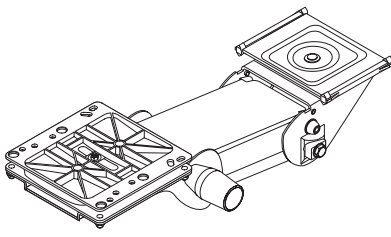
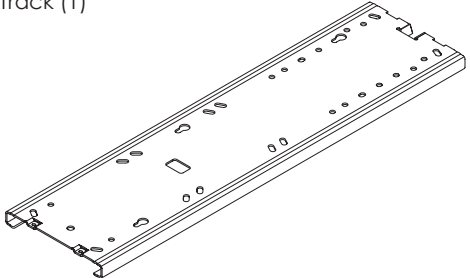
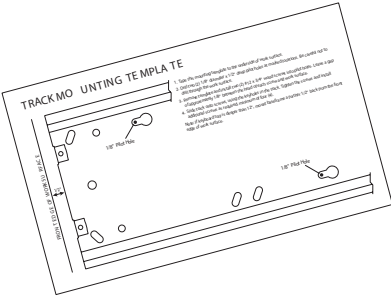
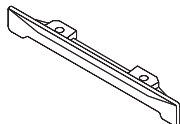

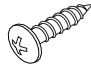


INSTALLATION AND USE

AA355DS ARTICULATING KEYBOARD ARM

PLEASE REVIEW these instructions before beginning the installation. Check that all parts needed were provided with your order. Contact your supplier if any parts are missing. Do not discard the packaging until satisfied that the product operates to your satisfaction.

PARTS PROVIDED

<p>Articulating Arm (1)</p> 	<p>Track (1)</p> 	
<p>Template (1)</p> 	<p>Front Stop (1)</p> 	<p>10x1/2" Screws (2)</p> 
<p>12x3/4" Screws (8)</p> 		<p>CAUTION: This install requires a power drill. This is not a hand tool install.</p>

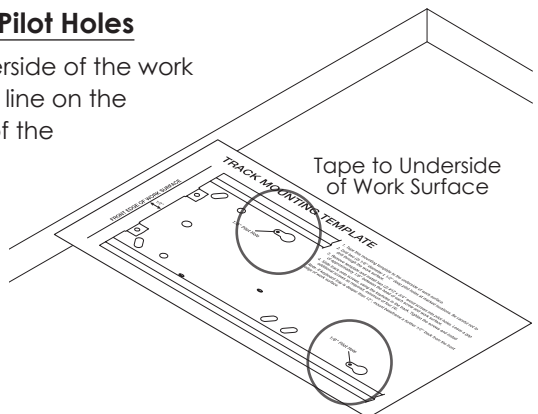
ADDITIONAL TOOLS REQUIRED

- Drill with 1/8" bit
- #2 Square Phillips bit
- #3 Phillips drill bit

STEP 1: Use Template to Drill Pilot Holes

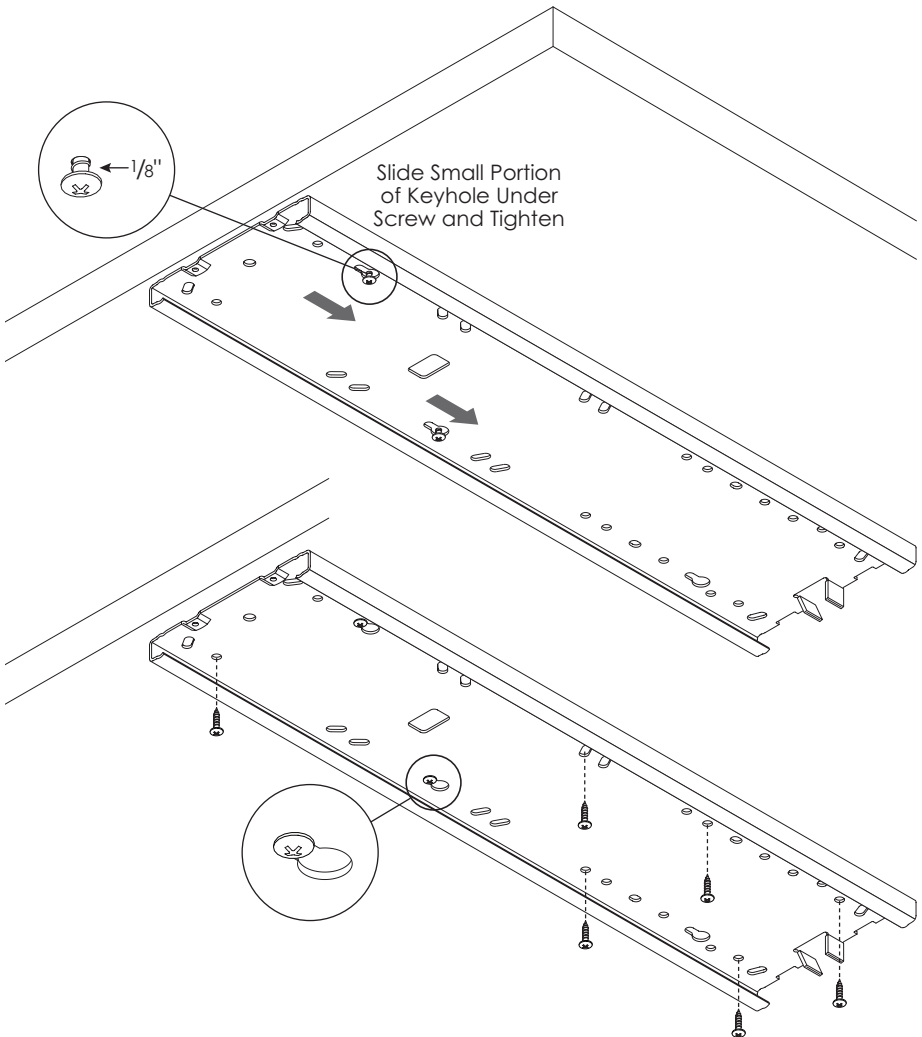
- Tape the template to the underside of the work surface. Align the "front edge" line on the template with the front edge of the work surface.
- Drill 1/8" pilot holes through the two marked locations on the template.
 - Drill the holes 5/8" deep

CAUTION: Be careful not to drill through the work surface.



STEP 2: Attach Track

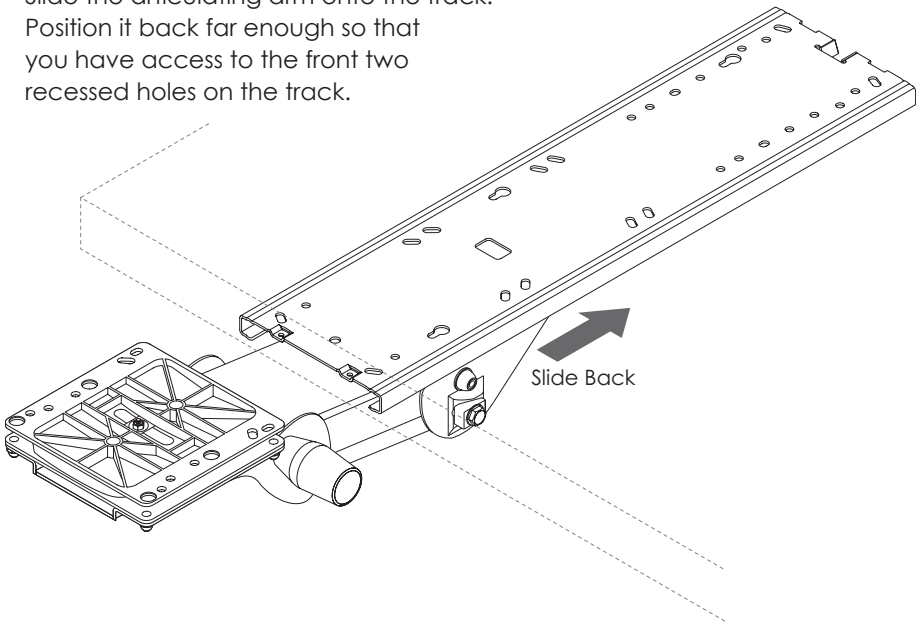
- Remove the template and install two $\frac{3}{4}$ " wood screws into the pilot holes.
 - Leave a gap of approximately $\frac{1}{8}$ " between the head of each screw and the work surface
- Slide the track onto the screws, using the keyholes in the track. Tighten the screws.
- Drill pilot holes for six additional screws spaced evenly along the track. Fasten the screws to complete the installation of the track.



AA355DS ARTICULATING KEYBOARD ARM

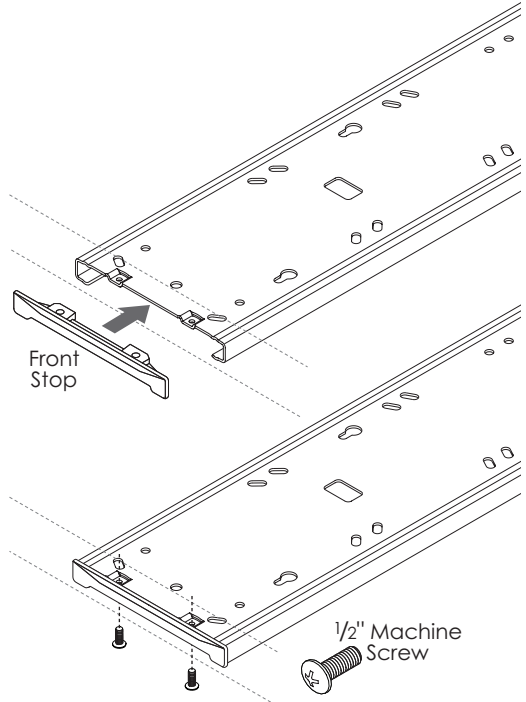
STEP 3: Install Articulating Arm

- Slide the articulating arm onto the track. Position it back far enough so that you have access to the front two recessed holes on the track.



STEP 4: Attach Front Stop

- Position the front stop onto the front of the track and secure it with the 1/2" machine screws.



OPERATION**To Raise:**

- Grasp both sides of the platform and raise to the desired height.

To Lower:

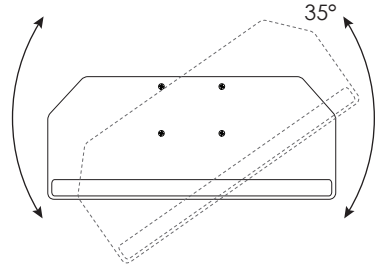
- Grasp both sides of the platform, tilt up the front, and move down to the desired height.

To Tilt:

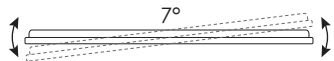
- Turn the handle counterclockwise to loosen and allow the platform to tilt.
- Turn the handle clockwise to tighten the platform at the desired tilt angle.

To Swivel:

- Grasp both sides of the platform and rotate. Up to 35° of adjustment is provided in each direction.

**To Correct for Lateral Tilt:**

- Push on the side edge of the platform. Up to 7° of adjustment is provided in each direction.





800.833.3746 | esiergo.com