

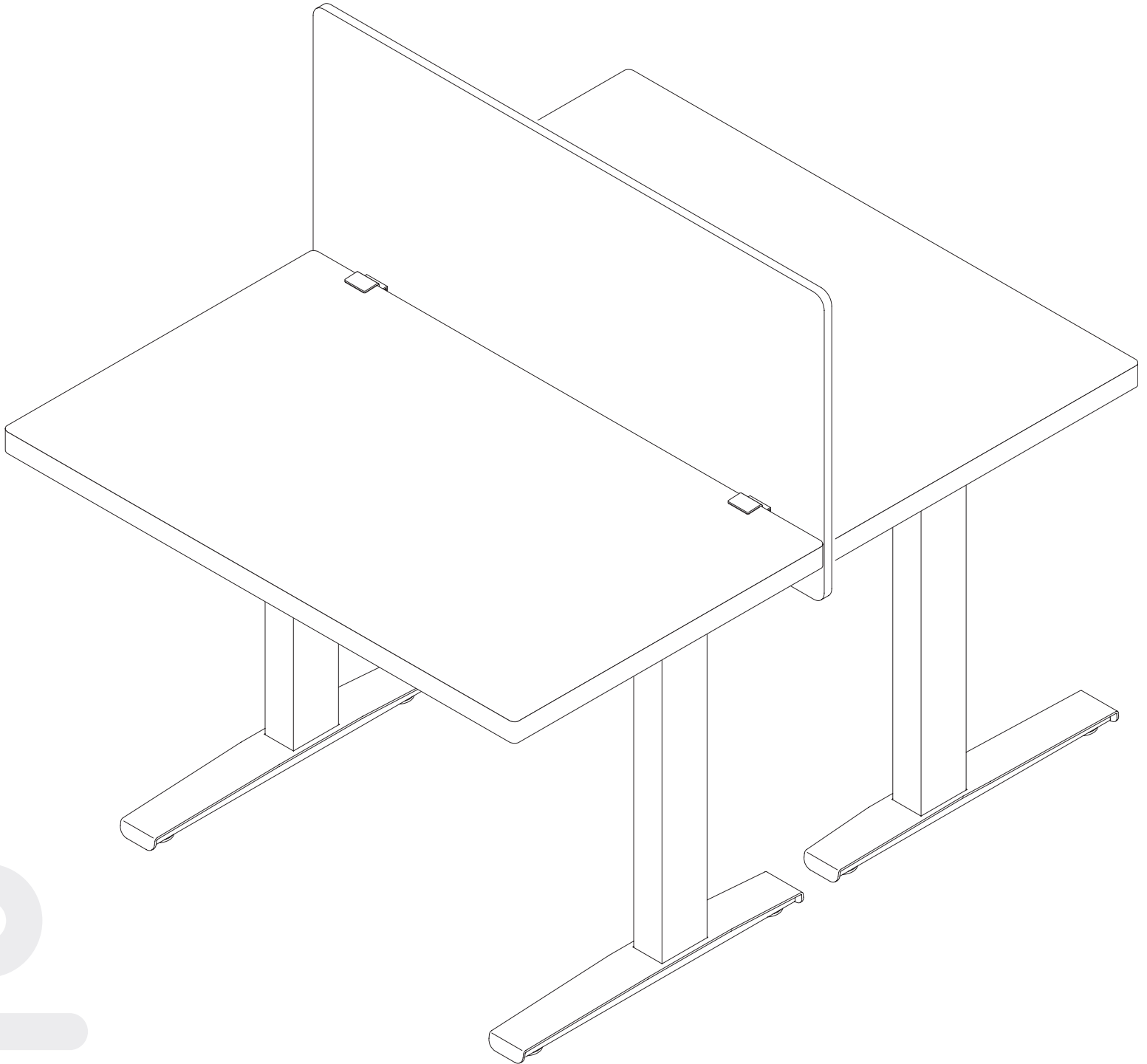
esi

assembly instructions

Centro™

privacy/modesty screen

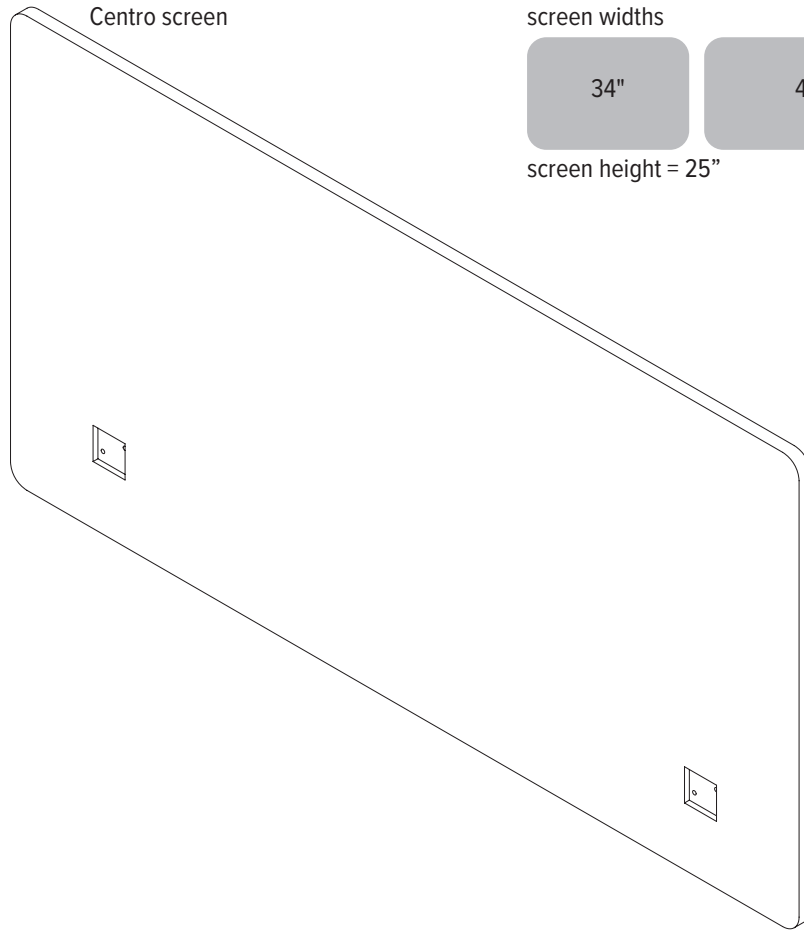
available widths
34", 46", 58", 70"



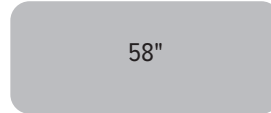
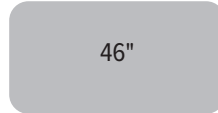


Please review these instructions before beginning the installation. Check that the components shown below were provided with your order. No other parts are required. Do not discard the packaging until the product is assembled to your satisfaction.

Components

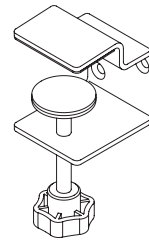


screen widths



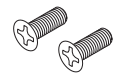
screen height = 25"

screen bracket assembly



34" and 46" widths: 2 per screen
58" and 70" widths: 3 per screen

bracket screws
M5 x 0.8 x 6mm
Phillips #2 flat head



2 per bracket

Tools required

- #2 Phillips screwdriver

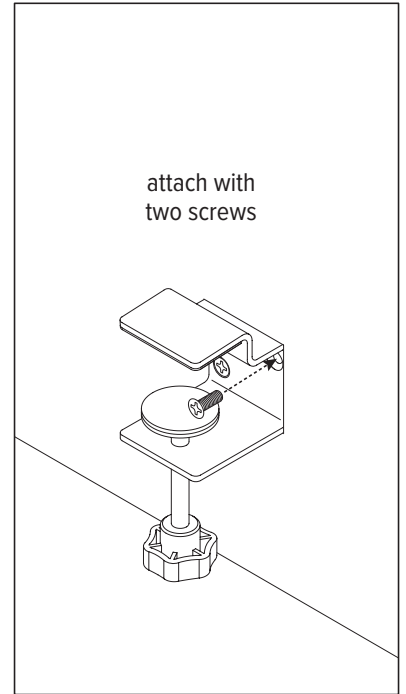
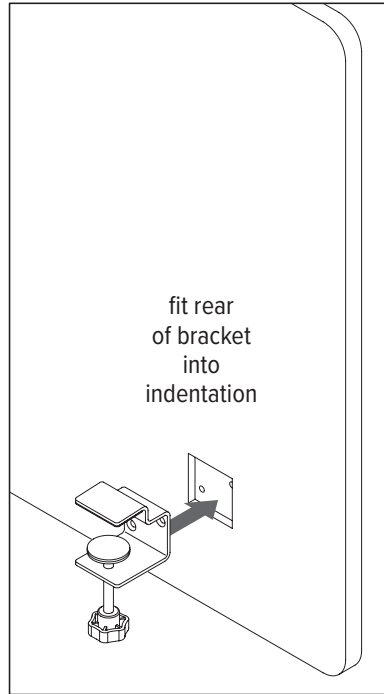
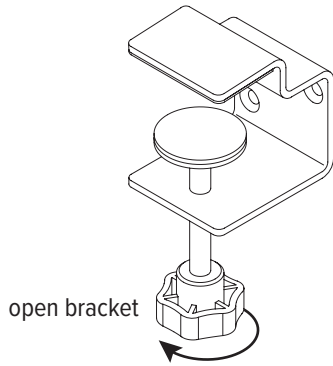


The following procedure shows a 46" wide screen. The assembly procedure is the same for all screen widths, except that three brackets instead of two are used for 58" and 70" widths. Contact Customer Service if you have any questions.

Step #1: attach bracket to screen

The back of the bracket fits into indentations on the front of the screen.

- If necessary, turn the knob to open the bracket to allow access to both screw holes.
- Position the back of the bracket into the indentation with the knob on the bottom.
- Attach the bracket using the screws provided. Tighten securely.

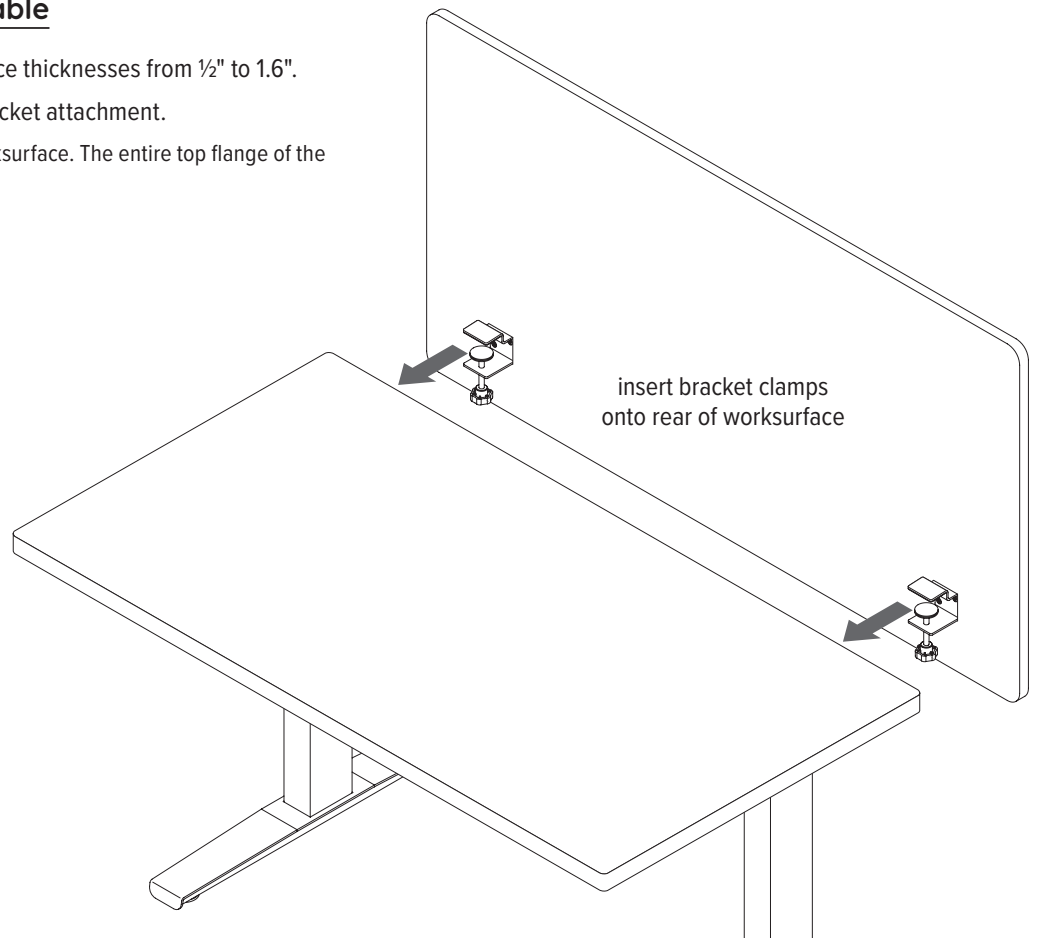
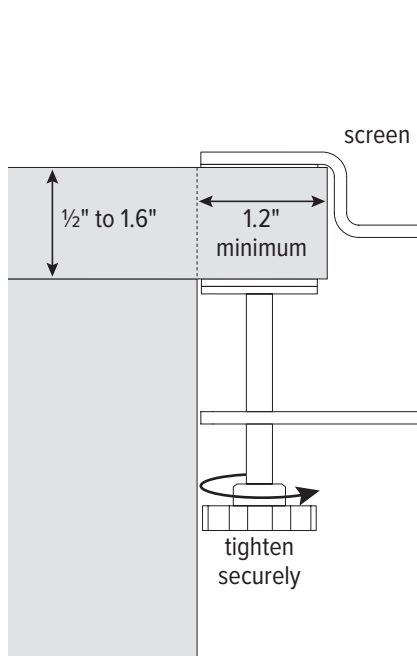


Step #2: attach screen to desk or table

The screen brackets can accommodate worksurface thicknesses from 1/2" to 1.6".

A minimum depth of 1.2" is required for secure bracket attachment.

- Position the bracket clamps onto the rear of the worksurface. The entire top flange of the bracket should be on the top of the surface.
- Turn the knob on each bracket to tighten securely.
- Check that the screen is securely in place.





Centro™

privacy/modesty screen

Please contact Customer Service with any questions or comments at 800.833.3746 or visit our website at esiergo.com

LIMITED WARRANTY

ESI warrants this product to be free from defects in manufacturing for a period of 7 years from the date of original purchase. This warranty extends only to the original purchaser, and does not apply if the product has been damaged or fails to function properly as a result of misuse, abuse, modification, alteration, or improper cleaning or maintenance. This warranty does not apply to damage in shipment caused by carriers, damage caused during installation, normal wear and tear, or excessive use (meaning consistent use in excess of an eight hour shift). ANY IMPLIED WARRANTIES OF MERCHANTABILITY OR FITNESS FOR A PARTICULAR PURPOSE ARE LIMITED IN DURATION TO ONE YEAR FROM THE DATE OF ORIGINAL RETAIL PURCHASE. ESI's sole obligation under this warranty or any implied warranty, and the purchaser's sole remedy, is limited to the repair or replacement, at ESI's option, of the product or any defective part. Costs (such as installation, labor fees or express shipping) incurred due to replacement of products are not covered under warranty. IN NO EVENT SHALL FELLOWES, ITS AFFILIATES, SUBSIDIARIES, RELATED ENTITIES OR THEIR RESPECTIVE OFFICERS, DIRECTORS, OR EMPLOYEES, BE LIABLE FOR INCIDENTAL, CONSEQUENTIAL, PUNITIVE, EXEMPLARY, OR SPECIAL DAMAGES.

To make a warranty claim, contact ESI at 800-833-3746 or customerservice@esiergo.com. You must provide proof of purchase, such as the original purchase order number.

The duration, terms and conditions of this warranty are valid worldwide, except where different limitations, restrictions or conditions may be required by local law.