

ERGORISE CLIMB2 SIT-TO-STAND WORKSTATION

NON GSA

- Clamps to the back of the work surface
- Can mount to work surfaces 30" deep or less
- 6" of clearance is needed underneath the work surface for the desk clamp
- Pneumatic Height Adjustment
- Weight Capacity: 20 lbs
- Height Adjustment Range: 17"
- Keyboard Platform: 26.5" x 10.5"
- Keyboard Platform includes palm rest
- Palm rest can be positioned on the left or right side of the keyboard platform
- Monitors can be rotated for viewing in landscape or portrait orientations
- Monitors are fixed at a 8° angle toward each other
- Monitors can move horizontally 7.5"
- Monitors can be adjusted 12" vertically along the mount
- Arm can be adjusted 19.5" up and down the pole
- Max Monitor Width: 21.8" (bezel measured left to right)

PART #

LIST PRICE

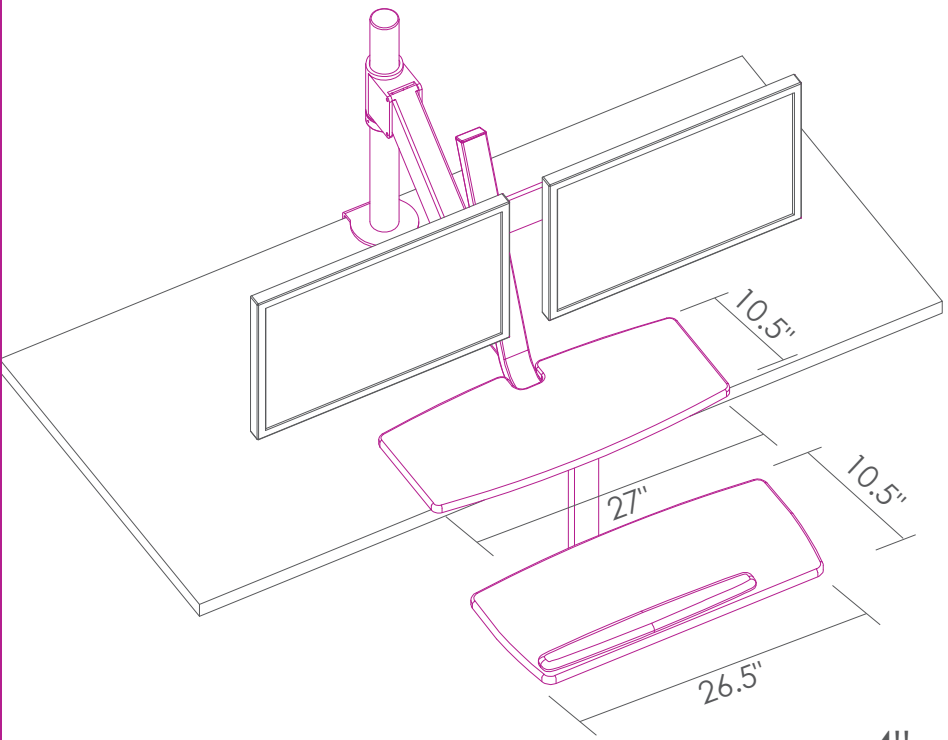
CLIMB2

\$849



Palm rest can be positioned on left or right side of keyboard platform

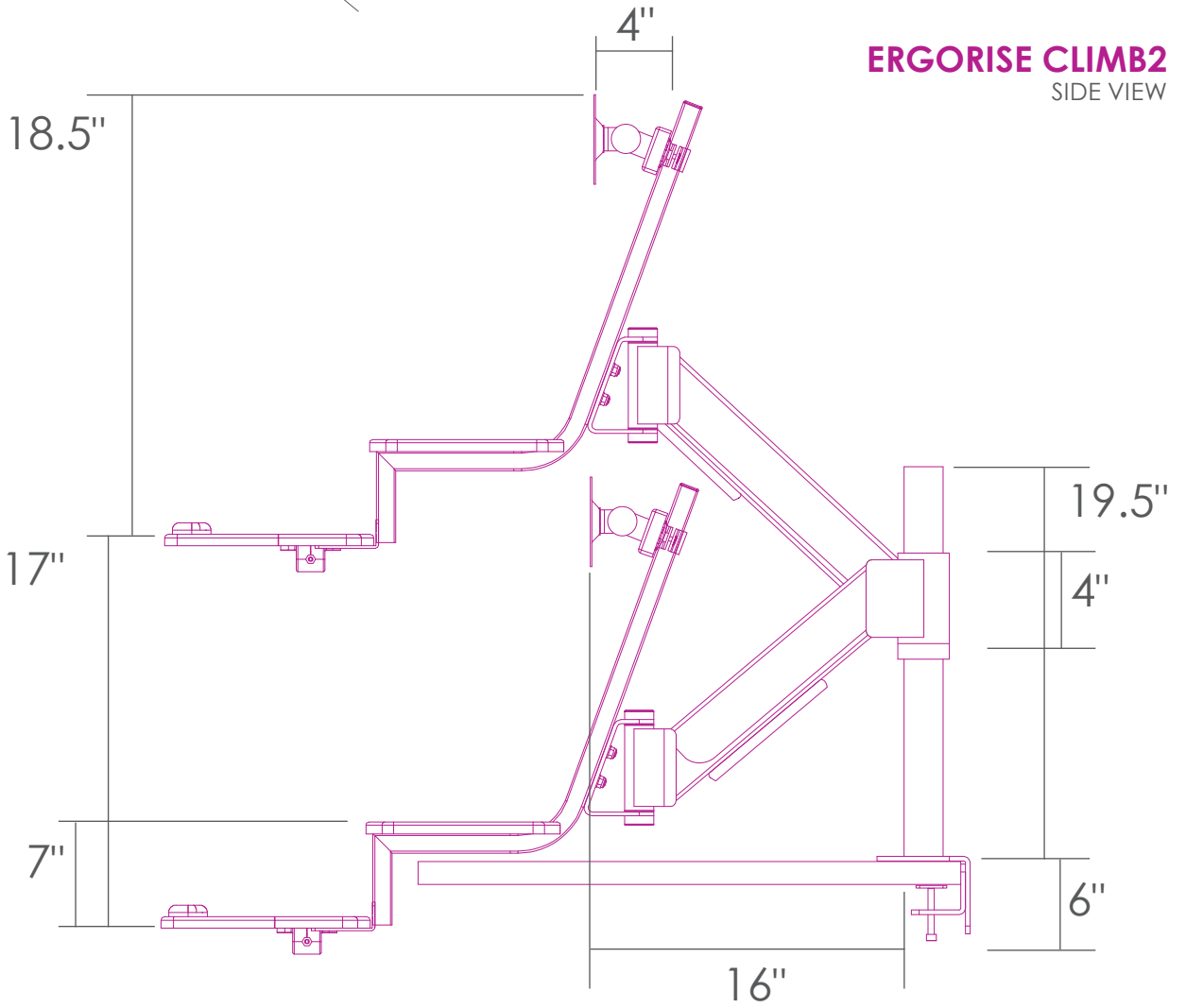




ERGORISE CLIMB2
TOP VIEW



205 Westwood Ave, Long Branch, NJ 07740
Phone: 866-94 BOARDS (26273) / (732)-222-1511
Fax: (732)-222-7088 | E-mail: sales@touchboards.com



ERGORISE CLIMB2
SIDE VIEW