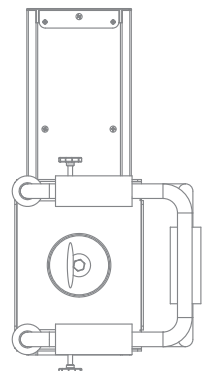
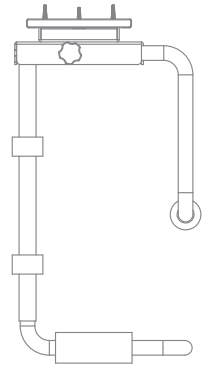
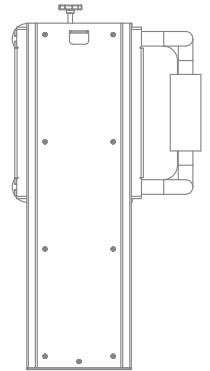
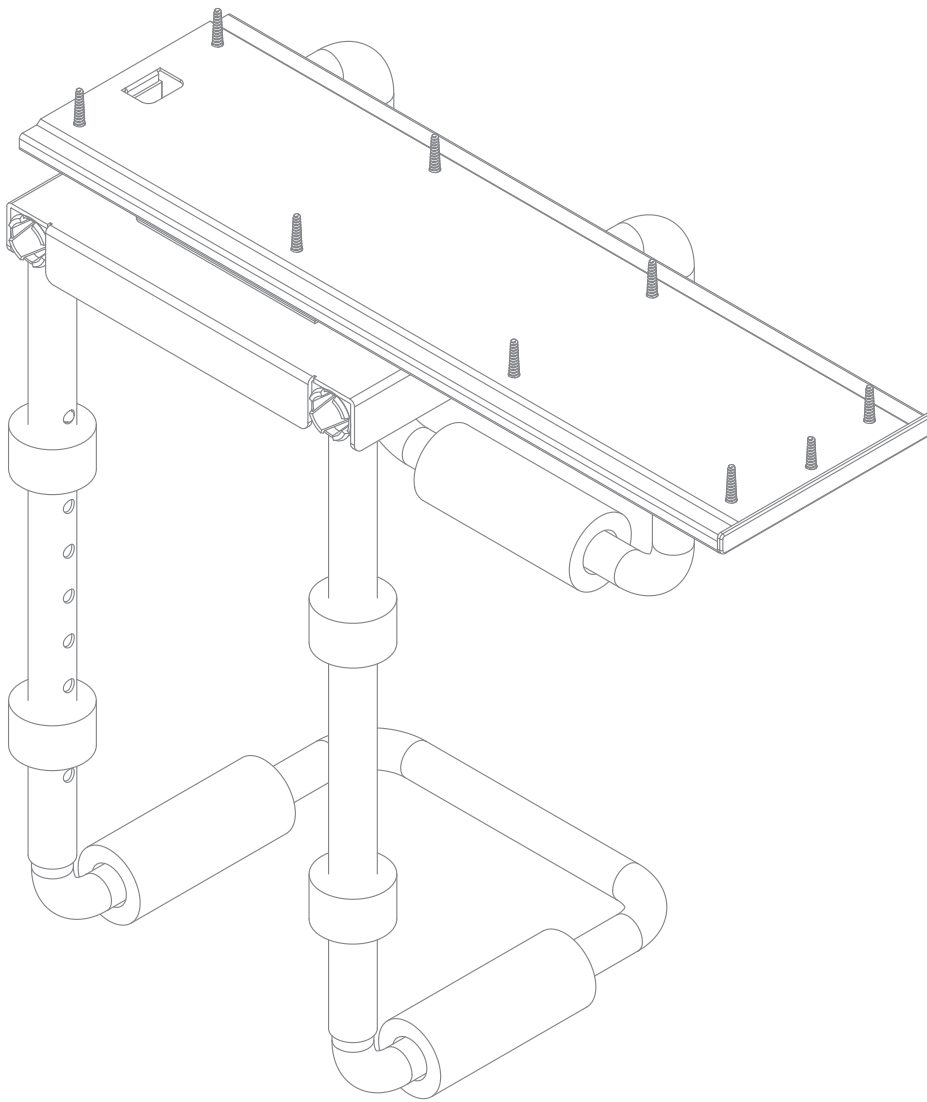


CPU05

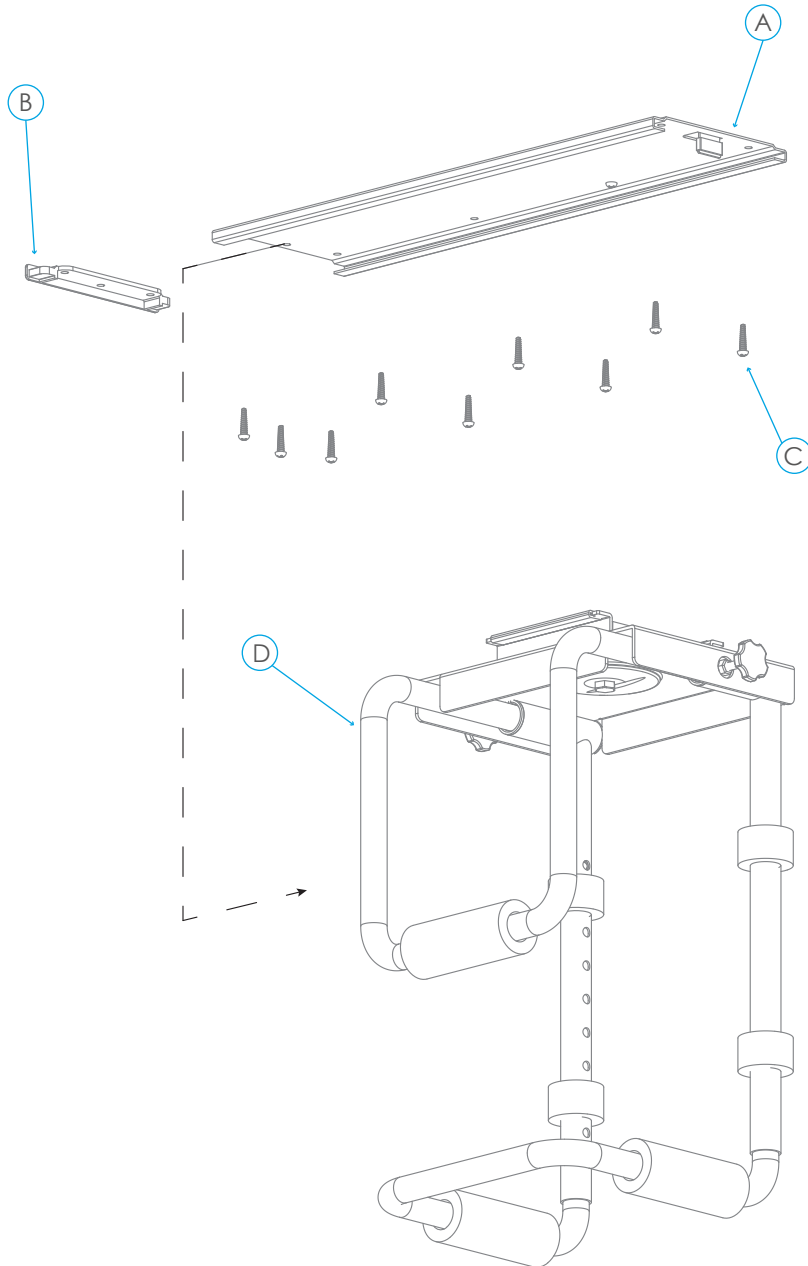
CPU HOLDER: Disassembly Instructions

CPU05 Assembled



CPU05 CPU HOLDER: Disassembly Instructions

CPU05 Disassembled



Material Identification

A: Track

- Steel 

B: Front Stop

- Plastic

C: Screws

- Steel 

E: CPU Holder

- Steel 

Recommended Tools



Gloves



Goggles



Phillips Screwdriver