



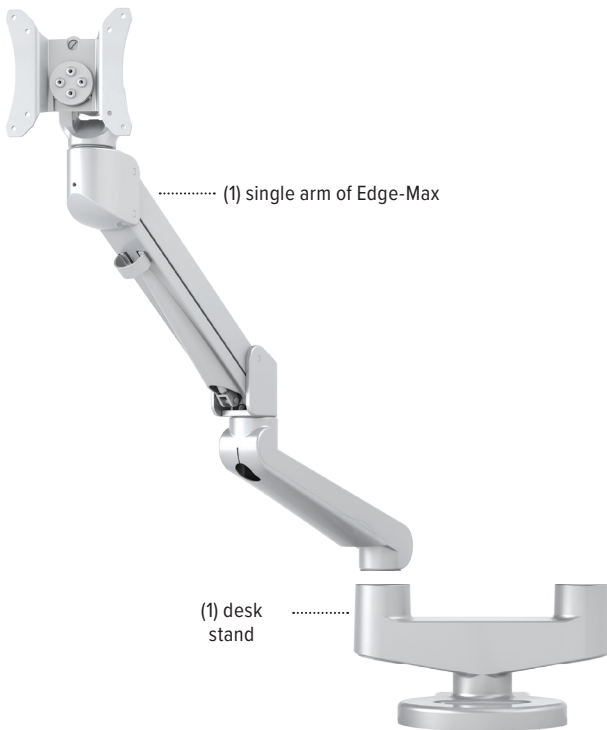
Edge-Max-Dual-Kit[®]

heavy duty conversion kit

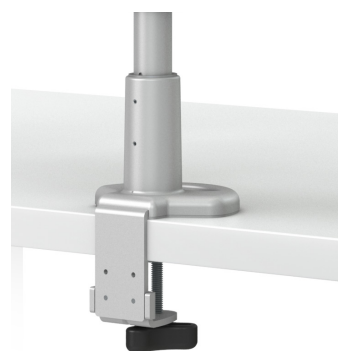
Edge-Max-Dual-Kit

heavy duty conversion kit

Kit includes:



(1) grommet mount



(1) clamp mount

Product specs

Converts an existing Edge-Max single monitor arm to the Edge-Max-Dual monitor arm

- Kit includes:
 - (1) one single arm
 - (1) one desk stand
 - (1) one clamp and grommet mount
- Finger touch dynamic height adjustment
- Weight capacity counterbalanced for heavy monitors and all-in-one computers
- 14.0" height adjustment range
 - 9.0"–23.0" (low/high)
- 22.4" arm extension
- 3.0" arm retraction
- +85°/-35° tilt
- ±90° rotation
- 17.6 lbs.–42.0 lbs. weight capacity (*per arm*)
- VESA quick release
- 180° lock-out feature
- 360° rotation at three points
- Exceeds BIFMA x5.5 requirements
- 50.0" max. monitor width (*bezel measured left to right*)
- Warranty: 15 yr.

Model

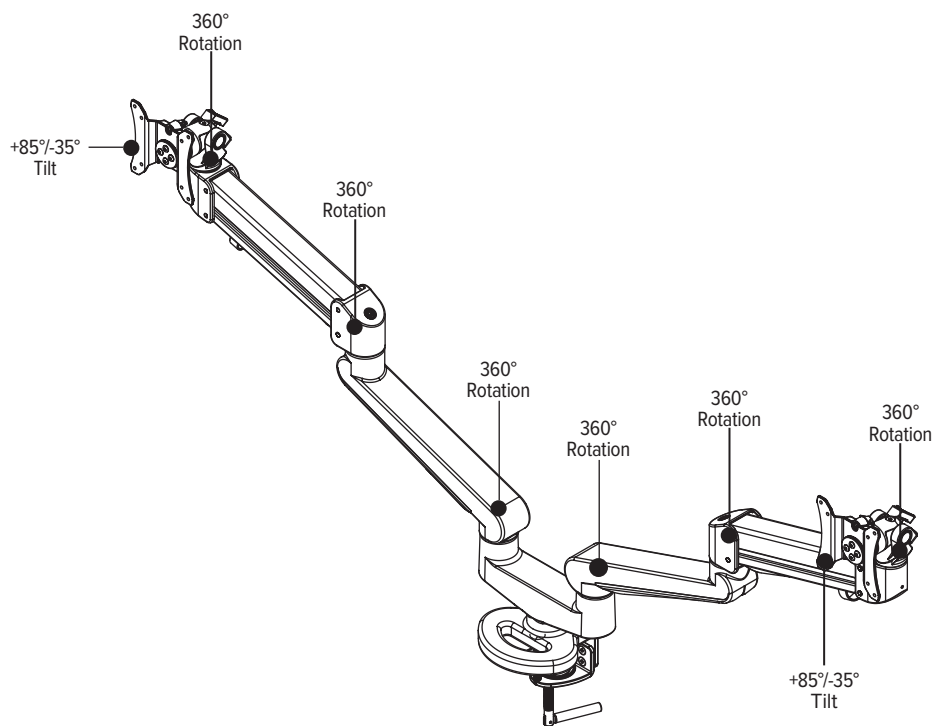
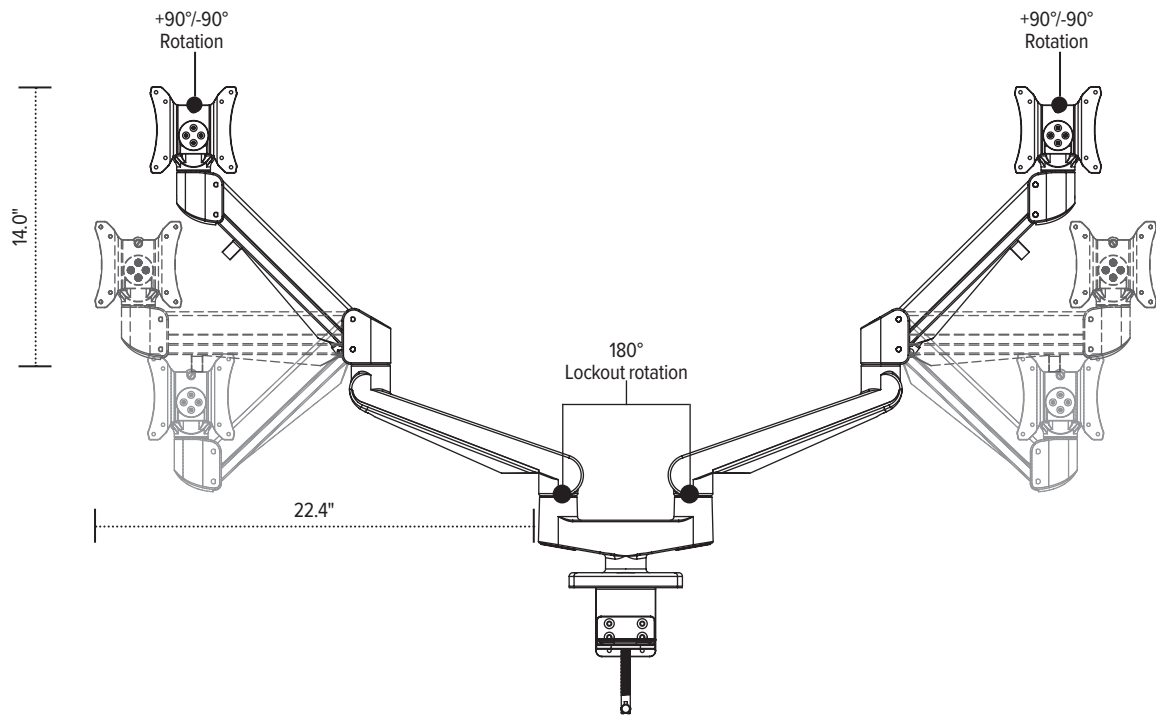
- EDGE-MAX-DUAL-KIT

esi

800.833.3746
esiergo.com

Edge-Max-Dual-Kit

heavy duty dual monitor arm



esi

800.833.3746
esiergo.com