

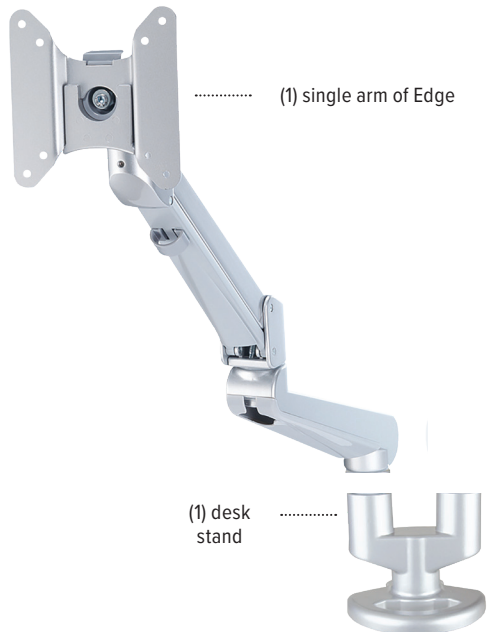
# Edge2kit<sup>®</sup>

conversion kit

# Edge2kit

conversion kit

Kit includes:



(1) grommet mount



(1) clamp mount

## Product specs

Converts an existing Edge single monitor arm to an Edge dual monitor arm

- Kit includes:
  - (1) one single arm
  - (1) one desk stand
  - (1) one clamp and grommet mount
- Finger touch dynamic height adjustment
- Recommended for worksurfaces 24.0"–36.0" deep
- 13.0" height adjustment range
  - 7.0"–20.0" (low/high)
- 22.5" arm extension
- 3.0" arm retraction
- +90°/-25° tilt
- ±90° rotation
- 6.5 lbs.–17.6 lbs. weight capacity (*per arm*)
- VESA quick release
- 180° lock-out feature
- Desk clamp and grommet mount included
- 41.5" max. monitor width (*bezel measured left to right*)
- Exceeds BIFMA x5.5 requirements
- Benching system mount(s) available. Call the Customer Service Dept for details
- Warranty: 15 yr.



## Model #

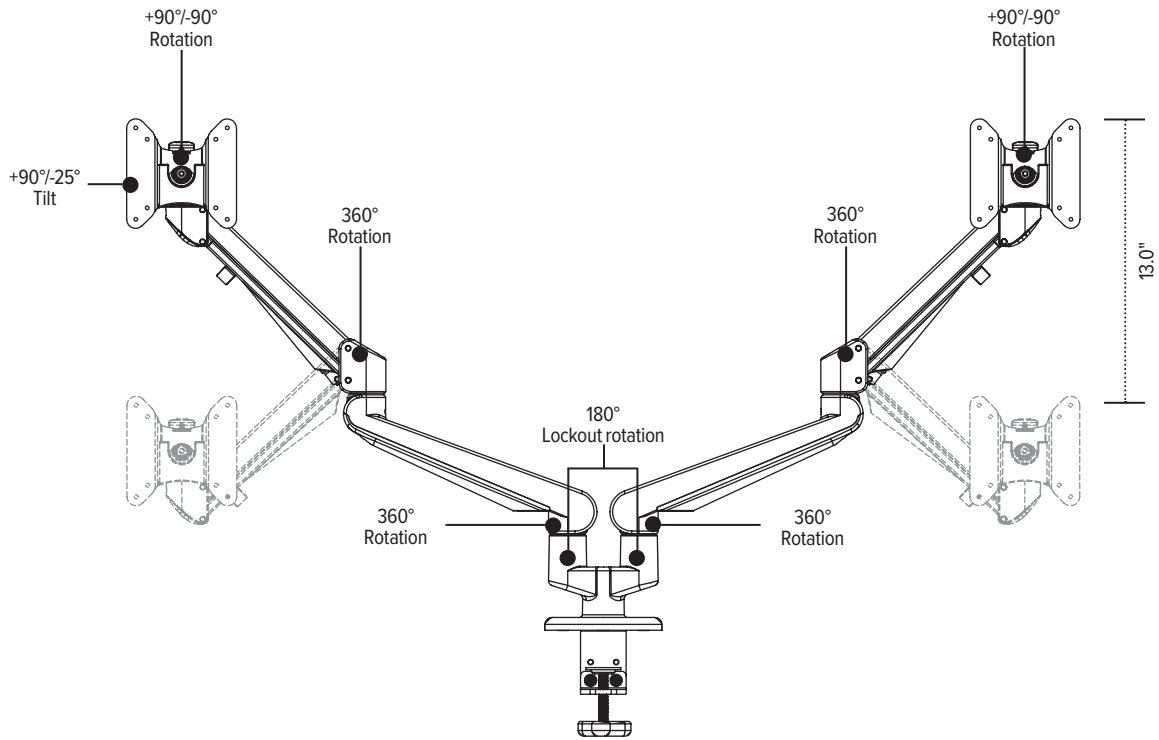
- EDGE2KIT-SLV

esi

800.833.3746  
esiergo.com

# Edge2kit

conversion kit



esi

800.833.3746  
esiergo.com