



# Monitor Arm Consideration

What to consider when selecting a monitor arm

## Number of monitors

ESI offers solutions for as few as one to as many as six monitors. Should the needs of the user change, the Evolve series can easily be modified in the field to accommodate additional monitors and changing work environments.

## Height adjustment

Monitor arms offer various types of height adjustability. The most user-friendly option is dynamic height adjustment which allows the user to adjust the monitor height quickly and easily with just the touch of a finger.

## Weight of monitor(s)

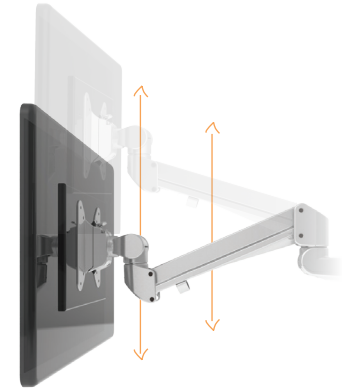
ESI's standard monitor arm configurations support the average monitor which weighs between 8-16 lbs. For heavier monitors and all-in-one PC's, ESI recommends the Edge-Max series.

## Size of monitor(s)

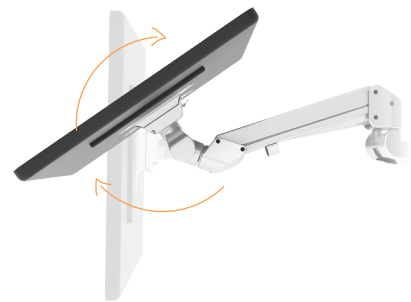
Most users prefer to have their monitors side-by-side as close as possible with no gaps between them. The versatility of the ESI Evolve series allows up to 32" monitors to fit side-by-side. Configurations that include a slider will provide additional horizontal adjustability, allowing monitors of varying sizes to fit together seamlessly.

## Size and shape of the workspace

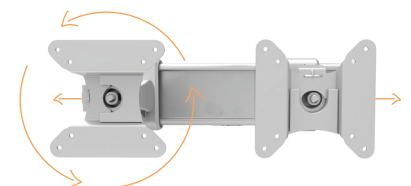
Shallow workspace depths 24.0" or less, are best suited for monitor arm configurations with fewer limbs or the Evolve slider. For applications that require extended reach, ESI recommends an Evolve configuration with multiple limbs. When positioning two or more monitors side-by-side in a 90° corner, the maximum monitor size will be reduced. Please contact our Customer Service Department to discuss your specific applications and requirements.



Motion arms move your monitor straight up and down.



VESA mounts tilt up and down, providing a flat writing surface for touch screen monitors.



Sliders move your monitor left and right while retaining monitor tilt and  $\pm 90^\circ$  monitor rotation.



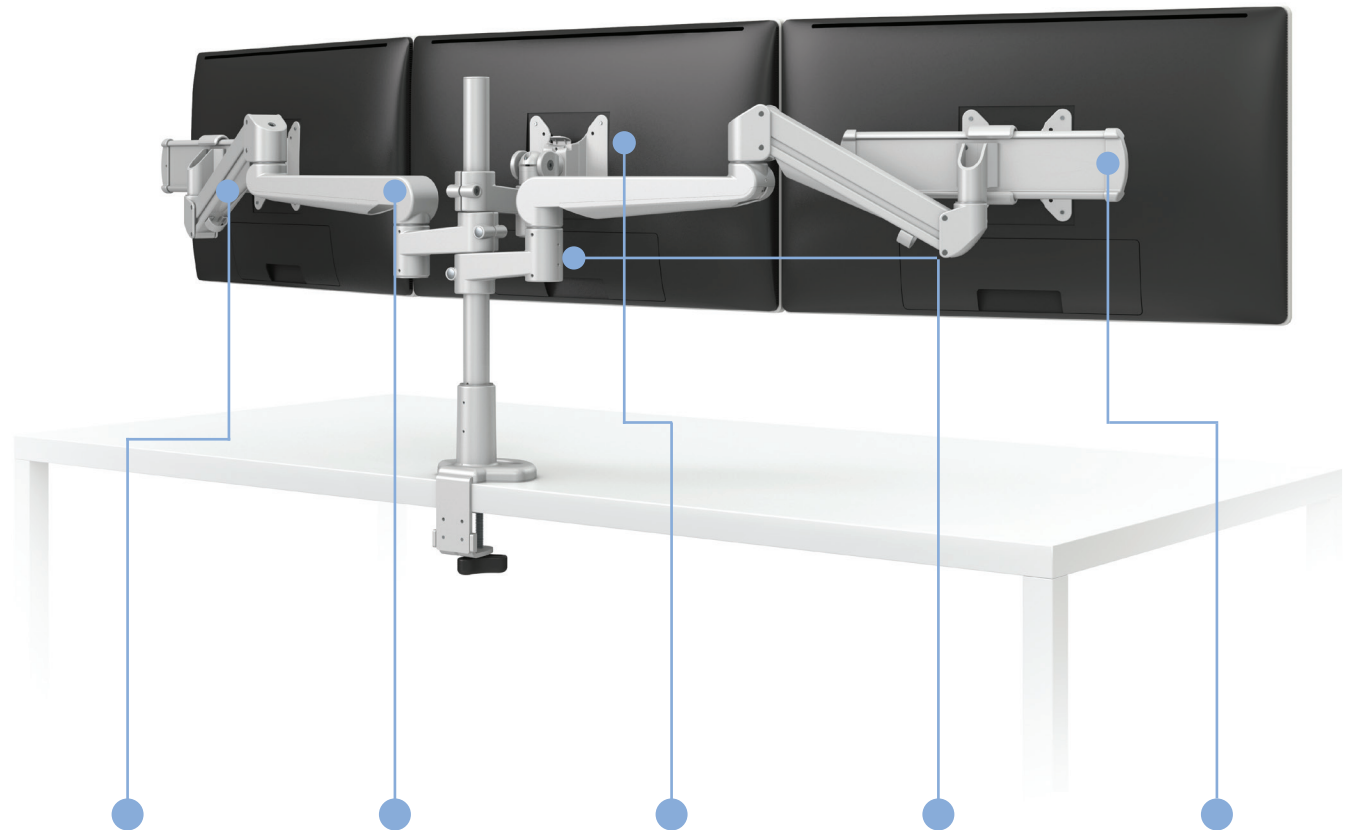
# Monitor Arm Consideration

What to consider when selecting a monitor arm



## Grow. Adapt. Evolve.

As technology advances and monitors are becoming lighter and wider, challenges are created in workstation design. The Evolve allows the merger of form and function with one product that will easily adapt to the fluidly changing needs of today's workplace. Whether you have a shallow or deep work surface, 1, 2, 3 or more monitors, the Evolve can adapt to fit your needs.



### (M) Motion MOTION ARM

Motion arms provide 13.0" of dynamic height adjustment.

### (F) Fixed STRAIGHT ARM

Fixed arms provide extra reach.

### Vesa Mount MONITOR ATTACHMENT

A Vesa mount attaches your monitor to the arm.

### Arm Stem STRAIGHT ARM

Arm stems are included in every configuration.

### (S) Slider Mount VESA SLIDER

Sliders provide extended lateral adjustment - ideal for positioning monitors of varying sizes side-by-side.