



Q Crank

crank height adjustable table base

Product specs

- Crank height adjustment
- 220 lbs. base lifting capacity
- 1.0" per two cranks adjustment speed
- 17.7" height adjustment range
 - Low: 24.8" | High: 42.5"
(excluding worksurface)
- Two stage adjustable legs
- Adjustable width frame
- Optional casters are available
- Warranty: 15yrs. structural 7yrs. mechanical



hand crank
no electricity needed



optional casters

Rectangle



Dimensions	Base model	List price	Surface model	List price
36"w x 24"d	QCRANK-24S-___	\$852	2R3624__	\$368
42"w x 24"d	QCRANK-24S-___	\$852	2R4224__	\$403
48"w x 24"d	QCRANK-24S-___	\$852	2R4824__	\$407
60"w x 24"d	QCRANK-24L-___	\$852	2R6024__	\$452
72"w x 24"d	QCRANK-24L-___	\$852	2R7224__	\$496
36"w x 30"d	QCRANK-30S-___	\$852	2R3630__	\$398
42"w x 30"d	QCRANK-30S-___	\$852	2R4230__	\$442
48"w x 30"d	QCRANK-30S-___	\$852	2R4830__	\$447
60"w x 30"d	QCRANK-30L-___	\$852	2R6030__	\$496
72"w x 30"d	QCRANK-30L-___	\$852	2R7230__	\$546

D-top



Dimensions	Base model	List price	Surface model	List price
60"w x 30"d	QCRANK-30L-___	\$852	D6030__	\$768
72"w x 30"d	QCRANK-30L-___	\$852	D7230__	\$837

Caster Kit

- Set of caster wheels for table bases
- Increases height by 2.0"
- Locking wheels for security

MODEL # CASTERKIT-QCRANK

Available base finishes

Silver -SLV

Black -BLK

LT=CALL FOR ON HAND AVAILABILITY

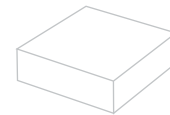
Table bases can be purchased independently or combined with a worksurface. Worksurfaces can only be purchased with a table base. See laminate guide worksurface for details. ESI worksurfaces are made to exact dimensions. If nominal sizing is needed, please specify when ordering.

Worksurface shapes - LT

Multiple worksurface shapes are available. See chart to the left for full list. Worksurfaces can be come in a variety of laminates.

Edge Detail

Worksurfaces ship with a standard square profile edge and coordinating 3mm edge band. Additional edge detail profiles are available.

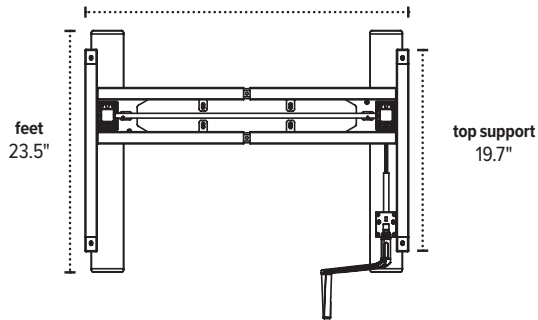


Q Crank

crank height adjustable table base

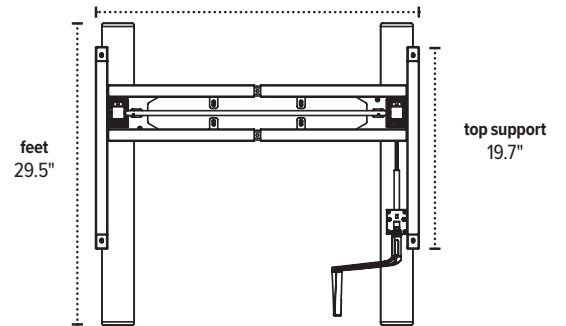
Q CRANK-24S

adjustable width frame
31.2"–47.5"



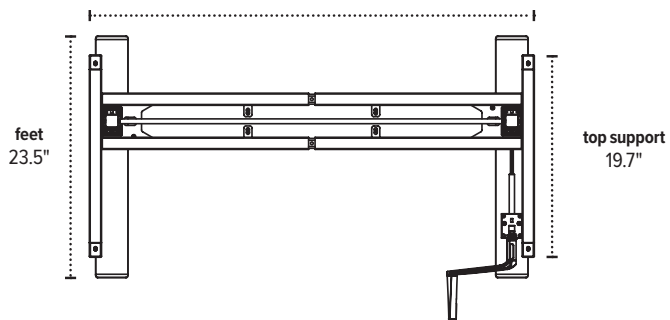
Q CRANK-30S

adjustable width frame
31.2"–47.5"



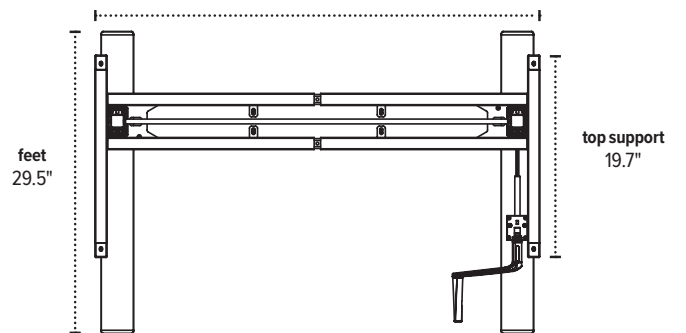
Q CRANK-24L

adjustable width frame
42.7"–71.0"



Q CRANK-30L

adjustable width frame
42.7"–71.0"



The base dimensions as shown are actual.

esi

800.833.3746
esiergo.com

© 2018 Fellowes, Inc.