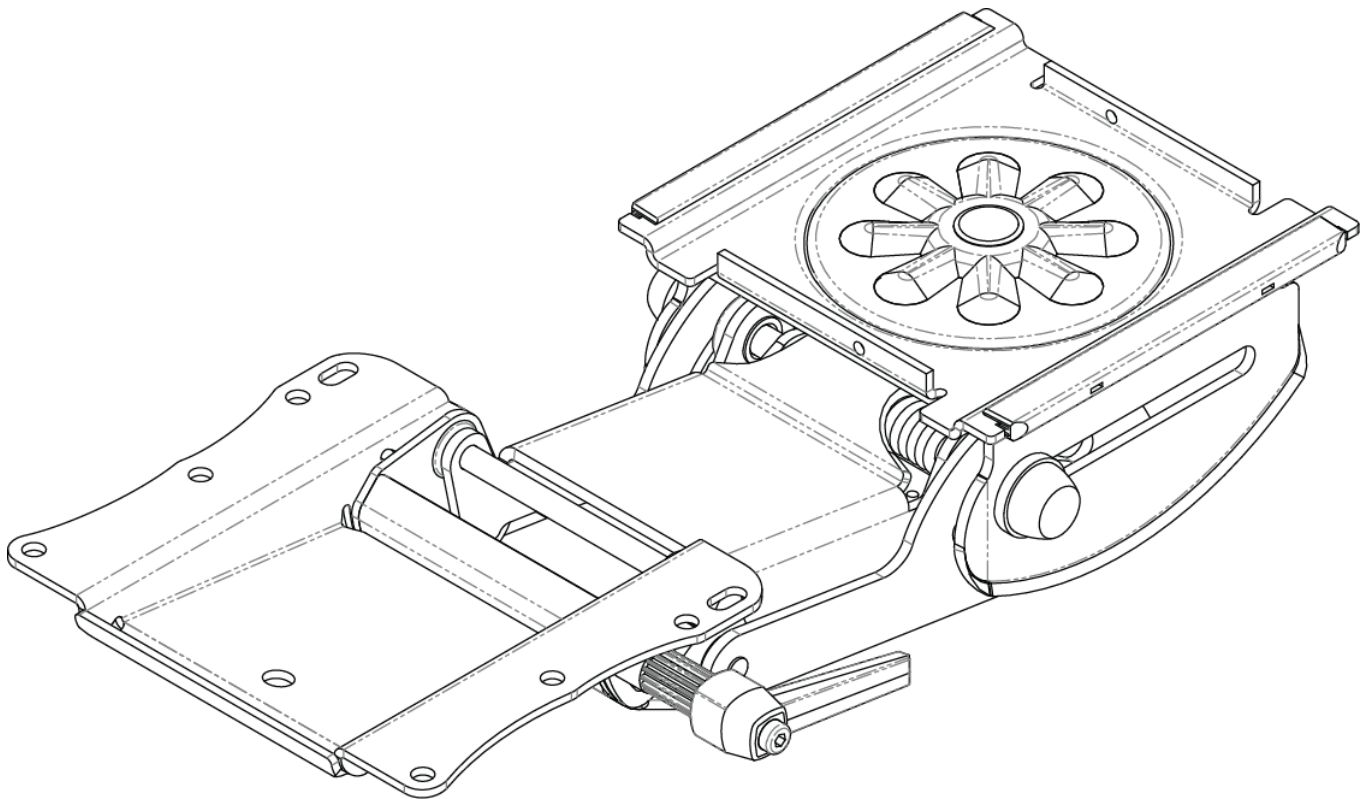


AA100

Ultra-Compact Lift & Lock Keyboard Articulating Arm – 12.25" Track



VERSION **A**
INSTRUCTION MANUAL



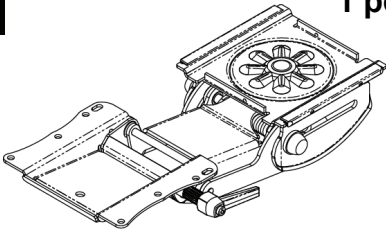
Touchboards

205 Westwood Ave, Long Branch, NJ 07740
Phone: 866-94 BOARDS (26273) / (732)-222-1511
Fax: (732)-222-7088 | E-mail: sales@touchboards.com

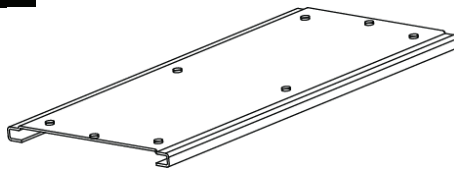


PARTS LIST

A 1 pcs



B 1 pcs



C 1 pcs



Track Extender – extra 0.5"

D 1 pcs



E 20 pcs



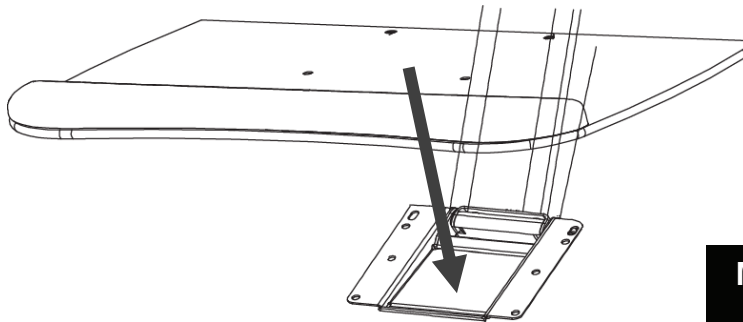
Extra Screws Included

F 1 pcs



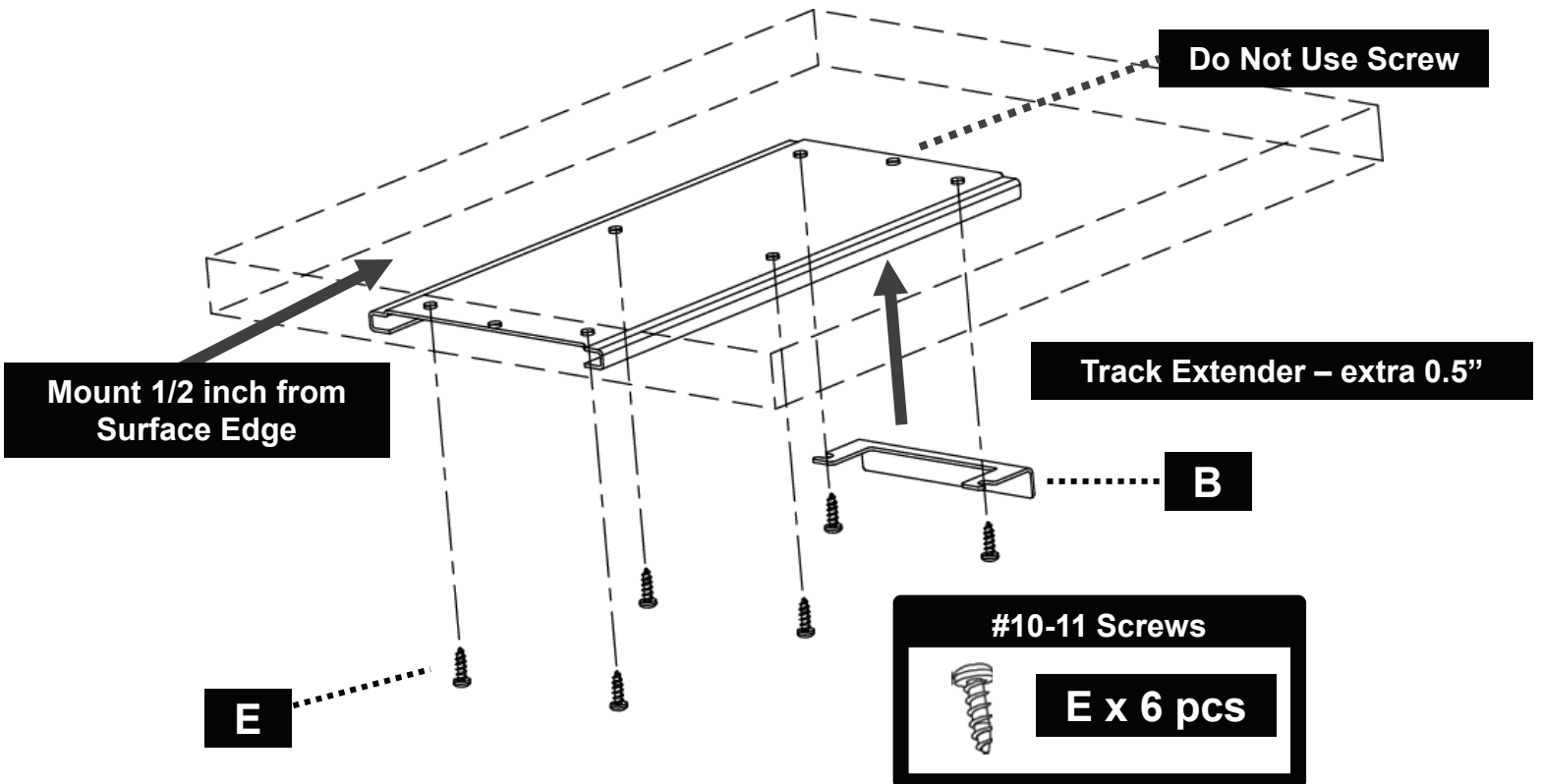
Use Bumper only if space is limited

STEP 1

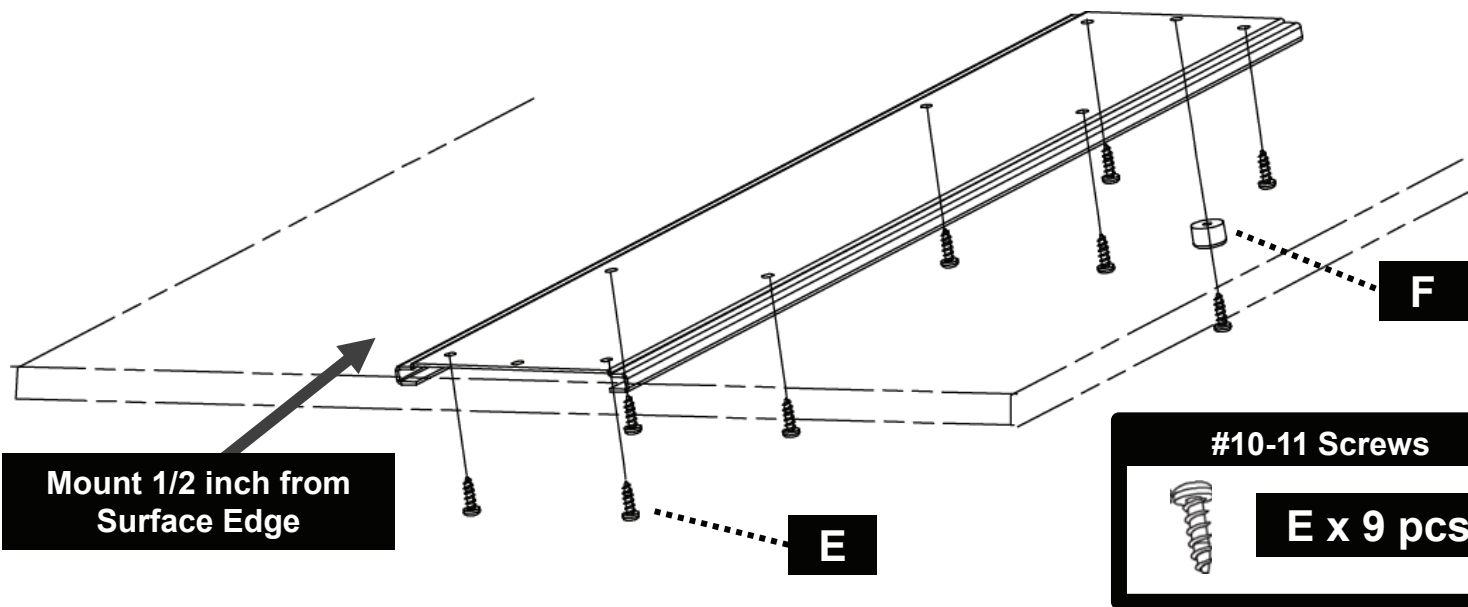


Mount Keyboard Tray as per Instructions

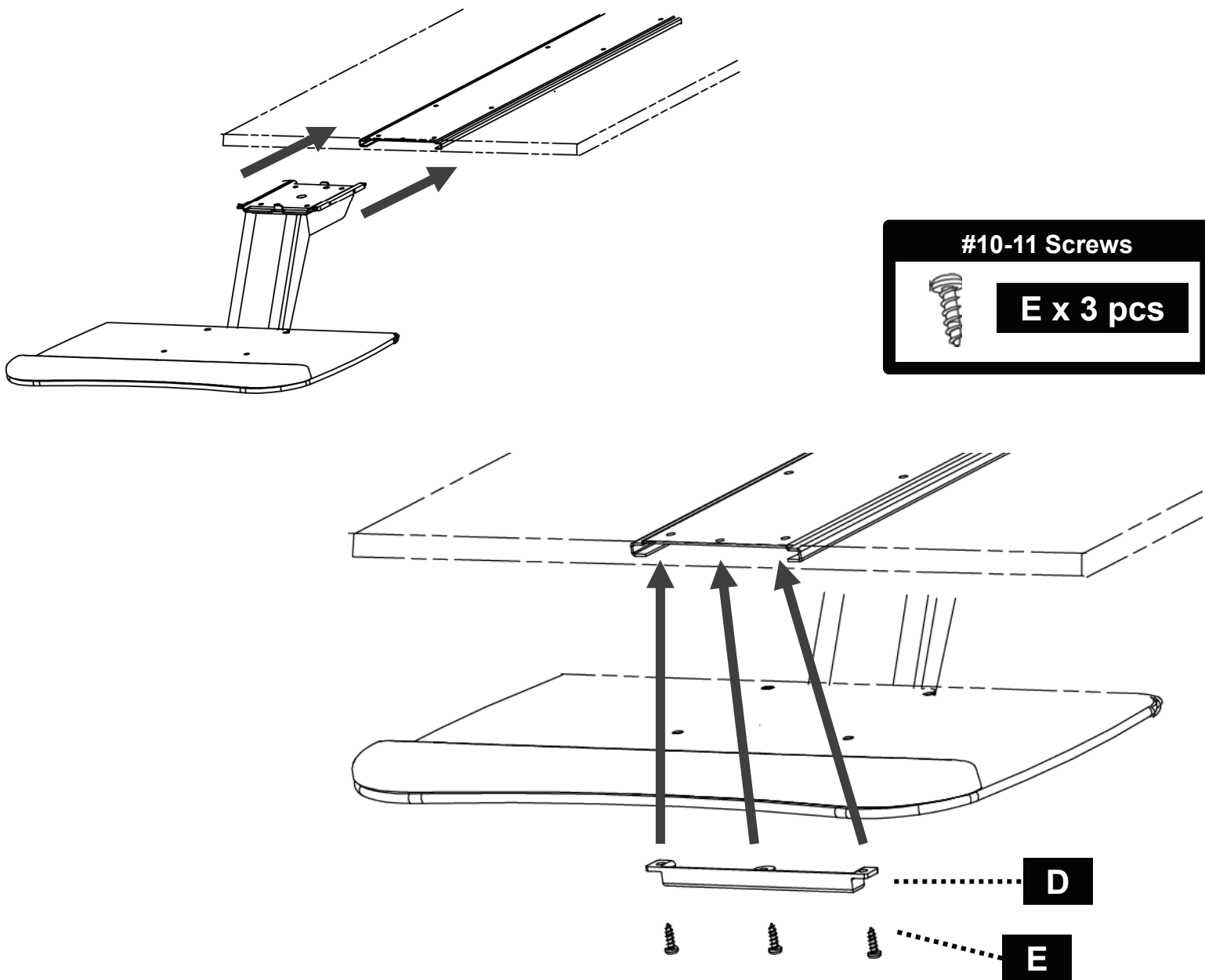
STEP 2 (OPTION A) < 14" Track or Shorter



STEP 2 (OPTION B) > 14" Track or Longer



STEP 3



Touchboards

205 Westwood Ave, Long Branch, NJ 07740

Phone: 866-94 BOARDS (26273) / (732)-222-1511

Fax: (732)-222-7088 | E-mail: sales@touchboards.com



**ergonomic
solutions**

Workplace comfort. **Simplified.**

Phone: 1-800-833-3746

Email: customerservice@esiergo.com

Web: www.esiergo.com